

KALDEWEI

RECOMMENDED RETAIL PRICE LIST EXCL. VAT UK 2022

Baths, shower surfaces and washbasins 2022, valid from 01.01.2022

KALDEWEI

Surcharges apply from
from 01.07.2022

+ 4.9 %

on bathtubs, shower surfaces
& washbasins (excluding
SANIFORM/SANIFORM PLUS/
SANIFORM V1-V4)

+ 3.2 % on accessories

KALDEWEI

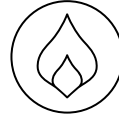
KALDEWEI was founded in 1918, and today it is the fourth generation that is devoted to the combination of steel and enamel with such passion. This was the only way to achieve an exceptional fusion that guarantees the special KALDEWEI quality and durability.

KALDEWEI STEEL ENAMEL WITH 30 YEARS GUARANTEE*

Steel and glass - two entirely authentic and natural materials, used for centuries, and each with its own inherent material properties. Steel signifies strength, toughness, robustness and optimum ductility. Glass is highly resistant to chemical or thermal stress and has an excellent appearance. KALDEWEI steel enamel combines robust steel and tough glass to form an inseparable bond harnessing the strengths of each material in perfect symbiosis. As a pioneer consistently pushing the boundaries to make the good even better, KALDEWEI has steadily advanced, refined and optimised the special formula and manufacturing processes of KALDEWEI steel enamel for almost a century now. KALDEWEI steel enamel guarantees lasting quality that remains visible, tangible and irresistible day after day.

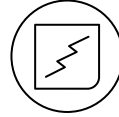
* in accordance with our current guarantee terms
www.kaldewei.com/philosophy/warranty

TOTALLY INCOMPARABLE



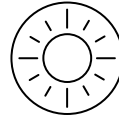
HEAT RESISTANT

Burning and smouldering objects do not leave marks on the surface.



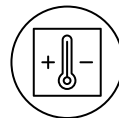
SCRATCH AND IMPACT RESISTANT

KALDEWEI steel enamel combines the inherent properties of steel and glass, making it highly resistant to mechanical stress.



UV RESISTANT

Thanks to the unique material properties of KALDEWEI steel enamel, our products retain their original colour without fading or yellowing.



DIMENSIONALLY STABLE

KALDEWEI products hardly expand at all in temperature fluctuations, thereby minimising the risk of cracked joints or damage from moisture penetration in the bathroom.



EASY TO CLEAN AND HYGIENIC

The glass-hard surface of KALDEWEI steel enamel leaves no place for dirt and bacteria to settle, meaning it is supremely hygienic and easy to clean.



CHEMICAL RESISTANT

Common household detergents, cosmetics or bath additives will not harm KALDEWEI steel enamel.



SUSTAINABLE

Bathroom products made of KALDEWEI steel enamel are produced from the natural materials glass and steel, and can be fully recycled.

MOHS SCALE

Density	1	2	3	4	5	6	7	8	9	10
Material	Tallow, candles	Plaster-board - Plaster	Synthetics, paint	Marble	Iron	Steel	Enamel, Porcelain, Glass	Topaz	Sapphire	Diamond
Wear resistance	very low		low	adequate	good		very good	exceptionally good		

SHOWER SURFACES, BATHS AND WASHBASINS

KALDEWEI STEEL ENAMEL

QUICKFINDER

ARRONDO	218
ARRONDO WITH APRON	220
ASYMMETRIC DUO	48
CAYONO/CAYONO STAR	116
CAYONO DUO	120
CAYONOPLAN	298
CAYONO S COUNTERTOP WASHBASIN	440
CAYONO UNDERCOUNTER WASHBASIN	438
CAYONO WASHBOWL	442
CENTRO DUO	50
CENTRO DUO 1 LEFT	52
CENTRO DUO 1 RIGHT	54
CENTRO DUO 2	56
CENTRO DUO OVAL	58
CENTRO INSET COUNTERTOP WASHBASIN	358
CENTRO UNDERCOUNTER WASHBASIN	362
CENTRO WALL-HUNG WASHBASIN	364
CLASSIC DUO	72
CLASSIC DUO OVAL	76
CLASSIC DUO OVAL FREESTANDING	42
CLASSIC UNDERCOUNTER WASHBASIN	390
CONO BUILT-IN DOUBLE WASHBASIN	368
CONO BUILT-IN WASHBASIN	366
CONO COUNTERTOP HANDBASIN	370
CONODUO	60
CONODUO FREESTANDING	44
CONOFLAT	180
CONO INSET COUNTERTOP WASHBASIN	372
CONO UNDERCOUNTER WASHBASIN	376
CONO WALL-HUNG DOUBLE WASHBASIN	382
CONO WALL-HUNG HANDBASIN	378
CONO WALL-HUNG WASHBASIN	380
CORNEZZA	222
DUSCHPLAN	310
DYNA SET/DYNA SET STAR	80
ELLIPSO DUO	64
ELLIPSO DUO OVAL	66
ELLIPSO DUO OVAL FREESTANDING	46
MEISTERSTÜCK CENTRO DUO 1 LEFT	24
MEISTERSTÜCK CENTRO DUO 1 RIGHT	26
MEISTERSTÜCK CENTRO DUO 2	28
MEISTERSTÜCK CENTRO DUO OVAL	22
MEISTERSTÜCK CLASSIC DUO OVAL	30
MEISTERSTÜCK CONODUO	32
MEISTERSTÜCK CONODUO 1 LEFT	34
MEISTERSTÜCK CONODUO 1 RIGHT	36
MEISTERSTÜCK CONODUO 2 FRONT	38
MEISTERSTÜCK INCAVA	40

MIENA WASHBOWL	384
MIING WASHBOWL	392
MINI LEFT/MINI STAR LEFT	122
MINI RIGHT/MINI STAR RIGHT	124
NEXSYS	172
NUEVA WASHBOWL	388
PLAZA DUO LEFT	68
PLAZA DUO RIGHT	70
PURO BUILT-IN WASHBASIN	394
PURO COUNTERTOP DOUBLE WASHBASIN (120 MM)	404
PURO COUNTERTOP HANDBASIN	398
PURO DUO	92
PURO INSET COUNTERTOP WASHBASIN	400
PURO INSET COUNTER- TOP WASHBASIN (120 MM)	402
PURO/PURO STAR	84
PURO/PURO STAR WITH SIDE OVERFLOW	88
PURO SET WIDE LEFT	94
PURO SET WIDE RIGHT	96
PURO S INSET COUNTERTOP WASHBASIN	408
PURO UNDERCOUNTER WASHBASIN	412
PURO WALL-HUNG DOUBLE WASHBASIN	420
PURO WALL-HUNG HANDBASIN	414
SANIDUSCH	324
SANIFORM LOW LINE	126
SANIFORM PLUS/SANIFORM PLUS STAR	130
SANIFORM/SANIFORM STAR	128
SANIFORM V1-V4/SANIFORM V1-V4 STAR	138
SCONA	224
SILENIO	98
SILENIO BUILT-IN DOUBLE WASHBASIN	424
SILENIO BUILT-IN WASHBASIN	422
SILENIO COUNTERTOP DOUBLE WASHBASIN (120 MM)	430
SILENIO INSET COUNTERTOP WASHBASIN	426
SILENIO UNDERCOUNTER WASHBASIN	432
SILENIO WALL-HUNG DOUBLE WASHBASIN	436
SILENIO WALL-HUNG WASHBASIN	434
SUPERPLAN	246
SUPERPLAN PLUS	202
SUPERPLAN ZERO	270
VAIO 6/VAIO 6 STAR	114
VAIO DUO	102
VAIO DUO 6	104
VAIO DUO 8	106
VAIO DUO OVAL	108
VAIO SET/VAIO SET STAR	110
VAIO/VAIO STAR	100
XETIS	212
ZIRKON	330

DESIGN THAT LASTS FOR A LONG TIME IS ON THE CUTTING EDGE

DIRECTOR OF DESIGN CHRISTIAN BÜTTNER

As a premium manufacturer, we share the passion for luxurious and high-quality bathrooms with you. Love for detail unites us equally. We would be happy to support you in achieving the greatest success in your projects so that you and your customers will always be happy with your choice. Year after year, we select the best ideas to enhance our range.

Design is good when it fits in well with spaces and naturally enhances them without being dominant. We are sure that with this price list you will again be able to choose from an abundance of premium products to create an attractive and elegant ambience in your residential properties.

For over 100 years and now in the fourth generation, KALDEWEI has focused on sustainability. Our products are made of steel enamel – this guarantees special advantages: a very long service life of 30 to 50 years and 100 percent return to the material cycle without any loss of quality or quantity. In addition, the material offers all the properties needed to allow it to be designed in a modern way. We are convinced: In the bathroom, steel enamel is more in tune with the times than ever before.

The highest recognition for us is when you install our products because you are convinced by them and make the premium bathrooms of this world a little more sustainable along with us. Luxsustainable Bathroom Solutions is our offer to you. Modern and contemporary luxury must include sustainable thinking, management and action in order to be convincing in the long term.



In 2021 we took another step together with our supplier Thyssen Krupp and have ordered the first low-emission steel from their bluemint series®. For the first time in the history of the sanitary industry, a KALDEWEI Edition will be manufactured in 2022 from a still very limited amount of steel, which is achieved by means of a 70% reduction in CO₂ emissions. The KALDEWEI products made of climate-friendly steel are offered in the “nature protect” segment. We want to make you an offer for your sustainable planning with this.



KALDEWEI
nature protect

The past few years have challenged us all and have also brought about a reconsideration of health-related issues. In this price list, we provide a wonderful answer to an increased demand for wellness products: Our new Body-and-Soul whirl systems combine wellness enjoyment with elegant design. With the focus on maximum customer benefit, we have designed new functions with intuitive and easy-to-use spas which are also ideal for the hotel sector. Our preconfigured whirlpool baths offer architects, retailers and tradesmen efficient access to the range.

Our latest masterpiece is the enamelled SUPERPLAN ZERO shower surface, a model family that stands for precision and elegance. The step-free access and the extremely precise corner radii allow the elegant shower surface to shine alongside the tiles. An extra-spacious standing area with a barely perceptible slope and the waste close to the wall create a lot of space for movement. An installation system has been developed for professionals, which saves a lot of time with low installation heights and large-format versions.

I would like to thank you on behalf of the entire KALDEWEI team for your trust and I would be delighted if we can inspire you again and again and are successful together.

Warmest regards,
Christian Büttner

*The origins of steel and glass,
including steel enamel, are
minerals, natural stone and sand.*

BATHING

Page 22 - 137

Ⓜ	MEISTERSTÜCK CENTRO DUO OVAL	22 - 23
	MEISTERSTÜCK CENTRO DUO 1 LEFT	24 - 25
	MEISTERSTÜCK CENTRO DUO 1 RIGHT	26 - 27
	MEISTERSTÜCK CENTRO DUO 2	28 - 29
	FRONT WALL INSTALLATION (3-SIDED)	
	MEISTERSTÜCK CLASSIC DUO OVAL	30 - 31
	MEISTERSTÜCK CONODUO	32 - 33
	MEISTERSTÜCK CONODUO 1 LEFT	34 - 35
	MEISTERSTÜCK CONODUO 1 RIGHT	36 - 37
	MEISTERSTÜCK CONODUO 2	38 - 39
	FRONT WALL INSTALLATION (3-SIDED)	
	MEISTERSTÜCK INCAVA	40 - 41
	CLASSIC DUO OVAL FREESTANDING	42 - 43
	CONODUO FREESTANDING	44 - 45
	ELLIPSO DUO OVAL FREESTANDING	46 - 47
◆◆◆	ASYMMETRIC DUO	48 - 49
	CENTRO DUO	50 - 51
	CENTRO DUO 1 LEFT	52 - 53
	CENTRO DUO 1 RIGHT	54 - 55
	CENTRO DUO 2	56 - 57
	CENTRO DUO OVAL	58 - 59
	CONODUO	60 - 63
	ELLIPSO DUO	64 - 65
	ELLIPSO DUO OVAL	66 - 67
	PLAZA DUO LEFT	68 - 69
	PLAZA DUO RIGHT	70 - 71
◆◆◇	CLASSIC DUO	72 - 75
	CLASSIC DUO OVAL	76 - 79
	DYNA/SET DYNA SET STAR	80 - 83
	PURO/PURO STAR	84 - 87
	PURO/PURO STAR WITH SIDE OVERFLOW	88 - 91
	PURO DUO	92 - 93
	PURO SET WIDE LEFT	94 - 95
	PURO SET WIDE RIGHT	96 - 97
	SILENIO	98 - 99
	VAIO/VAIO STAR	100 - 101
	VAIO DUO	102 - 103
	VAIO DUO 6	104 - 105
	VAIO DUO 8	106 - 107
	VAIO DUO OVAL	108 - 109
	VAIO SET/VAIO SET STAR	110 - 113
	VAIO 6/VAIO 6 STAR	114 - 115
◆◇◇	CAYONO/CAYONO STAR	116 - 119
	CAYONO DUO	120 - 121
	MINI LEFT/MINI STAR LEFT	122 - 123
	MINI RIGHT/MINI STAR RIGHT	124 - 125
	SANIFORM/SANIFORM STAR	126 - 127
	SANIFORM PLUS/SANIFORM PLUS STAR	128 - 135
	SANIFORM V1-V4/SANIFORM V1-V4 STAR	136 - 137

KALDEWEI PROFESSIONAL

Page 140 - 145




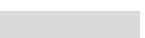





INFLOW/OUTFLOW TECHNOLOGY	
WATERFALL BATH INLET	140
WATERFALL BATH INLET WITH INTEGRATED OVERFLOW	141
COMFORT LEVEL / COMFORT LEVEL PLUS	142
SPECIAL WASTE AND OVERFLOW FITTING	143
BATHTUB ACCESSORIES	
SELECTION TABLE FOR WASTE AND OVERFLOW FITTINGS: BATHS	144
SHOWER ACCESSORIES	
SHOWER HOSE	146
DESIGN GRIPS	
GRIP DISCREET OPULENCE AVANTGARDE	147
GRIP ELEGANT PURISM AVANTGARDE	147
GRIP DISCREET OPULENCE AMBIENTE	148
GRIP ELEGANT PURISM AMBIENTE	148
SILENCE PLUS	
BATH SOUND INSULATING SET BWS	149
BATH SOUND INSULATING SET BWS PLUS	149
BATH SOUND-ABSORBING SET BW-ADS	149
CONNECTION SOUND INSULATION STRIP WAS 70	149
WATERPROOF	
SEALING KIT FLEX	149
PANELLING SYSTEMS	
BAKO PANELLING SYSTEM FOR SANIFORM PLUS	150
LEG SET	
LEG SET BATHTUBS	145
BATH SECURING DEVICE	
BATH SECURING DEVICE	145
ADDITIONAL CHARGE FOR REQUESTED BORE HOLES	
ADDITIONAL CHARGE FOR REQUESTED BORE HOLES	145

KALDEWEI PERFECTION

Page 152 - 153

SURFACES	
ANTI-SLIP SURFACES	152
PARTIAL ANTI-SLIP AND FULL ANTI-SLIP	152
EXEMPLARY REPRESENTATION OF PARTIAL ANTI-SLIP/FULL ANTI-SLIP DESIGNS ON ENAMELLED BATHTUBS	152
EASY-CLEAN FINISH	153
COLOUR & STYLE	
COLOUR OVERVIEW FOR BATHS	17

KEY

								
Bathing	Showering	Washbasins	Accessories	Meisterstücke and freestanding bathtubs	System S	Avantgarde	Ambiente	Advantage

KALDEWEI SOLUTIONS BATHS MADE OF KALDEWEI STEEL ENAMEL


KALDEWEI EXPERIENCE		Page 153 - 156
LIGHTING SYSTEMS		
LIGHTING SET FOR BATHS		153
SOUND SYSTEMS		
SOUND WAVE		154
BATH COVER		
RELAX LOUNGER		155
CUSHIONS		
MULTIFUNCTIONAL CUSHIONS		156
BATH CUSHION		156

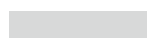
KALDEWEI SPA		Page 158 - 171
WELLNESS PRODUCTS		
SKIN TOUCH		158
EXTRA CHARGE KALDEWEI SKIN TOUCH		159
WHIRLPOOL SYSTEMS		160
WHIRLPOOL BATHTUB SETS		162
MULTIVERSO PANELLING SYSTEM FOR WHIRL BATHS		170

KEY

 Bathing

 Showering

 Washbasins

 Accessories

 Meisterstücke
and freestanding
bathtubs

 System S

 Avantgarde

 Ambiente

 Advantage

KALDEWEI SOLUTIONS SHOWER SURFACES AND SHOWER TRAYS MADE OF KALDEWEI STEEL ENAMEL

SHOWERING

page 172 - 335

Ⓢ	NEXSYS	172 - 179
◆◆◆	CONOFLAT	180 - 197
	SUPERPLAN PLUS	202 - 211
	XETIS	212 - 215
◆◆◇	ARRONDO	218 - 219
	ARRONDO WITH APRON	220 - 221
	CORNEZZA	222 - 223
	SCONA	224 - 245
	SUPERPLAN	246 - 269
	SUPERPLAN ZERO	270 - 297
◆◇◇	CAYONOPLAN	298 - 309
	DUSCHPLAN	310 - 323
	SANIDUSCH	324 - 329
	ZIRKON	330 - 335

KALDEWEI PROFESSIONAL

Page 336 - 352

INSTALLATION

INSTALLATION SYSTEMS FOR SHOWER TRAYS AND ENAMELLED SHOWER SURFACES	336
TOTAL HEIGHTS AND FITTING HEIGHTS	337
INSTALLATION SYSTEM ESR FLOOR-LEVEL - PLANNING	338
INSTALLATION SYSTEM ESR FLOOR-LEVEL	339
INSTALLATION SYSTEME ESR FLOOR-LEVEL	340
EXTENSION SET FOR ESR II / FR 5300 FLEX / FR 5300 FLEX PLUS	340
SHOWER TRAY FOOT FRAME FR 5300 FLEX	341
XETIS INSTALLATION SOLUTION FOOT FRAME FR 5350 XETIS	343
XETIS INSTALLATION SETS 1, 2 OR 3	344
SYSTEMBOARD NEXSYS SBN	345
SHOWER TRAY FEET	346
BATH SECURING DEVICE	347

CENTRAL SUPPORT SYSTEMS

XETIS INSTALLATION SOLUTION MAS 5305 CENTRAL SUPPORT SYSTEM ..	344
CENTRAL SUPPORT SYSTEMS	346

SUPPLY AND WASTE TECHNOLOGY

WASTE FITTING KA 200	344
WASTE FITTINGS KA 90	348
WASTE FITTINGS KA 120	349
WASTE COVER	350

SILENCE PLUS

SOUND-ABSORBING PADS	351
SHOWER TRAY SOUND-ABSORBING SET	351
CERTIFIED SOUND INSULATION SOLUTION XETIS	351

WATERPROOF

SEALING KIT FLOOR-LEVEL	352
SEALING KIT FLEX	352
SEALING MATERIAL	352
CUT PROTECTION TAPE	352
XETIS SEALING SYSTEM XDS	352

KALDEWEI PERFECTION

Page 353 - 356

SURFACES

PARTIAL ANTI-SLIP AND FULL ANTI-SLIP	353
EXEMPLARY REPRESENTATION OF PARTIAL ANTI-SLIP/FULL ANTI-SLIP DESIGNS ON ENAMELLED SHOWER SURFACES	353
ANTI-SLIP SECURE PLUS	355
EASY-CLEAN FINISH	356

COLOUR & STYLE

COLOUR OVERVIEW FOR SHOWER TRAYS	18
--	----

KALDEWEI CARE

Page 357

REINIGUNG & PFLEGE

EMAILLE-SET	357
ENAMEL PEN	357
ENAMEL CLEANING	357
CLEANING PEN	357

KEY



Bathing



Showering



Washbasins



Accessories



Meisterstücke
and freestanding
bathtubs



System S



Avantgarde



Ambiente



Advantage

WASHBASINS

Page 358 - 443

◆◆◆	CENTRO INSET COUNTERTOP WASHBASIN (40 MM) . . .	358 - 359
	CENTRO INSET COUNTERTOP WASHBASIN (120 MM) . . .	360 - 361
	CENTRO UNDERCOUNTER WASHBASIN	362 - 363
	CENTRO WALL-HUNG WASHBASIN	364 - 365
	CONO WALL-HUNG WASHBASIN	366 - 367
	CONO BUILT-IN DOUBLE WASHBASIN	368 - 369
	CONO COUNTERTOP HANDBASIN	370 - 371
	CONO INSET COUNTERTOP WASHBASIN (40 MM)	372 - 373
	CONO INSET COUNTERTOP WASHBASIN (120 MM)	374 - 375
	CONO UNDERCOUNTER WASHBASIN	376 - 377
	CONO WALL-HUNG HANDBASIN	378 - 379
	CONO WALL-HUNG WASHBASIN	380 - 381
	CONO WALL-HUNG DOUBLE WASHBASIN	382 - 383
	MIENA WASHBOWL	384 - 387
	NUEVA WASHBOWL	388 - 389
◆◆◇	CLASSIC UNDERCOUNTER WASHBASIN	390 - 391
	MING WASHBOWL	392 - 393
	PURO WALL-HUNG WASHBASIN	394 - 395
	PURO BUILT-IN DOUBLE WASHBASIN	396 - 397
	PURO COUNTERTOP HANDBASIN	398 - 399
	PURO INSET COUNTERTOP WASHBASIN (40 MM)	400 - 401
	PURO INSET COUNTERTOP WASHBASIN (120 MM)	402 - 403
	PURO COUNTERTOP DOUBLE WASHBASIN (120 MM)	404 - 407
	PURO S INSET COUNTERTOP WASHBASIN (40 MM)	408 - 409
	PURO S INSET COUNTERTOP WASHBASIN (120 MM)	410 - 411
	PURO UNDERCOUNTER WASHBASIN	412 - 413
	PURO WALL-HUNG HANDBASIN	414 - 415
	PURO WALL-HUNG WASHBASIN	416 - 417
	PURO WALL-HUNG DOUBLE WASHBASIN	418 - 421
	SILENIO WALL-HUNG WASHBASIN	422 - 423
	SILENIO BUILT-IN DOUBLE WASHBASIN	424 - 425
	SILENIO INSET COUNTERTOP WASHBASIN (40 MM)	426 - 427
	SILENIO INSET COUNTERTOP WASHBASIN (120 MM)	428 - 429
	SILENIO COUNTERTOP DOUBLE WASHBASIN (120 MM)	430 - 431
	SILENIO UNDERCOUNTER WASHBASIN	432 - 433
	SILENIO WALL-HUNG WASHBASIN	434 - 435
	SILENIO WALL-HUNG DOUBLE WASHBASIN	436 - 437
◆◇◇	CAYONO UNDERCOUNTER WASHBASIN	438 - 439
	CAYONO S INSET COUNTERTOP WASHBASIN	440 - 441
	CAYONO WASHBOWL	442 - 443

KALDEWEI PROFESSIONAL

Page 444 - 450

INFLOW/OUTFLOW TECHNOLOGY

CLOU WASTE AND OVERFLOW SYSTEM FOR LEVER OPERATION POP-UP WASTE	444
CLOU WASTE AND OVERFLOW SYSTEM WITH CABLE OPERATED POP-UP WASTE AND DECK MOUNTED CONTROL KNOB	445
PUSH-TO-OPEN WASTE WITH CHROME COVER	448
DESIGNER BOTTLE TRAP	448
DESIGN OVERFLOW COVER	448

FREE-FLOW WASTE

FREE-FLOW WASTE WITH ENAMELLED COVER	446
CHROME-PLATED BRASS PERMANENT WASTE VALVE	446
HAIR CATCHER	447

ACCESSOIRES

BUILT-IN SOAP DISPENSER	449
-----------------------------------	-----

INSTALLATION

Page 448

ADDITIONAL CHARGE FOR REQUESTED BORE HOLES	448
--	-----



KALDEWEI PERFECTION

Page 19

COLOUR & STYLE

COLOUR OVERVIEW FOR WASHBASINS	19
--	----

KEY

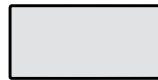
								
Bathing	Showering	Washbasins	Accessories	Meisterstücke and freestanding bathtubs	System S	Avantgarde	Ambiente	Advantage

BATHS PROGRAMME



RECTANGULAR

Dimension	Depth	Mod.-No.	Model	Page
1400 x 700	400	360-1/330	SANIFORM PLUS/STAR	128-129
1500 x 700	400	361-1/331	SANIFORM PLUS/STAR	128-129
	400	747/753	CAYONO/STAR	116-117
1600 x 700	400	748/754	CAYONO/STAR	116-117
	420	103	CLASSIC DUO	72-73
	420	626/627	DYNA SET/STAR	80-81
	410	683/685	PURO/STAR	84-85
	410	684/686	PURO/STAR WITH SIDE OVERFLOW	88-89
	400	362-1/332	SANIFORM PLUS/STAR	128-129
	400	362-1/332	SANIFORM V1-V4/STAR	136-137
	420	956/957	VAIO SET/STAR	110-111
1700 x 700	400	749/755	CAYONO/STAR	116-117
	420	105	CLASSIC DUO	72-73
	410	687/689	PURO/STAR	84-85
	410	688/690	PURO/STAR	88-89
	400	363-1/335	SANIFORM PLUS/STAR	130-131
	420	944/945	VAIO SET/STAR	110-111
1700 x 730	400	371-1/334	SANIFORM PLUS/STAR	130-131
1400 x 750	470	366/344	SANIFORM PLUS/STAR	134-135
1500 x 750	420	624/625	DYNA SET/STAR	80-81
1600 x 750	400	372-1/333	SANIFORM PLUS/STAR	130-131
	470	367/345	SANIFORM PLUS/STAR	134-135
1700 x 750	400	750/756	CAYONO/STAR	118-119
	400	724	CAYONO DUO	120-121
	460	132	CENTRO DUO	50-51
	420	107	CLASSIC DUO	72-73
	420	1732	MEISTERSTÜCK CONODUO	32-33
	420	1702	MEISTERSTÜCK CONODUO 1 LEFT	34-35
	420	1712	MEISTERSTÜCK CONODUO 1 RIGHT	36-37
	420	1722	MEISTERSTÜCK CONODUO 2	38-39
	420	732	CONODUO	60-61
	420	620/621	DYNA SET/STAR	82-83
	410	652/654	PURO/STAR	84-85
	410	656/658	PURO/STAR	88-89
	410	663	PURO DUO	92-93
	380	668	PURO SET WIDE LEFT	94-95
	380	667	PURO SET WIDE RIGHT	96-97
	400	373-1/336	SANIFORM PLUS/STAR	132-133
	400	674	SILENIO	98-99
	420	954/955	VAIO SET/STAR	112-113



RECTANGULAR

Dimension	Depth	Mod.-No.	Model	Page
1750 x 750	420	374/338	SANIFORM/STAR	126-127
1750 x 760	425	1174	MEISTERSTÜCK INCAVA	40-41
1800 x 750	420	109	CLASSIC DUO	74-75
1700 x 800	400	740	ASYMMETRIC DUO	48-49
	410	691/693	PURO/STAR	86-87
	410	692/694	PURO/STAR	90-91
	420	960/961	VAIO/STAR	100-101
1800 x 800	400	751/757	CAYONO/STAR	118-119
	400	725	CAYONO DUO	120-121
	460	133	CENTRO DUO	50-51
	420	110	CLASSIC DUO	74-75
	420	733	CONODUO	60-61
	420	1733	MEISTERSTÜCK CONODUO	32-33
	420	1703	MEISTERSTÜCK CONODUO 1 LEFT	34-35
	420	1713	MEISTERSTÜCK CONODUO 1 RIGHT	36-37
	420	1723	MEISTERSTÜCK CONODUO 2	38-39
	420	622/623	DYNA SET/STAR	82-83
	410	653/655	PURO/STAR	86-87
	410	657/659	PURO/STAR	90-91
	410	664	PURO DUO	92-93
	420	375-1/337	SANIFORM PLUS/STAR	132-133
	425	676	SILENIO	98-99
	420	950	VAIO DUO	102-103
	420	946/947	VAIO SET/STAR	112-113
1800 x 900	400	742	ASYMMETRIC DUO	48-49
1900 x 900	420	114	CLASSIC DUO	74-75
	420	734-7	CONODUO FREESTANDING	44-45
	420	734	CONODUO	62-63
	410	696/698	PURO/STAR	86-87
	410	697/699	PURO/STAR	90-91
	410	665	PURO DUO	92-93
	425	678	SILENIO	98-99
1900 x 1000	400	744	ASYMMETRIC DUO	48-49
	440	230	ELLIPSO DUO	64-65
2000 x 1000	420	735-7	CONODUO FREESTANDING	44-45
	420	735	CONODUO	62-63

BATHS PROGRAMME



OVAL

Dimension	Depth	Mod.-No.	Model	Page
1600 x 700	420	112	CLASSIC DUO OVAL	76-77
1700 x 700	420	116	CLASSIC DUO OVAL	76-77
1700 x 750	460	1127	MEISTERSTÜCK CENTRO DUO OVAL	22-23
	460	127	CENTRO DUO OVAL	58-59
	420	113-7	CLASSIC DUO OVAL FREESTANDING	42-43
	420	113	CLASSIC DUO OVAL	76-77
	420	1113	MEISTERSTÜCK CLASSIC DUO OVAL	30-31
1800 x 800	460	1128	MEISTERSTÜCK CENTRO DUO OVAL	22-23
	460	128	CENTRO DUO OVAL	58-59
	420	113-7	CLASSIC DUO OVAL FREESTANDING	42-43
	420	111	CLASSIC DUO OVAL	78-79
	420	1111	MEISTERSTÜCK CLASSIC DUO OVAL	30-31
1900 x 1000	440	232-7	ELLIPSO DUO OVAL FREESTANDING	46-47
	440	232	ELLIPSO DUO OVAL	66-67

SPECIAL FORMS

Dimension	Depth	Mod.-No.	Model	Page
1570 x 700/475	420	834/835	MINI/STAR RIGHT	124-125
	420	836/837	MINI/STAR LEFT	122-123
1570 x 750/500	420	830/831	MINI/STAR RIGHT	124-125
	420	832/833	MINI/STAR LEFT	122-123
1700 x 750	460	131	CENTRO DUO 2	56-57
	460	1131	MEISTERSTÜCK CENTRO DUO 2	28-29
	460	129	CENTRO DUO 1 LEFT	52-53
	460	130	CENTRO DUO 1 RIGHT	54-55
	460	1129	MEISTERSTÜCK CENTRO DUO 1 LEFT	24-25
	460	1130	MEISTERSTÜCK CENTRO DUO 1 RIGHT	26-27
1800 x 800	460	135	CENTRO DUO 2	56-57
	460	1135	MEISTERSTÜCK CENTRO DUO 2	28-29
	460	136	CENTRO DUO 1 LEFT	52-53
	460	137	CENTRO DUO 1 RIGHT	54-55
	460	1136	MEISTERSTÜCK CENTRO DUO 1 LEFT	24-25
	460	1137	MEISTERSTÜCK CENTRO DUO 1 RIGHT	26-27

CORNER

Dimension	Depth	Mod.-No.	Model	Page
1800 x 1200/800	420	192	PLAZA DUO LEFT	68-69
	420	190	PLAZA DUO RIGHT	70-71



HEXAGONAL

Dimension	Depth	Mod.-No.	Model	Page
2100 x 800	420	952	VAIO DUO 6	104-105
1900 x 900	420	958/959	VAIO 6/STAR	114-115



OCTAGONAL

Dimension	Depth	Mod.-No.	Model	Page
1800 x 800	420	953	VAIO DUO 8	106-107

SHOWER TRAY PROGRAMME AND ENAMELLED SHOWER SURFACES



SQUARE

Dimension	Depth	Mod.-No.	Model	Page	
700 x 700	20	1550	SUPERPLAN ZERO	270-271	
700 x 750	140	540	SANIDUSCH	324-325	
750 x 800	65	554	DUSCHPLAN	310-311	
	140	548	SANIDUSCH	324-325	
	250	558	SANIDUSCH	328-329	
	23	908	SCONA	224-225	
	25	385	SUPERPLAN	246-247	
	20	1512	SUPERPLAN ZERO	270-271	
800 x 800	18	2251	CAYONOPLAN	298-299	
	23	852	CONOFLAT	180-181	
	65	542	DUSCHPLAN	310-311	
	12	2610	NEXSYS	174-175	
	14	395	SANIDUSCH	324-325	
	250	495	SANIDUSCH	328-329	
	23	911	SCONA	224-225	
	25	386	SUPERPLAN	246-247	
	25	469	SUPERPLAN PLUS	202-203	
	20	1516	SUPERPLAN ZERO	270-271	
700 x 850	140	541	SANIDUSCH	324-325	
	20	1514	SUPERPLAN ZERO	270-271	
700 x 900	65	547	DUSCHPLAN	310-311	
	140	539	SANIDUSCH	324-325	
	23	940	SCONA	224-225	
	25	400	SUPERPLAN	246-247	
	20	1518	SUPERPLAN ZERO	272-273	
750 x 900	18	2253	CAYONOPLAN	298-299	
	23	853	CONOFLAT	180-181	
	65	543	DUSCHPLAN	312-313	
	140	549	SANIDUSCH	324-325	
	250	559	SANIDUSCH	328-329	
	23	912	SCONA	224-225	
	25	387	SUPERPLAN	248-249	
	20	1520	SUPERPLAN ZERO	272-273	
800 x 900	23	780	CONOFLAT	180-181	
	65	544	DUSCHPLAN	312-313	
	14	2611	NEXSYS	174-175	
	140	551	SANIDUSCH	326-327	
	23	941	SCONA	226-227	
	25	388	SUPERPLAN	248-249	
	20	1520	SUPERPLAN ZERO	272-273	
900 x 900	18	2254	CAYONOPLAN	298-299	
	23	783	CONOFLAT	182-183	
	65	545	DUSCHPLAN	312-313	
	16	2612	NEXSYS	172-173	
	140	396	SANIDUSCH	326-327	
	250	496	SANIDUSCH	328-329	
	23	913	SCONA	226-227	
	25	390	SUPERPLAN	248-249	
	25	475	SUPERPLAN PLUS	202-203	
	20	1520	SUPERPLAN ZERO	272-273	
	45	885	XETIS	212-213	
	700 x 1000	20	1526	SUPERPLAN ZERO	274-275
	750 x 1000	18	2255	CAYONOPLAN	298-299
65		416	DUSCHPLAN	314-315	
23		942	SCONA	226-227	
25		402	SUPERPLAN	250-251	
25		476	SUPERPLAN PLUS	202-203	
20		1528	SUPERPLAN ZERO	274-275	



SQUARE

Dimension	Depth	Mod.-No.	Model	Page
800 x 1000	18	2256	CAYONOPLAN	300-301
	23	781	CONOFLAT	182-183
	65	546	DUSCHPLAN	314-315
	16	2613	NEXSYS	174-175
	140	550	SANIDUSCH	326-327
	23	914	SCONA	226-227
	25	398	SUPERPLAN	250-251
	25	477	SUPERPLAN PLUS	204-205
	20	1530	SUPERPLAN ZERO	274-275
	900 x 1000	18	2257	CAYONOPLAN
23		784	CONOFLAT	182-183
65		418	DUSCHPLAN	314-315
16		2614	NEXSYS	176-177
23		915	SCONA	228-229
25		404	SUPERPLAN	250-251
25		478	SUPERPLAN PLUS	204-205
20		1532	SUPERPLAN ZERO	274-275
1000 x 1000	18	2258	CAYONOPLAN	300-301
	23	786	CONOFLAT	184-185
	65	392	DUSCHPLAN	316-317
	18	2615	NEXSYS	172-173
	140	397	SANIDUSCH	326-327
	23	916	SCONA	228-229
	25	391	SUPERPLAN	252-253
	25	479	SUPERPLAN PLUS	204-205
	20	1534	SUPERPLAN ZERO	276-277
	45	886	XETIS	212-213
700 x 1100	20	1536	SUPERPLAN ZERO	276-277
750 x 1100	18	2259	CAYONOPLAN	300-301
	20	1538	SUPERPLAN ZERO	276-277
800 x 1100	23	787	CONOFLAT	184-185
	23	943	SCONA	228-229
	20	1540	SUPERPLAN ZERO	276-277
900 x 1100	23	788	CONOFLAT	184-185
	65	419	DUSCHPLAN	316-317
	18	2616	NEXSYS	176-177
	23	963	SCONA	228-229
	25	405	SUPERPLAN	252-253
	25	480	SUPERPLAN PLUS	206-207
	20	1542	SUPERPLAN ZERO	278-279
1000 x 1100	23	854	CONOFLAT	186-187
	23	964	SCONA	230-231
	20	1544	SUPERPLAN ZERO	278-279
1100 x 1100	20	1546	SUPERPLAN ZERO	278-279
700 x 1200	18	2260	CAYONOPLAN	302-303
	65	415	DUSCHPLAN	316-317
	23	965	SCONA	230-231
	25	401	SUPERPLAN	252-253
	25	481	SUPERPLAN PLUS	206-207
	20	1548	SUPERPLAN ZERO	278-279
	750 x 1200	18	2261	CAYONOPLAN
65		417	DUSCHPLAN	318-319
23		966	SCONA	230-231
25		403	SUPERPLAN	254-255
25		482	SUPERPLAN PLUS	206-207
20		1550	SUPERPLAN ZERO	280-281

SHOWER TRAY PROGRAMME AND ENAMELLED SHOWER SURFACES

SQUARE

Dimension	Depth	Mod.-No.	Model	Page	
800 x 1200	18	2262	CAYONOPLAN	302-303	
	23	782	CONOFLAT	186-187	
	65	555	DUSCHPLAN	318-319	
	22	2617	NEXSYS	172-173	
	140	552	SANIDUSCH	326-327	
	23	917	SCONA	230-231	
	25	389	SUPERPLAN	254-255	
	25	483	SUPERPLAN PLUS	208-209	
	20	1552	SUPERPLAN ZERO	280-281	
	45	887	XETIS	212-213	
900 x 1200	18	2263	CAYONOPLAN	302-303	
	23	785	CONOFLAT	186-187	
	65	420	DUSCHPLAN	318-319	
	22	2618	NEXSYS	172-173	
	23	918	SCONA	232-233	
	25	406	SUPERPLAN	254-255	
	25	484	SUPERPLAN PLUS	208-209	
	20	1554	SUPERPLAN ZERO	280-281	
	45	888	XETIS	212-213	
	1000 x 1200	23	789	CONOFLAT	188-189
65		421	DUSCHPLAN	320-321	
22		2619	NEXSYS	172-173	
23		967	SCONA	232-233	
25		407	SUPERPLAN	256-257	
25		485	SUPERPLAN PLUS	208-209	
20		1556	SUPERPLAN ZERO	280-281	
45		889	XETIS	212-213	
1100 x 1200		20	1558	SUPERPLAN ZERO	282-283
		23	790	CONOFLAT	188-189
1200 x 1200	65	422	DUSCHPLAN	320-321	
	20	2620	NEXSYS	176-177	
	23	968	SCONA	232-233	
	25	399	SUPERPLAN	256-257	
	25	486	SUPERPLAN PLUS	210-211	
	20	1560	SUPERPLAN ZERO	282-283	
	45	890	XETIS	212-213	
	700 x 1300	20	1562	SUPERPLAN ZERO	282-283
20		1564	SUPERPLAN ZERO	282-283	
800 x 1300	25	2264	CAYONOPLAN	304-305	
	23	791	CONOFLAT	188-189	
	23	969	SCONA	232-233	
	20	1566	SUPERPLAN ZERO	284-285	
900 x 1300	23	792	CONOFLAT	190-191	
	22	2621	NEXSYS	176-177	
	23	970	SCONA	234-235	
	25	438	SUPERPLAN	258-259	
	20	1568	SUPERPLAN ZERO	284-285	
1000 x 1300	23	793	CONOFLAT	190-191	
	23	972	SCONA	234-235	
	20	1570	SUPERPLAN ZERO	284-285	
	700 x 1400	65	423	DUSCHPLAN	324-325
23		974	SCONA	234-235	
39		408	SUPERPLAN	258-259	
20		1572	SUPERPLAN ZERO	284-285	
750 x 1400	65	425	DUSCHPLAN	324-325	
	23	975	SCONA	234-235	
	40	410	SUPERPLAN	258-259	
	20	1574	SUPERPLAN ZERO	286-287	

SQUARE

Dimension	Depth	Mod.-No.	Model	Page	
800 x 1400	25	2266	CAYONOPLAN	304-305	
	23	794	CONOFLAT	190-191	
	24	2622	NEXSYS	178-179	
	23	976	SCONA	236-237	
	40	446	SUPERPLAN	258-259	
	20	1576	SUPERPLAN ZERO	286-287	
	45	891	XETIS	214-215	
	900 x 1400	25	2267	CAYONOPLAN	304-305
		23	795	CONOFLAT	192-193
		26	2623	NEXSYS	174-175
23		919	SCONA	236-237	
43		429	SUPERPLAN	260-261	
1000 x 1400	20	1578	SUPERPLAN ZERO	286-287	
	45	892	XETIS	214-215	
	23	796	CONOFLAT	192-193	
	65	427	DUSCHPLAN	322-323	
	26	2624	NEXSYS	174-175	
700 x 1500	23	977	SCONA	236-237	
	43	412	SUPERPLAN	260-261	
	20	1580	SUPERPLAN ZERO	286-287	
	45	893	XETIS	214-215	
	23	978	SCONA	236-237	
750 x 1500	39	433	SUPERPLAN	260-261	
	20	1582	SUPERPLAN ZERO	288-289	
	25	2270	CAYONOPLAN	304-305	
800 x 1500	23	979	SCONA	238-239	
	40	435	SUPERPLAN	260-261	
	20	1584	SUPERPLAN ZERO	288-289	
	25	2271	CAYONOPLAN	306-307	
900 x 1500	23	855	CONOFLAT	192-193	
	23	982	SCONA	238-239	
	40	447	SUPERPLAN	262-263	
	20	1586	SUPERPLAN ZERO	288-289	
	25	2272	CAYONOPLAN	306-307	
	23	856	CONOFLAT	194-195	
	23	983	SCONA	238-239	
	43	439	SUPERPLAN	262-263	
1000 x 1500	20	1588	SUPERPLAN ZERO	288-289	
	23	857	CONOFLAT	194-195	
	23	984	SCONA	238-239	
	43	442	SUPERPLAN	262-263	
	20	1590	SUPERPLAN ZERO	290-291	
1500 x 1500	52	494	SUPERPLAN PLUS	210-211	
	20	1592	SUPERPLAN ZERO	290-291	
700 x 1600	23	985	SCONA	240-241	
	39	431	SUPERPLAN	262-263	
	20	1594	SUPERPLAN ZERO	290-291	
750 x 1600	25	2275	CAYONOPLAN	306-307	
	23	858	CONOFLAT	194-195	
	23	986	SCONA	240-241	
	40	436	SUPERPLAN	264-265	
	20	1596	SUPERPLAN ZERO	290-291	
800 x 1600	25	2276	CAYONOPLAN	306-307	
	23	859	CONOFLAT	196-197	
	28	2625	NEXSYS	178-179	
	23	987	SCONA	240-241	
	40	448	SUPERPLAN	264-265	
	20	1598	SUPERPLAN ZERO	292-293	

SHOWER TRAY PROGRAMME AND ENAMELLED SHOWER SURFACES



SQUARE

Dimension	Depth	Mod.-No.	Model	Page
900 x 1600	23	860	CONOFLAT	196-197
	30	2626	NEXSYS	176-177
	23	988	SCONA	240-241
	43	440	SUPERPLAN	264-265
	20	1600	SUPERPLAN ZERO	292-293
1000 x 1600	23	861	CONOFLAT	196-197
	28	2627	NEXSYS	178-179
	23	989	SCONA	242-243
	43	443	SUPERPLAN	264-265
	20	1602	SUPERPLAN ZERO	292-293
700 x 1700	25	2278	CAYONOPLAN	308-309
	65	424	DUSCHPLAN	322-323
	23	991	SCONA	242-243
	47	409	SUPERPLAN	266-267
	20	1604	SUPERPLAN ZERO	292-293
750 x 1700	25	2279	CAYONOPLAN	308-309
	23	862	CONOFLAT	198-199
	30	2628	NEXSYS	178-179
	65	426	DUSCHPLAN	322-323
	23	993	SCONA	242-243
	47	411	SUPERPLAN	266-267
	20	1606	SUPERPLAN ZERO	294-295
800 x 1700	47	456	SUPERPLAN	266-267
	20	1608	SUPERPLAN ZERO	294-295



SQUARE

Dimension	Depth	Mod.-No.	Model	Page
900 x 1700	23	863	CONOFLAT	198-199
	30	2629	NEXSYS	178-179
	24	994	SCONA	242-243
	51	430	SUPERPLAN	266-267
	20	1610	SUPERPLAN ZERO	294-295
	45	894	XETIS	214-215
	1000 x 1700	23	864	CONOFLAT
23		995	SCONA	244-245
51		444	SUPERPLAN	266-267
20		1612	SUPERPLAN ZERO	294-295
45		895	XETIS	214-215
800 x 1800	23	865	CONOFLAT	200-201
	23	996	SCONA	244-245
	47	437	SUPERPLAN	268-269
	20	1614	SUPERPLAN ZERO	296-297
900 x 1800	23	866	CONOFLAT	200-201
	23	997	SCONA	244-245
	51	441	SUPERPLAN	268-269
	20	1616	SUPERPLAN ZERO	296-297
	45	896	XETIS	214-215
1000 x 1800	23	867	CONOFLAT	200-201
	23	998	SCONA	244-245
	51	445	SUPERPLAN	268-269
	20	1618	SUPERPLAN ZERO	296-297
	45	897	XETIS	214-215

SHOWER TRAY PROGRAMME AND ENAMELLED SHOWER SURFACES



QUARTER-CIRCULAR

Dimension	Depth	Mod.-No.	Model	Page
900 x 750	35	501	ZIRKON	330-331
800 x 800	35	600	ZIRKON	332-333
	65	511	ZIRKON	334-335
900 x 800	35	603	ZIRKON	330-331
1000 x 800	35	605	ZIRKON	330-331
750 x 900	35	502	ZIRKON	330-331
800 x 900	35	601	ZIRKON	330-331
900 x 900	25	870	ARRONDO	218-219
	65	871	ARRONDO	218-219
	65	880	ARRONDO M. ANGEF. VERKL.	220-221
900 x 900	35	604	ZIRKON	332-333
	65	513	ZIRKON	334-335
800 x 1000	35	602	ZIRKON	330-331
1000 x 1000	25	872	ARRONDO	218-219
	65	873	ARRONDO	218-219
	65	881	ARRONDO M. ANGEF. VERKL.	220-221
	35	606	ZIRKON	332-333
	65	510	ZIRKON	334-335



PENTAGONAL

Dimension	Depth	Mod.-No.	Model	Page
900 x 900	25	670	CORNEZZA	222-223
	65	671	CORNEZZA	222-223
1000 x 1000	25	672	CORNEZZA	222-223
	65	673	CORNEZZA	222-223

WASHBASINS PROGRAMME

BUILT-IN

Dimension	Depth	Mod.-No.	Model	Page
460 x 460	14	3150	PURO WALL-HUNG WASHBASIN	394-395
500 x 500	14	3075	CONO WALL-HUNG WASHBASIN	366-367
600 x 460	14	3151	PURO WALL-HUNG WASHBASIN	394-395
	14	3037	SILENIO WALL-HUNG WASHBASIN	422-423
600 x 500	14	3080	CONO WALL-HUNG WASHBASIN	366-367
900 x 460	14	3152	PURO WALL-HUNG WASHBASIN	394-395
	14	3038	SILENIO WALL-HUNG WASHBASIN	422-423
900 x 500	14	3081	CONO WALL-HUNG WASHBASIN	366-367
1200 x 460	14	3169	PURO WALL-HUNG WASHBASIN	394-395
	14	3169	PURO BUILT-IN DOUBLE WASHBASIN	396-397
	14	3039	SILENIO WALL-HUNG WASHBASIN	422-423
	14	3039	SILENIO BUILT-IN DOUBLE WASHBASIN	424-425
1200 x 500	14	3082	CONO WALL-HUNG WASHBASIN	366-367
	14	3082	CONO BUILT-IN DOUBLE WASHBASIN	368-369

UNDERCOUNTER

Dimension	Depth	Mod.-No.	Model	Page
∅ 360		3183	CLASSIC UNDERCOUNTER WASHBASIN	390-391
∅ 420		3182	CLASSIC UNDERCOUNTER WASHBASIN	390-391
460 x 385		3159	PURO UNDERCOUNTER WASHBASIN	412-413
470 x 381		3078	CONO UNDERCOUNTER WASHBASIN	376-377
569 x 382		3087	CONO UNDERCOUNTER WASHBASIN	376-377
596 x 426		3190	CAYONO UNDERCOUNTER WASHBASIN	438-439
610 x 380		3059	CENTRO UNDERCOUNTER WASHBASIN	362-363
600 x 385		3160	PURO UNDERCOUNTER WASHBASIN	412-413
634 x 391		3047	SILENIO UNDERCOUNTER WASHBASIN	432-433
869 x 382		3088	CONO UNDERCOUNTER WASHBASIN	376-377
910 x 380		3060	CENTRO UNDERCOUNTER WASHBASIN	362-363
900 x 385		3161	PURO UNDERCOUNTER WASHBASIN	412-413
934 x 391		3048	SILENIO UNDERCOUNTER WASHBASIN	432-433

WALL-HUNG

Dimension	Depth	Mod.-No.	Model	Page
460 x 460	120	3163	PURO WALL-HUNG WASHBASIN	416-417
500 x 500	120	3079	CONO WALL-HUNG WASHBASIN	380-381
550 x 300	100	3073	CONO WALL-HUNG HANDBASIN	378-379
	100	3162	PURO WALL-HUNG HANDBASIN	414-415
600 x 460	120	3164	PURO WALL-HUNG WASHBASIN	416-417
	120	3044	SILENIO WALL-HUNG WASHBASIN	434-435
600 x 500	120	3061	CENTRO WALL-HUNG WASHBASIN	364-365
	120	3089	CONO WALL-HUNG WASHBASIN	380-381
900 x 460	120	3165	PURO WALL-HUNG WASHBASIN	416-417
	120	3045	SILENIO WALL-HUNG WASHBASIN	434-435
900 x 500	120	3062	CENTRO WALL-HUNG WASHBASIN	364-365
	120	3090	CONO WALL-HUNG WASHBASIN	380-381
1200 x 460	120	3167	PURO WALL-HUNG WASHBASIN	416-417
	120	3167	PURO WALL-HUNG DOUBLE WASHBASIN	418-419
	120	3046	SILENIO WALL-HUNG WASHBASIN	434-435
	120	3046	SILENIO WALL-HUNG DOUBLE WASHBASIN	436-437
1200 x 500	120	3091	CONO WALL-HUNG WASHBASIN	380-381
	120	3091	CONO WALL-HUNG DOUBLE WASHBASIN	382-383
1300 x 460	120	3170	PURO WALL-HUNG DOUBLE WASHBASIN	420-421

INSET COUNTERTOP 30 – 100 MM

Dimension	Depth	Mod.-No.	Model	Page
460 x 460	40	3153	PURO INSET COUNTERTOP WASHBASIN	400-401
500 x 500	40	3076	CONO INSET COUNTERTOP WASHBASIN	372-373
580 x 415	30	3189	CAYONO S INSET COUNTERTOP WASHBASIN	440-441
600 x 385	40	3173	PURO S INSET COUNTERTOP WASHBASIN	408-409
600 x 460	40	3154	PURO INSET COUNTERTOP WASHBASIN	400-401
	40	3040	SILENIO INSET COUNTERTOP WASHBASIN	426-427
600 x 500	40	3055	CENTRO INSET COUNTERTOP WASHBASIN	358-359
	40	3083	CONO INSET COUNTERTOP WASHBASIN	372-373
900 x 385	40	3174	PURO S INSET COUNTERTOP WASHBASIN	408-409
900 x 460	40	3155	PURO INSET COUNTERTOP WASHBASIN	400-401
	40	3041	SILENIO INSET COUNTERTOP WASHBASIN	426-427
900 x 500	40	3056	CENTRO INSET COUNTERTOP WASHBASIN	358-359
	40	3084	CONO INSET COUNTERTOP WASHBASIN	372-373
550 x 300	100	3074	CONO COUNTERTOP HANDBASIN	370-371
550 x 300	100	3166	PURO COUNTERTOP HANDBASIN	398-399

INSET COUNTERTOP 120 MM

Dimension	Depth	Mod.-No.	Model	Page
460 x 460	120	3156	PURO INSET COUNTERTOP WASHBASIN	402-403
500 x 500	120	3077	CONO INSET COUNTERTOP WASHBASIN	374-375
600 x 385	120	3175	PURO S INSET COUNTERTOP WASHBASIN	410-411
600 x 460	120	3157	PURO INSET COUNTERTOP WASHBASIN	402-403
	120	3042	SILENIO INSET COUNTERTOP WASHBASIN	428-429
600 x 500	120	3057	CENTRO INSET COUNTERTOP WASHBASIN	360-361
	120	3085	CONO INSET COUNTERTOP WASHBASIN	374-375
900 x 385	120	3176	PURO S INSET COUNTERTOP WASHBASIN	410-411
900 x 460	120	3158	PURO INSET COUNTERTOP WASHBASIN	402-403
	120	3043	SILENIO INSET COUNTERTOP WASHBASIN	428-429
900 x 500	120	3058	CENTRO INSET COUNTERTOP WASHBASIN	360-361
	120	3086	CONO INSET COUNTERTOP WASHBASIN	374-375
1200 x 460	120	3168	PURO INSET COUNTERTOP WASHBASIN	402-403
	120	3168	PURO COUNTERTOP DOUBLE WASHBASIN	404-405
	120	3049	SILENIO INSET COUNTERTOP WASHBASIN	430-431
	120	3049	SILENIO COUNTERTOP DOUBLE WASHBASIN	428-429
1300 x 460	120	3171	PURO COUNTERTOP DOUBLE WASHBASIN	408-409

SPECIAL FORMS

Dimension	Depth	Mod.-No.	Model	Page
∅ 380		3181	MIENA WASHBOWL RUND	384-385
∅ 380		3191	NUEVA WASHBOWL	388-389
∅ 400		3186	MING WASHBOWL	392-393
400 x 400		3184	MIENA WASHBOWL ECKIG	386-387
∅ 450		3180	MIENA WASHBOWL RUND	384-385
520 x 355		3188	CAYONO WASHBOWL	442-443
580 x 380		3185	MIENA WASHBOWL ECKIG	386-387

COLOUR OVERVIEW FOR BATHS

	CPG (I)	Sanitary Colours (II,III)				Coordinated Colours (IV)																	
	alpine white	bahama beige	manhattan	pergamon	black	alpine white matt	warm beige 20	warm beige 40	warm grey 10	warm grey 30	warm grey 50	warm grey 60	warm grey 70	warm grey 80	warm grey 85	warm grey 90	cool grey 30	cool grey 40	cool grey 70	cool grey 80	cool grey 90	black matt 100	
MEISTERSTÜCKE	Colour code 0001																						
Freestanding BATHUBS PANELLING*	Colour code 0001				Colour code 0701																		Colour code 0676
ASYMMETRIC DUO	Colour code 0001	Colour code 0030	Colour code 0199	Colour code 0231	Colour code 0701	Colour code 0711	Colour code 0661		Colour code 0668			Colour code 0671					Colour code 0663		Colour code 0665		Colour code 0667	Colour code 0676	
CAYONO (DUO)	Colour code 0001	Colour code 0030	Colour code 0199	Colour code 0231	Colour code 0701	Colour code 0711	Colour code 0661																
CENTRO DUO (OVAL)	Colour code 0001	Colour code 0030	Colour code 0199	Colour code 0231	Colour code 0701	Colour code 0711	Colour code 0661		Colour code 0668			Colour code 0671					Colour code 0663		Colour code 0665		Colour code 0667	Colour code 0676	
CLASSIC DUO (OVAL)	Colour code 0001	Colour code 0030	Colour code 0199	Colour code 0231	Colour code 0701	Colour code 0711	Colour code 0661															Colour code 0676	
CONODUO	Colour code 0001	Colour code 0030	Colour code 0199	Colour code 0231	Colour code 0701	Colour code 0711	Colour code 0661		Colour code 0668			Colour code 0671					Colour code 0663		Colour code 0665		Colour code 0667	Colour code 0676	
DYNA SET	Colour code 0001	Colour code 0030	Colour code 0199	Colour code 0231	Colour code 0701	Colour code 0711	Colour code 0661																
ELLIPSO DUO (OVAL)	Colour code 0001	Colour code 0030	Colour code 0199	Colour code 0231	Colour code 0701	Colour code 00711	Colour code 0661		Colour code 0668			Colour code 0671					Colour code 0663		Colour code 0665		Colour code 0667	Colour code 0676	
MINI	Colour code 0001	Colour code 0030	Colour code 0199	Colour code 0231	Colour code 0701																		
PLAZA DUO	Colour code 0001	Colour code 0030	Colour code 0199	Colour code 0231	Colour code 0701	Colour code 0711	Colour code 0661																
PURO (DUO)	Colour code 0001	Colour code 0030	Colour code 0199	Colour code 0231	Colour code 0701	Colour code 0711																	
SANIFORM	Colour code 0001	Colour code 0030	Colour code 0199	Colour code 0231	Colour code 0701																		
SILENIO	Colour code 0001	Colour code 0030	Colour code 0199	Colour code 0231	Colour code 0701	Colour code 0711	Colour code 0661		Colour code 0668			Colour code 0671					Colour code 0663		Colour code 0665		Colour code 0667	Colour code 0676	
VAIO (DUO)	Colour code 0001	Colour code 0030	Colour code 0199	Colour code 0231	Colour code 0701	Colour code 0711	Colour code 0661																

* For the bathtub colours available see the respective model family

Bathtub with Skin Touch is available in white, manhattan and pergamon.
 Bathtubs with Whirl System / Skin Touch Emotion are available in the same colour as the bathtubs (see table above).

The colours shown are merely indicative and may differ from the real colours due to the printing technology.

COLOUR OVERVIEW FOR SHOWER TRAYS

	CPG (I)	Sanitary Colours (II, III)				Coordinated Colours (IV)																
	alpine white	bahamabeige	manhattan	pergamon	black	alpine white matt	warm beige 20	warm beige 40	warm grey 10	warm grey 30	warm grey 50	warm grey 60	warm grey 70	warm grey 80	warm grey 85	warm grey 90	cool grey 30	cool grey 40	cool grey 70	cool grey 80	cool grey 90	black matt 100
ARRONDO	Colour code 0001	Colour code 0030	Colour code 0199	Colour code 0231	Colour code 0701	Colour code 0711	Colour code 0661	Colour code 0662	Colour code 0668	Colour code 0669	Colour code 0670	Colour code 0671	Colour code 0672	Colour code 0673	Colour code 0674	Colour code 0675	Colour code 0663	Colour code 0664	Colour code 0665	Colour code 0666	Colour code 0667	Colour code 0676
CAYONPLAN	Colour code 0001	Colour code 0030	Colour code 0199	Colour code 0231	Colour code 0701	Colour code 0711	Colour code 0661	Colour code 0662	Colour code 0668	Colour code 0669	Colour code 0670	Colour code 0671	Colour code 0672	Colour code 0673	Colour code 0674	Colour code 0675	Colour code 0663	Colour code 0664	Colour code 0665	Colour code 0666	Colour code 0667	Colour code 0676
CONOFLAT	Colour code 0001	Colour code 0030	Colour code 0199	Colour code 0231	Colour code 0701	Colour code 0711	Colour code 0661	Colour code 0662	Colour code 0668	Colour code 0669	Colour code 0670	Colour code 0671	Colour code 0672	Colour code 0673	Colour code 0674	Colour code 0675	Colour code 0663	Colour code 0664	Colour code 0665	Colour code 0666	Colour code 0667	Colour code 0676
CORNEZZA	Colour code 0001	Colour code 0030	Colour code 0199	Colour code 0231	Colour code 0701	Colour code 0711	Colour code 0661	Colour code 0662	Colour code 0668	Colour code 0669	Colour code 0670	Colour code 0671	Colour code 0672	Colour code 0673	Colour code 0674	Colour code 0675	Colour code 0663	Colour code 0664	Colour code 0665	Colour code 0666	Colour code 0667	Colour code 0676
DUSCHPLAN	Colour code 0001	Colour code 0030	Colour code 0199	Colour code 0231	Colour code 0701																	
NEXSYS	Colour code 0001	Colour code 0030	Colour code 0199	Colour code 0231	Colour code 0701	Colour code 0711	Colour code 0661	Colour code 0662	Colour code 0668	Colour code 0669	Colour code 0670	Colour code 0671	Colour code 0672	Colour code 0673	Colour code 0674	Colour code 0675	Colour code 0663	Colour code 0664	Colour code 0665	Colour code 0666	Colour code 0667	Colour code 0676
SANIDUSCH	Colour code 0001	Colour code 0030	Colour code 0199	Colour code 0231	Colour code 0701																	
SCONA	Colour code 0001	Colour code 0030	Colour code 0199	Colour code 0231	Colour code 0701	Colour code 0711	Colour code 0661	Colour code 0662	Colour code 0668	Colour code 0669	Colour code 0670	Colour code 0671	Colour code 0672	Colour code 0673	Colour code 0674	Colour code 0675	Colour code 0663	Colour code 0664	Colour code 0665	Colour code 0666	Colour code 0667	Colour code 0676
SUPERPLAN PLUS	Colour code 0001	Colour code 0030	Colour code 0199	Colour code 0231	Colour code 0701	Colour code 0711	Colour code 0661	Colour code 0662	Colour code 0668	Colour code 0669	Colour code 0670	Colour code 0671	Colour code 0672	Colour code 0673	Colour code 0674	Colour code 0675	Colour code 0663	Colour code 0664	Colour code 0665	Colour code 0666	Colour code 0667	Colour code 0676
SUPERPLAN	Colour code 0001	Colour code 0030	Colour code 0199	Colour code 0231	Colour code 0701	Colour code 0711	Colour code 0661	Colour code 0662	Colour code 0668	Colour code 0669	Colour code 0670	Colour code 0671	Colour code 0672	Colour code 0673	Colour code 0674	Colour code 0675	Colour code 0663	Colour code 0664	Colour code 0665	Colour code 0666	Colour code 0667	Colour code 0676
SUPERPLAN ZERO	Colour code 0001	Colour code 0030	Colour code 0199	Colour code 0231	Colour code 0701	Colour code 0711	Colour code 0661	Colour code 0662	Colour code 0668	Colour code 0669	Colour code 0670	Colour code 0671	Colour code 0672	Colour code 0673	Colour code 0674	Colour code 0675	Colour code 0663	Colour code 0664	Colour code 0665	Colour code 0666	Colour code 0667	Colour code 0676
XETIS	Colour code 0001	Colour code 0030	Colour code 0199	Colour code 0231	Colour code 0701	Colour code 0711	Colour code 0661	Colour code 0662	Colour code 0668	Colour code 0669	Colour code 0670	Colour code 0671	Colour code 0672	Colour code 0673	Colour code 0674	Colour code 0675	Colour code 0663	Colour code 0664	Colour code 0665	Colour code 0666	Colour code 0667	Colour code 0676
ZIRKON	Colour code 0001	Colour code 0030	Colour code 0199	Colour code 0231	Colour code 0701	Colour code 0711	Colour code 0661	Colour code 0662	Colour code 0668	Colour code 0669	Colour code 0670	Colour code 0671	Colour code 0672	Colour code 0673	Colour code 0674	Colour code 0675	Colour code 0663	Colour code 0664	Colour code 0665	Colour code 0666	Colour code 0667	Colour code 0676

The colours shown are merely indicative and may differ from the real colours due to the printing technology.

COLOUR & STYLE

COLOUR OVERVIEW FOR WASHBASINS

	CPG (I)	Sanitary Colours (II, III)				Coordinated Colours (IV)																	
	alpine white	bahamabeige	manhattan	pergamon	black	alpine white matt	warm beige 20	warm beige 40	warm grey 10	warm grey 30	warm grey 50	warm grey 60	warm grey 70	warm grey 80	warm grey 85	warm grey 90	cool grey 30	cool grey 40	cool grey 70	cool grey 80	cool grey 90	black matt 100	
CAYONO	Colour code 0001																						
CENTRO	Colour code 0001	Colour code 0030	Colour code 0199	Colour code 0231	Colour code 0701	Colour code 0711	Colour code 0661		Colour code 0668			Colour code 0671					Colour code 0663		Colour code 0665		Colour code 0667	Colour code 0676	
CLASSIC	Colour code 0001	Colour code 0030	Colour code 0199	Colour code 0231	Colour code 0701	Colour code 0711	Colour code 0661		Colour code 0668			Colour code 0671					Colour code 0663		Colour code 0665		Colour code 0667	Colour code 0676	
CONO	Colour code 0001	Colour code 0030	Colour code 0199	Colour code 0231	Colour code 0701	Colour code 0711	Colour code 0661		Colour code 0668			Colour code 0671					Colour code 0663		Colour code 0665		Colour code 0667	Colour code 0676	
EMERSO	Colour code 0001	Colour code 0030	Colour code 0199	Colour code 0231	Colour code 0701	Colour code 0711	Colour code 0661		Colour code 0668			Colour code 0671					Colour code 0663		Colour code 0665		Colour code 0667	Colour code 0676	
MING	Colour code 0001	Colour code 0030	Colour code 0199	Colour code 0231	Colour code 0701	Colour code 0711	Colour code 0661		Colour code 0668			Colour code 0671					Colour code 0663		Colour code 0665		Colour code 0667	Colour code 0676	
NUEVA	Colour code 0001	Colour code 0030	Colour code 0199	Colour code 0231	Colour code 0701	Colour code 0711	Colour code 0661		Colour code 0668			Colour code 0671					Colour code 0663		Colour code 0665		Colour code 0667	Colour code 0676	
MIENA	Colour code 0001	Colour code 0030	Colour code 0199	Colour code 0231	Colour code 0701	Colour code 0711	Colour code 0661		Colour code 0668			Colour code 0671					Colour code 0663		Colour code 0665		Colour code 0667	Colour code 0676	
PURO	Colour code 0001	Colour code 0030	Colour code 0199	Colour code 0231	Colour code 0701	Colour code 0711	Colour code 0661		Colour code 0668			Colour code 0671					Colour code 0663		Colour code 0665		Colour code 0667	Colour code 0676	
SILENIO	Colour code 0001	Colour code 0030	Colour code 0199	Colour code 0231	Colour code 0701	Colour code 0711	Colour code 0661		Colour code 0668			Colour code 0671					Colour code 0663		Colour code 0665		Colour code 0667	Colour code 0676	
















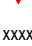
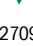
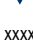









The colours shown are merely indicative and may differ from the real colours due to the printing technology.

TREND COLOURS FOR MIENA MODEL 3180 & 3181 (SEASONAL)

	TREND COLOURS (IV)			
	Navyblue matt	Deep Dream	Soft Touch	Sweet Love
MIENA ONLY FOR MODELS 3180 AND 3181	Colour code 0677	Colour code 0678	Colour code 0679	Colour code 0680

ORDER NUMBER

12-DIGIT ORDER NUMBER BATHTUBS / EXAMPLES

	Model	Equipment / Variant	Colour / easy-clean finish
Art. indication	Bath 	Standard 	alpine white with easy-clean finish 
Order No.	xxxx	0001	3001
Art. indication	Bath 	with anti-slip 	
Order No.	xxxx	3000	xxxx
Art. indication	Bath 	with full anti-slip 	
Order No.	xxxx	3401	xxxx
Bathtubs with overflow hole opposite			
Art. indication	Bath 	with overflow hole opposite 	
Order No.	xxxx	2300	xxxx
Art. indication	Bath 	with overflow hole opposite and anti-slip 	
Order No.	xxxx	2706	xxxx
Art. indication	Bath 	with overflow hole opposite and full anti-slip 	
Order No.	xxxx	2709	xxxx
Duo-Bathtubs with with one grip			
Art. indication	Bath 	Grip hole drilling for Duo bathtubs with one grip 	
Order No.	xxxx	1011	xxxx
Art. indication	Bath 	Grip hole drilling for Duo bathtubs with one grip and anti-slip 	
Order No.	xxxx	1022	xxxx
Art. indication	Bath 	Grip hole drilling for Duo bathtubs with one grip and full anti-slip 	
Order No.	xxxx	1021	xxxx

Subject to technical alterations. Further article numbers on request in Customer Service.

ORDER NUMBER

12-DIGIT ORDER NUMBER SHOWER TRAYS / EXAMPLES

	Model	Equipment/Variant	Colour/easy-clean finish
Art. indication	Shower tray ↓	Standard version without support or coating ↓	alpinweiß with Perl-Effekt ↓
Order No.	xxx	0001	3001
Art. indication	Shower tray ↓	Standard version without support or coating ↓	alpinweiß matt with SECURE PLUS* ↓
Order No.	xxx	0001	2711
Art. indication	Shower tray ↓	without support, with partial anti-slip ↓	 ↓
Order No.	xxx	3000	xxx
Art. indication	Shower tray ↓	without support, with full anti-slip ↓	 ↓
Order No.	xxx	3002	xxx
Shower surface with 2 low profile supports			
Art. indication	Shower tray ↓	with Support ↓	 ↓
Order No.	xxx	4804	xxx
Art. indication	Shower tray ↓	with support and partial anti-slip ↓	 ↓
Order No.	xxx	3500	xxx
Art. indication	Shower tray ↓	with support and full anti-slip ↓	 ↓
Order No.	xxx	3504	xxx
Shower surface with 5 low profile supports			
Art. indication	Shower tray ↓	with low profile supports ↓	 ↓
Order No.	xxx	4798	xxx
Art. indication	Shower tray ↓	with low profile supports and anti-slip ↓	 ↓
Order No.	xxx	4793	xxx
Art. indication	Shower tray ↓	with low profile supports and full anti-slip ↓	 ↓
Order No.	xxx	4794	xxx

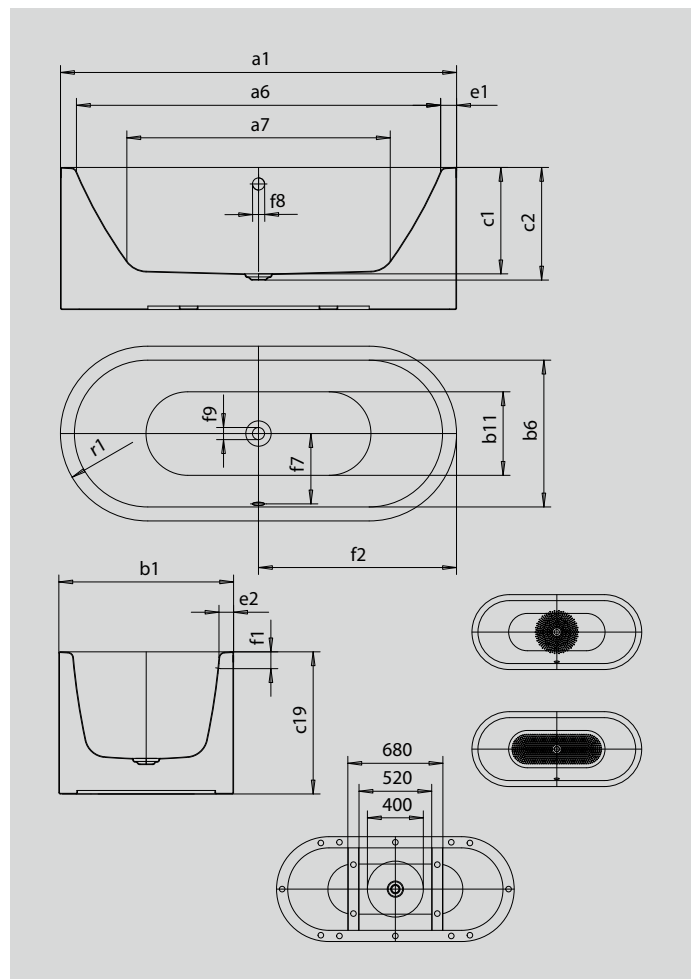
* Attention: SECURE PLUS cannot be combined with easy-clean finish and anti-slip/full anti-slip.
Subject to technical alterations. Further article numbers on request in Customer Service.

MEISTERSTÜCK CENTRO DUO OVAL

- freestanding bath made of superior steel enamel
- with exclusive easy-clean finish
- pure simplicity and unpretentious elegance are what distinguish these baths
- the moulded panel emphasises the high design standard and enables the bath to be freestanding
- enamelled waste cover and overflow knob integrated in the bath design (also available with filling function)
- bathing with a friend: two identical back rests and centrally positioned waste
- made of KALDEWEI steel enamel



Similar illustration



Model		1127	1128
External length	a_1	1700	1800 mm
Internal length (top)	a_6	1580	1680 mm
Internal length (bottom)	a_7	1130	1230 mm
External width	b_1	750	800 mm
Internal width (top)	b_6	630	680 mm
Internal width (bottom)	b_{11}	510	560 mm
Depth inside	c_1	460	460 mm
Depth incl. waste hole	c_2	485	485 mm
Height of bath	c_{19}	610	610 mm
Width of rim (foot end; long side)	$e_1; e_2$	60; 60	60; 60 mm
Distance top edge to centre of overflow hole	f_1	70	70 mm
Distance bath edge to centre of waste hole	f_2	850	900 mm
Distance centre of waste hole to centre of overflow hole	f_7	307	332 mm
Diameter of overflow hole	f_8	Ø 52	Ø 52 mm
Diameter of waste hole	f_9	Ø 52	Ø 52 mm
External radius	r_1	375	400 mm
Water volume		156	195 l
Waste connection diameter		Ø 40/50	Ø 40/50
Fill fitting connection		1/2"	1/2"
Net weight		120	139 kg
Diameter of anti-slip		Ø 435	Ø 435 mm
Full anti-slip		900 x 300	900 x 300 mm

Subject to technical alterations, tolerances and errors. Similar illustration.
70 litres displacement on average.

KALDEWEI

	Model Order No.	Dimensions mm	Colour price groups	GBP
MEISTERSTÜCK CENTRO DUO OVAL with easy-clean finish pre-assembled in factory with special waste and overflow fitting KA 4040 with enamelled waste cover and enamelled overflow knob	1127-4040 200140403001	1700 x 750 x 460		6,518.00
	1128-4040 200240403001	1800 x 800 x 460		7,189.00
MEISTERSTÜCK CENTRO DUO OVAL with easy-clean finish pre-assembled in factory with special waste and overflow fitting KA 4041 with integrated filling function with enamelled waste cover and enamelled overflow knob. The KA 4041 fitting requires a non-return valve. These are not included.	1127-4041 200140413001	1700 x 750 x 460		6,837.00
	1128-4041 200240413001	1800 x 800 x 460		7,508.00
OPTIONAL: KALDEWEI PERFECTION SURFACE FINISHES		PRICE	(!)	
FULL ANTI-SLIP Fired into the enamel – Slip resistant pattern over almost the entire surface		366.00		366.00
PARTIAL ANTI-SLIP Fired into the enamel – Slip resistant pattern over part of the surface		294.00		294.00
OPTIONAL: KALDEWEI EXPERIENCE ●¹		PRICE	(!)	
SOUND WAVE SOUND WAVE can be used with all KALDEWEI bathtubs, except models with support and whirl systems!	6801 58457610000	651.00		

Wellness systems can be found from page 157.

MEISTERSTÜCK

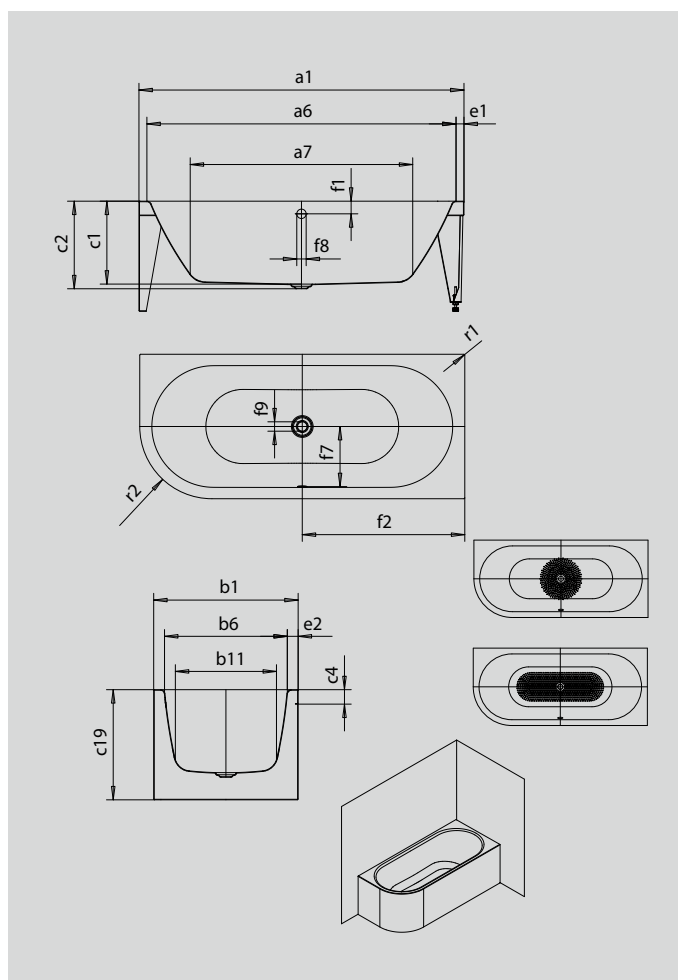
CENTRO DUO 1 LEFT

CORNER INSTALLATION LEFT (2-SIDED)

- bath made of high-quality steel enamel with enamelled panelling on two sides
- specially designed for corner installation
- available as right or left-hand model
- with exclusive easy-clean finish
- pure simplicity and unpretentious elegance are what distinguish these baths
- enamelled waste cover and overflow knob integrated in the bath design (also available with filling function)
- made of KALDEWEI steel enamel



Similar illustration



Model		1129	1136
External length	a_1	1700	1800 mm
Internal length (top)	a_6	1580	1680 mm
Internal length (bottom)	a_7	1130	1230 mm
External width	b_1	750	800 mm
Internal width (top)	b_6	630	680 mm
Internal width (bottom)	b_{11}	510	560 mm
Depth inside	c_1	460	460 mm
Depth incl. waste hole	c_2	485	485 mm
Height of rim	c_4	80	80 mm
Height of bath	c_{19}	610	610 mm
Width of rim (foot end; long side)	$e_1; e_2$	60; 60	60; 60 mm
Distance top edge to centre of overflow hole	f_1	70	70 mm
Distance bath edge to centre of waste hole	f_2	850	900 mm
Distance centre of waste hole to centre of overflow hole	f_7	307	332 mm
Diameter of overflow hole	f_8	Ø 52	Ø 52 mm
Diameter of waste hole	f_9	Ø 52	Ø 52 mm
External radius	r_1	5	5 mm
External radius	r_2	375	400 mm
Water volume		156	195 l
Waste connection diameter		Ø 40/50	Ø 40/50
Fill fitting connection		1/2"	1/2"
Net weight		99	110 kg
Diameter of anti-slip		Ø 435	Ø 435 mm
Full anti-slip		900 x 300	900 x 300 mm

Subject to technical alterations, tolerances and errors. Similar illustration.
70 litres displacement on average.

KALDEWEI

	Model Order No.	Dimensions mm	Colour price groups	GBP
MEISTERSTÜCK CENTRO DUO 1 LEFT CORNER INSTALLATION (2-SIDED) with easy-clean finish pre-assembled in factory with special waste and overflow fitting KA 4040 with enamelled waste cover and enamelled overflow knob	1129-4040 2020 4040 3001	1700 x 750 x 460		5,583.00
	1136-4040 2009 4040 3001	1800 x 800 x 460		6,153.00
MEISTERSTÜCK CENTRO DUO 1 LEFT CORNER INSTALLATION (2-SIDED) with easy-clean finish pre-assembled in factory with special waste and overflow fitting KA 4041 with integrated filling function with enamelled waste cover and enamelled overflow knob. The KA 4041 fitting requires a non-return valve. These are not included.	1129-4041 2020 4041 3001	1700 x 750 x 460		5,902.00
	1136-4041 2009 4041 3001	1800 x 800 x 460		6,472.00
OPTIONAL: KALDEWEI PERFECTION SURFACE FINISHES		PRICE	(!)	
FULL ANTI-SLIP Fired into the enamel – Slip resistant pattern over almost the entire surface		366.00		366.00
PARTIAL ANTI-SLIP Fired into the enamel – Slip resistant pattern over part of the surface		294.00		294.00
OPTIONAL: KALDEWEI EXPERIENCE ●¹		PRICE	(!)	
SOUND WAVE SOUND WAVE can be used with all KALDEWEI bathtubs, except models with support and whirl systems!	6801 5845 7610 0000	651.00		

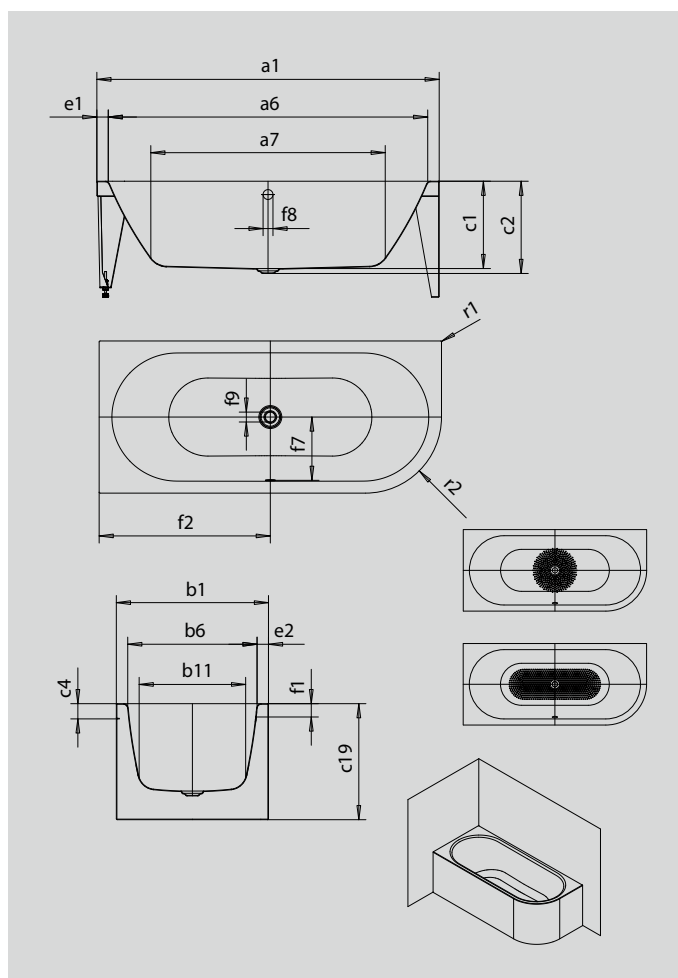
Wellness systems can be found from page 157.

MEISTERSTÜCK CENTRO DUO 1 RIGHT

- bath made of high-quality steel enamel with enamelled panelling on two sides
- specially designed for corner installation
- pure simplicity and unpretentious elegance are what distinguish these baths
- available as right or left-hand model
- with exclusive easy-clean finish
- enamelled waste cover and overflow knob integrated in the bath design (also available with filling function)
- made of KALDEWEI steel enamel



Similar illustration



Model		1130	1137
External length	a ₁	1700	1800 mm
Internal length (top)	a ₆	1580	1680 mm
Internal length (bottom)	a ₇	1130	1230 mm
External width	b ₁	750	800 mm
Internal width (top)	b ₆	630	680 mm
Internal width (bottom)	b ₁₁	510	560 mm
Depth inside	c ₁	460	460 mm
Depth incl. waste hole	c ₂	485	485 mm
Height of rim	c ₄	80	80 mm
Height of bath	c ₁₉	610	610 mm
Width of rim (foot end; long side)	e ₁ ; e ₂	60; 60	60; 60 mm
Distance top edge to centre of overflow hole	f ₁	70	70 mm
Distance bath edge to centre of waste hole	f ₂	850	900 mm
Distance centre of waste hole to centre of overflow hole	f ₇	307	332 mm
Diameter of overflow hole	f ₃	Ø 52	Ø 52 mm
Diameter of waste hole	f ₉	Ø 52	Ø 52 mm
External radius	r ₁	5	5 mm
External radius	r ₂	375	400 mm
Water volume		156	195 l
Waste connection diameter		Ø 40/50	Ø 40/50
Fill fitting connection		1/2"	1/2"
Net weight		99	110 kg
Diameter of anti-slip		Ø 435	Ø 435 mm
Full anti-slip		900 x 300	900 x 300 mm

Subject to technical alterations, tolerances and errors. Similar illustration.
70 litres displacement on average.

KALDEWEI

	Model Order No.	Dimensions mm	Colour price groups	GBP
MEISTERSTÜCK CENTRO DUO 1 RIGHT CORNER INSTALLATION (2-SIDED) with easy-clean finish pre-assembled in factory with special waste and overflow fitting KA 4040 with enamelled waste cover and enamelled overflow knob	1130-4040 2021 4040 3001	1700 x 750 x 460		5,583.00
	1137-4040 2010 4040 3001	1800 x 800 x 460		6,153.00
MEISTERSTÜCK CENTRO DUO 1 RIGHT CORNER INSTALLATION (2-SIDED) with easy-clean finish pre-assembled in factory with special waste and overflow fitting KA 4041 with integrated filling function with enamelled waste cover and enamelled overflow knob. The KA 4041 fitting requires a non-return valve. These are not included.	1130-4041 2021 4041 3001	1700 x 750 x 460		5,902.00
	1137-4041 2010 4041 3001	1800 x 800 x 460		6,472.00
OPTIONAL: KALDEWEI PERFECTION SURFACE FINISHES		PRICE	(!)	
FULL ANTI-SLIP Fired into the enamel – Slip resistant pattern over almost the entire surface		366.00		366.00
PARTIAL ANTI-SLIP Fired into the enamel – Slip resistant pattern over part of the surface		294.00		294.00
OPTIONAL: KALDEWEI EXPERIENCE ●¹		PRICE	(!)	
SOUND WAVE SOUND WAVE can be used with all KALDEWEI bathtubs, except models with support and whirl systems!	6801 5845 7610 0000	651.00		

Wellness systems can be found from page 157.

MEISTERSTÜCK

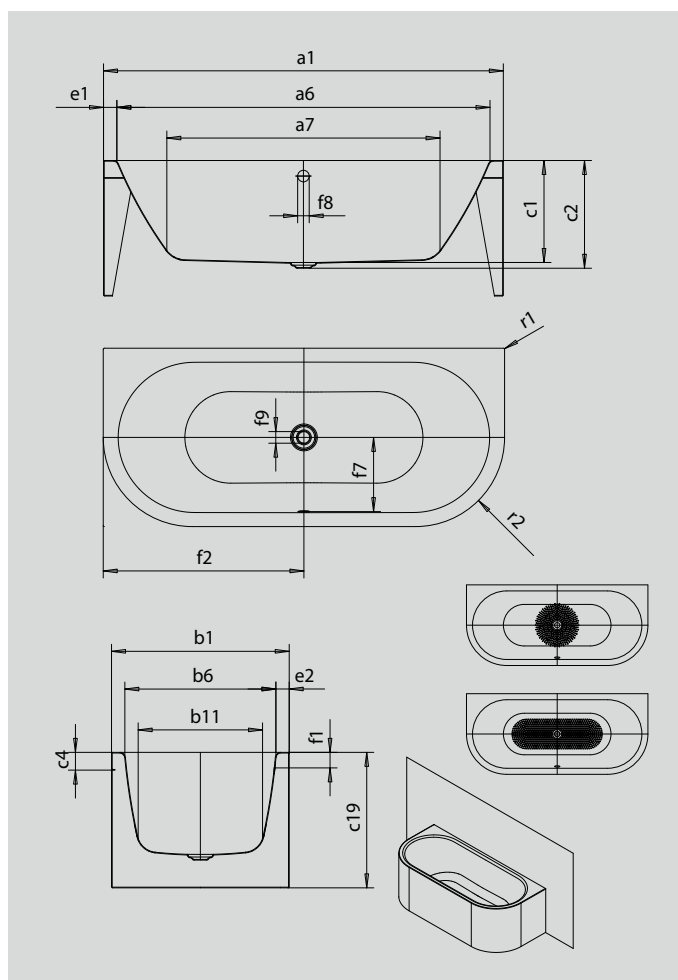
CENTRO DUO 2

FRONT WALL INSTALLATION (3-SIDED)

- bath made of high-quality steel enamel with enamelled panelling on three sides
- with exclusive easy-clean finish
- pure simplicity and unpretentious elegance are what distinguish these baths
- enamelled waste cover and overflow knob integrated in the bath design (also available with filling function)
- made of KALDEWEI steel enamel



Similar illustration



Model		1131	1135
External length	a ₁	1700	1800 mm
Internal length (top)	a ₆	1580	1680 mm
Internal length (bottom)	a ₇	1130	1230 mm
External width	b ₁	750	800 mm
Internal width (top)	b ₆	630	680 mm
Internal width (bottom)	b ₁₁	510	560 mm
Depth inside	c ₁	460	460 mm
Depth incl. waste hole	c ₂	485	485 mm
Height of rim	c ₄	80	80 mm
Height of bath	c ₁₉	610	610 mm
Width of rim (foot end; long side)	e ₁ ; e ₂	60; 60	60; 60 mm
Distance top edge to centre of overflow hole	f ₁	70	70 mm
Distance bath edge to centre of waste hole	f ₂	850	900 mm
Distance centre of waste hole to centre of overflow hole	f ₇	307	332 mm
Diameter of overflow hole	f ₈	Ø 52	Ø 52 mm
Diameter of waste hole	f ₉	Ø 52	Ø 52 mm
External radius	r ₁	5	5 mm
External radius	r ₂	375	400 mm
Water volume		156	195 l
Waste connection diameter		Ø 40/50	Ø 40/50
Fill fitting connection		1/2"	1/2"
Net weight		103	114 kg
Diameter of anti-slip		Ø 435	Ø 435 mm
Full anti-slip		900 x 300	900 x 300 mm

Subject to technical alterations, tolerances and errors. Similar illustration. 70 litres displacement on average.

KALDEWEI

	Model Order No.	Dimensions mm	Colour price groups	GBP
MEISTERSTÜCK CENTRO DUO 2 with easy-clean finish pre-assembled in factory with special waste and overflow fitting KA 4040 with enamelled waste cover and enamelled overflow knob	1131-4040 202240403001	1700 x 750 x 460		5,896.00
	1135-4040 202340403001	1800 x 800 x 460		6,498.00
MEISTERSTÜCK CENTRO DUO 2 with easy-clean finish pre-assembled in factory with special waste and overflow fitting with integrated filling function KA 4041 with enamelled waste cover and overflow knob. The KA 4041 fitting requires a non-return valve. These are not included.	1131-4041 202240413001	1700 x 750 x 460		6,215.00
	1135-4041 202340413001	1800 x 800 x 460		6,817.00
OPTIONAL: KALDEWEI PERFECTION SURFACE FINISHES		PRICE	(!)	
FULL ANTI-SLIP Fired into the enamel – Slip resistant pattern over almost the entire surface		366.00		366.00
PARTIAL ANTI-SLIP Fired into the enamel – Slip resistant pattern over part of the surface		294.00		294.00
OPTIONAL: KALDEWEI EXPERIENCE ●¹		PRICE	(!)	
SOUND WAVE SOUND WAVE can be used with all KALDEWEI bathtubs, except models with support and whirl systems!	6801 58457610000	651.00		

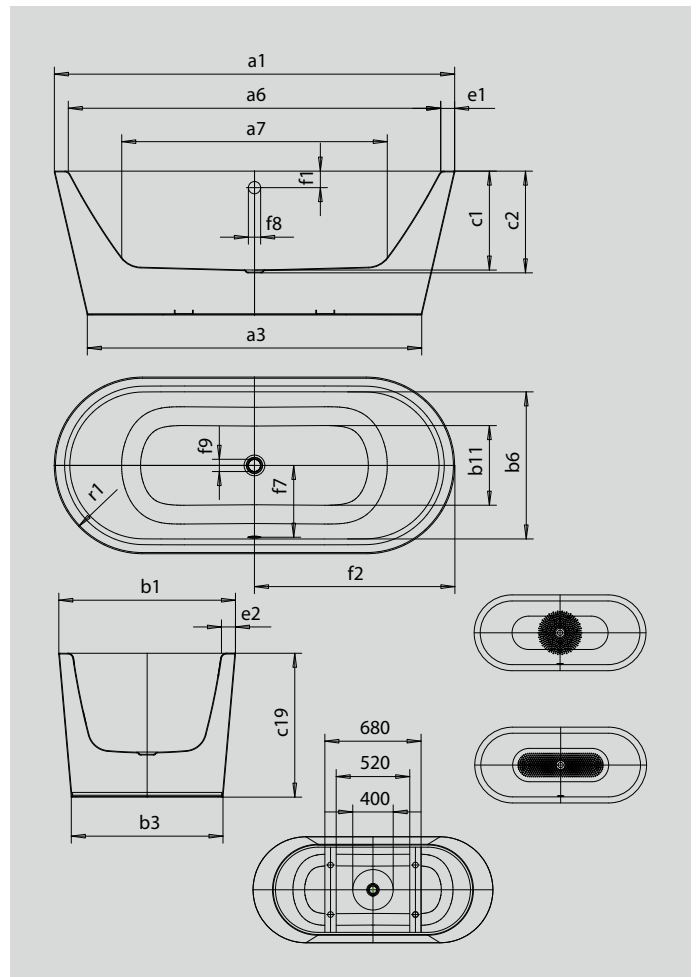
Wellness systems can be found from page 157.

MEISTERSTÜCK CLASSIC DUO OVAL

- freestanding bathtub with seamless enamelled panelling blends into a monolithic symphony made of KALDEWEI steel enamel
- archetypal design with oval contours and a stunning conical exterior appeals anywhere in the room. The distinctly narrow edge lends the bath a uniquely harmonious aesthetic
- two gently sloping backrests and the central waste and overflow fitting ensure relaxed bathing with a partner
- the Meisterstück is available with optional extras such as easy-clean finish for unrivalled hygiene and the KALDEWEI COMFORT LEVEL waste and overflow fitting



Similar illustration



Model		1113	1111
External length	a ₁	1700	1800 mm
External length (bottom)	a ₃	1418	1518 mm
Internal length (top)	a ₆	1580	1680 mm
Internal length (bottom)	a ₇	1130	1230 mm
External width	b ₁	750	800 mm
External width (bottom)	b ₃	643	693 mm
Internal width (top)	b ₆	630	680 mm
Internal width (bottom)	b ₁₁	500	550 mm
Depth inside	c ₁	420	420 mm
Depth incl. waste hole	c ₂	430	430 mm
Height of bath	c ₁₉	610	610 mm
Width of rim (foot end; long side)	e ₁ ; e ₂	60; 60	60; 60 mm
Distance top edge to centre of overflow hole	f ₁	70	70 mm
Distance bath edge to centre of waste hole	f ₂	850	900 mm
Distance centre of waste hole to centre of overflow hole	f ₇	305	330 mm
Diameter of overflow hole	f ₈	Ø 52	Ø 52 mm
Diameter of waste hole	f ₉	Ø 52	Ø 52 mm
External radius	r ₁	375	400 mm
Water volume		124	158 l
Net weight		117	139 kg
Fill fitting connection		1/2"	1/2"
Waste connection diameter		Ø 40/50	Ø 40/50
Diameter of anti-slip		Ø 435	Ø 435 mm
Full anti-slip		900 x 300	900 x 300 mm

Subject to technical alterations, tolerances and errors. Similar illustration. 70 litres displacement on average.

KALDEWEI

	Model Order No.	Dimensions mm	Colour price groups	GBP
MEISTERSTÜCK CLASSIC DUO OVAL not pre-assembled in factory	1113 2029 4268 0001	1700 x 750 x 420		4,656.00
	1111 2026 4268 0001	1800 x 800 x 420		4,814.00
MEISTERSTÜCK CLASSIC DUO OVAL pre-assembled in factory with waste and overflow fitting chrome KA 4002	1113-4002 2029 4075 0001	1700 x 750 x 420		5,008.00
	1111-4002 2026 4075 0001	1800 x 800 x 420		5,166.00
MEISTERSTÜCK CLASSIC DUO OVAL pre-assembled in factory with waste and overflow fitting chrome with integrated filling function KA 4012 The KA 4012 fitting requires a non-return valve and connection hose. This is not included.	1113-4012 2029 4267 0001	1700 x 750 x 420		5,175.00
	1111-4012 2026 4267 0001	1800 x 800 x 420		5,334.00
OPTIONAL: KALDEWEI PERFECTION SURFACE FINISHES		PRICE	(!)	
EXTRA CHARGE FOR EASY-CLEAN FINISH	xxxxxxxx3xxx	86.00		86.00
FULL ANTI-SLIP Fired into the enamel – Slip resistant pattern over almost the entire surface		366.00		366.00
PARTIAL ANTI-SLIP Fired into the enamel – Slip resistant pattern over part of the surface		294.00		294.00
OPTIONAL: KALDEWEI EXPERIENCE ●¹		PRICE	(!)	
SOUND WAVE SOUND WAVE can be used with all KALDEWEI bathtubs, except models with support and whirl systems!	6801 5845 7610 0000	651.00		

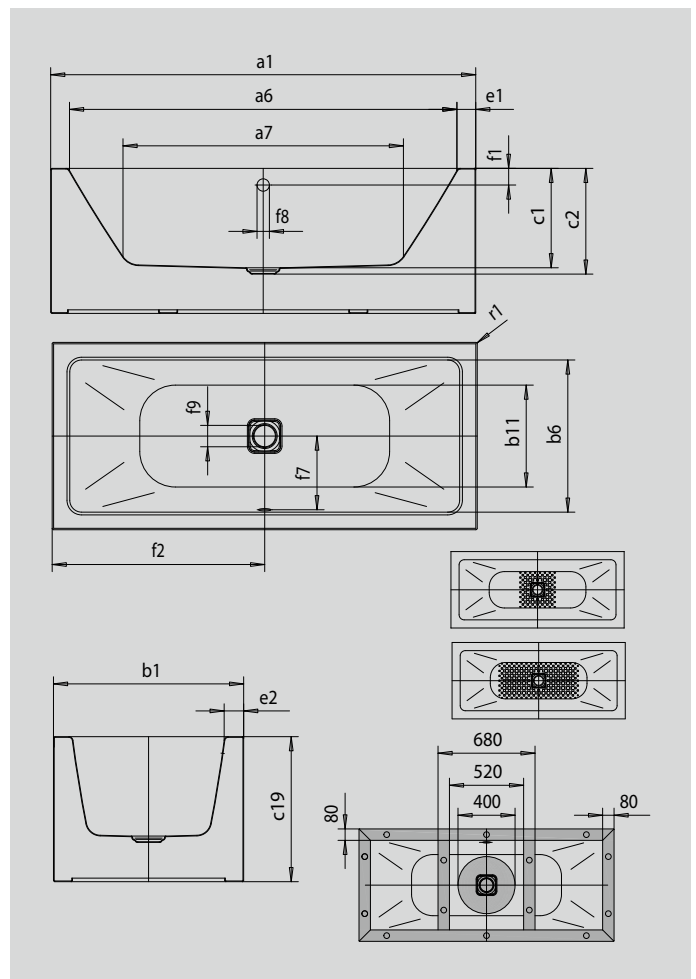
Wellness systems can be found from page 157.

MEISTERSTÜCK CONODUO

- freestanding bath made of superior steel enamel
- with exclusive easy-clean finish
- straightlined, purist design
- classic four-cornered model
- enamelled waste cover and overflow knob integrated in the bath design (also available with filling function)
- bathing with a friend: two identical back rests and centrally positioned waste
- made of KALDEWEI steel enamel
- designed by Sottsass Associati



Similar illustration



Model		1732	1733
External length	a ₁	1700	1800 mm
Internal length (top)	a ₆	1540	1640 mm
Internal length (bottom)	a ₇	1080	1180 mm
External width	b ₁	750	800 mm
Internal width (top)	b ₅	590	640 mm
Internal width (bottom)	b ₁₁	470	520 mm
Depth inside	c ₁	420	420 mm
Depth incl. waste hole	c ₂	445	445 mm
Height of bath	c ₁₉	610	610 mm
Width of rim (foot end; long side)	e ₁ ; e ₂	80; 80	80; 80 mm
Distance top edge to centre of overflow hole	f ₁	70	70 mm
Distance bath edge to centre of waste hole	f ₂	850	900 mm
Distance centre of waste hole to centre of overflow hole	f ₇	285	310 mm
Diameter of overflow hole	f ₈	Ø 52	Ø 52 mm
Diameter of waste hole	f ₉	Ø 90	Ø 90 mm
External radius	r ₁	5	5 mm
Water volume		122	159 l
Waste connection diameter		Ø 40/50	Ø 40/50
Fill fitting connection		1/2"	1/2"
Net weight		154	170 kg
Anti-slip		356 x 356	404 x 404 mm
Full anti-slip		788 x 356	884 x 404 mm

Subject to technical alterations, tolerances and errors. Similar illustration.
70 litres displacement on average.

KALDEWEI

	Model Order No.	Dimensions mm	Colour price groups	GBP
MEISTERSTÜCK CONODUO with easy-clean finish pre-assembled in factory with special waste and overflow fitting KA 4080 with enamelled waste cover and enamelled overflow knob	1732-4080 200640803001	1700 x 750 x 420		6,142.00
	1733-4080 200740803001	1800 x 800 x 420		6,641.00
MEISTERSTÜCK CONODUO with easy-clean finish pre-assembled in factory with special waste and overflow fitting KA 4081 with integrated filling function with enamelled waste cover and enamelled overflow knob. The KA 4081 fitting requires a non-return valve. These are not included.	1732-4081 200640813001	1700 x 750 x 420		6,461.00
	1733-4081 200740813001	1800 x 800 x 420		6,960.00
OPTIONAL: KALDEWEI PERFECTION SURFACE FINISHES		PRICE	(!)	
FULL ANTI-SLIP Fired into the enamel – Slip resistant pattern over almost the entire surface		366.00		366.00
PARTIAL ANTI-SLIP Fired into the enamel – Slip resistant pattern over part of the surface		294.00		294.00
OPTIONAL: KALDEWEI EXPERIENCE ●¹		PRICE	(!)	
SOUND WAVE SOUND WAVE can be used with all KALDEWEI bathtubs, except models with support and whirl systems!	6801 584576100000	651.00		

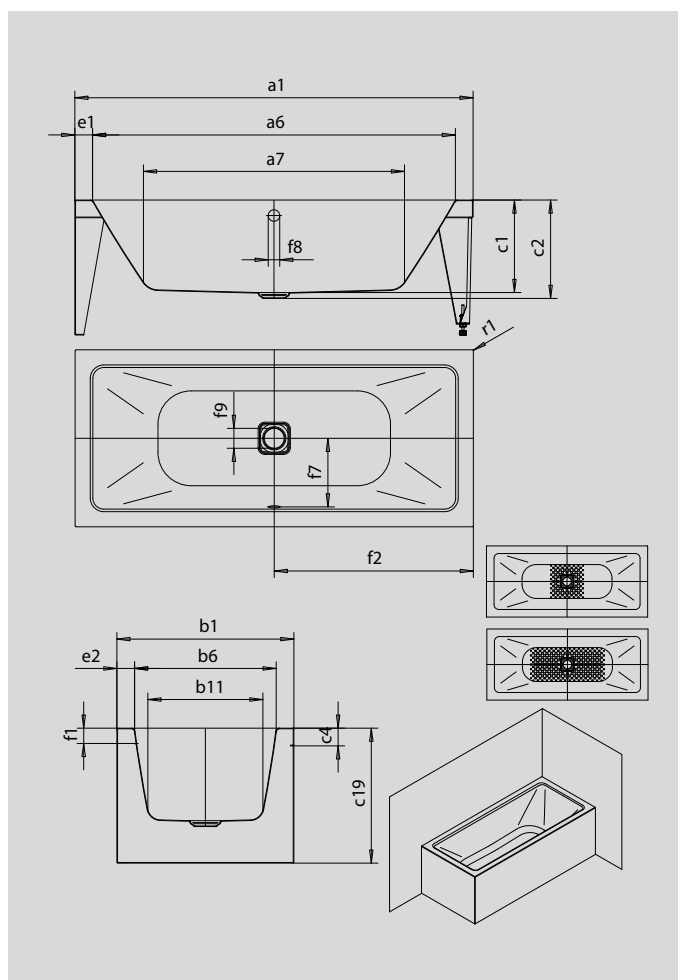
Wellness systems can be found from page 157.

MEISTERSTÜCK CONODUO 1 LEFT CORNER INSTALLATION (2-SIDED)

- bath made of high-quality steel enamel with enamelled panelling on two sides
- specially designed for corner installation
- available as right or left-hand model
- with exclusive easy-clean finish
- straightlined, purist design
- enamelled waste cover and overflow knob integrated in the bath design (also available with filling function)
- made of KALDEWEI steel enamel
- designed by Sottsass Associati



Similar illustration



Model		1702	1703
External length	a ₁	1700	1800 mm
Internal length (top)	a ₆	1540	1640 mm
Internal length (bottom)	a ₇	1080	1180 mm
External width	b ₁	750	800 mm
Internal width (top)	b ₆	590	640 mm
Internal width (bottom)	b ₁₁	470	520 mm
Depth inside	c ₁	420	420 mm
Depth incl. waste hole	c ₂	445	445 mm
Height of rim	c ₃	80	80 mm
Height of bath	c ₁₉	610	610 mm
Width of rim (foot end; long side)	e ₁ ; e ₂	80; 80	80; 80 mm
Distance top edge to centre of overflow hole	f ₁	70	70 mm
Distance bath edge to centre of waste hole	f ₂	850	900 mm
Distance centre of waste hole to centre of overflow hole	f ₇	285	310 mm
Diameter of overflow hole	f ₈	Ø 52	Ø 52 mm
Diameter of waste hole	f ₉	Ø 90	Ø 90 mm
External radius	r ₁	5	5 mm
Watervolume		122	159 l
Waste connection diameter		Ø 40/50	Ø 40/50
Fill fitting connection		1/2"	1/2"
Net weight		100	109 kg
Anti-slip		356 x 356	404 x 404 mm
Full anti-slip		788 x 356	884 x 404 mm

Subject to technical alterations, tolerances and errors. Similar illustration.
70 litres displacement on average.

KALDEWEI

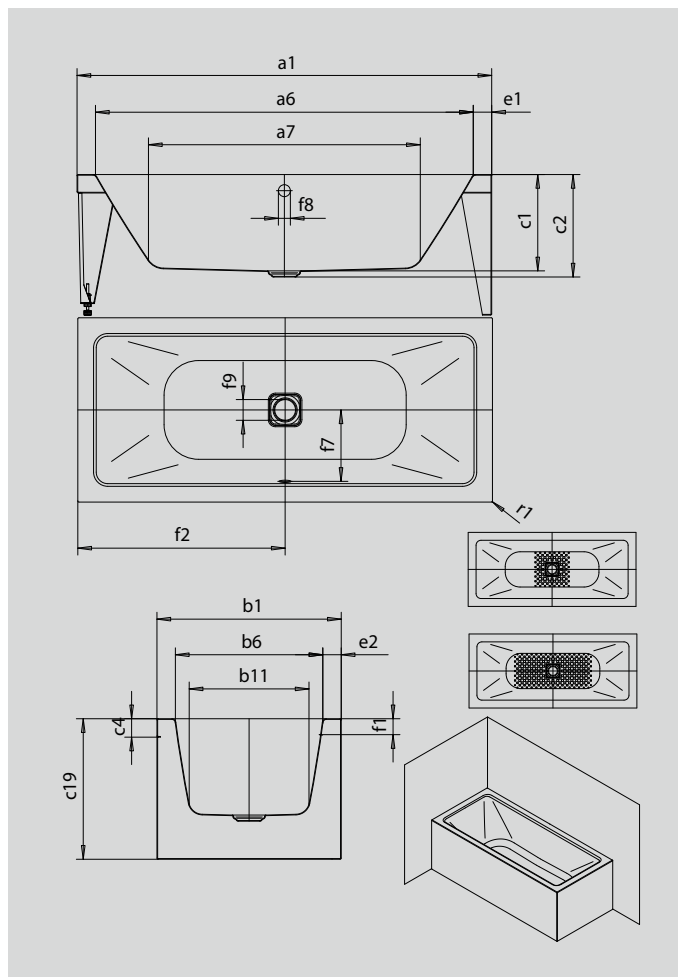
	Model Order No.	Dimensions mm	Colour price groups	GBP
MEISTERSTÜCK CONODUO 1 LEFT CORNER INSTALLATION (2-SIDED) with easy-clean finish pre-assembled in factory with special waste and overflow fitting KA 4080 with enamelled waste cover and enamelled overflow knob	1702-4080 2014 4080 3001	1700 x 750 x 420		5,263.00
	1703-4080 2015 4080 3001	1800 x 800 x 420		5,688.00
MEISTERSTÜCK CONODUO 1 LEFT CORNER INSTALLATION (2-SIDED) with easy-clean finish pre-assembled in factory with special waste and overflow fitting KA 4081 with integrated filling function with enamelled waste cover and enamelled overflow knob. The KA 4081 fitting requires a non-return valve. These are not included.	1702-4081 2014 4081 3001	1700 x 750 x 420		5,581.00
	1703-4081 2015 4081 3001	1800 x 800 x 420		6,006.00
OPTIONAL: KALDEWEI PERFECTION SURFACE FINISHES		PRICE	(1)	
FULL ANTI-SLIP Fired into the enamel – Slip resistant pattern over almost the entire surface		366.00		366.00
PARTIAL ANTI-SLIP Fired into the enamel – Slip resistant pattern over part of the surface		294.00		294.00
OPTIONAL: KALDEWEI EXPERIENCE ●¹		PRICE	(1)	
SOUND WAVE SOUND WAVE can be used with all KALDEWEI bathtubs, except models with support and whirl systems!	6801 5845 7610 0000	651.00		

MEISTERSTÜCK CONODUO 1 RIGHT CORNER INSTALLATION (2-SIDED)

- bath made of high-quality steel enamel with enamelled panelling on two sides
- specially designed for corner installation
- available as right or left-hand model
- with exclusive easy-clean finish
- straightlined, purist design
- enamelled waste cover and overflow knob integrated in the bath design (also available with filling function)
- made of KALDEWEI steel enamel
- designed by Sottsass Associati



Similar illustration



Model		1712	1713
External length	a_1	1700	1800 mm
Internal length (top)	a_6	1540	1640 mm
Internal length (bottom)	a_7	1080	1180 mm
External width	b_1	750	800 mm
Internal width (top)	b_6	590	640 mm
Internal width (bottom)	b_{11}	470	520 mm
Depth inside	c_1	420	420 mm
Depth incl. waste hole	c_2	445	445 mm
Height of rim	c_3	80	80 mm
Height of bath	c_{19}	610	610 mm
Width of rim (foot end; long side)	$e_1; e_2$	80; 80	80; 80 mm
Distance top edge to centre of overflow hole	f_1	70	70 mm
Distance bath edge to centre of waste hole	f_2	850	900 mm
Distance centre of waste hole to centre of overflow hole	f_7	285	310 mm
Diameter of overflow hole	f_8	Ø 52	Ø 52 mm
Diameter of waste hole	f_9	Ø 90	Ø 90 mm
External radius	r_1	5	5 mm
Watervolume		122	159 l
Waste connection diameter		Ø 40/50	Ø 40/50
Fill fitting connection		1/2"	1/2"
Net weight		100	109 kg
Anti-slip		356 x 356	404 x 404 mm
Full anti-slip		788 x 356	884 x 404 mm

Subject to technical alterations, tolerances and errors. Similar illustration.
70 litres displacement on average.

KALDEWEI

	Model Order No.	Dimensions mm	Colour price groups	GBP
MEISTERSTÜCK CONODUO 1 RIGHT CORNER INSTALLATION RIGHT (2-SIDED) with easy-clean finish pre-assembled in factory with special waste and overflow fitting KA 4080 with enamelled waste cover and enamelled overflow knob	1712-4080 201640803001	1700 x 750 x 420		5,263.00
	1713-4080 201740803001	1800 x 800 x 420		5,688.00
MEISTERSTÜCK CONODUO 1 RIGHT CORNER INSTALLATION RIGHT (2-SIDED) with easy-clean finish pre-assembled in factory with special waste and overflow fitting KA 4081 with integrated filling function with enamelled waste cover and enamelled overflow knob. The KA 4081 fitting requires a non-return valve. These are not included.	1712-4081 201640813001	1700 x 750 x 420		5,581.00
	1713-4081 201740813001	1800 x 800 x 420		6,006.00
OPTIONAL: KALDEWEI PERFECTION SURFACE FINISHES		PRICE	(1)	
FULL ANTI-SLIP Fired into the enamel – Slip resistant pattern over almost the entire surface		366.00		366.00
PARTIAL ANTI-SLIP Fired into the enamel – Slip resistant pattern over part of the surface		294.00		294.00
OPTIONAL: KALDEWEI EXPERIENCE ●¹		PRICE	(1)	
SOUND WAVE SOUND WAVE can be used with all KALDEWEI bathtubs, except models with support and whirl systems!	6801 58457610000	651.00		

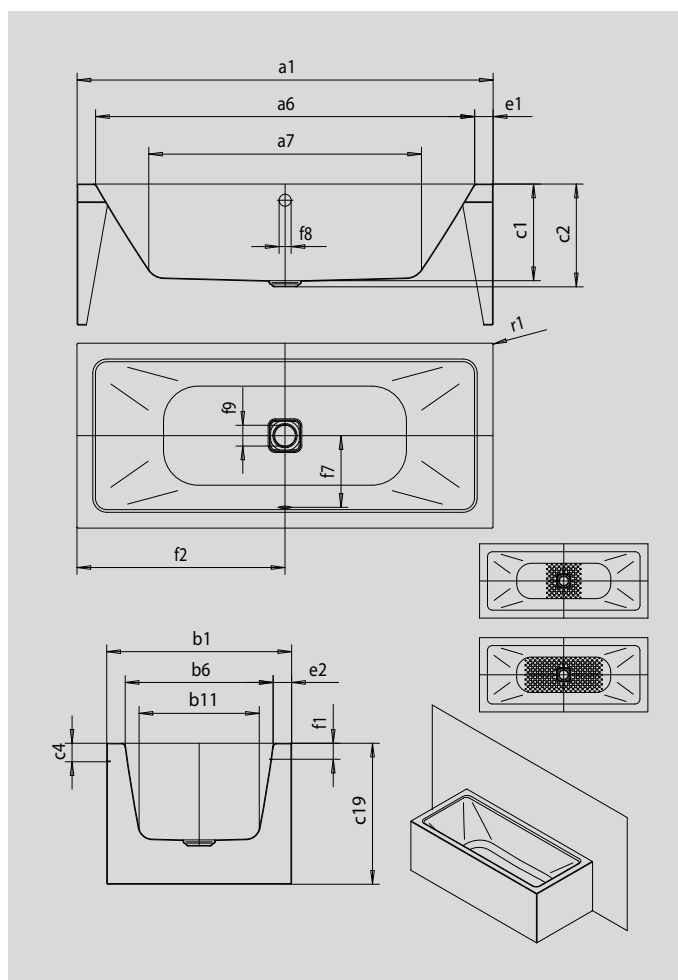
MEISTERSTÜCK CONODUO 2

FRONT WALL INSTALLATION (3-SIDED)

- bath made of high-quality steel enamel with enamelled panelling on three sides
- with exclusive easy-clean finish
- straightlined, purist design
- enamelled waste cover and overflow knob integrated in the bath design (also available with filling function)
- made of KALDEWEI steel enamel
- designed by Sottsass Associati



Similar illustration



Model		1722	1723
External length	a_1	1700	1800 mm
Internal length (top)	a_6	1540	1640 mm
Internal length (bottom)	a_7	1080	1180 mm
External width	b_1	750	800 mm
Internal width (top)	b_6	590	640 mm
Internal width (bottom)	b_{11}	470	520 mm
Depth inside	c_1	420	420 mm
Depth incl. waste hole	c_2	445	445 mm
Height of rim	c_3	80	80 mm
Height of bath	c_{19}	610	610 mm
Width of rim (foot end; long side)	$e_1; e_2$	80; 80	80; 80 mm
Distance top edge to centre of overflow hole	f_1	70	70 mm
Distance bath edge to centre of waste hole	f_2	850	900 mm
Distance centre of waste hole to centre of overflow hole	f_7	285	310 mm
Diameter of overflow hole	f_8	Ø 52	Ø 52 mm
Diameter of waste hole	f_9	Ø 90	Ø 90 mm
External radius	r_1	5	5 mm
Watervolume		122	159 l
Waste connection diameter		Ø 40/50	Ø 40/50
Fill fitting connection		1/2"	1/2"
Net weight		109	118 kg
Anti-slip		356 x 356	404 x 404 mm
Full anti-slip		788 x 356	884 x 404 mm

Subject to technical alterations, tolerances and errors. Similar illustration.
70 litres displacement on average.

KALDEWEI

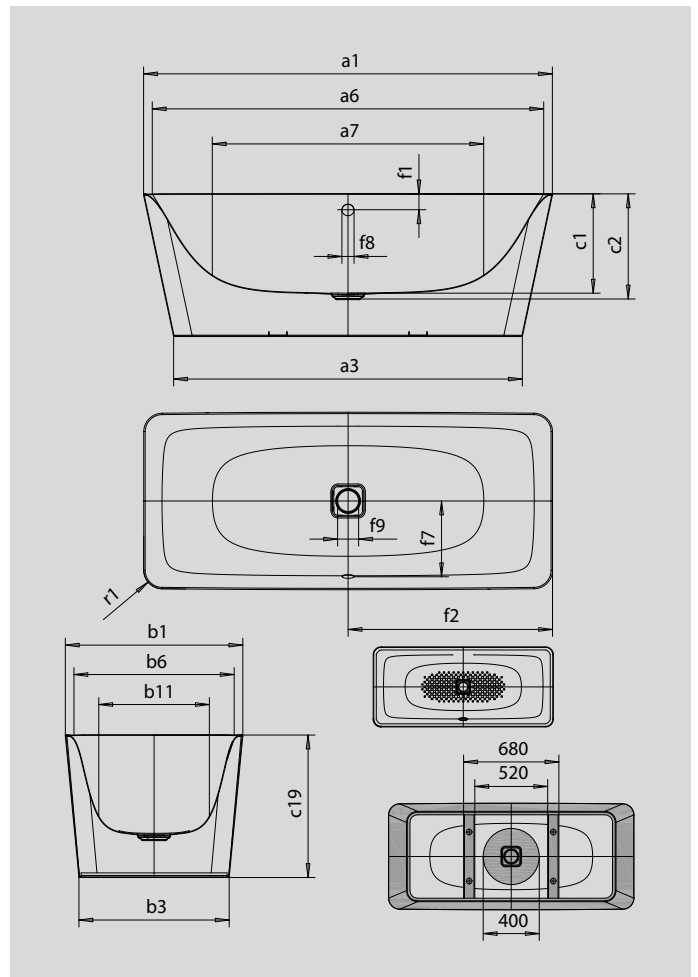
	Model Order No.	Dimensions mm	Colour price groups	GBP
MEISTERSTÜCK CONODUO 2 with easy-clean finish pre-assembled in factory with special waste and overflow fitting KA 4080 with enamelled waste cover and enamelled overflow knob	1722-4080 201840803001	1700 x 750 x 420		5,555.00
	1723-4080 201940803001	1800 x 800 x 420		6,008.00
MEISTERSTÜCK CONODUO 2 with easy-clean finish pre-assembled in factory with special waste and overflow fitting KA 4081 with integrated filling function with enamelled waste cover and enamelled overflow knob. The KA 4081 fitting requires a non-return valve. These are not included.	1722-4081 201840813001	1700 x 750 x 420		5,874.00
	1723-4081 201940813001	1800 x 800 x 420		6,327.00
OPTIONAL: KALDEWEI PERFECTION SURFACE FINISHES		PRICE	(1)	
FULL ANTI-SLIP Fired into the enamel – Slip resistant pattern over almost the entire surface		366.00		366.00
PARTIAL ANTI-SLIP Fired into the enamel – Slip resistant pattern over part of the surface		294.00		294.00
OPTIONAL: KALDEWEI EXPERIENCE ●¹		PRICE	(1)	
SOUND WAVE SOUND WAVE can be used with all KALDEWEI bathtubs, except models with support and whirl systems!	6801 584576100000	651.00		

MEISTERSTÜCK INCAVA

- freestanding bath made of superior steel enamel
- with exclusive easy-clean finish
- subtle tension between soft lines of the interior and sensual geometry of the exterior
- enamelled waste cover and overflow knob integrated in the bath design (also available with filling function)
- bathing with a friend: two identical back rests and centrally positioned waste
- made of KALDEWEI steel enamel
- designed by Anke Salomon



Similar illustration



Model		1174
External length	a ₁	1750 mm
External length (bottom)	a ₃	1493 mm
Internal length (top)	a ₆	1676 mm
Internal length (bottom)	a ₇	1162 mm
External width	b ₁	760 mm
External width (bottom)	b ₃	643 mm
Internal width (top)	b ₆	676 mm
Internal width (bottom)	b ₁₁	473 mm
Depth inside	c ₁	425 mm
Depth incl. waste hole	c ₂	450 mm
Height of bath	c ₁₉	610 mm
Distance top edge to centre of overflow hole	f ₁	70 mm
Distance bath edge to centre of waste hole	f ₂	875 mm
Distance centre of waste hole to centre of overflow hole	f ₇	320 mm
Diameter of overflow hole	f ₈	Ø 52 mm
Diameter of waste hole	f ₉	Ø 90 mm
External radius	r ₁	80 mm
Fill fitting connection		1/2"
Waste connection diameter		Ø 40/50
Watervolume		140 l
Net weight		162 kg
Full anti-slip		828 x 300 mm

Subject to technical alterations, tolerances and errors. Similar illustration.
70 litres displacement on average.

KALDEWEI

	Model Order No.	Dimensions mm	Colour price groups	GBP
MEISTERSTÜCK INCAVA with easy-clean finish pre-assembled in factory with special waste and overflow fitting KA 4080 with enamelled waste cover and enamelled overflow knob	1174-4080 2013 4080 3001	1750 x 760 x 425		6,487.00
MEISTERSTÜCK INCAVA with easy-clean finish pre-assembled in factory with special waste and overflow fitting KA 4081 with integrated filling function with enamelled waste cover and enamelled overflow knob. The KA 4081 fitting requires a non-return valve. These are not included.	1174-4081 2013 4081 3001	1750 x 760 x 425		6,805.00
OPTIONAL: KALDEWEI PERFECTION SURFACE FINISHES		PRICE	(!)	
FULL ANTI-SLIP Fired into the enamel – Slip resistant pattern over almost the entire surface		366.00	366.00	
OPTIONAL: KALDEWEI EXPERIENCE ●¹		PRICE	(!)	
SOUND WAVE SOUND WAVE can be used with all KALDEWEI bathtubs, except models with support and whirl systems!	6801 5845 7610 0000	651.00		

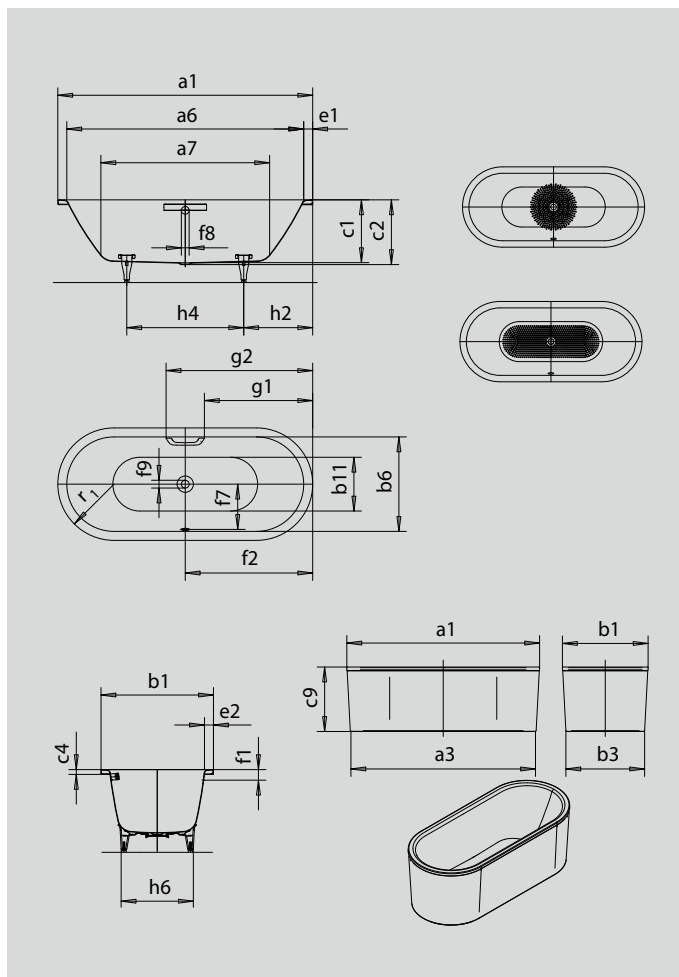


CLASSIC DUO OVAL FREESTANDING

- pure simplicity and unpretentious elegance are what distinguish these baths
- bathing with a friend: two identical back rests and centrally positioned waste
- the moulded panel emphasises the high design standard and enables the bath to be freestanding
- made of KALDEWEI steel enamel



Similar illustration




GRIP DISCREET OPULENCE



Model		113	111
External length	a ₁	1700	1800 mm
External length (bottom)	a ₃	1635	1735 mm
Internal length (top)	a ₆	1580	1680 mm
Internal length (bottom)	a ₇	1130	1230 mm
External width	b ₁	750	800 mm
External width (bottom)	b ₃	685	735 mm
Internal width (top)	b ₆	630	680 mm
Internal width (bottom)	b ₁₁	500	550 mm
Depth inside	c ₁	420	420 mm
Depth incl. waste hole	c ₂	430	430 mm
Height of rim	c ₃	32	32 mm
Overall height with panel	c ₉	602	602 mm
Width of rim (foot end; long side)	e ₁ ; e ₂	60; 60	60; 60 mm
Distance top edge to centre of overflow hole	f ₁	70	70 mm
Distance bath edge to centre of waste hole	f ₂	850	900 mm
Distance centre of waste hole to centre of overflow hole	f ₇	305	330 mm
Diameter of overflow hole	f ₈	Ø 52	Ø 52 mm
Diameter of waste hole	f ₉	Ø 52	Ø 52 mm
Distance bath edge (foot end) to start of grip	g ₁	722	772 mm
Distance bath edge (foot end) to end of grip	g ₂	978	1028 mm
Distance foot end of bath edge to centre of foot	h ₂	560	600 mm
Distance between the feet	h ₄	580	600 mm
Width of feet max.	h ₆	450	540 mm
External radius	r ₁	375	400 mm
Water volume		124	158 l
Net weight		78	88 kg
Diameter of anti-slip		Ø 435	Ø 435 mm
Full anti-slip		900 x 300	900 x 300 mm

Subject to technical alterations, tolerances and errors. Similar illustration.
70 litres displacement on average.

KALDEWEI

	Model Order No.	Dimensions mm	Colour price groups			GBP
			Alpine White (I)	Sanitary Colours (II, III)	Coord. Colours (IV)	
CLASSIC DUO OVAL FREESTANDING (Special PU coated panel) for Model 113-7 including flexible waste hose and ALLROUND feet 5030 for model 111-7 including flexible waste hose and special feet Mod. 5032 Bathtub and panel in the same colour Bathtub colour can be selected from the available colours Available panel colours see below. In the case of a two-tone version, the price of the higher CPG applies.	113-7 2914xxxxxxx	1700 x 750 x 420	2,703.00	3,514.00	3,514.00	
	111-7 2912xxxxxxx	1800 x 800 x 420	2,877.00	3,739.00	3,739.00	
Version with grip holes on one side available.			without extra charge	without extra charge	without extra charge	
Version with panelling in alpine white	xxxx 4923 xxxx		see CPG	see CPG	see CPG	
Version with panelling in black	xxxx 4913 xxxx		see CPG	see CPG	see CPG	
Version with panelling in alpine white matt	xxxx 4641 xxxx		see CPG	see CPG	see CPG	
Version with panelling in black matt 100	xxxx 4642 xxxx		see CPG	see CPG	see CPG	
OPTIONAL: KALDEWEI PERFECTION SURFACE FINISHES		PRICE	(I)	(II), (III)	(IV)	
EXTRA CHARGE FOR EASY-CLEAN FINISH	xxxxxxx 3 xxx		86.00	86.00		
FULL ANTI-SLIP Fired into the enamel – Slip resistant pattern over almost the entire surface			188.50	188.50		
PARTIAL ANTI-SLIP Fired into the enamel – Slip resistant pattern over part of the surface			99.00	99.00		
OPTIONAL: KALDEWEI PROFESSIONAL INFLOW/OUTFLOW TECHNOLOGY ●¹		PRICE	(I)	(II), (III)	(IV)	
COMFORT LEVEL EXTENDED, CHROME enamelled waste cover and chrome overflow knob	KA 4002 687772340999	215.50				
COMFORT LEVEL PLUS EXTENDED, CHROME with integrated filling function. Requires a non-return valve and connection hose. These are not included.	 KA 4012 687772380999	509.00				
OPTIONAL: KALDEWEI PROFESSIONAL DESIGNER GRIPS ●¹		PRICE	(I)	(II), (III)	(IV)	
GRIP DISCREET OPULENCE Type A (1 grip), chrome	5906 7000 0999	214.50				
OPTIONAL: KALDEWEI EXPERIENCE ●¹		PRICE	(I)	(II), (III)	(IV)	
SOUND WAVE SOUND WAVE can be used with all KALDEWEI bathtubs, except models with support and whirl systems!	6801 5845 7610 0000	651.00				
OPTIONAL: KALDEWEI SILENCE PLUS ●¹		PRICE	(I)	(II), (III)	(IV)	
BATH SOUND ABSORBING SET	6876 7573 0000	45.00				

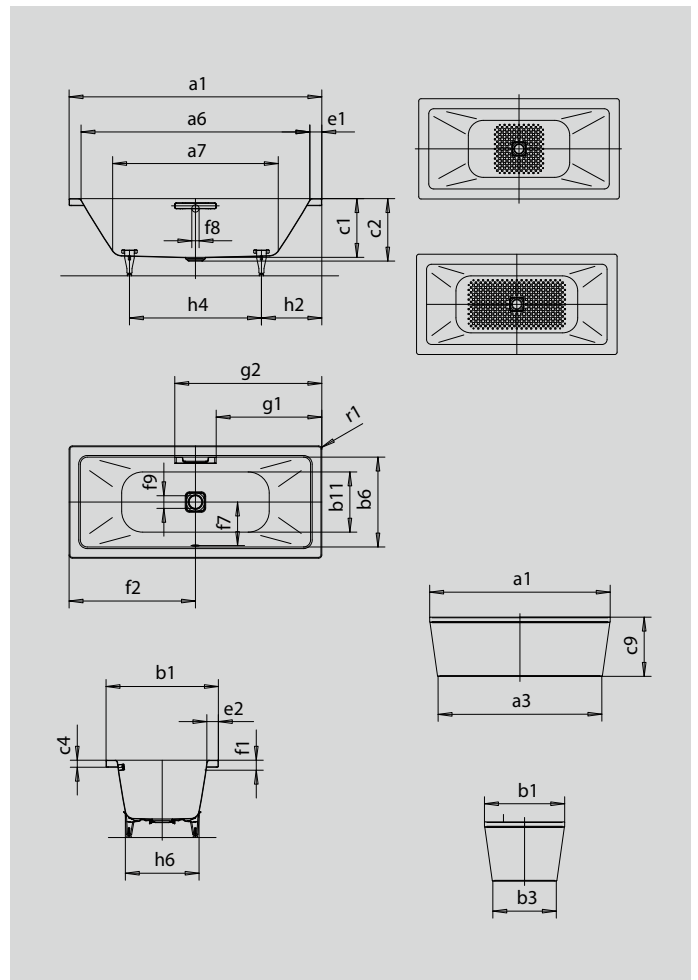
Wellness systems can be found from page 157.

CONODUO FREESTANDING

- straightlined, purist design
- enamelled waste cover and overflow knob integrated in the bath design (also available with filling function)
- classic four-cornered model
- the moulded panel emphasises the high design standard and enables the bath to be freestanding
- bathing with a friend: two identical back rests and centrally positioned waste
- made of KALDEWEI steel enamel
- designed by Sottsass Associati



Similar illustration




GRIP ELEGANT PURISM



Model		734	735
External length	a ₁	1900	2000 mm
External length (bottom)	a ₃	1733	1833 mm
Internal length (top)	a ₆	1740	1800 mm
Internal length (bottom)	a ₇	1280	1340 mm
External width	b ₁	900	1000 mm
External width (bottom)	b ₃	733	833 mm
Internal width (top)	b ₆	740	800 mm
Internal width (bottom)	b ₁₁	620	680 mm
Depth inside	c ₁	420	420 mm
Depth incl. waste hole	c ₂	445	445 mm
Height of rim	c ₃	50	50 mm
Overall height with panel	c ₉	590	590 mm
Width of rim (foot end; long side)	e ₁ ; e ₂	80; 80	100; 100 mm
Distance top edge to centre of overflow hole	f ₁	70	70 mm
Distance bath edge to centre of waste hole	f ₂	950	1000 mm
Distance centre of waste hole to centre of overflow hole	f ₇	360	390 mm
Diameter of overflow hole	f ₈	Ø 52	Ø 52 mm
Diameter of waste hole	f ₉	Ø 90	Ø 90 mm
Distance bath edge (foot end) to start of grip	g ₁	802	852 mm
Distance bath edge (foot end) to end of grip	g ₂	1098	1148 mm
Distance foot end of bath edge to centre of foot	h ₂	570	620 mm
Distance between the feet	h ₄	760	760 mm
Width of feet max.	h ₆	610	675 mm
External radius	r ₁	23	23 mm
Water volume		220	260 l
Net weight		100	112 kg
Anti-slip		500 x 500	500 x 500 mm
Full anti-slip		980 x 500	980 x 500 mm

Subject to technical alterations, tolerances and errors. Similar illustration. 70 litres displacement on average.

KALDEWEI

	Model Order No.	Dimensions mm	Colour price groups			GBP
			Alpine White (I)	Sanitary Colours (II, III)	Coord. Colours (IV)	
CONODUO FREESTANDING (Special PU coated panel) Special waste and overflow set for CONODUO including flexible waste hose and special feet Mod. 5037 Bathtub and panel in the same colour Bathtub colour can be selected from the available colours Available panel colours see below. In the case of a two-tone version, the price of the higher CPG applies.	734-7 2352xxxxxxx	1900 x 900 x 420	3,510.00	4,565.00	4,565.00	
	735-7 2353xxxxxxx	2000 x 1000 x 420	3,809.00	4,950.00	4,950.00	
Version with grip holes on one side available.			without extra charge	without extra charge	without extra charge	
Version with panelling in alpine white	xxxx 4923 xxxx		see CPG	see CPG	see CPG	
Version with panelling in black	xxxx 4913 xxxx		see CPG	see CPG	see CPG	
Version with panelling in alpine white matt	xxxx 4641 xxxx		see CPG	see CPG	see CPG	
Version with panelling in black matt 100	xxxx 4642 xxxx		see CPG	see CPG	see CPG	
OPTIONAL: KALDEWEI PERFECTION SURFACE FINISHES		PRICE	(I)	(II), (III)	(IV)	
EXTRA CHARGE FOR EASY-CLEAN FINISH	xxxxxxx 3 xxx		86.00	86.00		
FULL ANTI-SLIP Fired into the enamel – Slip resistant pattern over almost the entire surface			188.50	188.50		
PARTIAL ANTI-SLIP Fired into the enamel – Slip resistant pattern over part of the surface			99.00	99.00		
REQUIRED: ACCESSORY ●¹		PRICE	(I)	(II), (III)	(IV)	
SPECIAL WASTE AND OVERFLOW FITTING with enamelled waste cover and enamelled overflow knob	KA 4080 6877 7200 xxxx		245.00	318.00	318.00	
SPECIAL WASTE AND OVERFLOW FITTING with integrated filling function, enamelled waste cover and overflow knob. Requires a non-return valve and connection hose, which are not included.	 KA 4081 6877 7202 xxxx		530.00	688.00	688.00	
OPTIONAL: KALDEWEI PROFESSIONAL DESIGNER GRIPS ●¹		PRICE	(I)	(II), (III)	(IV)	
GRIP ELEGANT PURISM Type A (1 grip), chrome	5904 7000 999	269.00				
OPTIONAL: KALDEWEI EXPERIENCE ●¹		PRICE	(I)	(II), (III)	(IV)	
SOUND WAVE SOUND WAVE can be used with all KALDEWEI bathtubs, except models with support and whirl systems!	6801 5845 7610 0000	651.00				
OPTIONAL: KALDEWEI SILENCE PLUS ●¹		PRICE	(I)	(II), (III)	(IV)	
BATH SOUND ABSORBING SET	6876 7573 0000	45.00				

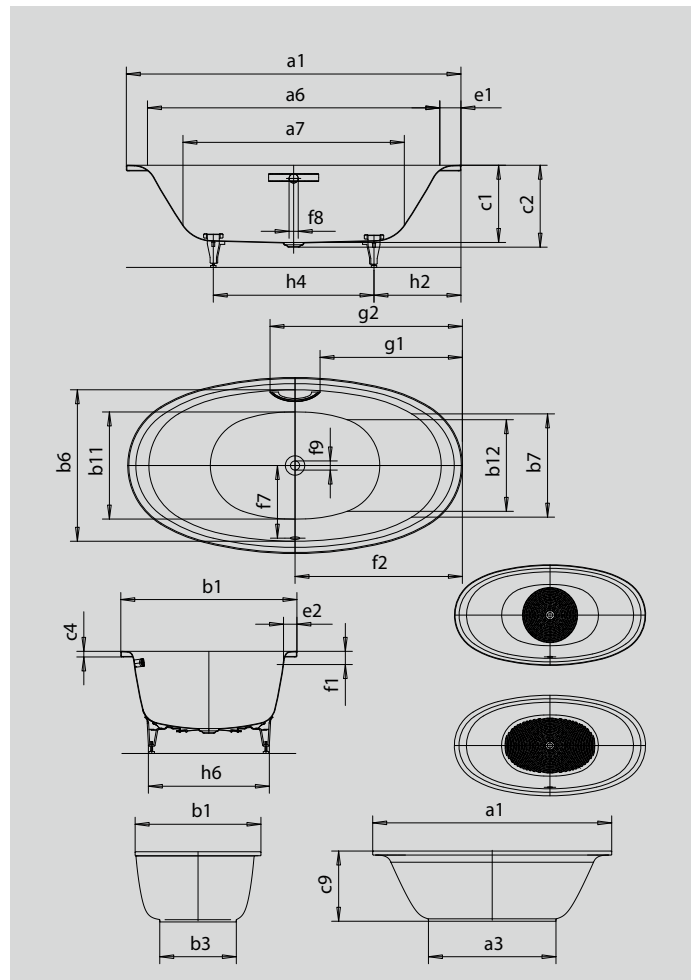
Wellness systems can be found from page 157.

ELLIPSO DUO OVAL FREESTANDING

- gently shaped shoulder rest for more pleasure and comfort
- elliptical exterior form reflects the interior form
- enamelled waste cover and overflow knob integrated in the bath design (also available with filling function)
- the moulded panel emphasises the high design standard and enables the bath to be freestanding
- bathing with a friend: two identical back rests and centrally positioned waste
- made of KALDEWEI steel enamel



Similar illustration




GRIP DISCREET OPULENCE



Model		232
External length	a ₁	1900 mm
External length (bottom)	a ₃	1013 mm
Internal length (top)	a ₆	1660 mm
Internal length (bottom)	a ₇	1260 mm
External width	b ₁	1000 mm
External width (bottom)	b ₃	608 mm
Internal width (top)	b ₆ ; b ₇	860; 585 mm
Internal width (bottom)	b ₁₁ ; b ₁₂	610; 520 mm
Depth inside	c ₁	440 mm
Depth incl. waste hole	c ₂	465 mm
Height of rim	c ₄	32 mm
Overall height with panel	c ₉	558 mm
Width of rim (foot end; long side)	e ₁ ; e ₂	120; 65 mm
Distance top edge to centre of overflow hole	f ₁	75 mm
Distance bath edge to centre of waste hole	f ₂	950 mm
Distance centre of waste hole to centre of overflow hole	f ₇	421 mm
Diameter of overflow hole	f ₈	Ø 52 mm
Diameter of waste hole	f ₉	Ø 52 mm
Distance bath edge (foot end) to start of grip	g ₁	808 mm
Distance bath edge (foot end) to end of grip	g ₂	1092 mm
Distance foot end of bath edge to centre of foot	h ₂	585 mm
Distance between the feet	h ₄	730 mm
Width of feet max.	h ₆	620 mm
Water volume		214 l
Net weight		76 kg
Diameter of anti-slip		Ø 587 mm
Full anti-slip		900 x 546 mm

Subject to technical alterations, tolerances and errors. Similar illustration. 70 litres displacement on average.

KALDEWEI

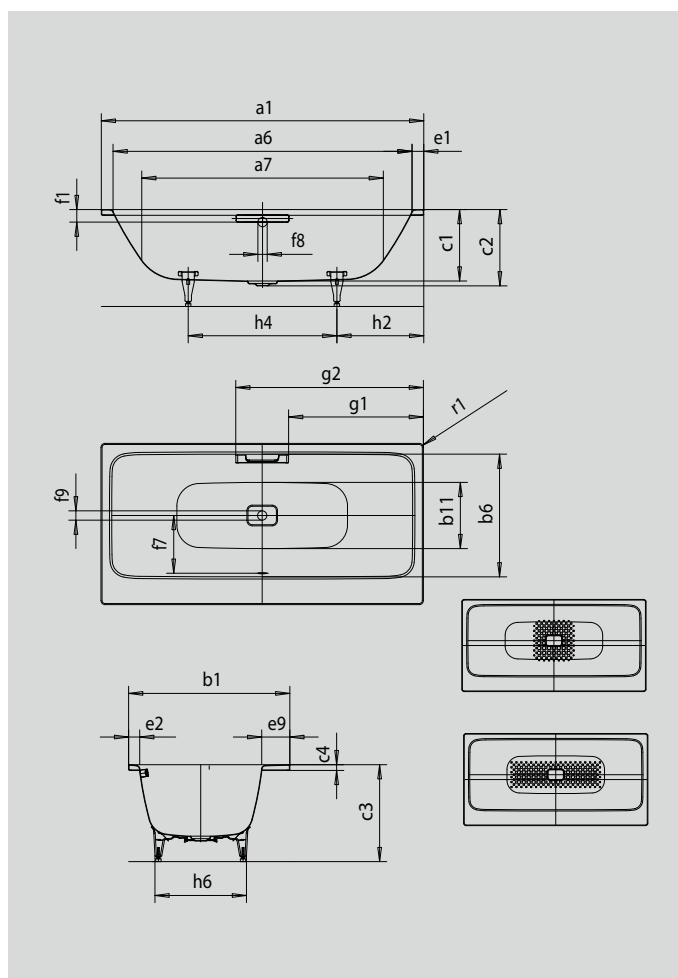
	Model Order No.	Dimensions mm	Colour price groups			GBP
			Alpine White (I)	Sanitary Colours (II, III)	Coord. Colours (IV)	
ELLIPSO DUO OVAL FREESTANDING (Special PU coated panel) including flexible waste hose and special feet Bathtub and panel in the same colour Bathtub colour can be selected from the available colours Available panel colours see below. In the case of a two-tone version, the price of the higher CPG applies.	232-7 2862xxxxxxx	1900 x 1000 x 440	3,510.00	4,563.00	4,563.00	
Version with grip holes on one side available.			without extra charge	without extra charge	without extra charge	
Version with panelling in alpine white	xxxx 4923 xxxx		see CPG	see CPG	see CPG	
Version with panelling in black	xxxx 4913 xxxx		see CPG	see CPG	see CPG	
Version with panelling in alpine white matt	xxxx 4641 xxxx		see CPG	see CPG	see CPG	
Version with panelling in black matt 100	xxxx 4642 xxxx		see CPG	see CPG	see CPG	
OPTIONAL: KALDEWEI PERFECTION SURFACE FINISHES		PRICE	(I)	(II), (III)	(IV)	
EXTRA CHARGE FOR EASY-CLEAN FINISH	xxxxxxx3xxx		86.00	86.00		
FULL ANTI-SLIP Fired into the enamel – Slip resistant pattern over almost the entire surface			188.50	188.50		
PARTIAL ANTI-SLIP Fired into the enamel – Slip resistant pattern over part of the surface			99.00	99.00		
REQUIRED: ACCESSORY ●¹		PRICE	(I)	(II), (III)	(IV)	
SPECIAL WASTE AND OVERFLOW FITTING with enamelled waste cover and enamelled overflow knob	KA 4040 6877 7208 xxxx		245.00	318.00	318.00	
SPECIAL WASTE AND OVERFLOW FITTING with integrated filling function, enamelled waste cover and overflow knob. Requires a non-return valve and connection hose, which are not included.	 KA 4041 6877 7210 xxxx		530.00	688.00	688.00	
OPTIONAL: KALDEWEI PROFESSIONAL DESIGNER GRIPS ●¹		PRICE	(I)	(II), (III)	(IV)	
GRIP DISCREET OPULENCE Type C (1 grip), chrome	5902 7000 999	269.00				
OPTIONAL: KALDEWEI SILENCE PLUS ●¹		PRICE	(I)	(II), (III)	(IV)	
BATH SOUND ABSORBING SET	6876 7573 0000	45.00				

ASYMMETRIC DUO

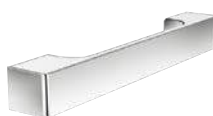
- exciting contrast between the clear lines of the bath rim and the flowing, ergonomic design language of the interior
- generously sized storage area that can also be used as a sit or to accommodate bath rim tap fittings
- enamelled waste cover and overflow knob integrated in the bath design (also available with filling function)
- bathing with a friend: two identical back rests and centrally positioned waste
- made of KALDEWEI steel enamel



Similar illustration




GRIP ELEGANT PURISM



Model		740	742	744
External length	a ₁	1700	1800	1900 mm
Internal length (top)	a ₆	1570	1670	1770 mm
Internal length (bottom)	a ₇	1246	1348	1484 mm
External width	b ₁	800	900	1000 mm
Internal width (top)	b ₆	616	681	751 mm
Internal width (bottom)	b ₁₁	500	600	646 mm
Depth inside	c ₁	400	400	400 mm
Depth incl. waste hole	c ₂	425	425	425 mm
Height with feet	c ₃	540 - 560	540 - 560	540 - 560 mm
Height of rim	c ₄	32	32	32 mm
Shelf	e ₉	122	157	187 mm
Width of rim (foot end; long side)	e ₁ ; e ₂	65; 62	65; 62	65; 62 mm
Distance top edge to centre of overflow hole	f ₁	70	70	70 mm
Distance bath edge to centre of waste hole	f ₂	850	900	950 mm
Distance centre of waste hole to centre of overflow hole	f ₇	300	335	370 mm
Diameter of overflow hole	f ₈	Ø 52	Ø 52	Ø 52 mm
Diameter of waste hole	f ₉	Ø 52	Ø 52	Ø 52 mm
Distance bath edge (foot end) to start of grip	g ₁	702	753	802 mm
Distance bath edge (foot end) to end of grip	g ₂	998	1048	1098 mm
Distance foot end of bath edge to centre of foot	h ₂	550	580	585 mm
Distance between the feet	h ₄	600	640	730 mm
Width of feet max.	h ₆	445	525	585 mm
External radius	r ₁	23	23	23 mm
Water volume		123	163	208 l
Net weight		49	52	64 kg
Partial anti-slip		348 x 348	396 x 396	396 x 396 mm
Full anti-slip		740 x 252	876 x 252	924 x 348 mm

Subject to technical alterations, tolerances and errors. Similar illustration. 70 litres displacement on average.

KALDEWEI

	Model Order No.	Dimensions mm	Colour price groups			GBP
			Alpine White (I)	Sanitary Colours (II, III)	Coord. Colours (IV)	
ASYMMETRIC DUO	740 27400001xxxx	1700 x 800 x 400	1,222.00	1,589.00	1,589.00	
	742 27420001xxxx	1800 x 900 x 400	1,540.00	2,003.00	2,003.00	
	744 27440001xxxx	1900 x 1000 x 400	2,134.00	2,774.00	2,774.00	
Design with opposite overflow available	xxxx 2300 xxxx		without extra charge	without extra charge	without extra charge	
Model with grip holes on one side available	xxxx 1011 xxxx		without extra charge	without extra charge	without extra charge	
OPTIONAL: KALDEWEI PERFECTION SURFACE FINISHES		PRICE	(I)	(II), (III)	(IV)	
EXTRA CHARGE FOR EASY-CLEAN FINISH	xxxxxxx 3 xxx		86.00	86.00		
FULL ANTI-SLIP Fired into the enamel – Slip resistant pattern over almost the entire surface			188.50	188.50		
PARTIAL ANTI-SLIP Fired into the enamel – Slip resistant pattern over part of the surface			99.00	99.00		
REQUIRED: ACCESSORY ●¹		PRICE	(I)	(II), (III)	(IV)	
SPECIAL WASTE AND OVERFLOW FITTING with enamelled waste cover and enamelled overflow knob	KA 4060 68777204xxxx		245.00	318.00	318.00	
SPECIAL WASTE AND OVERFLOW FITTING with integrated filling function, enamelled waste cover and overflow knob. Requires a non-return valve and connection hose, which are not included. 	KA 4061 68777206xxxx		530.00	688.00	688.00	
OPTIONAL: KALDEWEI PROFESSIONAL INSTALLATION ●¹		PRICE	(I)	(II), (III)	(IV)	
SPECIAL PEDESTAL MOD.5037	58317000000	63.50				
OPTIONAL: KALDEWEI PROFESSIONAL DESIGNER GRIPS ●¹		PRICE	(I)	(II), (III)	(IV)	
GRIP ELEGANT PURISM Type A (1 grip), chrome	59047000999	269.00				
OPTIONAL: KALDEWEI EXPERIENCE ●¹		PRICE	(I)	(II), (III)	(IV)	
SOUND WAVE SOUND WAVE can be used with all KALDEWEI bathtubs, except models with support and whirl systems!	6801 58457610000	651.00				
OPTIONAL: KALDEWEI PROFESSIONAL WATERPROOF ●¹		PRICE	(I)	(II), (III)	(IV)	
SEALING KIT FLEX	68972052000	48.50				
OPTIONAL: KALDEWEI SILENCE PLUS ●¹		PRICE	(I)	(II), (III)	(IV)	
BATH SOUND ABSORBING SET	68767573000	45.00				

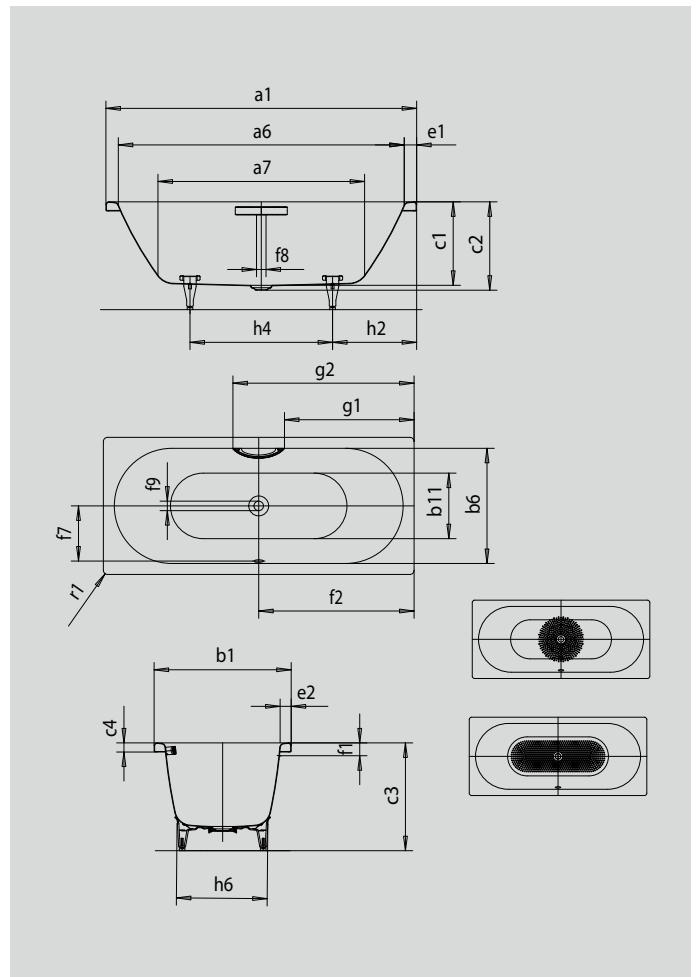
Wellness systems can be found from page 157.

CENTRO DUO

- pure simplicity and unpretentious elegance distinguish these baths
- enamelled waste cover and overflow knob integrated in the bath design (also available with filling function)
- classic four-cornered model
- bathing with a friend: two identical back rests and centrally positioned waste
- made of KALDEWEI steel enamel



Similar illustration




GRIP DISCREET OPULENCE



Model		132	133
External length	a ₁	1700	1800 mm
Internal length (top)	a ₆	1580	1680 mm
Internal length (bottom)	a ₇	1130	1230 mm
External width	b ₁	750	800 mm
Internal width (top)	b ₆	630	680 mm
Internal width (bottom)	b ₁₁	510	560 mm
Depth inside	c ₁	460	460 mm
Depth incl. waste hole	c ₂	485	485 mm
Height with feet	c ₃	605 - 640	595 - 630 mm
Height of rim	c ₄	50	50 mm
Width of rim (foot end; long side)	e ₁ ; e ₂	60; 60	60; 60 mm
Distance top edge to centre of overflow hole	f ₁	70	70 mm
Distance bath edge to centre of waste hole	f ₂	850	900 mm
Distance centre of waste hole to centre of overflow hole	f ₇	307	332 mm
Diameter of overflow hole	f ₈	Ø 52	Ø 52 mm
Diameter of waste hole	f ₉	Ø 52	Ø 52 mm
Distance bath edge (foot end) to start of grip	g ₁	707	757 mm
Distance bath edge (foot end) to end of grip	g ₂	993	1043 mm
Distance foot end of bath edge to centre of foot	h ₂	560	600 mm
Distance between the feet	h ₄	580	600 mm
Width of feet max.	h ₅	465	540 mm
External radius	r ₁	23	23 mm
Water volume		156	195 l
Net weight		52	58 kg
Pedestal		5030	5032
Diameter of anti-slip		Ø 435	Ø 435 mm
Full anti-slip		900 x 300	900 x 300 mm

Subject to technical alterations, tolerances and errors. Similar illustration. 70 litres displacement on average.

KALDEWEI

	Model Order No.	Dimensions mm	Colour price groups			GBP
			Alpine White (I)	Sanitary Colours (II, III)	Coord. Colours (IV)	
CENTRO DUO for Model 132 base frame Allround Mod. 5030 for Model 133 special base frame 5032	132 28320001xxxx	1700 x 750 x 460	1,618.00	2,101.00	2,101.00	
	133 28330001xxxx	1800 x 800 x 460	2,022.00	2,628.00	2,628.00	
Model with grip holes on one side available	xxxx1011xxxx		without extra charge	without extra charge	without extra charge	
OPTIONAL: KALDEWEI PERFECTION SURFACE FINISHES		PRICE	(I)	(II), (III)	(IV)	
EXTRA CHARGE FOR EASY-CLEAN FINISH	xxxxxxx3xxx		86.00	86.00		
FULL ANTI-SLIP Fired into the enamel – Slip resistant pattern over almost the entire surface			188.50	188.50		
PARTIAL ANTI-SLIP Fired into the enamel – Slip resistant pattern over part of the surface			99.00	99.00		
REQUIRED: ACCESSORY ●¹		PRICE	(I)	(II), (III)	(IV)	
SPECIAL WASTE AND OVERFLOW FITTING with enamelled waste cover and enamelled overflow knob	KA 4040 68777208xxxx		245.00	318.00	318.00	
SPECIAL WASTE AND OVERFLOW FITTING with integrated filling function, enamelled waste cover and overflow knob. Requires a non-return valve and connection hose, which are not included.	 KA 4041 68777210xxxx		530.00	688.00	688.00	
OPTIONAL: KALDEWEI PROFESSIONAL INSTALLATION ●¹		PRICE	(I)	(II), (III)	(IV)	
PEDESTAL ALLROUND 5030	581470000000	45.00				
SPECIAL PEDESTAL MOD.5032	581670000000	63.50				
OPTIONAL: KALDEWEI PROFESSIONAL DESIGNER GRIPS ●¹		PRICE	(I)	(II), (III)	(IV)	
GRIP DISCREET OPULENCE Type A (1 grip), chrome	59007000999	269.00				
OPTIONAL: KALDEWEI EXPERIENCE ●¹		PRICE	(I)	(II), (III)	(IV)	
SOUND WAVE SOUND WAVE can be used with all KALDEWEI bathtubs, except models with support and whirl systems!	6801 584576100000	651.00				
OPTIONAL: KALDEWEI PROFESSIONAL WATERPROOF ●¹		PRICE	(I)	(II), (III)	(IV)	
SEALING KIT FLEX	689720520000	48.50				
OPTIONAL: KALDEWEI SILENCE PLUS ●¹		PRICE	(I)	(II), (III)	(IV)	
BATH SOUND ABSORBING SET	687675730000	45.00				

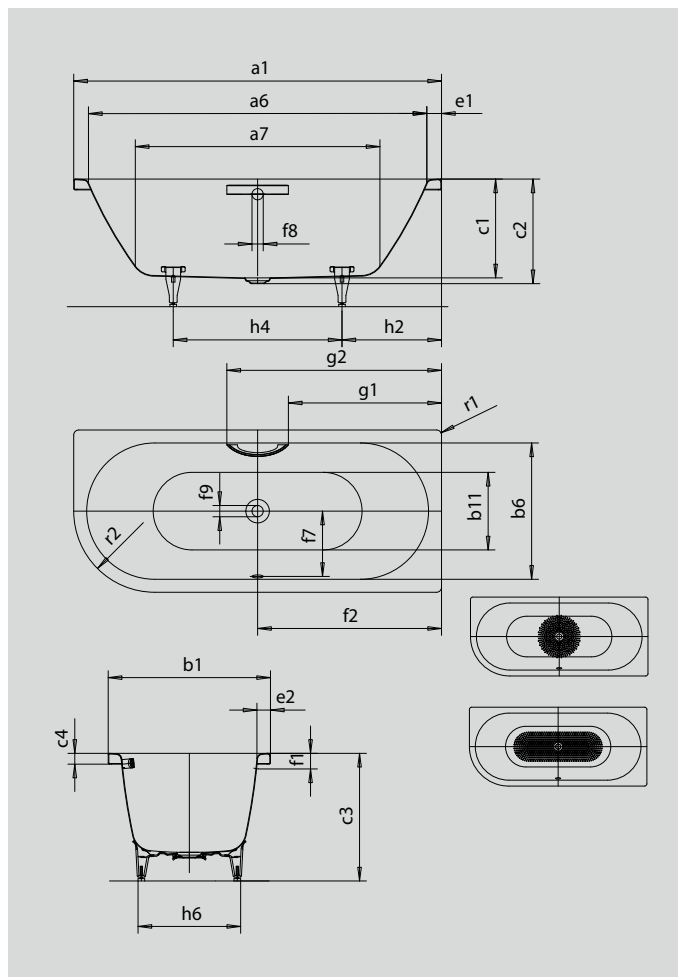
Wellness systems can be found from page 157.

CENTRO DUO 1 LEFT

- pure simplicity and unpretentious elegance distinguish these baths
- enamelled waste cover and overflow knob integrated in the bath design (also available with filling function)
- bathing with a friend: two identical back rests and centrally positioned waste
- made of KALDEWEI steel enamel



Similar illustration




GRIP DISCREET OPULENCE



Model		129	136
External length	a ₁	1700	1800 mm
Internal length (top)	a ₆	1580	1680 mm
Internal length (bottom)	a ₇	1130	1230 mm
External width	b ₁	750	800 mm
Internal width (top)	b ₆	630	680 mm
Internal width (bottom)	b ₁₁	510	560 mm
Depth inside	c ₁	460	460 mm
Depth incl. waste hole	c ₂	485	485 mm
Height with feet	c ₃	605 - 640	595 - 630 mm
Height of rim	c ₄	50	50 mm
Width of rim (foot end; long side)	e ₁ ; e ₂	60; 60	60; 60 mm
Distance top edge to centre of overflow hole	f ₁	70	70 mm
Distance bath edge to centre of waste hole	f ₂	850	900 mm
Distance centre of waste hole to centre of overflow hole	f ₇	307	332 mm
Diameter of overflow hole	f ₈	Ø 52	Ø 52 mm
Diameter of waste hole	f ₉	Ø 52	Ø 52 mm
Distance bath edge (foot end) to start of grip	g ₁	708	758 mm
Distance bath edge (foot end) to end of grip	g ₂	992	1042 mm
Distance foot end of bath edge to centre of foot	h ₂	560	600 mm
Distance between the feet	h ₄	580	600 mm
Width of feet max.	h ₆	465	540 mm
External radius	r ₁	23	23 mm
External radius	r ₂	375	400 mm
Water volume		156	195 l
Net weight		53	56 kg
Pedestal		5030	5032
Diameter of anti-slip		Ø 435	Ø 435 mm
Full anti-slip		900 x 300	900 x 300 mm

Subject to technical alterations, tolerances and errors. Similar illustration. 70 litres displacement on average.

KALDEWEI

	Model Order No.	Dimensions mm	Colour price groups			GBP
			Alpine White (I)	Sanitary Colours (II, III)	Coord. Colours (IV)	
CENTRO DUO 1 LEFT for Model 129 base frame Allround Mod. 5030 for Model 136 special base frame 5032	129 28290001xxxx	1700 x 750 x 460	2,367.00	3,077.00	3,077.00	
	136 28360001xxxx	1800 x 800 x 460	2,942.00	3,824.00	3,824.00	
Model with grip holes on one side available	xxxx1011xxxx		without extra charge	without extra charge	without extra charge	
OPTIONAL: KALDEWEI PERFECTION SURFACE FINISHES		PRICE	(I)	(II), (III)	(IV)	
EXTRA CHARGE FOR EASY-CLEAN FINISH	xxxxxxx3xxx		86.00	86.00		
FULL ANTI-SLIP Fired into the enamel – Slip resistant pattern over almost the entire surface			188.50	188.50		
PARTIAL ANTI-SLIP Fired into the enamel – Slip resistant pattern over part of the surface			99.00	99.00		
REQUIRED: ACCESSORY ●¹		PRICE	(I)	(II), (III)	(IV)	
SPECIAL WASTE AND OVERFLOW FITTING with enamelled waste cover and enamelled overflow knob	KA 4040 68777208xxxx		245.00	318.00	318.00	
SPECIAL WASTE AND OVERFLOW FITTING with integrated filling function, enamelled waste cover and overflow knob. Requires a non-return valve and connection hose, which are not included.	 KA 4041 68777210xxxx		530.00	688.00	688.00	
OPTIONAL: KALDEWEI PROFESSIONAL INSTALLATION ●¹		PRICE	(I)	(II), (III)	(IV)	
PEDESTAL ALLROUND 5030	581470000000	45.00				
SPECIAL PEDESTAL MOD.5032	581670000000	63.50				
OPTIONAL: KALDEWEI PROFESSIONAL DESIGNER GRIPS ●¹		PRICE	(I)	(II), (III)	(IV)	
GRIP DISCREET OPULENCE Type A (1 grip), chrome	59007000999	269.00				
OPTIONAL: KALDEWEI EXPERIENCE ●¹		PRICE	(I)	(II), (III)	(IV)	
SOUND WAVE SOUND WAVE can be used with all KALDEWEI bathtubs, except models with support and whirl systems!	6801 584576100000	651.00				
OPTIONAL: KALDEWEI PROFESSIONAL WATERPROOF ●¹		PRICE	(I)	(II), (III)	(IV)	
SEALING KIT FLEX	689720520000	48.50				
OPTIONAL: KALDEWEI SILENCE PLUS ●¹		PRICE	(I)	(II), (III)	(IV)	
BATH SOUND ABSORBING SET	687675730000	45.00				

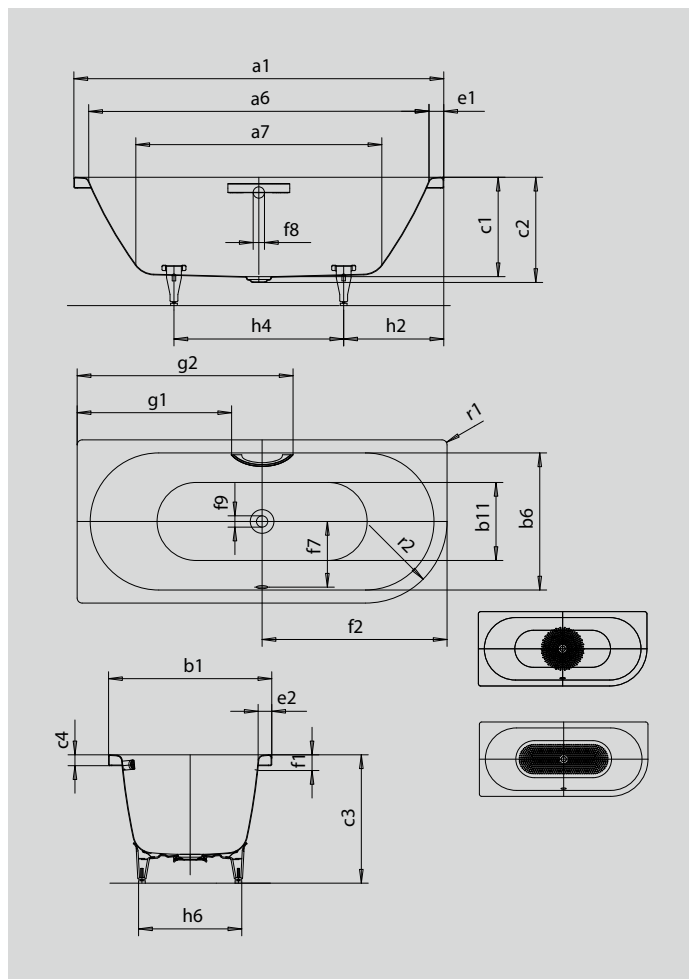
Wellness systems can be found from page 157.

CENTRO DUO 1 RIGHT

- pure simplicity and unpretentious elegance distinguish these baths
- enamelled waste cover and overflow knob integrated in the bath design (also available with filling function)
- bathing with a friend: two identical back rests and centrally positioned waste
- made of KALDEWEI steel enamel



Similar illustration




GRIP DISCREET OPULENCE



Model		130	137
External length	a ₁	1700	1800 mm
Internal length (top)	a ₆	1580	1680 mm
Internal length (bottom)	a ₇	1130	1230 mm
External width	b ₁	750	800 mm
Internal width (top)	b ₆	630	680 mm
Internal width (bottom)	b ₁₁	510	560 mm
Depth inside	c ₁	460	460 mm
Depth incl. waste hole	c ₂	485	485 mm
Height with feet	c ₃	605 - 640	595 - 630 mm
Height of rim	c ₄	50	50 mm
Width of rim (foot end; long side)	e ₁ ; e ₂	60; 60	60; 60 mm
Distance top edge to centre of overflow hole	f ₁	70	70 mm
Distance bath edge to centre of waste hole	f ₂	850	900 mm
Distance centre of waste hole to centre of overflow hole	f ₇	307	332 mm
Diameter of overflow hole	f ₈	Ø 52	Ø 52 mm
Diameter of waste hole	f ₉	Ø 52	Ø 52 mm
Distance bath edge (foot end) to start of grip	g ₁	708	758 mm
Distance bath edge (foot end) to end of grip	g ₂	992	1042 mm
Distance foot end of bath edge to centre of foot	h ₂	560	600 mm
Distance between the feet	h ₄	580	600 mm
Width of feet max.	h ₆	465	540 mm
External radius	r ₁	23	23 mm
External radius	r ₂	375	400 mm
Water volume		156	195 l
Net weight		53	56 kg
Pedestal		5030	5032
Diameter of anti-slip		Ø 435	Ø 435 mm
Full anti-slip		900 x 300	900 x 300 mm

Subject to technical alterations, tolerances and errors. Similar illustration. 70 litres displacement on average.

KALDEWEI

	Model Order No.	Dimensions mm	Colour price groups			GBP
			Alpine White (I)	Sanitary Colours (II, III)	Coord. Colours (IV)	
CENTRO DUO 1 RIGHT for Model 130 base frame Allround Mod. 5030 for Model 137 special base frame 5032	130 28300001xxxx	1700 x 750 x 460	2,367.00	3,077.00	3,077.00	
	137 28370001xxxx	1800 x 800 x 460	2,942.00	3,824.00	3,824.00	
Model with grip holes on one side available	xxxx1011xxxx		without extra charge	without extra charge	without extra charge	
OPTIONAL: KALDEWEI PERFECTION SURFACE FINISHES		PRICE	(I)	(II), (III)	(IV)	
EXTRA CHARGE FOR EASY-CLEAN FINISH	xxxxxxx3xxx		86.00	86.00		
FULL ANTI-SLIP Fired into the enamel – Slip resistant pattern over almost the entire surface			188.50	188.50		
PARTIAL ANTI-SLIP Fired into the enamel – Slip resistant pattern over part of the surface			99.00	99.00		
REQUIRED: ACCESSORY ●¹		PRICE	(I)	(II), (III)	(IV)	
SPECIAL WASTE AND OVERFLOW FITTING with enamelled waste cover and enamelled overflow knob	KA 4040 68777208xxxx		245.00	318.00	318.00	
SPECIAL WASTE AND OVERFLOW FITTING with integrated filling function, enamelled waste cover and overflow knob. Requires a non-return valve and connection hose, which are not included. 	KA 4041 68777210xxxx		530.00	688.00	688.00	
OPTIONAL: KALDEWEI PROFESSIONAL INSTALLATION ●¹		PRICE	(I)	(II), (III)	(IV)	
PEDESTAL ALLROUND 5030	581470000000	45.00				
SPECIAL PEDESTAL MOD.5032	581670000000	63.50				
OPTIONAL: KALDEWEI PROFESSIONAL DESIGNER GRIPS ●¹		PRICE	(I)	(II), (III)	(IV)	
GRIP DISCREET OPULENCE Type A (1 grip), chrome	590070000999	269.00				
OPTIONAL: KALDEWEI EXPERIENCE ●¹		PRICE	(I)	(II), (III)	(IV)	
SOUND WAVE SOUND WAVE can be used with all KALDEWEI bathtubs, except models with support and whirl systems!	6801 584576100000	651.00				
OPTIONAL: KALDEWEI PROFESSIONAL WATERPROOF ●¹		PRICE	(I)	(II), (III)	(IV)	
SEALING KIT FLEX	689720520000	48.50				
OPTIONAL: KALDEWEI SILENCE PLUS ●¹		PRICE	(I)	(II), (III)	(IV)	
BATH SOUND ABSORBING SET	687675730000	45.00				

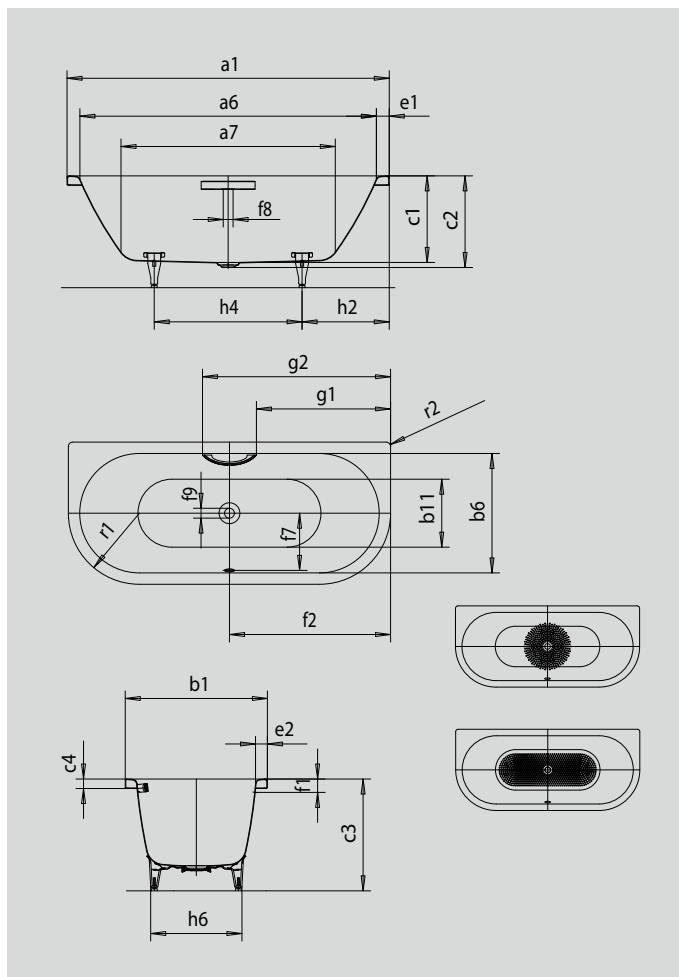
Wellness systems can be found from page 157.

CENTRO DUO 2

- pure simplicity and unpretentious elegance distinguish these baths
- enamelled waste cover and overflow knob integrated in the bath design (also available with filling function)
- bathing with a friend: two identical back rests and centrally positioned waste
- made of KALDEWEI steel enamel



Similar illustration




GRIP DISCREET OPULENCE



Model		131	135
External length	a ₁	1700	1800 mm
Internal length (top)	a ₆	1580	1680 mm
Internal length (bottom)	a ₇	1130	1230 mm
External width	b ₁	750	800 mm
Internal width (top)	b ₆	630	680 mm
Internal width (bottom)	b ₁₁	510	560 mm
Depth inside	c ₁	460	460 mm
Depth incl. waste hole	c ₂	485	485 mm
Height with feet	c ₃	605 - 640	595 - 630 mm
Height of rim	c ₄	50	50 mm
Width of rim (foot end; long side)	e ₁ ; e ₂	60; 60	60; 60 mm
Distance top edge to centre of overflow hole	f ₁	70	70 mm
Distance bath edge to centre of waste hole	f ₂	850	900 mm
Distance centre of waste hole to centre of overflow hole	f ₇	307	332 mm
Diameter of overflow hole	f ₈	Ø 52	Ø 52 mm
Diameter of waste hole	f ₉	Ø 52	Ø 52 mm
Distance bath edge (foot end) to start of grip	g ₁	708	758 mm
Distance bath edge (foot end) to end of grip	g ₂	992	1042 mm
Distance foot end of bath edge to centre of foot	h ₂	560	600 mm
Distance between the feet	h ₄	580	600 mm
Width of feet max.	h ₆	465	540 mm
External radius	r ₁	23	23 mm
External radius	r ₂	375	400 mm
Water volume		156	195 l
Net weight		51	52 kg
Pedestal		5030	5032
Diameter of anti-slip		Ø 435	Ø 435 mm
Full anti-slip		900 x 300	900 x 300 mm

Subject to technical alterations, tolerances and errors. Similar illustration. 70 litres displacement on average.

KALDEWEI

	Model Order No.	Dimensions mm	Colour price groups			GBP
			Alpine White (I)	Sanitary Colours (II, III)	Coord. Colours (IV)	
CENTRO DUO 2 for Model 131 base frame Allround Mod. 5030 for Model 135 special base frame 5032	131 2831 0001 xxxx	1700 x 750 x 460	2,367.00	3,077.00	3,077.00	
	135 2835 0001 xxxx	1800 x 800 x 460	2,942.00	3,824.00	3,824.00	
Model with grip holes on one side available	xxxx 1011 xxxx		without extra charge	without extra charge	without extra charge	
OPTIONAL: KALDEWEI PERFECTION SURFACE FINISHES		PRICE	(I)	(II), (III)	(IV)	
EXTRA CHARGE FOR EASY-CLEAN FINISH	xxxxxxx3xxx		86.00	86.00		
FULL ANTI-SLIP Fired into the enamel – Slip resistant pattern over almost the entire surface			188.50	188.50		
PARTIAL ANTI-SLIP Fired into the enamel – Slip resistant pattern over part of the surface			99.00	99.00		
REQUIRED: ACCESSORY ●¹		PRICE	(I)	(II), (III)	(IV)	
SPECIAL WASTE AND OVERFLOW FITTING with enamelled waste cover and enamelled overflow knob	KA 4040 6877 7208 xxxx		245.00	318.00	318.00	
SPECIAL WASTE AND OVERFLOW FITTING with integrated filling function, enamelled waste cover and overflow knob. Requires a non-return valve and connection hose, which are not included.	 KA 4041 6877 7210 xxxx		530.00	688.00	688.00	
OPTIONAL: KALDEWEI PROFESSIONAL INSTALLATION ●¹		PRICE	(I)	(II), (III)	(IV)	
PEDESTAL ALLROUND 5030	5814 7000 0000	45.00				
SPECIAL PEDESTAL MOD.5032	5816 7000 0000	63.50				
OPTIONAL: KALDEWEI PROFESSIONAL DESIGNER GRIPS ●¹		PRICE	(I)	(II), (III)	(IV)	
GRIP DISCREET OPULENCE Type A (1 grip), chrome	5900 7000 0999	269.00				
OPTIONAL: KALDEWEI EXPERIENCE ●¹		PRICE	(I)	(II), (III)	(IV)	
SOUND WAVE SOUND WAVE can be used with all KALDEWEI bathtubs, except models with support and whirl systems!	6801 5845 7610 0000	651.00				
OPTIONAL: KALDEWEI PROFESSIONAL WATERPROOF ●¹		PRICE	(I)	(II), (III)	(IV)	
SEALING KIT FLEX	6897 2052 0000	48.50				
OPTIONAL: KALDEWEI SILENCE PLUS ●¹		PRICE	(I)	(II), (III)	(IV)	
BATH SOUND ABSORBING SET	6876 7573 0000	45.00				

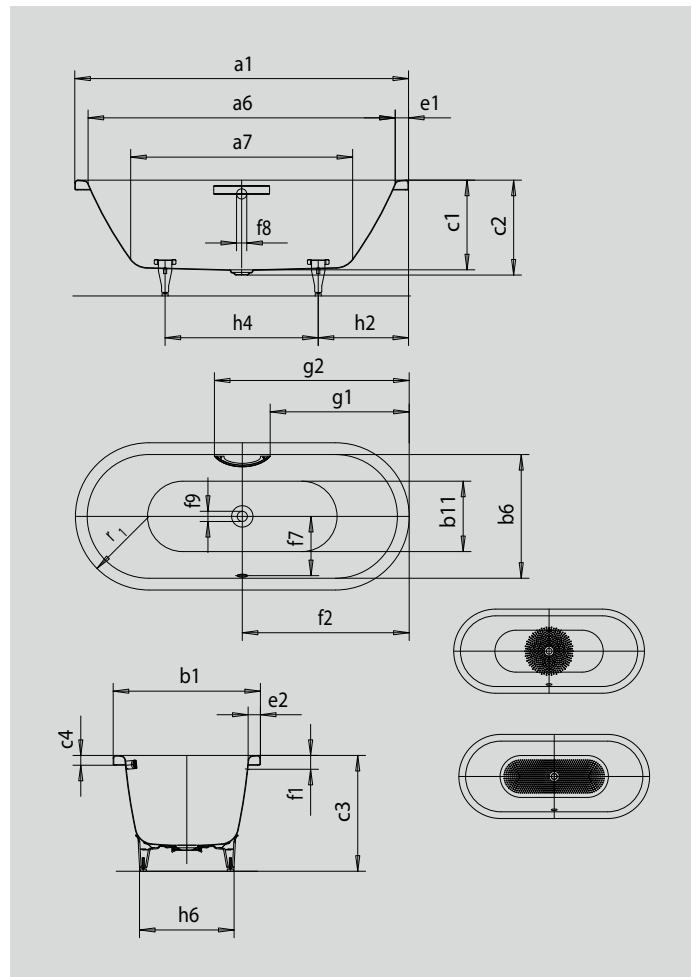
Wellness systems can be found from page 157.

CENTRO DUO OVAL

- pure simplicity and unpretentious elegance distinguish these baths
- enamelled waste cover and overflow knob integrated in the bath design (also available with filling function)
- bathing with a friend: two identical back rests and centrally positioned waste
- made of KALDEWEI steel enamel



Similar illustration




GRIP DISCREET OPULENCE



Model		127	128
External length	a ₁	1700	1800 mm
Internal length (top)	a ₆	1580	1680 mm
Internal length (bottom)	a ₇	1130	1230 mm
External width	b ₁	750	800 mm
Internal width (top)	b ₆	630	680 mm
Internal width (bottom)	b ₁₁	510	560 mm
Depth inside	c ₁	460	460 mm
Depth incl. waste hole	c ₂	485	485 mm
Height with feet	c ₃	605 - 640	595 - 630 mm
Height of rim	c ₄	50	50 mm
Width of rim (foot end; long side)	e ₁ ; e ₂	60; 60	60; 60 mm
Distance top edge to centre of overflow hole	f ₁	70	70 mm
Distance bath edge to centre of waste hole	f ₂	850	900 mm
Distance centre of waste hole to centre of overflow hole	f ₇	307	332 mm
Diameter of overflow hole	f ₈	Ø 52	Ø 52 mm
Diameter of waste hole	f ₉	Ø 52	Ø 52 mm
Distance bath edge (foot end) to start of grip	g ₁	708	758 mm
Distance bath edge (foot end) to end of grip	g ₂	992	1042 mm
Distance foot end of bath edge to centre of foot	h ₂	560	600 mm
Distance between the feet	h ₄	580	600 mm
Width of feet max.	h ₅	465	540 mm
External radius	r ₁	375	400 mm
Water volume		156	195 l
Net weight		48	53 kg
Pedestal		5030	5032
Diameter of anti-slip		Ø 435	Ø 435 mm
Full anti-slip		900 x 300	900 x 300 mm

Subject to technical alterations, tolerances and errors. Similar illustration. 70 litres displacement on average.

KALDEWEI

	Model Order No.	Dimensions mm	Colour price groups			GBP
			Alpine White (I)	Sanitary Colours (II, III)	Coord. Colours (IV)	
CENTRO DUO OVAL for Model 127-1 base frame Allround Mod. 5030 for Model 128-1 special base frame 5032	127-1 28270001xxxx	1700 x 750 x 460	2,367.00	3,077.00	3,077.00	
	128-1 28280001xxxx	1800 x 800 x 460	2,942.00	3,824.00	3,824.00	
Model with grip holes on one side available	xxxx 1011 xxxx		without extra charge	without extra charge	without extra charge	
OPTIONAL: KALDEWEI PERFECTION SURFACE FINISHES		PRICE	(I)	(II), (III)	(IV)	
EXTRA CHARGE FOR EASY-CLEAN FINISH	xxxxxxx3xxx		86.00	86.00		
FULL ANTI-SLIP Fired into the enamel – Slip resistant pattern over almost the entire surface			188.50	188.50		
PARTIAL ANTI-SLIP Fired into the enamel – Slip resistant pattern over part of the surface			99.00	99.00		
REQUIRED: ACCESSORY ●¹		PRICE	(I)	(II), (III)	(IV)	
SPECIAL WASTE AND OVERFLOW FITTING with enamelled waste cover and enamelled overflow knob	KA 4040 68777208xxxx		245.00	318.00	318.00	
SPECIAL WASTE AND OVERFLOW FITTING with integrated filling function, enamelled waste cover and overflow knob. Requires a non-return valve and connection hose, which are not included.	 KA 4041 68777210xxxx		530.00	688.00	688.00	
OPTIONAL: KALDEWEI PROFESSIONAL INSTALLATION ●¹		PRICE	(I)	(II), (III)	(IV)	
PEDESTAL ALLROUND 5030	581470000000	45.00				
SPECIAL PEDESTAL MOD.5032	581670000000	63.50				
OPTIONAL: KALDEWEI PROFESSIONAL DESIGNER GRIPS ●¹		PRICE	(I)	(II), (III)	(IV)	
GRIP DISCREET OPULENCE Type A (1 grip), chrome	59007000999	269.00				
OPTIONAL: KALDEWEI EXPERIENCE ●¹		PRICE	(I)	(II), (III)	(IV)	
SOUND WAVE SOUND WAVE can be used with all KALDEWEI bathtubs, except models with support and whirl systems!	6801 584576100000	651.00				
OPTIONAL: KALDEWEI SILENCE PLUS ●¹		PRICE	(I)	(II), (III)	(IV)	
BATH SOUND ABSORBING SET	687675730000	45.00				

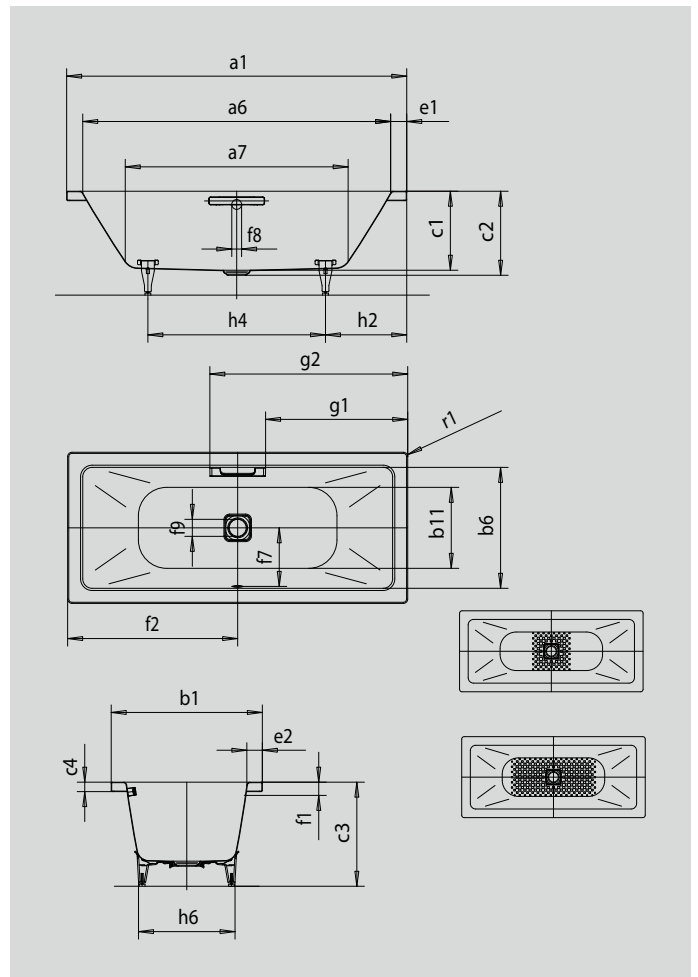
Wellness systems can be found from page 157.

CONODUO

- straightlined, purist design
- enamelled waste cover and overflow knob integrated in the bath design (also available with filling function)
- classic four-cornered model
- bathing with a friend: two identical back rests and centrally positioned waste
- made of KALDEWEI steel enamel
- designed by Sottsass Associati



Similar illustration




GRIP ELEGANT PURISM



Model		732	733
External length	a ₁	1700	1800 mm
Internal length (top)	a ₆	1540	1640 mm
Internal length (bottom)	a ₇	1080	1180 mm
External width	b ₁	750	800 mm
Internal width (top)	b ₆	590	640 mm
Internal width (bottom)	b ₁₁	470	520 mm
Depth inside	c ₁	420	420 mm
Depth incl. waste hole	c ₂	445	445 mm
Height with feet	c ₃	565 - 600	555 - 590 mm
Height of rim	c ₄	50	50 mm
Width of rim (foot end; long side)	e ₁ ; e ₂	80; 80	80; 80 mm
Distance top edge to centre of overflow hole	f ₁	70	70 mm
Distance bath edge to centre of waste hole	f ₂	850	900 mm
Distance centre of waste hole to centre of overflow hole	f ₇	285	310 mm
Diameter of overflow hole	f ₈	Ø 52	Ø 52 mm
Diameter of waste hole	f ₉	Ø 90	Ø 90 mm
Distance bath edge (foot end) to start of grip	g ₁	702	752 mm
Distance bath edge (foot end) to end of grip	g ₂	998	1048 mm
Distance foot end of bath edge to centre of foot	h ₂	555	555 mm
Distance between the feet	h ₄	590	690 mm
Width of feet max.	h ₆	445	515 mm
External radius	r ₁	23	23 mm
Water volume		122	159 l
Net weight		52	57 kg
Anti-slip		356 x 356	404 x 404 mm
Full anti-slip		788 x 356	884 x 404 mm

Subject to technical alterations, tolerances and errors. Similar illustration. 70 litres displacement on average.

KALDEWEI

	Model Order No.	Dimensions mm	Colour price groups			GBP
			Alpine White (I)	Sanitary Colours (II, III)	Coord. Colours (IV)	
CONODUO	732 23500001xxxx	1700 x 750 x 420	1,207.00	1,569.00	1,569.00	
	733 23510001xxxx	1800 x 800 x 420	1,515.00	1,970.00	1,970.00	
Model with grip holes on one side available	xxxx1011xxxx		without extra charge	without extra charge	without extra charge	
OPTIONAL: KALDEWEI PERFECTION SURFACE FINISHES		PRICE	(I)	(II), (III)	(IV)	
EXTRA CHARGE FOR EASY-CLEAN FINISH	xxxxxxx3xxx		86.00	86.00		
FULL ANTI-SLIP Fired into the enamel – Slip resistant pattern over almost the entire surface			188.50	188.50		
PARTIAL ANTI-SLIP Fired into the enamel – Slip resistant pattern over part of the surface			99.00	99.00		
REQUIRED: ACCESSORY ●¹		PRICE	(I)	(II), (III)	(IV)	
SPECIAL WASTE AND OVERFLOW FITTING with enamelled waste cover and enamelled overflow knob	KA 4080 68777200xxxx		245.00	318.00	318.00	
SPECIAL WASTE AND OVERFLOW FITTING with integrated filling function, enamelled waste cover and overflow knob. Requires a non-return valve and connection hose, which are not included.	 KA 4081 68777202xxxx		530.00	688.00	688.00	
OPTIONAL: KALDEWEI PROFESSIONAL INSTALLATION ●¹		PRICE	(I)	(II), (III)	(IV)	
SPECIAL PEDESTAL MOD.5037	583170000000	63.50				
OPTIONAL: KALDEWEI PROFESSIONAL DESIGNER GRIPS ●¹		PRICE	(I)	(II), (III)	(IV)	
GRIP ELEGANT PURISM Type A (1 grip), chrome	590470000999	269.00				
OPTIONAL: KALDEWEI EXPERIENCE ●¹		PRICE	(I)	(II), (III)	(IV)	
SOUND WAVE SOUND WAVE can be used with all KALDEWEI bathtubs, except models with support and whirl systems!	6801 584576100000	651.00				
OPTIONAL: KALDEWEI PROFESSIONAL WATERPROOF ●¹		PRICE	(I)	(II), (III)	(IV)	
SEALING KIT FLEX	689720520000	48.50				
OPTIONAL: KALDEWEI SILENCE PLUS ●¹		PRICE	(I)	(II), (III)	(IV)	
BATH SOUND ABSORBING SET	687675730000	45.00				

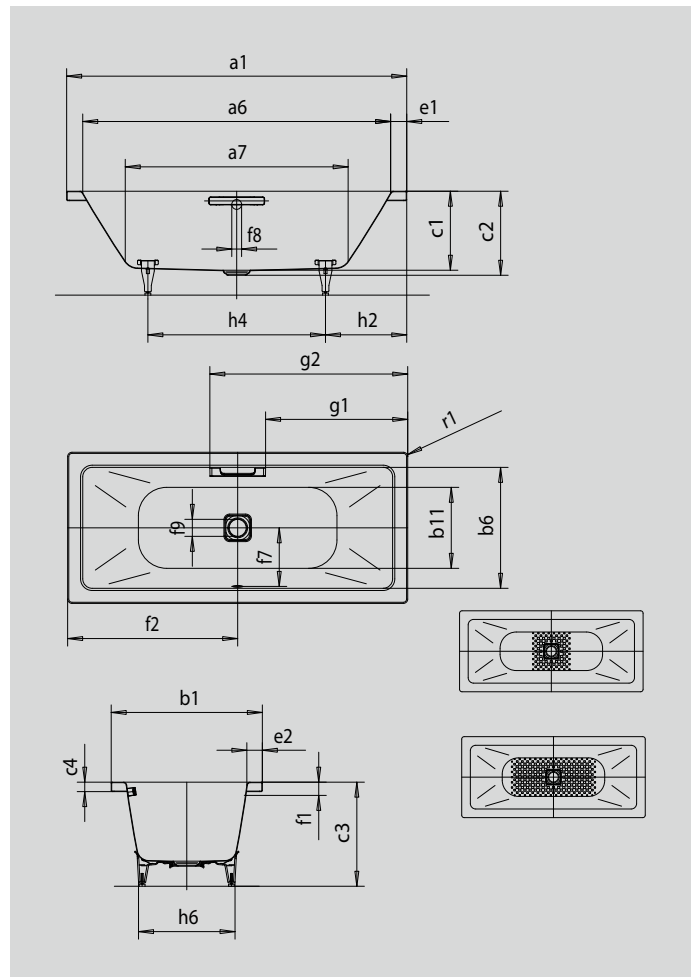
Wellness systems can be found from page 157.

CONODUO

- straightlined, purist design
- enamelled waste cover and overflow knob integrated in the bath design (also available with filling function)
- classic four-cornered model
- bathing with a friend: two identical back rests and centrally positioned waste
- made of KALDEWEI steel enamel
- designed by Sottsass Associati



Similar illustration




GRIP ELEGANT PURISM



Model		734	735
External length	a ₁	1900	2000 mm
Internal length (top)	a ₆	1740	1800 mm
Internal length (bottom)	a ₇	1280	1340 mm
External width	b ₁	900	1000 mm
Internal width (top)	b ₆	740	800 mm
Internal width (bottom)	b ₁₁	620	680 mm
Depth inside	c ₁	420	420 mm
Depth incl. waste hole	c ₂	445	445 mm
Height with feet	c ₃	555 - 590	555 - 590 mm
Height of rim	c ₄	50	50 mm
Width of rim (foot end; long side)	e ₁ ; e ₂	80; 80	100; 100 mm
Distance top edge to centre of overflow hole	f ₁	70	70 mm
Distance bath edge to centre of waste hole	f ₂	950	1000 mm
Distance centre of waste hole to centre of overflow hole	f ₇	360	390 mm
Diameter of overflow hole	f ₈	Ø 52	Ø 52 mm
Diameter of waste hole	f ₉	Ø 90	Ø 90 mm
Distance bath edge (foot end) to start of grip	g ₁	802	852 mm
Distance bath edge (foot end) to end of grip	g ₂	1098	1148 mm
Distance foot end of bath edge to centre of foot	h ₂	570	620 mm
Distance between the feet	h ₄	760	760 mm
Width of feet max.	h ₆	610	675 mm
External radius	r ₁	23	23 mm
Water volume		220	260 l
Net weight		65	74 kg
Anti-slip		500 x 500	500 x 500 mm
Full anti-slip		980 x 500	980 x 500 mm

Subject to technical alterations, tolerances and errors. Similar illustration.
70 litres displacement on average.

KALDEWEI

	Model Order No.	Dimensions mm	Colour price groups			GBP
			Alpine White (I)	Sanitary Colours (II, III)	Coord. Colours (IV)	
CONODUO	734 23520001xxxx	1900 x 900 x 420	2,092.00	2,718.00	2,718.00	
	735 23530001xxxx	2000 x 1000 x 420	2,456.00	3,192.00	3,192.00	
Model with grip holes on one side available	xxxx1011xxxx		without extra charge	without extra charge	without extra charge	
OPTIONAL: KALDEWEI PERFECTION SURFACE FINISHES		PRICE	(I)	(II), (III)	(IV)	
EXTRA CHARGE FOR EASY-CLEAN FINISH	xxxxxxx3xxx		86.00	86.00		
FULL ANTI-SLIP Fired into the enamel – Slip resistant pattern over almost the entire surface			188.50	188.50		
PARTIAL ANTI-SLIP Fired into the enamel – Slip resistant pattern over part of the surface			99.00	99.00		
REQUIRED: ACCESSORY ●¹		PRICE	(I)	(II), (III)	(IV)	
SPECIAL WASTE AND OVERFLOW FITTING with enamelled waste cover and enamelled overflow knob	KA 4080 68777200xxxx		245.00	318.00	318.00	
SPECIAL WASTE AND OVERFLOW FITTING with integrated filling function, enamelled waste cover and overflow knob. Requires a non-return valve and connection hose, which are not included.	 KA 4081 68777202xxxx		530.00	688.00	688.00	
OPTIONAL: KALDEWEI PROFESSIONAL INSTALLATION ●¹		PRICE	(I)	(II), (III)	(IV)	
SPECIAL PEDESTAL MOD.5037	583170000000	63.50				
OPTIONAL: KALDEWEI PROFESSIONAL DESIGNER GRIPS ●¹		PRICE	(I)	(II), (III)	(IV)	
GRIP ELEGANT PURISM Type A (1 grip), chrome	59047000999	269.00				
OPTIONAL: KALDEWEI EXPERIENCE ●¹		PRICE	(I)	(II), (III)	(IV)	
SOUND WAVE SOUND WAVE can be used with all KALDEWEI bathtubs, except models with support and whirl systems!	6801 584576100000	651.00				
OPTIONAL: KALDEWEI PROFESSIONAL WATERPROOF ●¹		PRICE	(I)	(II), (III)	(IV)	
SEALING KIT FLEX	689720520000	48.50				
OPTIONAL: KALDEWEI SILENCE PLUS ●¹		PRICE	(I)	(II), (III)	(IV)	
BATH SOUND ABSORBING SET	687675730000	45.00				

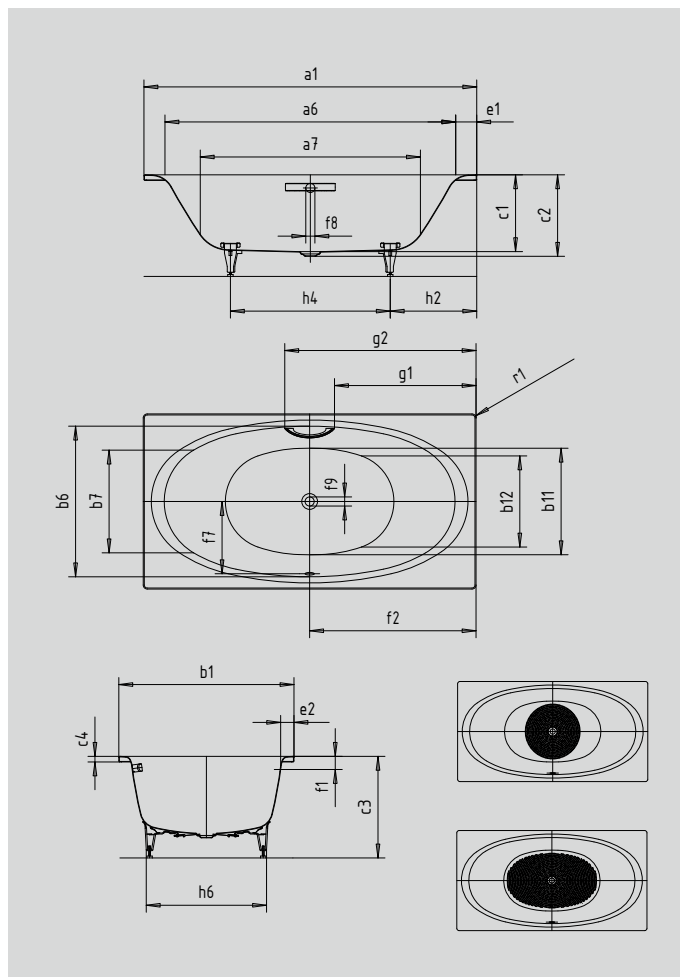
Wellness systems can be found from page 157.

ELLIPSO DUO

- gently shaped shoulder rest for more pleasure and comfort
- classic four-cornered model
- enamelled waste cover and overflow knob integrated in the bath design (also available with filling function)
- bathing with a friend: two identical back rests and centrally positioned waste
- made of KALDEWEI steel enamel



Similar illustration




GRIP DISCREET OPULENCE



Model		230
External length	a ₁	1900 mm
Internal length (top)	a ₆	1660 mm
Internal length (bottom)	a ₇	1260 mm
External width	b ₁	1000 mm
Internal width (top)	b ₆ ; b ₇	860; 585 mm
Internal width (bottom)	b ₁₁ ; b ₁₂	610; 520 mm
Depth inside	c ₁	440 mm
Depth incl. waste hole	c ₂	465 mm
Height with feet	c ₃	565 - 595 mm
Height of rim	c ₄	32 mm
Width of rim (foot end; long side)	e ₁ ; e ₂	120; 65 mm
Distance top edge to centre of overflow hole	f ₁	75 mm
Distance bath edge to centre of waste hole	f ₂	950 mm
Distance centre of waste hole to centre of overflow hole	f ₇	421 mm
Diameter of overflow hole	f ₈	Ø 52 mm
Diameter of waste hole	f ₉	Ø 52 mm
Distance bath edge (foot end) to start of grip	g ₁	808 mm
Distance bath edge (foot end) to end of grip	g ₂	1092 mm
Distance foot end of bath edge to centre of foot	h ₂	585 mm
Distance between the feet	h ₄	730 mm
Width of feet max.	h ₆	620 mm
External radius	r ₁	23 mm
Water volume		214 l
Net weight		59 kg
Diameter of anti-slip		Ø 587 mm
Full anti-slip		900 x 546 mm

Subject to technical alterations, tolerances and errors. Similar illustration. 70 litres displacement on average.

KALDEWEI

	Model Order No.	Dimensions mm	Colour price groups			GBP
			Alpine White (I)	Sanitary Colours (II, III)	Coord. Colours (IV)	
ELLIPSO DUO	230 28600001xxxx	1900 x 1000 x 440	2,257.00	2,934.00	2,934.00	
Model with grip holes on one side available	xxxx 1011 xxxx		without extra charge	without extra charge	without extra charge	
OPTIONAL: KALDEWEI PERFECTION SURFACE FINISHES		PRICE	(I)	(II), (III)	(IV)	
EXTRA CHARGE FOR EASY-CLEAN FINISH	xxxxxxx3xxx		86.00	86.00		
FULL ANTI-SLIP Fired into the enamel – Slip resistant pattern over almost the entire surface			188.50	188.50		
PARTIAL ANTI-SLIP Fired into the enamel – Slip resistant pattern over part of the surface			99.00	99.00		
REQUIRED: ACCESSORY ●¹		PRICE	(I)	(II), (III)	(IV)	
SPECIAL WASTE AND OVERFLOW FITTING with enamelled waste cover and enamelled overflow knob	KA 4040 68777208xxxx		245.00	318.00	318.00	
SPECIAL WASTE AND OVERFLOW FITTING with integrated filling function, enamelled waste cover and overflow knob. Requires a non-return valve and connection hose, which are not included.	 KA 4041 68777210xxxx		530.00	688.00	688.00	
OPTIONAL: KALDEWEI PROFESSIONAL INSTALLATION ●¹		PRICE	(I)	(II), (III)	(IV)	
SPECIAL PEDESTAL MOD.5037	58317000000	63.50				
OPTIONAL: KALDEWEI PROFESSIONAL DESIGNER GRIPS ●¹		PRICE	(I)	(II), (III)	(IV)	
GRIP DISCREET OPULENCE Type C (1 grip), chrome	59027000999	269.00				
OPTIONAL: KALDEWEI EXPERIENCE ●¹		PRICE	(I)	(II), (III)	(IV)	
SOUND WAVE SOUND WAVE can be used with all KALDEWEI bathtubs, except models with support and whirl systems!	6801 584576100000	651.00				
OPTIONAL: KALDEWEI PROFESSIONAL WATERPROOF ●¹		PRICE	(I)	(II), (III)	(IV)	
SEALING KIT FLEX	689720520000	48.50				
OPTIONAL: KALDEWEI SILENCE PLUS ●¹		PRICE	(I)	(II), (III)	(IV)	
BATH SOUND ABSORBING SET	687675730000	45.00				

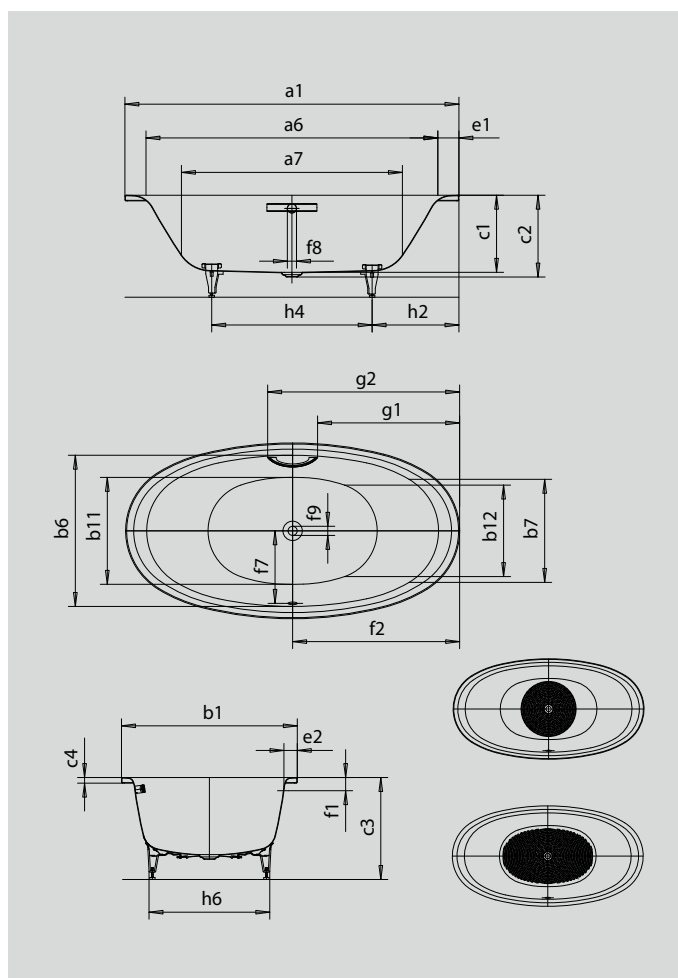
Wellness systems can be found from page 157.

ELLIPSO DUO OVAL

- gently shaped shoulder rest for more pleasure and comfort
- elliptical exterior form reflects the interior form
- enamelled waste cover and overflow knob integrated in the bath design (also available with filling function)
- bathing with a friend: two identical back rests and centrally positioned waste
- made of KALDEWEI steel enamel



Similar illustration




GRIP DISCREET OPULENCE



Model		232
External length	a ₁	1900 mm
Internal length (top)	a ₆	1660 mm
Internal length (bottom)	a ₇	1260 mm
External width	b ₁	1000 mm
Internal width (top)	b ₉ ; b ₇	860; 585 mm
Internal width (bottom)	b ₁₁ ; b ₁₂	610; 520 mm
Depth inside	c ₁	440 mm
Depth incl. waste hole	c ₂	465 mm
Height with feet	c ₃	565 - 595 mm
Height of rim	c ₄	32 mm
Width of rim (foot end; long side)	e ₁ ; e ₂	120; 65 mm
Distance top edge to centre of overflow hole	f ₁	75 mm
Distance bath edge to centre of waste hole	f ₂	950 mm
Distance centre of waste hole to centre of overflow hole	f ₇	421 mm
Diameter of overflow hole	f ₈	Ø 52 mm
Diameter of waste hole	f ₉	Ø 52 mm
Distance bath edge (foot end) to start of grip	g ₁	808 mm
Distance bath edge (foot end) to end of grip	g ₂	1092 mm
Distance foot end of bath edge to centre of foot	h ₂	585 mm
Distance between the feet	h ₄	730 mm
Width of feet max.	h ₆	620 mm
Water volume		214 l
Net weight		55 kg
Diameter of anti-slip		Ø 587 mm
Full anti-slip		900 x 546 mm

Subject to technical alterations, tolerances and errors. Similar illustration. 70 litres displacement on average.

KALDEWEI

	Model Order No.	Dimensions mm	Colour price groups		GBP
			Alpine White (I)	Sanitary Colours (II, III)	Coord. Colours (IV)
ELLIPSO DUO OVAL	232 28620001xxxx	1900 x 1000 x 440	2,978.00	3,873.00	3,873.00
Model with grip holes on one side available	xxxx 1011 xxxx		without extra charge	without extra charge	without extra charge
OPTIONAL: KALDEWEI PERFECTION SURFACE FINISHES		PRICE	(I)	(II), (III)	(IV)
EXTRA CHARGE FOR EASY-CLEAN FINISH	xxxxxxx3xxx		86.00	86.00	
FULL ANTI-SLIP Fired into the enamel – Slip resistant pattern over almost the entire surface			188.50	188.50	
PARTIAL ANTI-SLIP Fired into the enamel – Slip resistant pattern over part of the surface			99.00	99.00	
REQUIRED: ACCESSORY ●¹		PRICE	(I)	(II), (III)	(IV)
SPECIAL WASTE AND OVERFLOW FITTING with enamelled waste cover and enamelled overflow knob	KA 4040 68777208xxxx		245.00	318.00	318.00
SPECIAL WASTE AND OVERFLOW FITTING with integrated filling function, enamelled waste cover and overflow knob. Requires a non-return valve and connection hose, which are not included.	 KA 4041 68777210xxxx		530.00	688.00	688.00
OPTIONAL: KALDEWEI PROFESSIONAL INSTALLATION ●¹		PRICE	(I)	(II), (III)	(IV)
SPECIAL PEDESTAL MOD.5037	583170000000	63.50			
OPTIONAL: KALDEWEI PROFESSIONAL DESIGNER GRIPS ●¹		PRICE	(I)	(II), (III)	(IV)
GRIP DISCREET OPULENCE Type C (1 grip), chrome	590270000999	269.00			
OPTIONAL: KALDEWEI EXPERIENCE ●¹		PRICE	(I)	(II), (III)	(IV)
SOUND WAVE SOUND WAVE can be used with all KALDEWEI bathtubs, except models with support and whirl systems!	6801 584576100000	651.00			
OPTIONAL: KALDEWEI SILENCE PLUS ●¹		PRICE	(I)	(II), (III)	(IV)
BATH SOUND ABSORBING SET	687675730000	45.00			

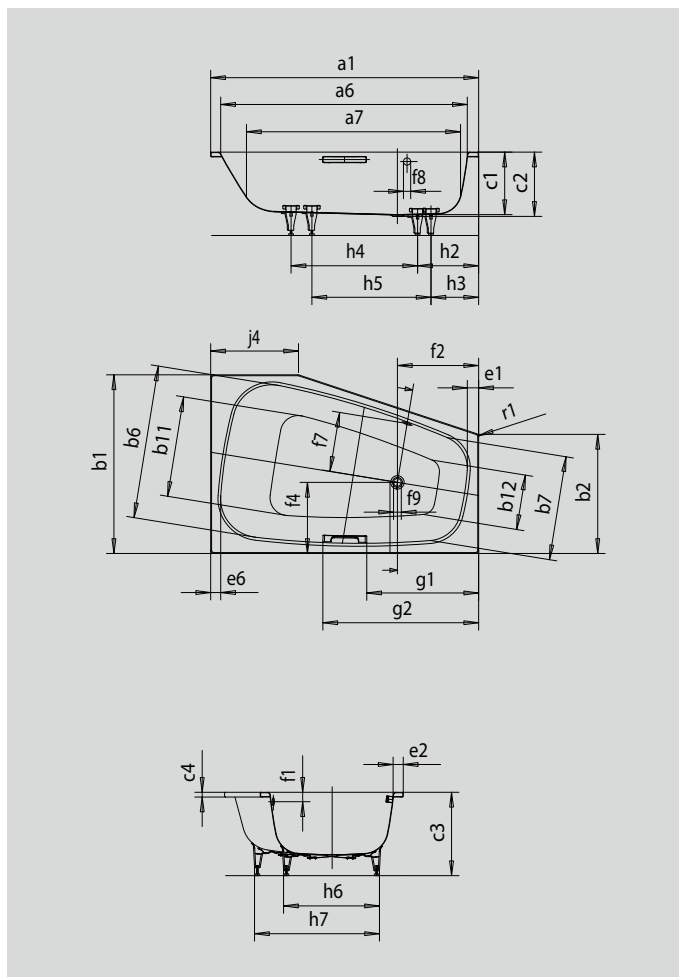
Wellness systems can be found from page 157.

PLAZA DUO LEFT

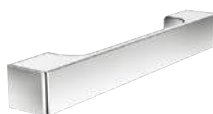
- the spacious interior enables you to adopt a wide range of positions When bathing
- available as right or left-hand model
- bathing with a friend: sit next to each other
- made of KALDEWEI steel enamel



Similar illustration




GRIP ELEGANT PURISM



Model		192
External length	a ₁	1800 mm
Internal length (top)	a ₆	1625 mm
Internal length (bottom)	a ₇	1410 mm
External width	b ₁	1200 mm
External width	b ₂	800 mm
Internal width (top)	b ₆ ; b ₇	1035; 700 mm
Internal width (bottom)	b ₁₁ ; b ₁₂	738; 370 mm
Depth inside	c ₁	420 mm
Depth incl. waste hole	c ₂	430 mm
Height with feet	c ₃	552 - 560 mm
Height of rim	c ₄	32 mm
Width of rim (foot end; long side; head end)	e ₁ ; e ₂ ; e ₆	74; 66; 61 mm
Distance top edge to centre of overflow hole	f ₁	70 mm
Distance bath edge to centre of waste hole	f ₂	545 mm
Distance bath edge (lengthwise) to centre of waste hole	f ₄	478 mm
Distance centre of waste hole to centre of overflow hole	f ₇	409 mm
Diameter of overflow hole	f ₈	Ø 52 mm
Diameter of waste hole	f ₉	Ø 52 mm
Distance bath edge (foot end) to start of grip	g ₁	751 mm
Distance bath edge (foot end) to end of grip	g ₂	1047 mm
Distance foot end of bath edge to centre of foot	h ₂ ; h ₃	320; 410 mm
Distance between the feet	h ₄ ; h ₅	800; 850 mm
Width of feet max.	h ₆ ; h ₇	600 - 880 mm
Length of straight side	j ₄	590 mm
External radius	r ₁	23 mm
Water volume		273 l
Net weight		66 kg

Subject to technical alterations, tolerances and errors. Similar illustration. 70 litres displacement on average.

KALDEWEI

	Model Order No.	Dimensions mm	Colour price groups			GBP
			Alpine White (I)	Sanitary Colours (II, III)	Coord. Colours (IV)	
PLAZA DUO LEFT	192 23720001xxxx	1800 x 1200 x 420	3,264.00	4,243.00	4,243.00	
Model with grip holes on one side available	xxxx 1011 xxxx		without extra charge	without extra charge	without extra charge	
OPTIONAL: KALDEWEI PERFECTION SURFACE FINISHES		PRICE	(I)	(II), (III)	(IV)	
EXTRA CHARGE FOR EASY-CLEAN FINISH	xxxxxxx3xxx		86.00	86.00		
OPTIONAL: KALDEWEI PROFESSIONAL INFLOW/OUTFLOW TECHNOLOGY ●¹		PRICE	(I)	(II), (III)	(IV)	
COMFORT LEVEL EXTENDED, CHROME enamelled waste cover and chrome overflow knob	KA 4002 68772340999	215.50				
COMFORT LEVEL PLUS EXTENDED, CHROME with integrated filling function. Requires a non-return valve and connection hose. These are not included.	 KA 4012 68772380999	509.00				
OPTIONAL: KALDEWEI PROFESSIONAL INSTALLATION ●¹		PRICE	(I)	(II), (III)	(IV)	
SPECIAL PEDESTAL MOD.5037	583170000000	63.50				
OPTIONAL: KALDEWEI PROFESSIONAL DESIGNER GRIPS ●¹		PRICE	(I)	(II), (III)	(IV)	
GRIP ELEGANT PURISM Type B (1 grip), chrome	590570000999	269.00				
OPTIONAL: KALDEWEI EXPERIENCE ●¹		PRICE	(I)	(II), (III)	(IV)	
SOUND WAVE SOUND WAVE can be used with all KALDEWEI bathtubs, except models with support and whirl systems!	6801 584576100000	651.00				
OPTIONAL: KALDEWEI PROFESSIONAL WATERPROOF ●¹		PRICE	(I)	(II), (III)	(IV)	
SEALING KIT FLEX	689720520000	48.50				
OPTIONAL: KALDEWEI SILENCE PLUS ●¹		PRICE	(I)	(II), (III)	(IV)	
BATH SOUND ABSORBING SET	687675730000	45.00				

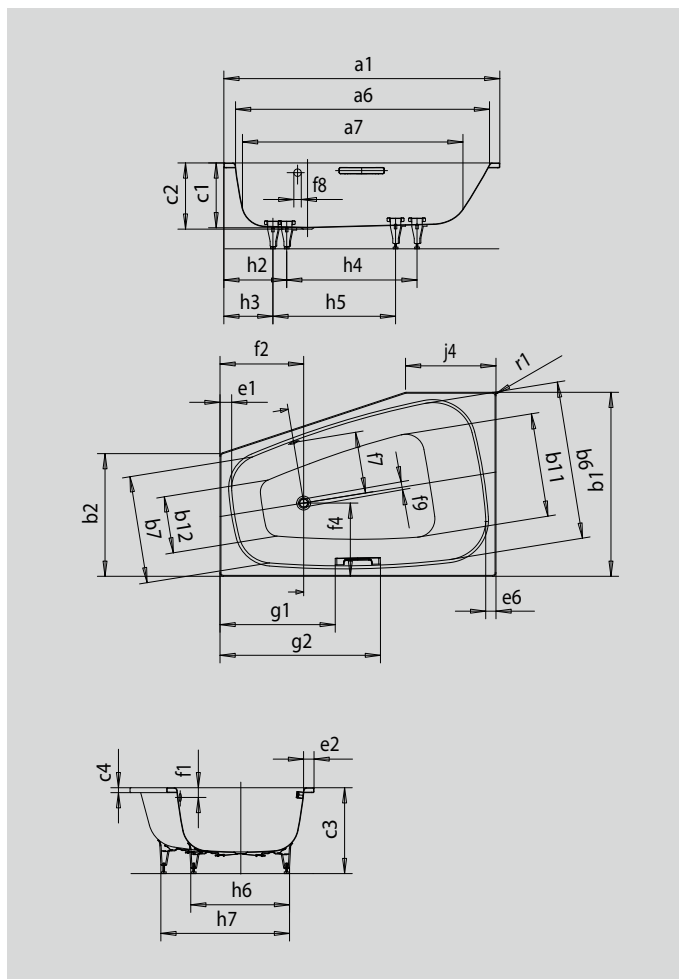
Wellness systems can be found from page 157.

PLAZA DUO RIGHT

- the spacious interior enables you to adopt a wide range of positions When bathing
- available as right or left-hand model
- bathing with a friend: sit next to each other
- made of KALDEWEI steel enamel



Similar illustration




GRIP ELEGANT PURISM



Model		190
External length	a ₁	1800 mm
Internal length (top)	a ₆	1625 mm
Internal length (bottom)	a ₇	1410 mm
External width	b ₁	1200 mm
External width	b ₂	800 mm
Internal width (top)	b ₆ ; b ₇	1035; 700 mm
Internal width (bottom)	b ₁₁ ; b ₁₂	738; 370 mm
Depth inside	c ₁	420 mm
Depth incl. waste hole	c ₂	430 mm
Height with feet	c ₃	552 - 560 mm
Height of rim	c ₄	32 mm
Width of rim (foot end; long side; head end)	e ₁ ; e ₂ ; e ₆	74; 66; 61 mm
Distance top edge to centre of overflow hole	f ₁	70 mm
Distance bath edge to centre of waste hole	f ₂	545 mm
Distance bath edge (lengthwise) to centre of waste hole	f ₄	478 mm
Distance centre of waste hole to centre of overflow hole	f ₇	409 mm
Diameter of overflow hole	f ₈	Ø 52 mm
Diameter of waste hole	f ₉	Ø 52 mm
Distance bath edge (foot end) to start of grip	g ₁	751 mm
Distance bath edge (foot end) to end of grip	g ₂	1047 mm
Distance foot end of bath edge to centre of foot	h ₂ ; h ₃	320; 410 mm
Distance between the feet	h ₄ ; h ₅	800; 850 mm
Width of feet max.	h ₆ ; h ₇	600 - 880 mm
Length of straight side	j ₄	590 mm
External radius	r ₁	23 mm
Water volume		273 l
Net weight		66 kg

Subject to technical alterations, tolerances and errors. Similar illustration. 70 litres displacement on average.

KALDEWEI

	Model Order No.	Dimensions mm	Colour price groups			GBP
			Alpine White (I)	Sanitary Colours (II, III)	Coord. Colours (IV)	
PLAZA DUO RIGHT	190 23700001xxxx	1800 x 1200 x 420	3,264.00	4,243.00		4,243.00
Model with grip holes on one side available	xxxx 1011 xxxx		without extra charge	without extra charge		without extra charge
OPTIONAL: KALDEWEI PERFECTION SURFACE FINISHES		PRICE	(I)	(II), (III)		(IV)
EXTRA CHARGE FOR EASY-CLEAN FINISH	xxxxxxx3xxx		86.00	86.00		
OPTIONAL: KALDEWEI PROFESSIONAL INFLOW/OUTFLOW TECHNOLOGY ●¹		PRICE	(I)	(II), (III)		(IV)
COMFORT LEVEL EXTENDED, CHROME enamelled waste cover and chrome overflow knob	KA 4002 68772340999	215.50				
COMFORT LEVEL PLUS EXTENDED, CHROME with integrated filling function. Requires a non-return valve and connection hose. These are not included.	 KA 4012 68772380999	509.00				
OPTIONAL: KALDEWEI PROFESSIONAL INSTALLATION ●¹		PRICE	(I)	(II), (III)		(IV)
SPECIAL PEDESTAL MOD.5037	58317000000	63.50				
OPTIONAL: KALDEWEI PROFESSIONAL DESIGNER GRIPS ●¹		PRICE	(I)	(II), (III)		(IV)
GRIP ELEGANT PURISM Type B (1 grip), chrome	590570000999	269.00				
OPTIONAL: KALDEWEI EXPERIENCE ●¹		PRICE	(I)	(II), (III)		(IV)
SOUND WAVE SOUND WAVE can be used with all KALDEWEI bathtubs, except models with support and whirl systems!	6801 58457610000	651.00				
OPTIONAL: KALDEWEI PROFESSIONAL WATERPROOF ●¹		PRICE	(I)	(II), (III)		(IV)
SEALING KIT FLEX	689720520000	48.50				
OPTIONAL: KALDEWEI SILENCE PLUS ●¹		PRICE	(I)	(II), (III)		(IV)
BATH SOUND ABSORBING SET	687675730000	45.00				

Wellness systems can be found from page 157.

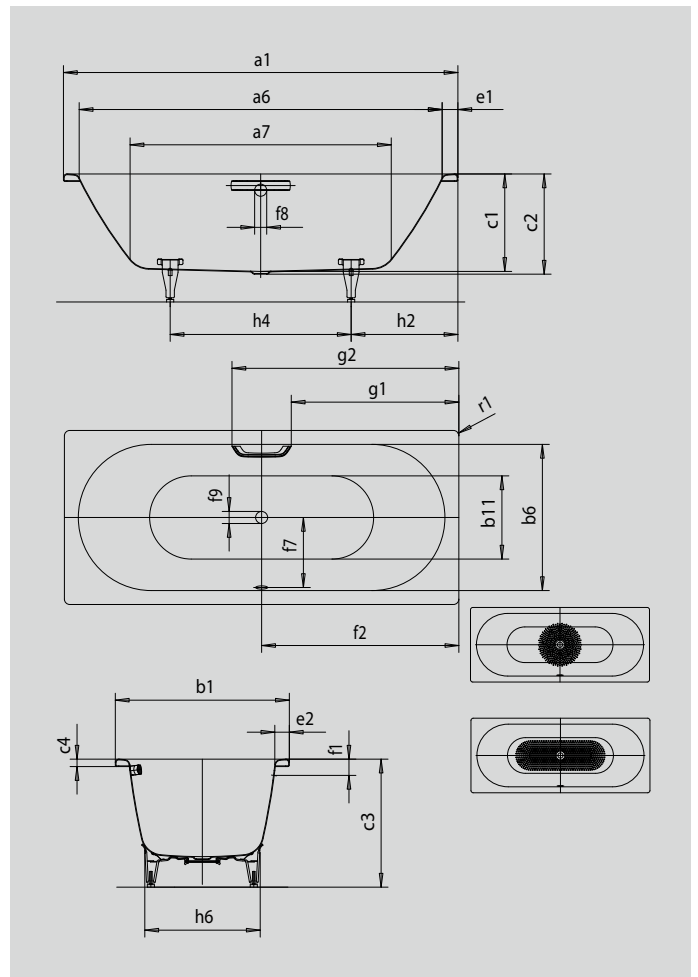


CLASSIC DUO

- minimalist simplicity and unpretentious elegance are the hallmarks of this bathtub
- classic four-corner version
- Bathing for two: two identical backrests and centrally positioned waste outlet
- made of KALDEWEI steel enamel



Similar illustration



GRIP DISCREET OPULENCE




Model		103	105	107
External length	a ₁	1600	1700	1700 mm
Internal length (top)	a ₆	1480	1580	1580 mm
Internal length (bottom)	a ₇	1030	1130	1130 mm
External width	b ₁	700	700	750 mm
Internal width (top)	b ₆	580	580	630 mm
Internal width (bottom)	b ₁₁	450	450	500 mm
Depth inside	c ₁	420	420	420 mm
Depth incl. waste hole	c ₂	430	430	430 mm
Height with feet	c ₃	570 - 605	565 - 600	560 - 595 mm
Height of rim	c ₄	32	32	32 mm
Width of rim (foot end; long side)	e ₁ ; e ₂	60; 60	60; 60	60; 60 mm
Distance top edge to centre of overflow hole	f ₁	70	70	70 mm
Distance bath edge to centre of waste hole	f ₂	800	850	850 mm
Distance centre of waste hole to centre of overflow hole	f ₇	280	280	305 mm
Diameter of overflow hole	f ₈	Ø 52	Ø 52	Ø 52 mm
Diameter of waste hole	f ₉	Ø 52	Ø 52	Ø 52 mm
Distance bath edge (foot end) to start of grip	g ₁	672	722	722 mm
Distance bath edge (foot end) to end of grip	g ₂	928	978	978 mm
Distance foot end of bath edge to centre of foot	h ₂	560	560	560 mm
Distance between the feet	h ₄	480	580	580 mm
Width of feet max.	h ₆	430	420	470 mm
External radius	r ₁	23	23	23 mm
Water volume		95	110	122 l
Net weight		44	47	47 kg
Diameter of anti-slip		Ø 288	Ø 288	Ø 435 mm
Full anti-slip		850 x 240	900 x 300	900 x 300 mm

Subject to technical alterations, tolerances and errors. Similar illustration. 70 litres displacement on average.

KALDEWEI



	Model Order No.	Dimensions mm	Colour price groups			GBP
			Alpine White (I)	Sanitary Colours (II, III)	Coord. Colours (IV)	
CLASSIC DUO	103 29030001xxxx	1600 x 700 x 420	788.00	1,025.00	1,025.00	
	105 29050001xxxx	1700 x 700 x 420	788.00	1,025.00	1,025.00	
	107 29070001xxxx	1700 x 750 x 420	788.00	1,025.00	1,025.00	
Model with grip holes on one side available	xxxx 1011 xxxx		without extra charge	without extra charge	without extra charge	
OPTIONAL: KALDEWEI PERFECTION SURFACE FINISHES		PRICE	(I)	(II), (III)	(IV)	
EXTRA CHARGE FOR EASY-CLEAN FINISH	xxxxxxx3xxx		86.00	86.00		
FULL ANTI-SLIP Fired into the enamel – Slip resistant pattern over almost the entire surface			188.50	188.50		
PARTIAL ANTI-SLIP Fired into the enamel – Slip resistant pattern over part of the surface			99.00	99.00		
OPTIONAL: KALDEWEI PROFESSIONAL INFLOW/OUTFLOW TECHNOLOGY ●¹		PRICE	(I)	(II), (III)	(IV)	
COMFORT LEVEL EXTENDED, CHROME enamelled waste cover and chrome overflow knob	KA 4002 687772340999	215.50				
COMFORT LEVEL PLUS EXTENDED, CHROME with integrated filling function. Requires a non-return valve and connection hose. These are not included.	 KA 4012 687772380999	509.00				
OPTIONAL: KALDEWEI PROFESSIONAL INSTALLATION ●¹		PRICE	(I)	(II), (III)	(IV)	
PEDESTAL ALLROUND 5030	581470000000	45.00				
OPTIONAL: KALDEWEI PROFESSIONAL DESIGNER GRIPS ●¹		PRICE	(I)	(II), (III)	(IV)	
GRIP DISCREET OPULENCE Type A (1 grip), chrome	590670000999	214.50				
OPTIONAL: KALDEWEI EXPERIENCE ●¹		PRICE	(I)	(II), (III)	(IV)	
SOUND WAVE SOUND WAVE can be used with all KALDEWEI bathtubs, except models with support and whirl systems!	6801 584576100000	651.00				
OPTIONAL: KALDEWEI PROFESSIONAL WATERPROOF ●¹		PRICE	(I)	(II), (III)	(IV)	
SEALING KIT FLEX	689720520000	48.50				
OPTIONAL: KALDEWEI SILENCE PLUS ●¹		PRICE	(I)	(II), (III)	(IV)	
BATH SOUND ABSORBING SET	687675730000	45.00				

Wellness systems can be found from page 157.

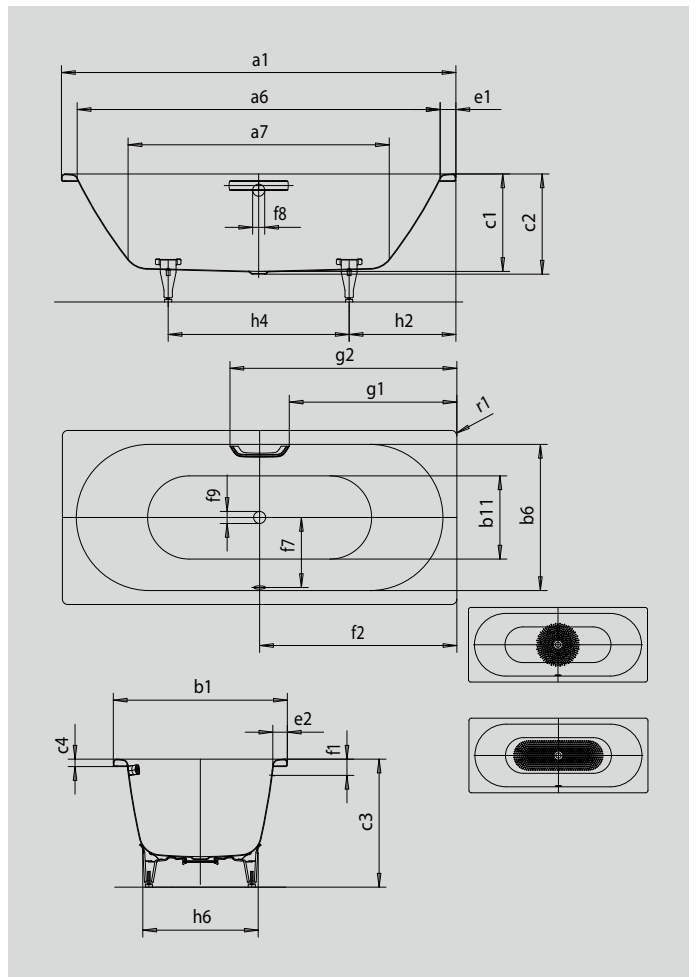


CLASSIC DUO

- minimalist simplicity and unpretentious elegance are the hallmarks of this bathtub
- classic four-corer version
- Bathing for two: two identical backrests and centrally positioned waste outlet
- made of KALDEWEI steel enamel



Similar illustration



GRIP DISCREET OPULENCE




Model		109	110	114
External length	a ₁	1800	1800	1900 mm
Internal length (top)	a ₆	1680	1680	1780 mm
Internal length (bottom)	a ₇	1230	1230	1330 mm
External width	b ₁	750	800	900 mm
Internal width (top)	b ₆	630	680	780 mm
Internal width (bottom)	b ₁₁	500	550	650 mm
Depth inside	c ₁	420	420	420 mm
Depth incl. waste hole	c ₂	430	430	430 mm
Height with feet	c ₃	560 - 595	555 - 590	550 - 580 mm
Height of rim	c ₄	32	32	32 mm
Width of rim (foot end; long side)	e ₁ ; e ₂	60; 60	60; 60	60; 60 mm
Distance top edge to centre of overflow hole	f ₁	70	70	70 mm
Distance bath edge to centre of waste hole	f ₂	900	900	950 mm
Distance centre of waste hole to centre of overflow hole	f ₇	305	330	380 mm
Diameter of overflow hole	f ₈	Ø 52	Ø 52	Ø 52 mm
Diameter of waste hole	f ₉	Ø 52	Ø 52	Ø 52 mm
Distance bath edge (foot end) to start of grip	g ₁	772	772	822 mm
Distance bath edge (foot end) to end of grip	g ₂	1028	1028	1078 mm
Distance foot end of bath edge to centre of foot	h ₂	600	600	630 mm
Distance between the feet	h ₄	600	600	640 mm
Width of feet max.	h ₅	470	540	650 mm
External radius	r ₁	23	23	23 mm
Water volume		143	158	213 l
Net weight		50	53	61 kg
Pedestal		5030	5032	5037
Diameter of anti-slip		Ø 435	Ø 435	Ø 435 mm
Full anti-slip		900 x 300	900 x 300	1097 x 406 mm

Subject to technical alterations, tolerances and errors. Similar illustration. 70 litres displacement on average.

KALDEWEI



	Model Order No.	Dimensions mm	Colour price groups			GBP
			Alpine White (I)	Sanitary Colours (II, III)	Coord. Colours (IV)	
CLASSIC DUO for Model 109 base frame Allround Mod. 5030 for Model 110 special base frame 5032 for Model 114 special base frame 5037	109 2909 0001 xxxx	1800 x 750 x 420	928.00	1,206.00	1,206.00	
	110 2910 0001 xxxx	1800 x 800 x 420	928.00	1,206.00	1,206.00	
	114 2915 0001 xxxx	1900 x 900 x 420	1,282.00	1,668.00	1,668.00	
Model with grip holes on one side available	xxxx 1011 xxxx		without extra charge	without extra charge	without extra charge	
OPTIONAL: KALDEWEI PERFECTION SURFACE FINISHES		PRICE	(I)	(II), (III)	(IV)	
EXTRA CHARGE FOR EASY-CLEAN FINISH	xxxxxxx3xxx		86.00	86.00		
FULL ANTI-SLIP Fired into the enamel – Slip resistant pattern over almost the entire surface			188.50	188.50		
PARTIAL ANTI-SLIP Fired into the enamel – Slip resistant pattern over part of the surface			99.00	99.00		
OPTIONAL: KALDEWEI PROFESSIONAL INFLOW/OUTFLOW TECHNOLOGY ●¹		PRICE	(I)	(II), (III)	(IV)	
COMFORT LEVEL EXTENDED, CHROME enamelled waste cover and chrome overflow knob	KA 4002 6877 7234 0999	215.50				
COMFORT LEVEL PLUS EXTENDED, CHROME with integrated filling function. Requires a non-return valve and connection hose. These are not included.	 KA 4012 6877 7238 0999	509.00				
OPTIONAL: KALDEWEI PROFESSIONAL INSTALLATION ●¹		PRICE	(I)	(II), (III)	(IV)	
PEDESTAL ALLROUND 5030	5814 7000 0000	45.00				
SPECIAL PEDESTAL MOD.5032	5816 7000 0000	63.50				
SPECIAL PEDESTAL MOD.5037	5831 7000 0000	63.50				
OPTIONAL: KALDEWEI PROFESSIONAL DESIGNER GRIPS ●¹		PRICE	(I)	(II), (III)	(IV)	
GRIP DISCREET OPULENCE Type A (1 grip), chrome	5906 7000 0999	214.50				
OPTIONAL: KALDEWEI EXPERIENCE ●¹		PRICE	(I)	(II), (III)	(IV)	
SOUND WAVE SOUND WAVE can be used with all KALDEWEI bathtubs, except models with support and whirl systems!	6801 5845 7610 0000	651.00				
OPTIONAL: KALDEWEI PROFESSIONAL WATERPROOF ●¹		PRICE	(I)	(II), (III)	(IV)	
SEALING KIT FLEX	6897 2052 0000	48.50				
OPTIONAL: KALDEWEI SILENCE PLUS ●¹		PRICE	(I)	(II), (III)	(IV)	
BATH SOUND ABSORBING SET	6876 7573 0000	45.00				

Wellness systems can be found from page 157.

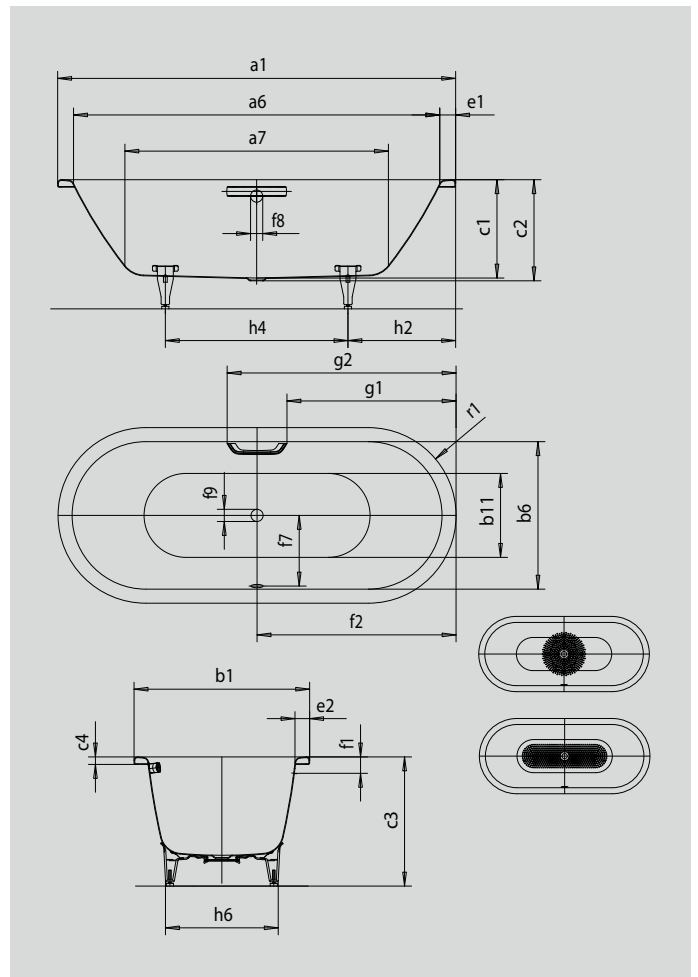


CLASSIC DUO OVAL

- pure simplicity and unpretentious elegance are what distinguish these baths
- bathing with a friend: two identical back rests and centrally positioned waste
- made of KALDEWEI steel enamel



Similar illustration



GRIP DISCREET OPULENCE




Model		112	116	113
External length	a ₁	1600	1700	1700 mm
Internal length (top)	a ₆	1480	1580	1580 mm
Internal length (bottom)	a ₇	1030	1130	1130 mm
External width	b ₁	700	700	750 mm
Internal width (top)	b ₆	580	580	630 mm
Internal width (bottom)	b ₁₁	450	450	500 mm
Depth inside	c ₁	420	420	420 mm
Depth incl. waste hole	c ₂	430	430	430 mm
Height with feet	c ₃	560 - 590	565 - 600	555 - 590 mm
Height of rim	c ₄	32	32	32 mm
Width of rim (foot end; long side)	e ₁ ; e ₂	60; 60	60; 60	60; 60 mm
Distance top edge to centre of overflow hole	f ₁	70	70	70 mm
Distance bath edge to centre of waste hole	f ₂	800	850	850 mm
Distance centre of waste hole to centre of overflow hole	f ₇	280	280	305 mm
Diameter of overflow hole	f ₈	Ø 52	Ø 52	Ø 52 mm
Diameter of waste hole	f ₉	Ø 52	Ø 52	Ø 52 mm
Distance bath edge (foot end) to start of grip	g ₁	672	722	722 mm
Distance bath edge (foot end) to end of grip	g ₂	928	978	978 mm
Distance foot end of bath edge to centre of foot	h ₂	560	560	560 mm
Distance between the feet	h ₄	480	580	580 mm
Width of feet max.	h ₆	410	420	450 mm
External radius	r ₁	350	350	375 mm
Water volume		95	110	124 l
Net weight		40	44	44 kg
Diameter of anti-slip		Ø 288	Ø 288	Ø 435 mm
Full anti-slip		850 x 240	900 x 300	900 x 300 mm

Subject to technical alterations, tolerances and errors. Similar illustration. 70 litres displacement on average.

KALDEWEI



	Model Order No.	Dimensions mm	Colour price groups			GBP
			Alpine White (I)	Sanitary Colours (II, III)	Coord. Colours (IV)	
CLASSIC DUO OVAL	112 29130001xxxx	1600 x 700 x 420	1,168.00	1,519.00	1,519.00	
	116 29260001xxxx	1700 x 700 x 420	1,168.00	1,519.00	1,519.00	
	113 29140001xxxx	1700 x 750 x 420	1,168.00	1,519.00	1,519.00	
Model with grip holes on one side available	xxxx 1011 xxxx		without extra charge	without extra charge	without extra charge	
OPTIONAL: KALDEWEI PERFECTION SURFACE FINISHES		PRICE	(I)	(II), (III)	(IV)	
EXTRA CHARGE FOR EASY-CLEAN FINISH	xxxxxxx3xxx		86.00	86.00		
FULL ANTI-SLIP Fired into the enamel – Slip resistant pattern over almost the entire surface			188.50	188.50		
PARTIAL ANTI-SLIP Fired into the enamel – Slip resistant pattern over part of the surface			99.00	99.00		
OPTIONAL: KALDEWEI PROFESSIONAL INFLOW/OUTFLOW TECHNOLOGY ●¹		PRICE	(I)	(II), (III)	(IV)	
COMFORT LEVEL EXTENDED, CHROME enamelled waste cover and chrome overflow knob	KA 4002 687772340999	215.50				
COMFORT LEVEL PLUS EXTENDED, CHROME with integrated filling function. Requires a non-return valve and connection hose. These are not included.	 KA 4012 687772380999	509.00				
OPTIONAL: KALDEWEI PROFESSIONAL INSTALLATION ●¹		PRICE	(I)	(II), (III)	(IV)	
PEDESTAL ALLROUND 5030	581470000000	45.00				
OPTIONAL: KALDEWEI PROFESSIONAL DESIGNER GRIPS ●¹		PRICE	(I)	(II), (III)	(IV)	
GRIP DISCREET OPULENCE Type A (1 grip), chrome	59067000999	214.50				
OPTIONAL: KALDEWEI EXPERIENCE ●¹		PRICE	(I)	(II), (III)	(IV)	
SOUND WAVE SOUND WAVE can be used with all KALDEWEI bathtubs, except models with support and whirl systems!	6801 584576100000	651.00				
OPTIONAL: KALDEWEI SILENCE PLUS ●¹		PRICE	(I)	(II), (III)	(IV)	
BATH SOUND ABSORBING SET	687675730000	45.00				

Wellness systems can be found from page 157.

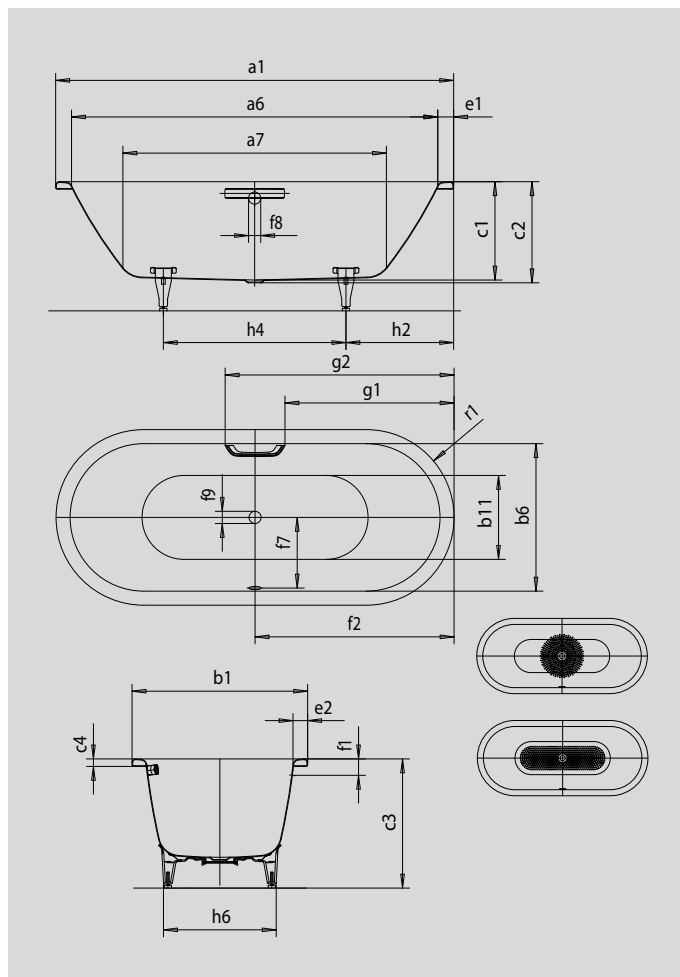


CLASSIC DUO OVAL

- pure simplicity and unpretentious elegance are what distinguish these baths
- bathing with a friend: two identical back rests and centrally positioned waste
- made of KALDEWEI steel enamel



Similar illustration



GRIP DISCREET OPULENCE




Model		111
External length	a ₁	1800 mm
Internal length (top)	a ₆	1680 mm
Internal length (bottom)	a ₇	1230 mm
External width	b ₁	800 mm
Internal width (top)	b ₆	680 mm
Internal width (bottom)	b ₁₁	550 mm
Depth inside	c ₁	420 mm
Depth incl. waste hole	c ₂	430 mm
Height with feet	c ₃	555 - 590 mm
Height of rim	c ₄	32 mm
Width of rim (foot end; long side)	e ₁ ; e ₂	60; 60 mm
Distance top edge to centre of overflow hole	f ₁	70 mm
Distance bath edge to centre of waste hole	f ₂	900 mm
Distance centre of waste hole to centre of overflow hole	f ₇	330 mm
Diameter of overflow hole	f ₈	Ø 52 mm
Diameter of waste hole	f ₉	Ø 52 mm
Distance bath edge (foot end) to start of grip	g ₁	772 mm
Distance bath edge (foot end) to end of grip	g ₂	1028 mm
Distance foot end of bath edge to centre of foot	h ₂	600 mm
Distance between the feet	h ₄	600 mm
Width of feet max.	h ₆	540 mm
External radius	r ₁	400 mm
Water volume		158 l
Net weight		50 kg
Diameter of anti-slip		Ø 435 mm
Full anti-slip		900 x 300 mm

Subject to technical alterations, tolerances and errors. Similar illustration.
70 litres displacement on average.

KALDEWEI



	Model Order No.	Dimensions mm	Colour price groups			GBP
			Alpine White (I)	Sanitary Colours (II, III)	Coord. Colours (IV)	
CLASSIC DUO OVAL	111 29120001xxxx	1800 x 800 x 420	1,370.00	1,781.00	1,781.00	
Model with grip holes on one side available	xxxx 1011 xxxx		without extra charge	without extra charge	without extra charge	
OPTIONAL: KALDEWEI PERFECTION SURFACE FINISHES		PRICE	(I)	(II), (III)	(IV)	
EXTRA CHARGE FOR EASY-CLEAN FINISH	xxxxxxx3xxx		86.00	86.00		
FULL ANTI-SLIP Fired into the enamel – Slip resistant pattern over almost the entire surface			188.50	188.50		
PARTIAL ANTI-SLIP Fired into the enamel – Slip resistant pattern over part of the surface			99.00	99.00		
OPTIONAL: KALDEWEI PROFESSIONAL INFLOW/OUTFLOW TECHNOLOGY ●¹		PRICE	(I)	(II), (III)	(IV)	
COMFORT LEVEL EXTENDED, CHROME enamelled waste cover and chrome overflow knob	KA 4002 687772340999	215.50				
COMFORT LEVEL PLUS EXTENDED, CHROME with integrated filling function. Requires a non-return valve and connection hose. These are not included.	 KA 4012 687772380999	509.00				
OPTIONAL: KALDEWEI PROFESSIONAL INSTALLATION ●¹		PRICE	(I)	(II), (III)	(IV)	
SPECIAL PEDESTAL MOD.5032	581670000000	63.50				
OPTIONAL: KALDEWEI PROFESSIONAL DESIGNER GRIPS ●¹		PRICE	(I)	(II), (III)	(IV)	
GRIP DISCREET OPULENCE Type A (1 grip), chrome	590670000999	214.50				
OPTIONAL: KALDEWEI EXPERIENCE ●¹		PRICE	(I)	(II), (III)	(IV)	
SOUND WAVE SOUND WAVE can be used with all KALDEWEI bathtubs, except models with support and whirl systems!	6801 584576100000	651.00				
OPTIONAL: KALDEWEI SILENCE PLUS ●¹		PRICE	(I)	(II), (III)	(IV)	
BATH SOUND ABSORBING SET	687675730000	45.00				

Wellness systems can be found from page 157.

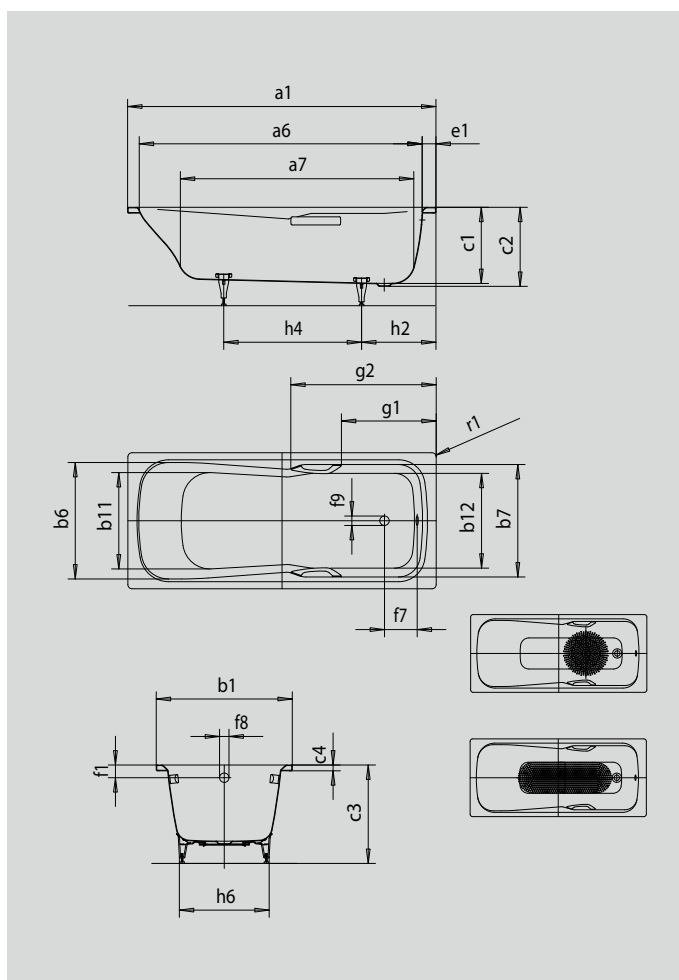


DYNA SET DYNA SET STAR

- one-seater bath with waste at foot end
- combi-bath suitable for bathing and showering
- also available with grips
- made of KALDEWEI steel enamel



Similar illustration




Model		624	625	626	627
External length	a ₁	1500	1500	1600	1600 mm
Internal length (top)	a ₆	1340	1340	1440	1440 mm
Internal length (bottom)	a ₇	1050	1050	1155	1155 mm
External width	b ₁	750	750	700	700 mm
Internal width (top)	b ₆ ; b ₇	640; 640	640; 640	590; 590	590; 590 mm
Internal width (bottom)	b ₁₁ ; b ₁₂	500; 520	500; 520	450; 470	450; 470 mm
Depth inside	c ₁	420	420	420	420 mm
Depth incl. waste hole	c ₂	430	430	430	430 mm
Height with feet	c ₃	561 - 586	561 - 586	561 - 586	561 - 586 mm
Height of rim	c ₄	32	32	32	32 mm
Width of rim (foot end)	e ₁	100	100	100	100 mm
Distance top edge to centre of overflow hole	f ₁	70	70	70	70 mm
Distance bath edge to centre of waste hole	f ₂	310	310	310	310 mm
Distance centre of waste hole to centre of overflow hole	f ₇	206	206	206	206 mm
Diameter of overflow hole	f ₈	Ø 52	Ø 52	Ø 52	Ø 52 mm
Diameter of waste hole	f ₉	Ø 52	Ø 52	Ø 52	Ø 52 mm
Distance bath edge (foot end) to start of grip	g ₁		505		505 mm
Distance bath edge (foot end) to end of grip	g ₂		780		780 mm
Distance foot end of bath edge to centre of foot	h ₂	410	410	410	410 mm
Distance between the feet	h ₄	590	590	690	690 mm
Width of feet max.	h ₆	495	495	445	445 mm
External radius	r ₁	23	23	23	23 mm
Water volume		133	133	122	122 l
Net weight		45	45	46	46 kg
Diameter of anti-slip		Ø 288	Ø 288	Ø 288	Ø 288 mm
Full anti-slip		600 x 220	600 x 220	850 x 240	850 x 240 mm

Subject to technical alterations, tolerances and errors. Similar illustration.
70 litres displacement on average.

KALDEWEI



	Model Order No.	Dimensions mm	Colour price groups			GBP
			Alpine White (I)	Sanitary Colours (II, III)	Coord. Colours (IV)	
DYNA SET	624 2266 0001 xxxx	1500 x 750 x 420	1,006.00	1,308.00	1,308.00	
	626 2268 0001 xxxx	1600 x 700 x 420	1,006.00	1,308.00	1,308.00	
DYNA SET STAR for mounting grips, grips subject to surcharge	625 2267 0001 xxxx	1500 x 750 x 420	1,006.00	1,308.00	1,308.00	
	627 2269 0001 xxxx	1600 x 700 x 420	1,006.00	1,308.00	1,308.00	
OPTIONAL: KALDEWEI PERFECTION SURFACE FINISHES		PRICE	(I)	(II), (III)	(IV)	
EXTRA CHARGE FOR EASY-CLEAN FINISH	xxxxxxx3xxx		86.00	86.00		
FULL ANTI-SLIP Fired into the enamel – Slip resistant pattern over almost the entire surface			188.50	188.50		
PARTIAL ANTI-SLIP Fired into the enamel – Slip resistant pattern over part of the surface			99.00	99.00		
OPTIONAL: KALDEWEI PROFESSIONAL INFLOW/OUTFLOW TECHNOLOGY ●¹		PRICE	(I)	(II), (III)	(IV)	
COMFORT LEVEL STANDARD, CHROME	KA 4001 6877 7233 0999	183.00				
COMFORT LEVEL PLUS STANDARD, CHROME with integrated filling function. Requires a non-return valve and connection hose. These are not included.	 KA 4011 6877 7237 0999	450.00				
OPTIONAL: KALDEWEI PROFESSIONAL INSTALLATION ●¹		PRICE	(I)	(II), (III)	(IV)	
PEDESTAL ALLROUND 5030	5814 7000 0000	45.00				
OPTIONAL: KALDEWEI PROFESSIONAL DESIGNER KNOBS ●¹		PRICE	(I)	(II), (III)	(IV)	
DYNA SET STAR GRIPS	5911 7000 0999	131.50				
OPTIONAL: KALDEWEI EXPERIENCE ●¹		PRICE	(I)	(II), (III)	(IV)	
SOUND WAVE SOUND WAVE can be used with all KALDEWEI bathtubs, except models with support and whirl systems!	6801 5845 7610 0000	651.00				
OPTIONAL: KALDEWEI PROFESSIONAL WATERPROOF ●¹		PRICE	(I)	(II), (III)	(IV)	
SEALING KIT FLEX	6897 2052 0000	48.50				
OPTIONAL: KALDEWEI SILENCE PLUS ●¹		PRICE	(I)	(II), (III)	(IV)	
BATH SOUND ABSORBING SET	6876 7573 0000	45.00				

Further accessories can be found on page 140. Available colours see page 17.

●¹= separate accessory. For more information on the 12-digit KALDEWEI Order Number see page 20.

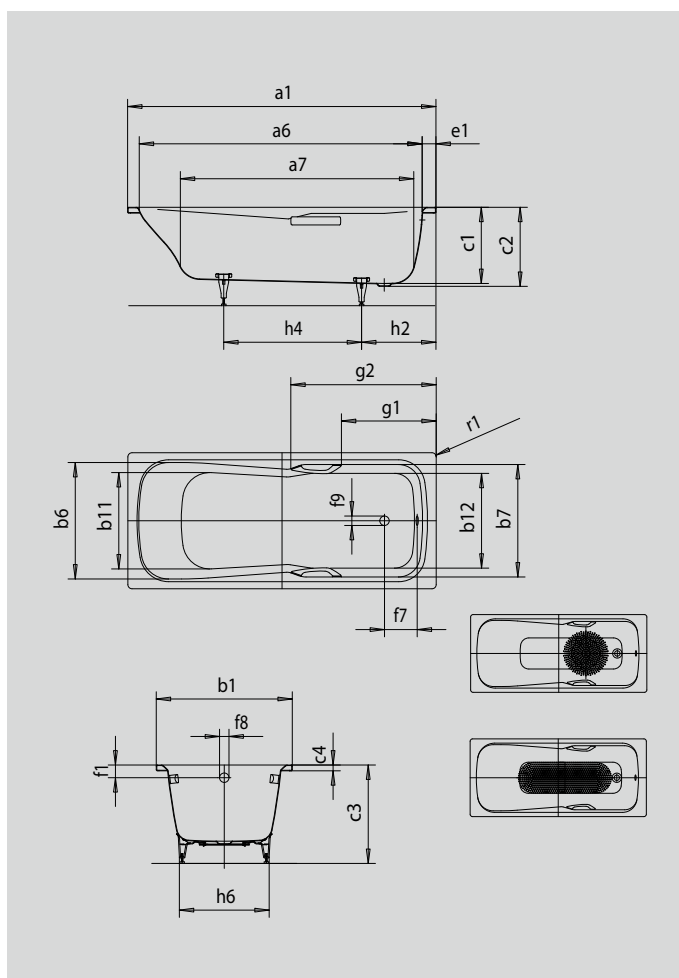


DYNA SET DYNA SET STAR

- one-seater bath with waste at foot end
- combi-bath suitable for bathing and showering
- also available with grips
- made of KALDEWEI steel enamel



Similar illustration




Model		620	621	622	623
External length	a ₁	1700	1700	1800	1800 mm
Internal length (top)	a ₆	1565	1565	1565	1565 mm
Internal length (bottom)	a ₇	1230	1230	1230	1230 mm
External width	b ₁	750	750	800	800 mm
Internal width (top)	b ₆ ; b ₇	640; 620	640; 620	640; 620	640; 620 mm
Internal width (bottom)	b ₁₁ ; b ₁₂	500; 520	500; 520	500; 520	500; 520 mm
Depth inside	c ₁	420	420	420	420 mm
Depth incl. waste hole	c ₂	430	430	430	430 mm
Height with feet	c ₃	561 - 586	561 - 586	561 - 586	561 - 586 mm
Height of rim	c ₄	32	32	32	32 mm
Width of rim (foot end)	e ₁	75	75	125	125 mm
Distance top edge to centre of overflow hole	f ₁	70	70	70	70 mm
Distance bath edge to centre of waste hole	f ₂	285	285	335	335 mm
Distance centre of waste hole to centre of overflow hole	f ₇	206	206	206	206 mm
Diameter of overflow hole	f ₈	Ø 52	Ø 52	Ø 52	Ø 52 mm
Diameter of waste hole	f ₉	Ø 52	Ø 52	Ø 52	Ø 52 mm
Distance bath edge (foot end) to start of grip	g ₁		525		575 mm
Distance bath edge (foot end) to end of grip	g ₂		800		850 mm
Distance foot end of bath edge to centre of foot	h ₂	410	410	415	415 mm
Distance between the feet	h ₄	760	760	805	805 mm
Width of feet max.	h ₆	495	495	495	495 mm
External radius	r ₁	23	23	23	23 mm
Water volume		169	169	169	169 l
Net weight		53	53	68	68 kg
Diameter of anti-slip		Ø 435	Ø 435	Ø 435	Ø 435 mm
Full anti-slip		900 x 300	900 x 300	900 x 300	900 x 300 mm

Subject to technical alterations, tolerances and errors. Similar illustration.
70 litres displacement on average.

KALDEWEI



	Model Order No.	Dimensions mm	Colour price groups			GBP
			Alpine White (I)	Sanitary Colours (II, III)	Coord. Colours (IV)	
DYNA SET	620 22610001xxxx	1700 x 750 x 420	1,006.00	1,308.00	1,308.00	
	622 22640001xxxx	1800 x 800 x 420	1,157.00	1,504.00	1,504.00	
DYNA SET STAR for mounting grips, grips subject to surcharge	621 22620001xxxx	1700 x 750 x 420	1,006.00	1,308.00	1,308.00	
	623 22650001xxxx	1800 x 800 x 420	1,157.00	1,504.00	1,504.00	
OPTIONAL: KALDEWEI PERFECTION SURFACE FINISHES		PRICE	(I)	(II), (III)	(IV)	
EXTRA CHARGE FOR EASY-CLEAN FINISH	xxxxxxx3xxx		86.00	86.00		
FULL ANTI-SLIP Fired into the enamel – Slip resistant pattern over almost the entire surface			188.50	188.50		
PARTIAL ANTI-SLIP Fired into the enamel – Slip resistant pattern over part of the surface			99.00	99.00		
OPTIONAL: KALDEWEI PROFESSIONAL INFLOW/OUTFLOW TECHNOLOGY ●¹		PRICE	(I)	(II), (III)	(IV)	
COMFORT LEVEL STANDARD, CHROME	KA 4001 687772330999	183.00				
COMFORT LEVEL PLUS STANDARD, CHROME with integrated filling function. Requires a non-return valve and connection hose. These are not included.	 KA 4011 687772370999	450.00				
OPTIONAL: KALDEWEI PROFESSIONAL INSTALLATION ●¹		PRICE	(I)	(II), (III)	(IV)	
PEDESTAL ALLROUND 5030	581470000000	45.00				
OPTIONAL: KALDEWEI PROFESSIONAL DESIGNER KNOBS ●¹		PRICE	(I)	(II), (III)	(IV)	
DYNA SET STAR GRIPS	591170000999	131.50				
OPTIONAL: KALDEWEI EXPERIENCE ●¹		PRICE	(I)	(II), (III)	(IV)	
SOUND WAVE SOUND WAVE can be used with all KALDEWEI bathtubs, except models with support and whirl systems!	6801 584576100000	651.00				
OPTIONAL: KALDEWEI PROFESSIONAL WATERPROOF ●¹		PRICE	(I)	(II), (III)	(IV)	
SEALING KIT FLEX	689720520000	48.50				
OPTIONAL: KALDEWEI SILENCE PLUS ●¹		PRICE	(I)	(II), (III)	(IV)	
BATH SOUND ABSORBING SET	687675730000	45.00				

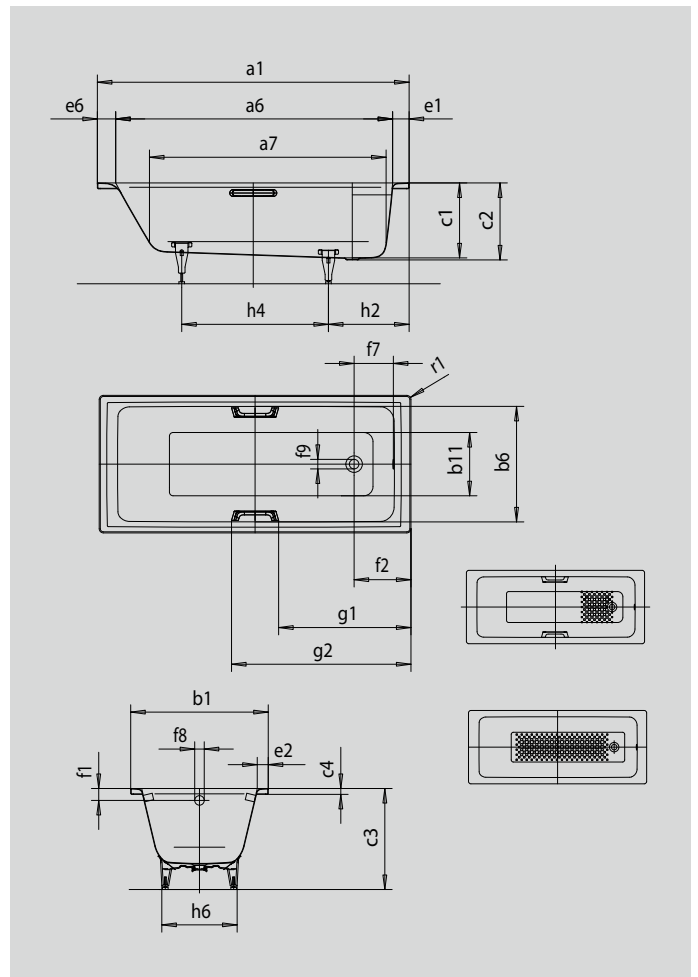


PURO PURO STAR

- straightlined, purist design
- classic four-cornered model
- one-seater bath with waste at foot end
- perfect match for the PURO model range
- made of KALDEWEI steel enamel



Similar illustration



GRIP ELEGANT PURISM




Model		683	685	687	689	652	654
External length	a ₁	1600	1600	1700	1700	1700	1700 mm
Internal length (top)	a ₆	1410	1410	1510	1510	1510	1510 mm
Internal length (bottom)	a ₇	1180	1180	1280	1280	1280	1280 mm
External width	b ₁	700	700	700	700	750	750 mm
Internal width (top)	b ₆	580	580	580	580	620	620 mm
Internal width (bottom)	b ₁₁	410	410	410	410	460	460 mm
Depth inside	c ₁	410	410	410	410	410	410 mm
Depth incl. waste hole	c ₂	420	420	420	420	420	420 mm
Height with feet	c ₃	552 - 572	552 - 572	555 - 565	555 - 565	554 - 568	554 - 568 mm
Height of rim	c ₄	32	32	32	32	32	32 mm
Width of rim (foot end; long side; head end)	e ₁ ; e ₂ ; e ₆	90; 60; 100	90; 60; 100	90; 60; 100	90; 60; 100	90; 60; 100	90; 60; 100 mm
Distance top edge to centre of overflow hole	f ₁	65	65	65	65	65	65 mm
Distance bath edge to centre of waste hole	f ₂	310	310	310	310	310	310 mm
Distance centre of waste hole to centre of overflow hole	f ₇	214	214	214	214	214	214 mm
Diameter of overflow hole	f ₈	Ø 52	Ø 52	Ø 52	Ø 52	Ø 52	Ø 52 mm
Diameter of waste hole	f ₉	Ø 52	Ø 52	Ø 52	Ø 52	Ø 52	Ø 52 mm
Distance bath edge (foot end) to start of grip	g ₁		671		721		721 mm
Distance bath edge (foot end) to end of grip	g ₂		929		979		979 mm
Distance foot end of bath edge to centre of foot	h ₂	435	435	445	445	445	445 mm
Distance between the feet	h ₄	705	705	755	755	750	750 mm
Width of feet max.	h ₆	410	410	420	420	470	470 mm
External radius	r ₁	23	23	23	23	23	23 mm
Water volume		105	105	122	122	137	137 l
Net weight		46	46	48	48	50	50 kg
Anti-slip		300 x 300	300 x 300	300 x 300	300 x 300	348 x 348	348 x 348 mm
Full anti-slip		708 x 252	708 x 252	876 x 252	876 x 252	924 x 348	924 x 348 mm

Subject to technical alterations, tolerances and errors. Similar illustration.
70 litres displacement on average.

KALDEWEI



	Model Order No.	Dimensions mm	Colour price groups			GBP
			Alpine White (I)	Sanitary Colours (II, III)	Coord. Colours (IV)	
PURO	683 2583 0001 xxxx	1600 x 700 x 410	796.00	1,034.00	1,034.00	
	687 2587 0001 xxxx	1700 x 700 x 410	796.00	1,034.00	1,034.00	
	652 2562 0001 xxxx	1700 x 750 x 410	757.00	984.00	984.00	
PURO STAR for mounting grips, grips subject to surcharge	685 2585 0001 xxxx	1600 x 700 x 410	796.00	1,034.00	1,034.00	
	689 2589 0001 xxxx	1700 x 700 x 410	796.00	1,034.00	1,034.00	
	654 2554 0001 xxxx	1700 x 750 x 410	757.00	984.00	984.00	
model available with 2 standard tap holes (180 mm centre to centre, diameter 35mm)	xxxx 2000 xxxx		without extra charge	without extra charge	without extra charge	
OPTIONAL: KALDEWEI PERFECTION SURFACE FINISHES		PRICE	(I)	(II), (III)	(IV)	
EXTRA CHARGE FOR EASY-CLEAN FINISH	xxxxxxx3xxx		86.00	86.00		
FULL ANTI-SLIP Fired into the enamel – Slip resistant pattern over almost the entire surface			188.50	188.50		
PARTIAL ANTI-SLIP Fired into the enamel – Slip resistant pattern over part of the surface			99.00	99.00		
OPTIONAL: KALDEWEI PROFESSIONAL INFLOW/OUTFLOW TECHNOLOGY ●¹		PRICE	(I)	(II), (III)	(IV)	
COMFORT LEVEL STANDARD, CHROME	KA 4001 687772330999	183.00				
COMFORT LEVEL PLUS STANDARD, CHROME with integrated filling function. Requires a non-return valve and connection hose. These are not included.	 KA 4011 687772370999	450.00				
OPTIONAL: KALDEWEI PROFESSIONAL INSTALLATION ●¹		PRICE	(I)	(II), (III)	(IV)	
SPECIAL PEDESTAL MOD.5037	58317000000	63.50				
OPTIONAL: KALDEWEI PROFESSIONAL DESIGNER GRIPS ●¹		PRICE	(I)	(II), (III)	(IV)	
GRIP ELEGANT PURISM Type A (2 grips), chrome	590870000999	321.00				
OPTIONAL: KALDEWEI EXPERIENCE ●¹		PRICE	(I)	(II), (III)	(IV)	
SOUND WAVE SOUND WAVE can be used with all KALDEWEI bathtubs, except models with support and whirl systems!	6801 584576100000	651.00				
OPTIONAL: KALDEWEI PROFESSIONAL WATERPROOF ●¹		PRICE	(I)	(II), (III)	(IV)	
SEALING KIT FLEX	689720520000	48.50				
OPTIONAL: KALDEWEI SILENCE PLUS ●¹		PRICE	(I)	(II), (III)	(IV)	
BATH SOUND ABSORBING SET	687675730000	45.00				

Wellness systems can be found from page 157.

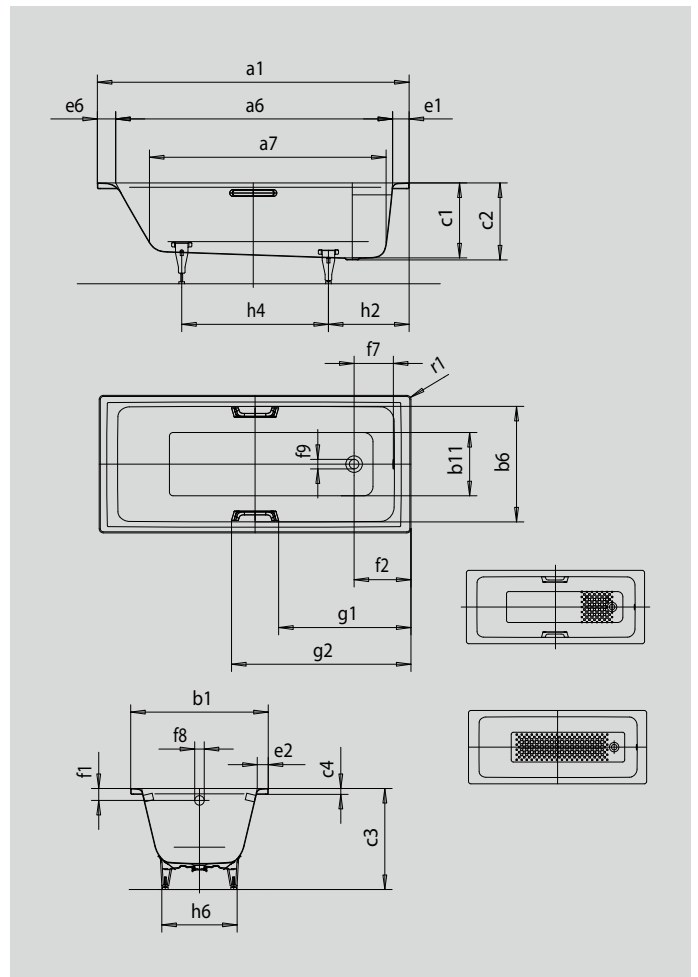


PURO PURO STAR

- straightlined, purist design
- classic four-cornered model
- one-seater bath with waste at foot end
- perfect match for the PURO model range
- made of KALDEWEI steel enamel



Similar illustration



GRIP ELEGANT PURISM




Model		691	693	653	655	696	698
External length	a ₁	1700	1700	1800	1800	1900	1900 mm
Internal length (top)	a ₆	1510	1510	1610	1610	1710	1710 mm
Internal length (bottom)	a ₇	1280	1280	1380	1380	1480	1480 mm
External width	b ₁	800	800	800	800	900	900 mm
Internal width (top)	b ₆	630	630	670	670	770	770 mm
Internal width (bottom)	b ₁₁	460	460	510	510	615	615 mm
Depth inside	c ₁	410	410	410	410	410	410 mm
Depth incl. waste hole	c ₂	420	420	420	420	420	420 mm
Height with feet	c ₃	552 - 565	552 - 565	553 - 563	553 - 563	546 - 554	546 - 554 mm
Height of rim	c ₄	32	32	32	32	32	32 mm
Width of rim (foot end; long side; head end)	e ₁ ; e ₂ ; e ₆	90; 85; 100	90; 85; 100	90; 60; 100	90; 60; 100	90; 65; 100	90; 65; 100 mm
Distance top edge to centre of overflow hole	f ₁	65	65	65	65	65	65 mm
Distance bath edge to centre of waste hole	f ₂	310	310	310	310	310	310 mm
Distance centre of waste hole to centre of overflow hole	f ₇	214	214	214	214	214	214 mm
Diameter of overflow hole	f ₈	Ø 52	Ø 52	Ø 52	Ø 52	Ø 52	Ø 52 mm
Diameter of waste hole	f ₉	Ø 52	Ø 52	Ø 52	Ø 52	Ø 52	Ø 52 mm
Distance bath edge (foot end) to start of grip	g ₁		721		771		821 mm
Distance bath edge (foot end) to end of grip	g ₂		979		1029		1079 mm
Distance foot end of bath edge to centre of foot	h ₂	445	445	460	460	395	395 mm
Distance between the feet	h ₄	755	755	820	820	945	945 mm
Width of feet max.	h ₆	480	480	520	520	630	630 mm
External radius	r ₁	23	23	23	23	23	23 mm
Water volume		141	141	170	170	232	232 l
Net weight		52	52	57	54	65	65 kg
Anti-slip		348 x 348	348 x 348	396 x 396	396 x 396	396 x 396	396 x 396 mm
Full anti-slip		924 x 348	924 x 348	1020 x 396	1020 x 396	1116 x 396	1116 x 396 mm

Subject to technical alterations, tolerances and errors. Similar illustration.
70 litres displacement on average.

KALDEWEI



	Model Order No.	Dimensions mm	Colour price groups			GBP
			Alpine White (I)	Sanitary Colours (II, III)	Coord. Colours (IV)	
PURO	691 2591 0001 xxxx	1700 x 800 x 410	829.00	1,077.00	1,077.00	
	653 2563 0001 xxxx	1800 x 800 x 410	844.00	1,098.00	1,098.00	
	696 2596 0001 xxxx	1900 x 900 x 410	1,237.00	1,608.00	1,608.00	
PURO STAR for mounting grips, grips subject to surcharge	693 2595 0001 xxxx	1700 x 800 x 410	829.00	1,077.00	1,077.00	
	655 2555 0001 xxxx	1800 x 800 x 410	844.00	1,098.00	1,098.00	
	698 2598 0001 xxxx	1900 x 900 x 410	1,237.00	1,608.00	1,608.00	
model available with 2 standard tap holes (180 mm centre to centre, diameter 35mm)	xxxx 2000 xxxx		without extra charge	without extra charge	without extra charge	
OPTIONAL: KALDEWEI PERFECTION SURFACE FINISHES		PRICE	(I)	(II), (III)	(IV)	
EXTRA CHARGE FOR EASY-CLEAN FINISH	xxxxxxx3xxx		86.00	86.00		
FULL ANTI-SLIP Fired into the enamel – Slip resistant pattern over almost the entire surface			188.50	188.50		
PARTIAL ANTI-SLIP Fired into the enamel – Slip resistant pattern over part of the surface			99.00	99.00		
OPTIONAL: KALDEWEI PROFESSIONAL INFLOW/OUTFLOW TECHNOLOGY ●¹		PRICE	(I)	(II), (III)	(IV)	
COMFORT LEVEL STANDARD, CHROME	KA 4001 6877 7233 0999	183.00				
COMFORT LEVEL PLUS STANDARD, CHROME with integrated filling function. Requires a non-return valve and connection hose. These are not included.	 KA 4011 6877 7237 0999	450.00				
OPTIONAL: KALDEWEI PROFESSIONAL INSTALLATION ●¹		PRICE	(I)	(II), (III)	(IV)	
SPECIAL PEDESTAL MOD.5037	5831 7000 0000	63.50				
OPTIONAL: KALDEWEI PROFESSIONAL DESIGNER GRIPS ●¹		PRICE	(I)	(II), (III)	(IV)	
GRIP ELEGANT PURISM Type A (2 grips), chrome	5908 7000 0999	321.00				
OPTIONAL: KALDEWEI EXPERIENCE ●¹		PRICE	(I)	(II), (III)	(IV)	
SOUND WAVE SOUND WAVE can be used with all KALDEWEI bathtubs, except models with support and whirl systems!	6801 5845 7610 0000	651.00				
OPTIONAL: KALDEWEI PROFESSIONAL WATERPROOF ●¹		PRICE	(I)	(II), (III)	(IV)	
SEALING KIT FLEX	6897 2052 0000	48.50				
OPTIONAL: KALDEWEI SILENCE PLUS ●¹		PRICE	(I)	(II), (III)	(IV)	
BATH SOUND ABSORBING SET	6876 7573 0000	45.00				

Wellness systems can be found from page 157.

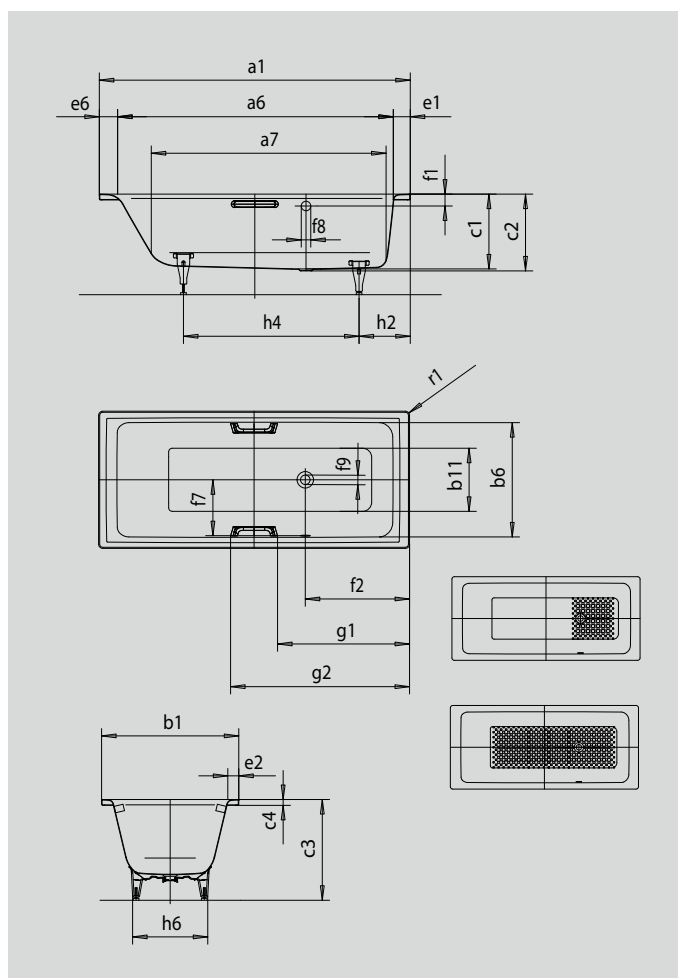


PURO/PURO STAR WITH SIDE OVERFLOW

- straightlined, purist design
- classic four-cornered model
- one-seater bath with side overflow
- perfect match for the PURO model range
- made of KALDEWEI steel enamel



Similar illustration



GRIP ELEGANT PURISM




Model		684	686	688	690	656	658
External length	a ₁	1600	1600	1700	1700	1700	1700 mm
Internal length (top)	a ₆	1410	1410	1510	1510	1510	1510 mm
Internal length (bottom)	a ₇	1180	1180	1280	1280	1280	1280 mm
External width	b ₁	700	700	700	700	750	750 mm
Internal width (top)	b ₆	580	580	580	580	630	630 mm
Internal width (bottom)	b ₁₁	410	410	410	410	460	460 mm
Depth inside	c ₁	410	410	410	410	410	410 mm
Depth incl. waste hole	c ₂	420	420	420	420	420	420 mm
Height with feet	c ₃	552 - 572	552 - 572	555 - 565	555 - 565	553 - 573	553 - 573 mm
Height of rim	c ₄	32	32	32	32	32	32 mm
Width of rim (foot end; long side; head end)	e ₁ ; e ₂ ; e ₆	90; 60; 100	90; 60; 100	90; 60; 100	90; 60; 100	90; 60; 100	90; 60; 100 mm
Distance top edge to centre of overflow hole	f ₁	70	70	70	70	70	70 mm
Distance bath edge to centre of waste hole	f ₂	570	570	570	570	570	570 mm
Distance centre of waste hole to centre of overflow hole	f ₇	275	275	275	275	300	300 mm
Diameter of overflow hole	f ₈	Ø 52	Ø 52	Ø 52	Ø 52	Ø 52	Ø 52 mm
Diameter of waste hole	f ₉	Ø 52	Ø 52	Ø 52	Ø 52	Ø 52	Ø 52 mm
Distance bath edge (foot end) to start of grip	g ₁		671		721		721 mm
Distance bath edge (foot end) to end of grip	g ₂		929		979		979 mm
Distance foot end of bath edge to centre of foot	h ₂	435	435	445	445	445	445 mm
Distance between the feet	h ₄	705	705	750	750	750	750 mm
Width of feet max.	h ₆	410	410	420	420	445	445 mm
External radius	r ₁	23	23	23	23	23	23 mm
Water volume		105	105	121	121	137	137 l
Net weight		45	45	48	48	51	51 kg
Anti-slip		300 x 300	300 x 300	300 x 300	300 x 300	348 x 348	348 x 348 mm
Full anti-slip		708 x 252	708 x 252	876 x 252	876 x 252	1020 x 348	1020 x 348 mm

Subject to technical alterations, tolerances and errors. Similar illustration.
70 litres displacement on average.

KALDEWEI



	Model Order No.	Dimensions mm	Colour price groups			GBP
			Alpine White (I)	Sanitary Colours (II, III)	Coord. Colours (IV)	
PURO WITH SIDE OVERFLOW	684 2584 0001 xxxx	1600 x 700 x 410	924.00	1,202.00	1,202.00	
	688 2588 0001 xxxx	1700 x 700 x 410	924.00	1,202.00	1,202.00	
	656 2566 0001 xxxx	1700 x 750 x 410	887.00	1,154.00	1,154.00	
PURO STAR WITH SIDE OVERFLOW for mounting grips, grips subject to surcharge	686 2586 0001 xxxx	1600 x 700 x 410	924.00	1,202.00	1,202.00	
	690 2590 0001 xxxx	1700 x 700 x 410	924.00	1,202.00	1,202.00	
	658 2558 0001 xxxx	1700 x 750 x 410	887.00	1,154.00	1,154.00	
Design with opposite overflow available	xxxx 2300 xxxx		without extra charge	without extra charge	without extra charge	
model available with 2 standard tap holes (180 mm centre to centre, diameter 35mm)	xxxx 2000 xxxx		without extra charge	without extra charge	without extra charge	
OPTIONAL: KALDEWEI PERFECTION SURFACE FINISHES		PRICE	(I)	(II), (III)	(IV)	
EXTRA CHARGE FOR EASY-CLEAN FINISH	xxxxxxx 3 xxx		86.00	86.00		
FULL ANTI-SLIP Fired into the enamel – Slip resistant pattern over almost the entire surface			188.50	188.50		
PARTIAL ANTI-SLIP Fired into the enamel – Slip resistant pattern over part of the surface			99.00	99.00		
OPTIONAL: KALDEWEI PROFESSIONAL INFLOW/OUTFLOW TECHNOLOGY ●¹		PRICE	(I)	(II), (III)	(IV)	
COMFORT LEVEL EXTENDED, CHROME enamelled waste cover and chrome overflow knob	KA 4002 6877 7234 0999	215.50				
COMFORT LEVEL PLUS EXTENDED, CHROME with integrated filling function. Requires a non-return valve and connection hose. These are not included.	 KA 4012 6877 7238 0999	509.00				
OPTIONAL: KALDEWEI PROFESSIONAL INSTALLATION ●¹		PRICE	(I)	(II), (III)	(IV)	
SPECIAL PEDESTAL MOD.5037	5831 7000 0000	63.50				
OPTIONAL: KALDEWEI PROFESSIONAL DESIGNER GRIPS ●¹		PRICE	(I)	(II), (III)	(IV)	
GRIP ELEGANT PURISM Type A (2 grips), chrome	5908 7000 0999	321.00				
OPTIONAL: KALDEWEI EXPERIENCE ●¹		PRICE	(I)	(II), (III)	(IV)	
SOUND WAVE SOUND WAVE can be used with all KALDEWEI bathtubs, except models with support and whirl systems!	6801 5845 7610 0000	651.00				
OPTIONAL: KALDEWEI PROFESSIONAL WATERPROOF ●¹		PRICE	(I)	(II), (III)	(IV)	
SEALING KIT FLEX	6897 2052 0000	48.50				
OPTIONAL: KALDEWEI SILENCE PLUS ●¹		PRICE	(I)	(II), (III)	(IV)	
BATH SOUND ABSORBING SET	6876 7573 0000	45.00				

Wellness systems can be found from page 157.

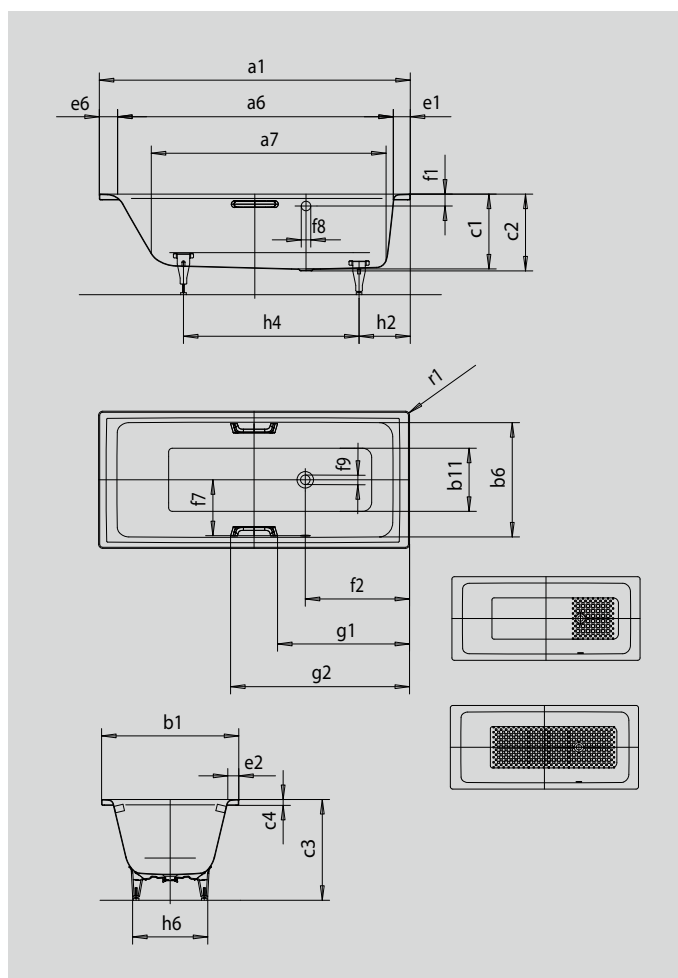


PURO/PURO STAR WITH SIDE OVERFLOW

- straightlined, purist design
- classic four-cornered model
- one-seater bath with side overflow
- perfect match for the PURO model range
- made of KALDEWEI steel enamel



Similar illustration



GRIP ELEGANT PURISM




Model		692	694	657	659	697	699
External length	a ₁	1700	1700	1800	1800	1900	1900 mm
Internal length (top)	a ₆	1510	1510	1610	1610	1710	1710 mm
Internal length (bottom)	a ₇	1280	1280	1380	1380	1480	1480 mm
External width	b ₁	800	800	800	800	900	900 mm
Internal width (top)	b ₆	630	630	680	680	770	770 mm
Internal width (bottom)	b ₁₁	460	460	510	510	615	615 mm
Depth inside	c ₁	410	410	410	410	410	410 mm
Depth incl. waste hole	c ₂	420	420	420	420	420	420 mm
Height with feet	c ₃	555 - 565	555 - 565	551 - 571	551 - 571	547 - 560	547 - 560 mm
Height of rim	c ₄	32	32	32	32	32	32 mm
Width of rim (foot end; long side; head end)	e ₁ ; e ₂ ; e ₆	90; 85; 100	90; 85; 100	90; 60; 100	90; 60; 100	90; 65; 100	90; 65; 100 mm
Distance top edge to centre of overflow hole	f ₁	70	70	70	70	70	70 mm
Distance bath edge to centre of waste hole	f ₂	570	570	570	570	570	570 mm
Distance centre of waste hole to centre of overflow hole	f ₇	300	300	325	325	375	375 mm
Diameter of overflow hole	f ₈	Ø 52	Ø 52	Ø 52	Ø 52	Ø 52	Ø 52 mm
Diameter of waste hole	f ₉	Ø 52	Ø 52	Ø 52	Ø 52	Ø 52	Ø 52 mm
Distance bath edge (foot end) to start of grip	g ₁		721		771		821 mm
Distance bath edge (foot end) to end of grip	g ₂		979		1029		1079 mm
Distance foot end of bath edge to centre of foot	h ₂	445	445	460	460	395	395 mm
Distance between the feet	h ₄	750	750	820	820	945	945 mm
Width of feet max.	h ₆	480	480	485	485	625	625 mm
External radius	r ₁	23	23	23	23	23	23 mm
Water volume		140	140	170	170	230	230 l
Net weight		53	53	57	57	65	65 kg
Anti-slip		348 x 348	348 x 348	396 x 396	396 x 396	396 x 396	396 x 396 mm
Full anti-slip		924 x 348	924 x 348	1165 x 396	1165 x 396	1260 x 396	1260 x 396 mm

Subject to technical alterations, tolerances and errors. Similar illustration.
70 litres displacement on average.

KALDEWEI



	Model Order No.	Dimensions mm	Colour price groups			GBP
			Alpine White (I)	Sanitary Colours (II, III)	Coord. Colours (IV)	
PURO STAR WITH SIDE OVERFLOW for mounting grips, grips subject to surcharge	694 2594 0001 xxxx	1700 x 800 x 410	958.00	1,245.00	1,245.00	
	659 2559 0001 xxxx	1800 x 800 x 410	971.00	1,262.00	1,262.00	
	699 2599 0001 xxxx	1900 x 900 x 410	1,353.00	1,759.00	1,759.00	
PURO WITH SIDE OVERFLOW	692 2592 0001 xxxx	1700 x 800 x 410	958.00	1,245.00	1,245.00	
	657 2567 0001 xxxx	1800 x 800 x 410	971.00	1,262.00	1,262.00	
	697 2597 0001 xxxx	1900 x 900 x 410	1,353.00	1,759.00	1,759.00	
Design with opposite overflow available	xxxx 2300 xxxx		without extra charge	without extra charge	without extra charge	
model available with 2 standard tap holes (180 mm centre to centre, diameter 35mm)	xxxx 2000 xxxx		without extra charge	without extra charge	without extra charge	
OPTIONAL: KALDEWEI PERFECTION SURFACE FINISHES		PRICE	(I)	(II), (III)	(IV)	
EXTRA CHARGE FOR EASY-CLEAN FINISH	xxxxxxx 3 xxx		86.00	86.00		
FULL ANTI-SLIP Fired into the enamel – Slip resistant pattern over almost the entire surface			188.50	188.50		
PARTIAL ANTI-SLIP Fired into the enamel – Slip resistant pattern over part of the surface			99.00	99.00		
OPTIONAL: KALDEWEI PROFESSIONAL INFLOW/OUTFLOW TECHNOLOGY ●¹		PRICE	(I)	(II), (III)	(IV)	
COMFORT LEVEL EXTENDED, CHROME enamelled waste cover and chrome overflow knob	KA 4002 6877 7234 0999	215.50				
COMFORT LEVEL PLUS EXTENDED, CHROME with integrated filling function. Requires a non-return valve and connection hose. These are not included.	 KA 4012 6877 7238 0999	509.00				
OPTIONAL: KALDEWEI PROFESSIONAL INSTALLATION ●¹		PRICE	(I)	(II), (III)	(IV)	
SPECIAL PEDESTAL MOD.5037	5831 7000 0000	63.50				
OPTIONAL: KALDEWEI PROFESSIONAL DESIGNER GRIPS ●¹		PRICE	(I)	(II), (III)	(IV)	
GRIP ELEGANT PURISM Type A (2 grips), chrome	5908 7000 0999	321.00				
OPTIONAL: KALDEWEI EXPERIENCE ●¹		PRICE	(I)	(II), (III)	(IV)	
SOUND WAVE SOUND WAVE can be used with all KALDEWEI bathtubs, except models with support and whirl systems!	6801 5845 7610 0000	651.00				
OPTIONAL: KALDEWEI PROFESSIONAL WATERPROOF ●¹		PRICE	(I)	(II), (III)	(IV)	
SEALING KIT FLEX	6897 2052 0000	48.50				
OPTIONAL: KALDEWEI SILENCE PLUS ●¹		PRICE	(I)	(II), (III)	(IV)	
BATH SOUND ABSORBING SET	6876 7573 0000	45.00				

Wellness systems can be found from page 157.

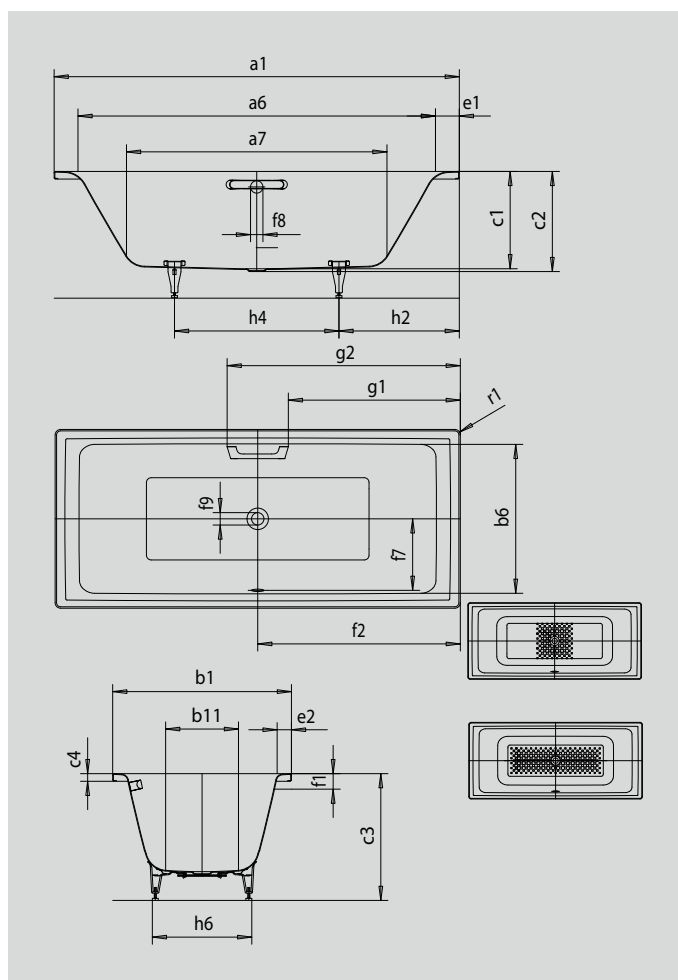


PURO DUO

- straightlined, purist design
- classic four-cornered model
- perfect match for the PURO model range
- bathing with a friend: two identical back rests and centrally positioned waste
- made of KALDEWEI steel enamel



Similar illustration



GRIP ELEGANT PURISM




Model		663	664	665
External length	a ₁	1700	1800	1900 mm
Internal length (top)	a ₆	1500	1600	1700 mm
Internal length (bottom)	a ₇	1130	1230	1330 mm
External width	b ₁	750	800	900 mm
Internal width (top)	b ₆	630	680	780 mm
Internal width (bottom)	b ₁₁	460	510	615 mm
Depth inside	c ₁	410	410	410 mm
Depth incl. waste hole	c ₂	420	420	420 mm
Height with feet	c ₃	540 - 575	545 - 572	540 - 575 mm
Height of rim	c ₄	32	32	32 mm
Width of rim (foot end; long side)	e ₁ ; e ₂	100; 60	100; 60	100; 60 mm
Distance top edge to centre of overflow hole	f ₁	65	65	65 mm
Distance bath edge to centre of waste hole	f ₂	850	900	950 mm
Distance centre of waste hole to centre of overflow hole	f ₇	305	330	380 mm
Diameter of overflow hole	f ₈	Ø 52	Ø 52	Ø 52 mm
Diameter of waste hole	f ₉	Ø 52	Ø 52	Ø 52 mm
Distance bath edge (foot end) to start of grip	g ₁	722	772	822 mm
Distance bath edge (foot end) to end of grip	g ₂	978	1028	1078 mm
Distance foot end of bath edge to centre of foot	h ₂	545	535	585 mm
Distance between the feet	h ₄	605	730	730 mm
Width of feet max.	h ₆	465	510	605 mm
External radius	r ₁	23	23	23 mm
Water volume		122	165	217 l
Net weight		48	54	61 kg
Anti-slip		348 x 348	348 x 348	348 x 348 mm
Full anti-slip		876 x 252	924 x 348	1020 x 396 mm

Subject to technical alterations, tolerances and errors. Similar illustration. 70 litres displacement on average.

KALDEWEI



	Model Order No.	Dimensions mm	Colour price groups			GBP
			Alpine White (I)	Sanitary Colours (II, III)	Coord. Colours (IV)	
PURO DUO	663 26630001xxxx	1700 x 750 x 410	975.00	1,267.00	1,267.00	
	664 26640001xxxx	1800 x 800 x 410	1,016.00	1,319.00	1,319.00	
	665 26650001xxxx	1900 x 900 x 410	1,429.00	1,858.00	1,858.00	
Model with grip holes on one side available	xxxx1011xxxx		without extra charge	without extra charge	without extra charge	
OPTIONAL: KALDEWEI PERFECTION SURFACE FINISHES		PRICE	(I)	(II), (III)	(IV)	
EXTRA CHARGE FOR EASY-CLEAN FINISH	xxxxxxx3xxx		86.00	86.00		
FULL ANTI-SLIP Fired into the enamel – Slip resistant pattern over almost the entire surface			188.50	188.50		
PARTIAL ANTI-SLIP Fired into the enamel – Slip resistant pattern over part of the surface			99.00	99.00		
OPTIONAL: KALDEWEI PROFESSIONAL INFLOW/OUTFLOW TECHNOLOGY ●¹		PRICE	(I)	(II), (III)	(IV)	
COMFORT LEVEL EXTENDED, CHROME enamelled waste cover and chrome overflow knob	KA 4002 687772340999	215.50				
COMFORT LEVEL PLUS EXTENDED, CHROME with integrated filling function. Requires a non-return valve and connection hose. These are not included.	 KA 4012 687772380999	509.00				
OPTIONAL: KALDEWEI PROFESSIONAL INSTALLATION ●¹		PRICE	(I)	(II), (III)	(IV)	
SPECIAL PEDESTAL MOD.5037	583170000000	63.50				
OPTIONAL: KALDEWEI PROFESSIONAL DESIGNER GRIPS ●¹		PRICE	(I)	(II), (III)	(IV)	
GRIP ELEGANT PURISM Type B (1 grip), chrome	590970000999	214.50				
OPTIONAL: KALDEWEI EXPERIENCE ●¹		PRICE	(I)	(II), (III)	(IV)	
SOUND WAVE SOUND WAVE can be used with all KALDEWEI bathtubs, except models with support and whirl systems!	6801 584576100000	651.00				
OPTIONAL: KALDEWEI PROFESSIONAL WATERPROOF ●¹		PRICE	(I)	(II), (III)	(IV)	
SEALING KIT FLEX	689720520000	48.50				
OPTIONAL: KALDEWEI SILENCE PLUS ●¹		PRICE	(I)	(II), (III)	(IV)	
BATH SOUND ABSORBING SET	687675730000	45.00				

Wellness systems can be found from page 157.

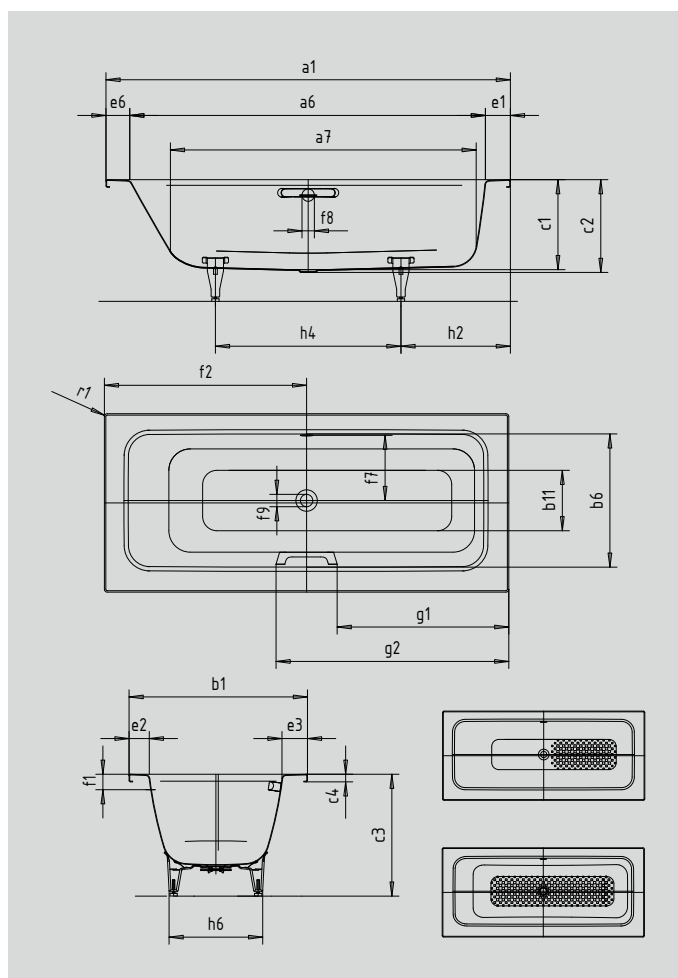


PURO SET WIDE LEFT

- unique bathtub sensibly accommodates different needs and desires in a single solution
- combi-bath suitable for bathing and showering
- clean, minimalist rectangular bathtub with reduced edges
- the centrally located waste and overflow fitting keeps the sense of balance through symmetry
- perfect match for the PURO model range
- backrest to one end provides plenty of space for sitting or relaxed bathing
- steep sides ensure a generously dimensioned interior allowing freedom of movement thanks to the centrally positioned waste
- the reduced depth makes it easier to get in and out of the tub and saves on water consumption.



Similar illustration




GRIP ELEGANT PURISM



Model		668
External length	a ₁	1700 mm
Internal length (top)	a ₆	1495 mm
Internal length (bottom)	a ₇	1300 mm
External width	b ₁	750 mm
Internal width (top)	b ₆	560 mm
Internal width (bottom)	b ₁₁	435 mm
Depth inside	c ₁	380 mm
Depth incl. waste hole	c ₂	390 mm
Height with feet	c ₃	520 - 553 mm
Height of rim	c ₄	32 mm
Width of rim long side	e ₃	105 mm
Width of rim (foot end; long side; head end)	e ₁ ; e ₂ ; e ₆	105; 85; 100 mm
Distance top edge to centre of overflow hole	f ₁	70 mm
Distance bath edge to centre of waste hole	f ₂	850 mm
Distance centre of waste hole to centre of overflow hole	f ₇	270 mm
Diameter of overflow hole	f ₈	Ø 52 mm
Diameter of waste hole	f ₉	Ø 52 mm
Distance bath edge (foot end) to start of grip	g ₁	722 mm
Distance bath edge (foot end) to end of grip	g ₂	978 mm
Distance foot end of bath edge to centre of foot	h ₂	398 mm
Distance between the feet	h ₄	754 mm
Width of feet max.	h ₆	393 mm
External radius	r ₁	12 mm
Water volume		93 l
Net weight		50 kg
Anti-slip		540 x 252 mm
Full anti-slip		1020 x 252 mm

Subject to technical alterations, tolerances and errors. Similar illustration. 70 litres displacement on average.

KALDEWEI

	Model Order No.	Dimensions mm	Colour price groups			GBP
			Alpine White (I)	Sanitary Colours (II, III)	Coord. Colours (IV)	
PURO SET WIDE LEFT	668 26110001xxxx	1700 x 750 x 380	949.00	1,234.00	1,234.00	
Model with grip holes on one side available	xxxx1011xxxx		without extra charge	without extra charge	without extra charge	
model available with 2 standard tap holes (180 mm centre to centre, diameter 35mm)	xxxx2000xxxx		without extra charge	without extra charge	without extra charge	
OPTIONAL: KALDEWEI PERFECTION SURFACE FINISHES		PRICE	(I)	(II), (III)	(IV)	
EXTRA CHARGE FOR EASY-CLEAN FINISH	xxxxxxx3xxx		86.00	86.00		
FULL ANTI-SLIP Fired into the enamel – Slip resistant pattern over almost the entire surface			188.50	188.50		
PARTIAL ANTI-SLIP Fired into the enamel – Slip resistant pattern over part of the surface			99.00	99.00		
OPTIONAL: KALDEWEI PROFESSIONAL INFLOW/OUTFLOW TECHNOLOGY ●¹		PRICE	(I)	(II), (III)	(IV)	
COMFORT LEVEL EXTENDED, CHROME enamelled waste cover and chrome overflow knob	KA 4002 687772340999	215.50				
COMFORT LEVEL PLUS EXTENDED, CHROME with integrated filling function. Requires a non-return valve and connection hose. These are not included.	 KA 4012 687772380999	509.00				
OPTIONAL: KALDEWEI PROFESSIONAL INSTALLATION ●¹		PRICE	(I)	(II), (III)	(IV)	
SPECIAL PEDESTAL MOD.5037	583170000000	63.50				
OPTIONAL: KALDEWEI PROFESSIONAL DESIGNER GRIPS ●¹		PRICE	(I)	(II), (III)	(IV)	
GRIP ELEGANT PURISM Type B (1 grip), chrome	590970000999	214.50				
OPTIONAL: KALDEWEI EXPERIENCE ●¹		PRICE	(I)	(II), (III)	(IV)	
SOUND WAVE SOUND WAVE can be used with all KALDEWEI bathtubs, except models with support and whirl systems!	6801 584576100000	651.00				
OPTIONAL: KALDEWEI PROFESSIONAL WATERPROOF ●¹		PRICE	(I)	(II), (III)	(IV)	
SEALING KIT FLEX	689720520000	48.50				
OPTIONAL: KALDEWEI SILENCE PLUS ●¹		PRICE	(I)	(II), (III)	(IV)	
BATH SOUND ABSORBING SET	687675730000	45.00				

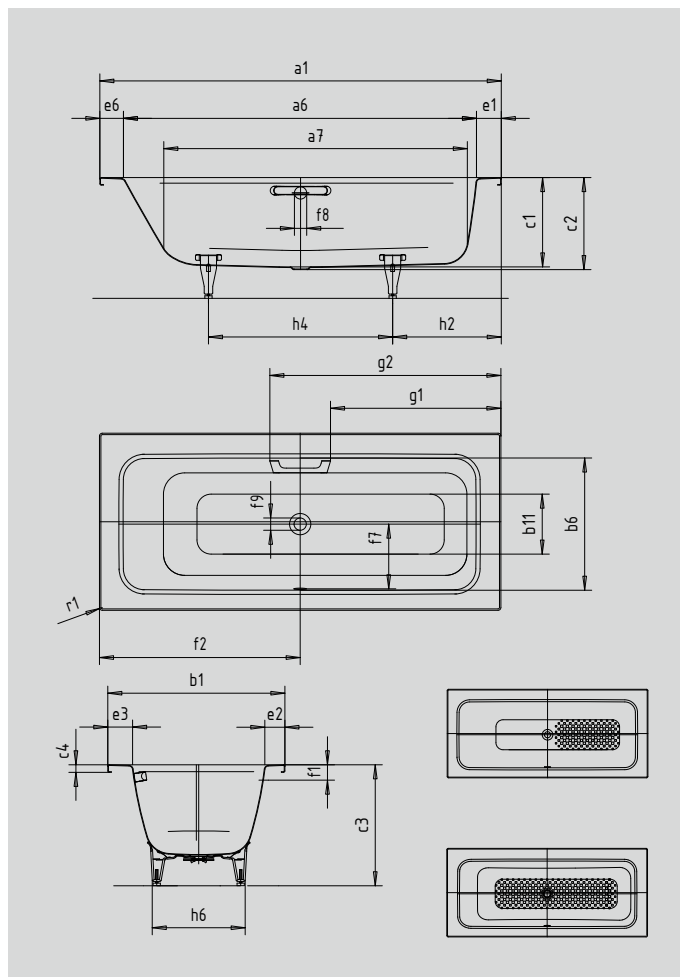
Wellness systems can be found from page 157.

PURO SET WIDE RIGHT

- unique bathtub sensibly accommodates different needs and desires in a single solution
- combi-bath suitable for bathing and showering
- clean, minimalist rectangular bathtub with reduced edges
- the centrally located waste and overflow fitting keeps the sense of balance through symmetry
- perfect match for the PURO model range
- backrest to one end provides plenty of space for sitting or relaxed bathing
- steep sides ensure a generously dimensioned interior allowing freedom of movement thanks to the centrally positioned waste
- the reduced depth makes it easier to get in and out of the tub and saves on water consumption.



Similar illustration




GRIP ELEGANT PURISM



Model		667
External length	a ₁	1700 mm
Internal length (top)	a ₆	1495 mm
Internal length (bottom)	a ₇	1300 mm
External width	b ₁	750 mm
Internal width (top)	b ₆	560 mm
Internal width (bottom)	b ₁₁	435 mm
Depth inside	c ₁	380 mm
Depth incl. waste hole	c ₂	390 mm
Height with feet	c ₃	520 - 553 mm
Height of rim	c ₄	32 mm
Width of rim long side	e ₃	105 mm
Width of rim (foot end; long side; head end)	e ₁ ; e ₂ ; e ₆	105; 85; 100 mm
Distance top edge to centre of overflow hole	f ₁	70 mm
Distance bath edge to centre of waste hole	f ₂	850 mm
Distance centre of waste hole to centre of overflow hole	f ₇	270 mm
Diameter of overflow hole	f ₈	Ø 52 mm
Diameter of waste hole	f ₉	Ø 52 mm
Distance bath edge (foot end) to start of grip	g ₁	722 mm
Distance bath edge (foot end) to end of grip	g ₂	978 mm
Distance foot end of bath edge to centre of foot	h ₂	398 mm
Distance between the feet	h ₄	754 mm
Width of feet max.	h ₆	393 mm
External radius	r ₁	12 mm
Water volume		93 l
Net weight		50 kg
Anti-slip		540 x 252 mm
Full anti-slip		1020 x 252 mm

Subject to technical alterations, tolerances and errors. Similar illustration. 70 litres displacement on average.

KALDEWEI

	Model Order No.	Dimensions mm	Colour price groups			GBP
			Alpine White (I)	Sanitary Colours (II, III)	Coord. Colours (IV)	
PURO SET WIDE RIGHT	667 26100001xxxx	1700 x 750 x 380	949.00	1,234.00	1,234.00	
Model with grip holes on one side available	xxxx 1011 xxxx		without extra charge	without extra charge	without extra charge	
model available with 2 standard tap holes (180 mm centre to centre, diameter 35mm)	xxxx 2000 xxxx		without extra charge	without extra charge	without extra charge	
OPTIONAL: KALDEWEI PERFECTION SURFACE FINISHES		PRICE	(I)	(II), (III)	(IV)	
EXTRA CHARGE FOR EASY-CLEAN FINISH	xxxx xxxx3 xxx		86.00	86.00		
FULL ANTI-SLIP Fired into the enamel – Slip resistant pattern over almost the entire surface			188.50	188.50		
PARTIAL ANTI-SLIP Fired into the enamel – Slip resistant pattern over part of the surface			99.00	99.00		
OPTIONAL: KALDEWEI PROFESSIONAL INFLOW/OUTFLOW TECHNOLOGY ●¹		PRICE	(I)	(II), (III)	(IV)	
COMFORT LEVEL EXTENDED, CHROME enamelled waste cover and chrome overflow knob	KA 4002 687772340999	215.50				
COMFORT LEVEL PLUS EXTENDED, CHROME with integrated filling function. Requires a non-return valve and connection hose. These are not included.	 KA 4012 687772380999	509.00				
OPTIONAL: KALDEWEI PROFESSIONAL INSTALLATION ●¹		PRICE	(I)	(II), (III)	(IV)	
SPECIAL PEDESTAL MOD.5037	5831 7000 0000	63.50				
OPTIONAL: KALDEWEI PROFESSIONAL DESIGNER GRIPS ●¹		PRICE	(I)	(II), (III)	(IV)	
GRIP ELEGANT PURISM Type B (1 grip), chrome	5909 7000 0999	214.50				
OPTIONAL: KALDEWEI EXPERIENCE ●¹		PRICE	(I)	(II), (III)	(IV)	
SOUND WAVE SOUND WAVE can be used with all KALDEWEI bathtubs, except models with support and whirl systems!	6801 5845 7610 0000	651.00				
OPTIONAL: KALDEWEI PROFESSIONAL WATERPROOF ●¹		PRICE	(I)	(II), (III)	(IV)	
SEALING KIT FLEX	6897 2052 0000	48.50				
OPTIONAL: KALDEWEI SILENCE PLUS ●¹		PRICE	(I)	(II), (III)	(IV)	
BATH SOUND ABSORBING SET	6876 7573 0000	45.00				

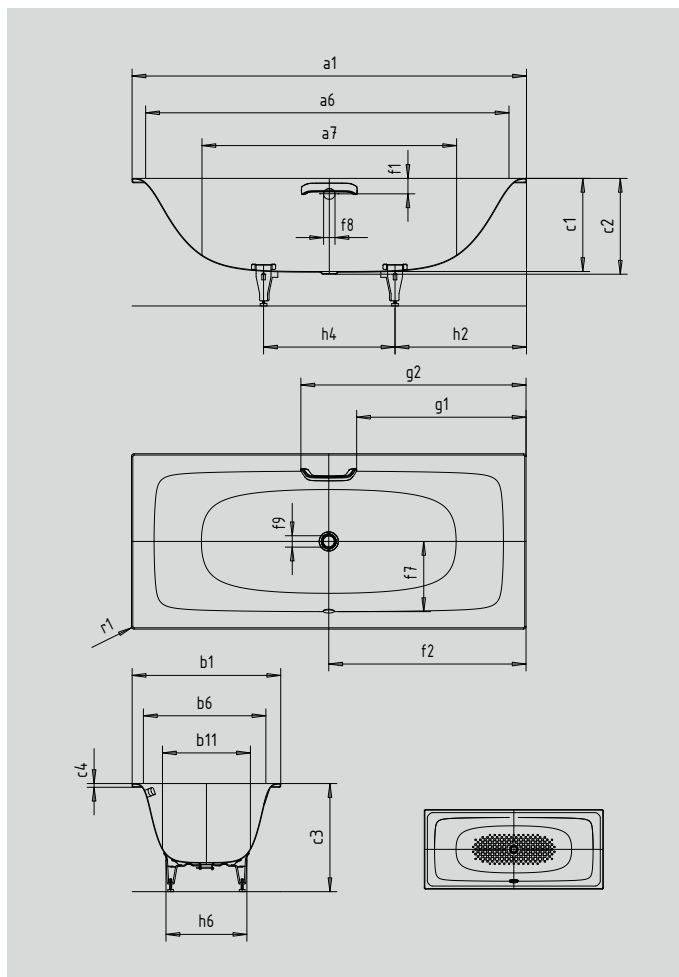
Wellness systems can be found from page 157.

SILENIO

- flowing form integrates harmoniously in your bathroom
- its ergonomically fluid interior is designed for relaxed bathing
- versatile for any installation situation
- also available with grip on one side
- bathing with a friend: two identical back rests and centrally positioned waste
- made of KALDEWEI steel enamel
- designed by Anke Salomon



Similar illustration



GRIP DISCREET OPULENCE




Model		674	676	678
External length	a ₁	1700	1800	1900 mm
Internal length (top)	a ₆	1576	1676	1776 mm
Internal length (bottom)	a ₇	1112	1162	1262 mm
External width	b ₁	750	800	900 mm
Internal width (top)	b ₆	626	676	776 mm
Internal width (bottom)	b ₁₁	423	473	537 mm
Depth inside	c ₁	400	425	425 mm
Depth incl. waste hole	c ₂	410	435	435 mm
Height with feet	c ₃	544 - 583	570 - 605	565 - 602 mm
Height of rim	c ₄	20	20	20 mm
Distance top edge to centre of overflow hole	f ₁	70	70	70 mm
Distance bath edge to centre of waste hole	f ₂	850	900	950 mm
Distance centre of waste hole to centre of overflow hole	f ₇	293	320	362 mm
Diameter of overflow hole	f ₈	Ø 52	Ø 52	Ø 52 mm
Diameter of waste hole	f ₉	Ø 52	Ø 52	Ø 52 mm
Distance bath edge (foot end) to start of grip	g ₁	722	772	822 mm
Distance bath edge (foot end) to end of grip	g ₂	978	1028	1078 mm
Distance foot end of bath edge to centre of foot	h ₂	566	595	591 mm
Distance between the feet	h ₄	568	610	718 mm
Width of feet max.	h ₆	340	360	430 mm
External radius	r ₁	12	12	12 mm
Watervolume		96	140	188 l
Net weight		44	50	56 kg
Full anti-slip		780 x 252	828 x 300	924 x 348 mm

Subject to technical alterations, tolerances and errors. Similar illustration.
70 litres displacement on average.

KALDEWEI



	Model Order No.	Dimensions mm	Colour price groups			GBP
			Alpine White (I)	Sanitary Colours (II, III)	Coord. Colours (IV)	
SILENIO	674 26740001xxxx	1700 x 750 x 400	993.00	1,291.00	1,291.00	
	676 26760001xxxx	1800 x 800 x 425	1,042.00	1,355.00	1,355.00	
	678 26780001xxxx	1900 x 900 x 425	1,448.00	1,882.00	1,882.00	
Model with grip holes on one side available	xxxx 1011 xxxx		without extra charge	without extra charge	without extra charge	
OPTIONAL: KALDEWEI PERFECTION SURFACE FINISHES		PRICE	(I)	(II), (III)	(IV)	
EXTRA CHARGE FOR EASY-CLEAN FINISH	xxxxxxx3xxx		86.00	86.00		
FULL ANTI-SLIP Fired into the enamel – Slip resistant pattern over almost the entire surface			188.50	188.50		
OPTIONAL: KALDEWEI PROFESSIONAL INFLOW/OUTFLOW TECHNOLOGY ●¹		PRICE	(I)	(II), (III)	(IV)	
COMFORT LEVEL EXTENDED, CHROME enamelled waste cover and chrome overflow knob	KA 4002 687772340999	215.50				
COMFORT LEVEL PLUS EXTENDED, CHROME with integrated filling function. Requires a non-return valve and connection hose. These are not included.	 KA 4012 687772380999	509.00				
OPTIONAL: KALDEWEI PROFESSIONAL INSTALLATION ●¹		PRICE	(I)	(II), (III)	(IV)	
SPECIAL PEDESTAL MOD.5037	58317000000	63.50				
OPTIONAL: KALDEWEI PROFESSIONAL DESIGNER GRIPS ●¹		PRICE	(I)	(II), (III)	(IV)	
GRIP DISCREET OPULENCE Type C (1 grip), chrome	59137000999	214.50				
OPTIONAL: KALDEWEI EXPERIENCE ●¹		PRICE	(I)	(II), (III)	(IV)	
SOUND WAVE SOUND WAVE can be used with all KALDEWEI bathtubs, except models with support and whirl systems!	6801 58457610000	651.00				
OPTIONAL: KALDEWEI PROFESSIONAL WATERPROOF ●¹		PRICE	(I)	(II), (III)	(IV)	
SEALING KIT FLEX	689720520000	48.50				
OPTIONAL: KALDEWEI SILENCE PLUS ●¹		PRICE	(I)	(II), (III)	(IV)	
BATH SOUND ABSORBING SET	687675730000	45.00				

Wellness systems can be found from page 157.



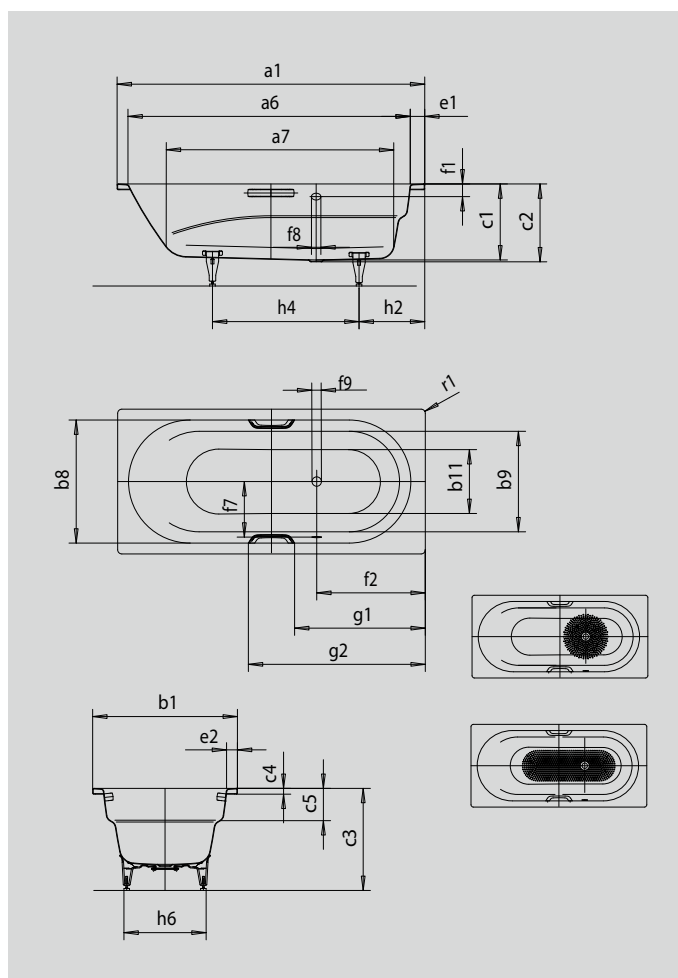
VAIO

VAIO STAR

- one-seater bath with side overflow and integrated arm rests
- classic four-cornered model
- also available with grips
- made of KALDEWEI steel enamel



Similar illustration



GRIP DISCREET OPULENCE



Model		960	961
External length	a ₁	1700	1700 mm
Internal length (top)	a ₆	1560	1560 mm
Internal length (bottom)	a ₇	1255	1255 mm
External width	b ₁	800	800 mm
Internal width (bottom)	b ₁₁	496	496 mm
Internal width bathing area (with; without armrest)	b ₈ ; b ₉	680; 555	680; 555 mm
Depth inside	c ₁	420	420 mm
Depth incl. waste hole	c ₂	430	430 mm
Height with feet	c ₃	555 - 590	555 - 590 mm
Height of rim	c ₄	32	32 mm
Armrest depth	c ₅	180	180 mm
Width of rim (foot end; long side)	e ₁ ; e ₂	80; 60	80; 60 mm
Distance top edge to centre of overflow hole	f ₁	70	70 mm
Distance bath edge to centre of waste hole	f ₂	600	600 mm
Distance centre of waste hole to centre of overflow hole	f ₇	332	332 mm
Diameter of overflow hole	f ₈	Ø 52	Ø 52 mm
Diameter of waste hole	f ₉	Ø 52	Ø 52 mm
Distance bath edge (foot end) to start of grip	g ₁		722 mm
Distance bath edge (foot end) to end of grip	g ₂		978 mm
Distance foot end of bath edge to centre of foot	h ₂	443	443 mm
Distance between the feet	h ₄	670	670 mm
Width of feet max.	h ₆	445	445 mm
External radius	r ₁	23	23 mm
Water volume		145	145 l
Net weight		50	50 kg
Diameter of anti-slip		Ø 435	Ø 435 mm
Full anti-slip		900 x 300	900 x 300 mm

Subject to technical alterations, tolerances and errors. Similar illustration. 70 litres displacement on average.

KALDEWEI



	Model Order No.	Dimensions mm	Colour price groups			GBP
			Alpine White (I)	Sanitary Colours (II, III)	Coord. Colours (IV)	
VAIO	960 23400001xxxx	1700 x 800 x 420	856.00	1,113.00	1,113.00	
VAIO STAR for mounting grips, grips subject to surcharge	961 23410001xxxx	1700 x 800 x 420	856.00	1,113.00	1,113.00	
Design with opposite overflow available	xxxx 2300 xxxx		without extra charge	without extra charge	without extra charge	
model available with 2 standard tap holes (180 mm centre to centre, diameter 35mm)	xxxx 2000 xxxx		without extra charge	without extra charge	without extra charge	
OPTIONAL: KALDEWEI PERFECTION SURFACE FINISHES		PRICE	(I)	(II), (III)	(IV)	
EXTRA CHARGE FOR EASY-CLEAN FINISH	xxxxxxx 3 xxx		86.00	86.00		
FULL ANTI-SLIP Fired into the enamel – Slip resistant pattern over almost the entire surface			188.50	188.50		
PARTIAL ANTI-SLIP Fired into the enamel – Slip resistant pattern over part of the surface			99.00	99.00		
OPTIONAL: KALDEWEI PROFESSIONAL INFLOW/OUTFLOW TECHNOLOGY ●¹		PRICE	(I)	(II), (III)	(IV)	
COMFORT LEVEL EXTENDED, CHROME enamelled waste cover and chrome overflow knob	KA 4002 687772340999	215.50				
OPTIONAL: KALDEWEI PROFESSIONAL INSTALLATION ●¹		PRICE	(I)	(II), (III)	(IV)	
PEDESTAL ALLROUND 5030	581470000000	45.00				
OPTIONAL: KALDEWEI PROFESSIONAL DESIGNER GRIPS ●¹		PRICE	(I)	(II), (III)	(IV)	
GRIP DISCREET OPULENCE Type B (2 grips), chrome	590770000999	321.00				
OPTIONAL: KALDEWEI EXPERIENCE ●¹		PRICE	(I)	(II), (III)	(IV)	
SOUND WAVE SOUND WAVE can be used with all KALDEWEI bathtubs, except models with support and whirl systems!	6801 584576100000	651.00				
OPTIONAL: KALDEWEI PROFESSIONAL WATERPROOF ●¹		PRICE	(I)	(II), (III)	(IV)	
SEALING KIT FLEX	689720520000	48.50				
OPTIONAL: KALDEWEI SILENCE PLUS ●¹		PRICE	(I)	(II), (III)	(IV)	
BATH SOUND ABSORBING SET	687675730000	45.00				

Further accessories can be found on page 140. Available colours see page 17.

●¹= separate accessory. For more information on the 12-digit KALDEWEI Order Number see page 20.

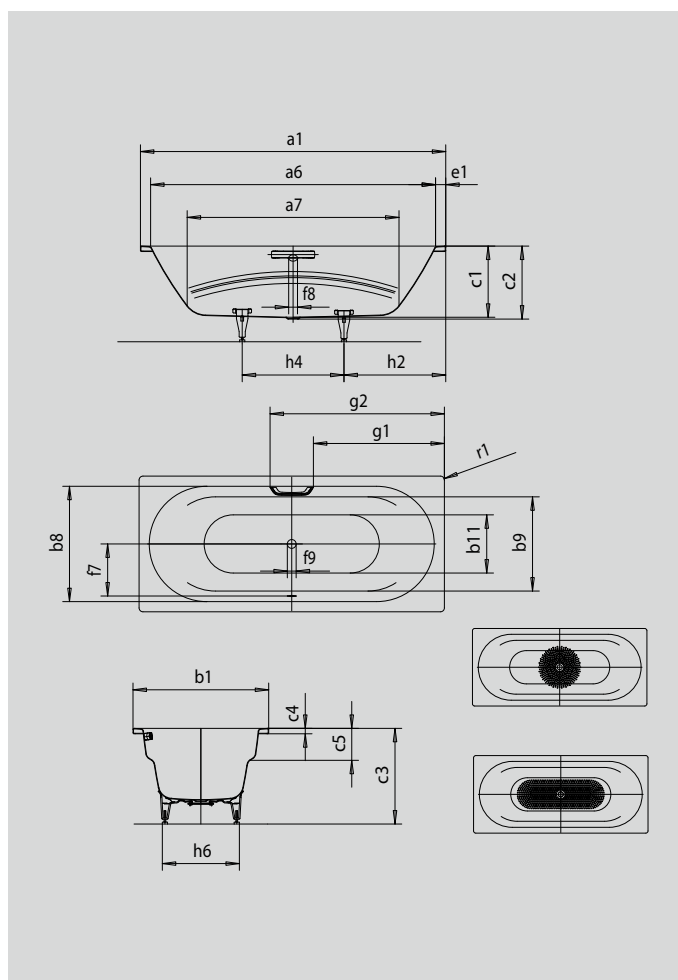


VAIO DUO

- classic four-cornered model
- with integrated arm rests
- bathing with a friend: two identical back rests and centrally positioned waste
- made of KALDEWEI steel enamel



Similar illustration



GRIP DISCREET OPULENCE



Model		950
External length	a ₁	1800 mm
Internal length (top)	a ₆	1680 mm
Internal length (bottom)	a ₇	1248 mm
External width	b ₁	800 mm
Internal width (bottom)	b ₁₁	496 mm
Internal width bathing area (with; without armrest)	b ₈ ; b ₉	680; 555 mm
Depth inside	c ₁	420 mm
Depth incl. waste hole	c ₂	430 mm
Height with feet	c ₃	550 - 590 mm
Height of rim	c ₄	32 mm
Armrest depth	c ₅	180 mm
Width of rim (foot end)	e ₁	60 mm
Distance top edge to centre of overflow hole	f ₁	70 mm
Distance bath edge to centre of waste hole	f ₂	900 mm
Distance centre of waste hole to centre of overflow hole	f ₇	332 mm
Diameter of overflow hole	f ₈	Ø 52 mm
Diameter of waste hole	f ₉	Ø 52 mm
Distance bath edge (foot end) to start of grip	g ₁	772 mm
Distance bath edge (foot end) to end of grip	g ₂	1028 mm
Distance foot end of bath edge to centre of foot	h ₂	600 mm
Distance between the feet	h ₄	600 mm
Width of feet max.	h ₆	455 mm
External radius	r ₁	23 mm
Water volume		155 l
Net weight		53 kg
Diameter of anti-slip		Ø 435 mm
Full anti-slip		900 x 300 mm

Subject to technical alterations, tolerances and errors. Similar illustration.
70 litres displacement on average.

KALDEWEI



	Model Order No.	Dimensions mm	Colour price groups			GBP Coord. Colours (IV)
			Alpine White (I)	Sanitary Colours (II, III)		
VAIO DUO	950 23300001xxxx	1800 x 800 x 420	1,120.00	1,455.00	1,455.00	
Model with grip holes on one side available	xxxx 1011 xxxx		without extra charge	without extra charge	without extra charge	
OPTIONAL: KALDEWEI PERFECTION SURFACE FINISHES		PRICE	(I)	(II), (III)	(IV)	
EXTRA CHARGE FOR EASY-CLEAN FINISH	xxxxxxx3xxx		86.00	86.00		
FULL ANTI-SLIP Fired into the enamel – Slip resistant pattern over almost the entire surface			188.50	188.50		
PARTIAL ANTI-SLIP Fired into the enamel – Slip resistant pattern over part of the surface			99.00	99.00		
OPTIONAL: KALDEWEI PROFESSIONAL INFLOW/OUTFLOW TECHNOLOGY ●¹		PRICE	(I)	(II), (III)	(IV)	
COMFORT LEVEL EXTENDED, CHROME enamelled waste cover and chrome overflow knob	KA 4002 687772340999	215.50				
OPTIONAL: KALDEWEI PROFESSIONAL INSTALLATION ●¹		PRICE	(I)	(II), (III)	(IV)	
PEDESTAL ALLROUND 5030	581470000000	45.00				
OPTIONAL: KALDEWEI PROFESSIONAL DESIGNER GRIPS ●¹		PRICE	(I)	(II), (III)	(IV)	
GRIP DISCREET OPULENCE Type A (1 grip), chrome	590670000999	214.50				
OPTIONAL: KALDEWEI EXPERIENCE ●¹		PRICE	(I)	(II), (III)	(IV)	
SOUND WAVE SOUND WAVE can be used with all KALDEWEI bathtubs, except models with support and whirl systems!	6801 584576100000	651.00				
OPTIONAL: KALDEWEI PROFESSIONAL WATERPROOF ●¹		PRICE	(I)	(II), (III)	(IV)	
SEALING KIT FLEX	689720520000	48.50				
OPTIONAL: KALDEWEI SILENCE PLUS ●¹		PRICE	(I)	(II), (III)	(IV)	
BATH SOUND ABSORBING SET	687675730000	45.00				

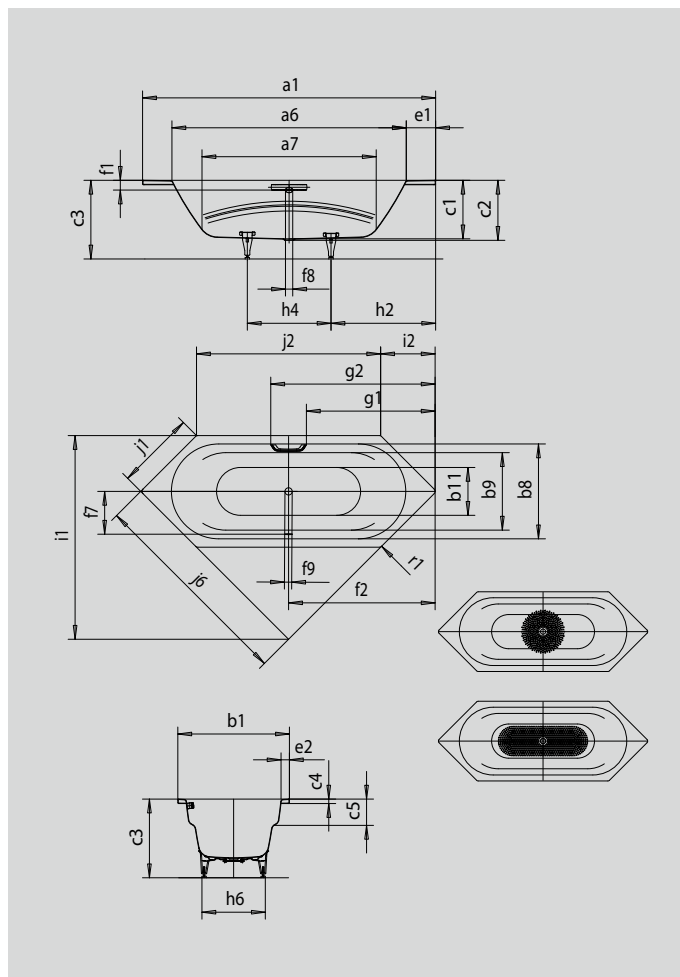


VAIO DUO 6

- diverse installation possibilities, also corner installation
- with integrated arm rests
- bathing with a friend: two identical back rests and centrally positioned waste
- made of KALDEWEI steel enamel



Similar illustration



GRIP DISCREET OPULENCE



Model		952
External length	a ₁	2100 mm
Internal length (top)	a ₆	1680 mm
Internal length (bottom)	a ₇	1248 mm
External width	b ₁	800 mm
Internal width (bottom)	b ₁₁	496 mm
Internal width bathing area (with; without armrest)	b ₉ ; b ₈	680; 555 mm
Depth inside	c ₁	420 mm
Depth incl. waste hole	c ₂	430 mm
Height with feet	c ₃	550 - 590 mm
Height of rim	c ₄	32 mm
Armrest depth	c ₅	180 mm
Width of rim (foot end; long side)	e ₁ ; e ₂	210; 60 mm
Distance top edge to centre of overflow hole	f ₁	70 mm
Distance bath edge to centre of waste hole	f ₂	1050 mm
Distance centre of waste hole to centre of overflow hole	f ₇	332 mm
Diameter of overflow hole	f ₈	Ø 52 mm
Diameter of waste hole	f ₉	Ø 52 mm
Distance bath edge (foot end) to start of grip	g ₁	923 mm
Distance bath edge (foot end) to end of grip	g ₂	1178 mm
Distance foot end of bath edge to centre of foot	h ₂	750 mm
Distance between the feet	h ₄	600 mm
Width of feet max.	h ₅	455 mm
Installation dimension	i ₁	1460 mm
Angled edge	i ₂	390 mm
Side length	j ₆	1499 mm
Length of sides	j ₁ ; j ₂	566; 1320 mm
External radius	r ₁	23 mm
Water volume		155 l
Net weight		50 kg
Diameter of anti-slip		Ø 435 mm
Full anti-slip		900 x 300 mm

Subject to technical alterations, tolerances and errors. Similar illustration.
70 litres displacement on average.

KALDEWEI



	Model Order No.	Dimensions mm	Colour price groups			GBP
			Alpine White (I)	Sanitary Colours (II, III)	Coord. Colours (IV)	
VAIO DUO 6	952 2332 0001 xxxx	2100 x 800 x 420	1,681.00	2,186.00	2,186.00	
Model with grip holes on one side available	xxxx 1011 xxxx		without extra charge	without extra charge	without extra charge	
OPTIONAL: KALDEWEI PERFECTION SURFACE FINISHES		PRICE	(I)	(II), (III)	(IV)	
EXTRA CHARGE FOR EASY-CLEAN FINISH	xxxx xxxx3 xxx		86.00	86.00		
FULL ANTI-SLIP Fired into the enamel – Slip resistant pattern over almost the entire surface			188.50	188.50		
PARTIAL ANTI-SLIP Fired into the enamel – Slip resistant pattern over part of the surface			99.00	99.00		
OPTIONAL: KALDEWEI PROFESSIONAL INFLOW/OUTFLOW TECHNOLOGY ●¹		PRICE	(I)	(II), (III)	(IV)	
COMFORT LEVEL EXTENDED, CHROME enamelled waste cover and chrome overflow knob	KA 4002 6877 7234 0999	215.50				
OPTIONAL: KALDEWEI PROFESSIONAL INSTALLATION ●¹		PRICE	(I)	(II), (III)	(IV)	
PEDESTAL ALLROUND 5030	5814 7000 0000	45.00				
OPTIONAL: KALDEWEI PROFESSIONAL DESIGNER GRIPS ●¹		PRICE	(I)	(II), (III)	(IV)	
GRIP DISCREET OPULENCE Type A (1 grip), chrome	5906 7000 0999	214.50				
OPTIONAL: KALDEWEI EXPERIENCE ●¹		PRICE	(I)	(II), (III)	(IV)	
SOUND WAVE SOUND WAVE can be used with all KALDEWEI bathtubs, except models with support and whirl systems!	6801 5845 7610 0000	651.00				
OPTIONAL: KALDEWEI SILENCE PLUS ●¹		PRICE	(I)	(II), (III)	(IV)	
BATH SOUND ABSORBING SET	6876 7573 0000	45.00				

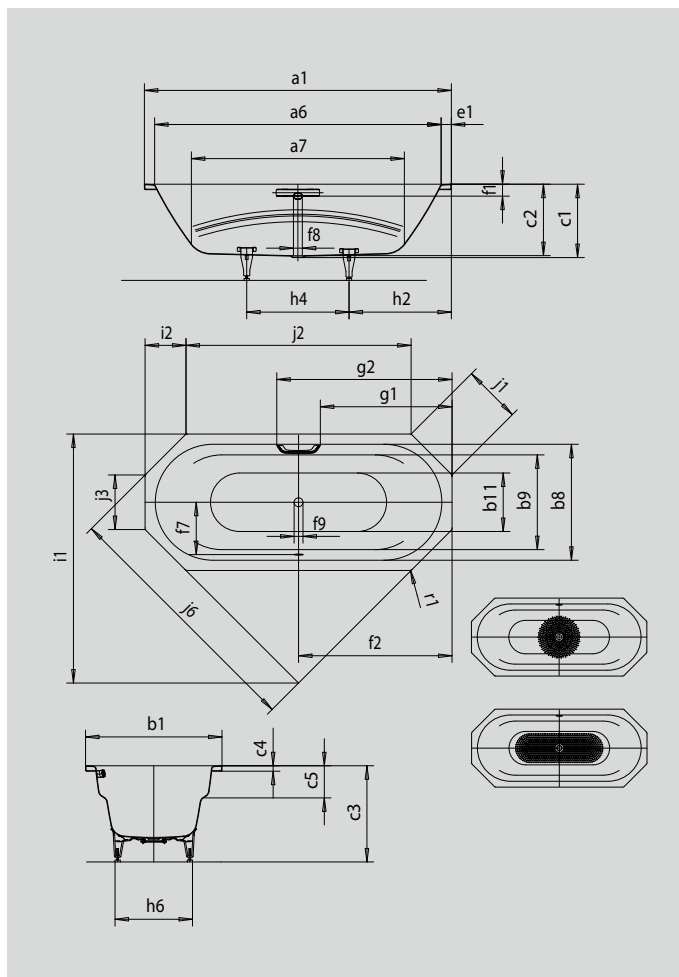


VAIO DUO 8

- diverse installation possibilities, also corner installation
- with integrated arm rests
- bathing with a friend: two identical back rests and centrally positioned waste
- made of KALDEWEI steel enamel



Similar illustration



GRIP DISCREET OPULENCE



Model		953
External length	a ₁	1800 mm
Internal length (top)	a ₆	1680 mm
Internal length (bottom)	a ₇	1248 mm
External width	b ₁	800 mm
Internal width (bottom)	b ₁₁	496 mm
Internal width bathing area (with; without armrest)	b ₉ ; b ₈	680; 555 mm
Depth inside	c ₁	420 mm
Depth incl. waste hole	c ₂	430 mm
Height with feet	c ₃	550 - 590 mm
Height of rim	c ₄	32 mm
Armrest depth	c ₅	180 mm
Width of rim (foot end)	e ₁	60 mm
Distance top edge to centre of overflow hole	f ₁	70 mm
Distance bath edge to centre of waste hole	f ₂	900 mm
Distance centre of waste hole to centre of overflow hole	f ₇	332 mm
Diameter of overflow hole	f ₈	Ø 52 mm
Diameter of waste hole	f ₉	Ø 52 mm
Distance bath edge (foot end) to start of grip	g ₁	772 mm
Distance bath edge (foot end) to end of grip	g ₂	1028 mm
Distance foot end of bath edge to centre of foot	h ₂	600 mm
Distance between the feet	h ₄	600 mm
Width of feet max.	h ₅	455 mm
Installation dimension	i ₁	1460 mm
Angled edge	i ₂	240 mm
Side length	j ₆	1499 mm
Length of sides	j ₁ ; j ₂ ; j ₃	340; 1320; 320 mm
External radius	r ₁	23 mm
Water volume		155 l
Net weight		49 kg
Diameter of anti-slip		Ø 435 mm
Full anti-slip		900 x 300 mm

Subject to technical alterations, tolerances and errors. Similar illustration.
70 litres displacement on average.

KALDEWEI



	Model Order No.	Dimensions mm	Colour price groups			GBP
			Alpine White (I)	Sanitary Colours (II, III)	Coord. Colours (IV)	
VAIO DUO 8	953 2333 0001 xxxx	1800 x 800 x 420	1,783.00	2,320.00	2,320.00	
Model with grip holes on one side available	xxxx 1011 xxxx		without extra charge	without extra charge	without extra charge	
OPTIONAL: KALDEWEI PERFECTION SURFACE FINISHES		PRICE	(I)	(II), (III)	(IV)	
EXTRA CHARGE FOR EASY-CLEAN FINISH	xxxx xxxx3 xxx		86.00	86.00		
FULL ANTI-SLIP Fired into the enamel – Slip resistant pattern over almost the entire surface			188.50	188.50		
PARTIAL ANTI-SLIP Fired into the enamel – Slip resistant pattern over part of the surface			99.00	99.00		
OPTIONAL: KALDEWEI PROFESSIONAL INFLOW/OUTFLOW TECHNOLOGY ●¹		PRICE	(I)	(II), (III)	(IV)	
COMFORT LEVEL EXTENDED, CHROME enamelled waste cover and chrome overflow knob	KA 4002 6877 7234 0999	215.50				
OPTIONAL: KALDEWEI PROFESSIONAL INSTALLATION ●¹		PRICE	(I)	(II), (III)	(IV)	
PEDESTAL ALLROUND 5030	5814 7000 0000	45.00				
OPTIONAL: KALDEWEI PROFESSIONAL DESIGNER GRIPS ●¹		PRICE	(I)	(II), (III)	(IV)	
GRIP DISCREET OPULENCE Type A (1 grip), chrome	5906 7000 0999	214.50				
OPTIONAL: KALDEWEI EXPERIENCE ●¹		PRICE	(I)	(II), (III)	(IV)	
SOUND WAVE SOUND WAVE can be used with all KALDEWEI bathtubs, except models with support and whirl systems!	6801 5845 7610 0000	651.00				
OPTIONAL: KALDEWEI SILENCE PLUS ●¹		PRICE	(I)	(II), (III)	(IV)	
BATH SOUND ABSORBING SET	6876 7573 0000	45.00				

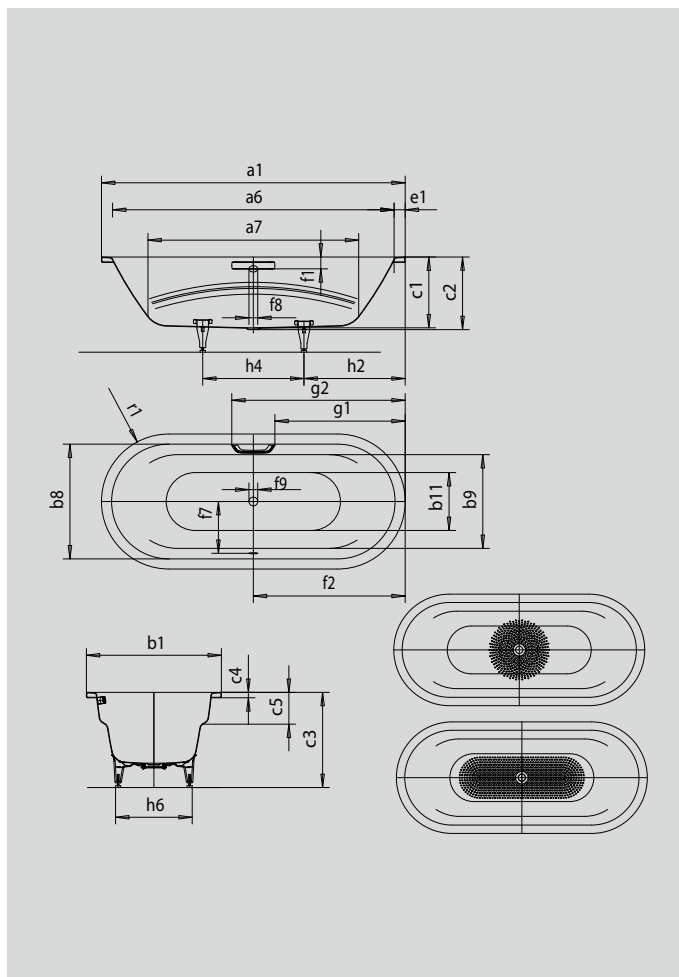


VAIO DUO OVAL

- bathing with a friend: two identical back rests and centrally positioned waste
- with integrated arm rests
- made of KALDEWEI steel enamel



Similar illustration



GRIP DISCREET OPULENCE



Model		951
External length	a ₁	1800 mm
Internal length (top)	a ₆	1680 mm
Internal length (bottom)	a ₇	1248 mm
External width	b ₁	800 mm
Internal width (bottom)	b ₁₁	496 mm
Internal width bathing area (with; without armrest)	b ₈ ; b ₉	680; 555 mm
Depth inside	c ₁	420 mm
Depth incl. waste hole	c ₂	430 mm
Height with feet	c ₃	550 - 590 mm
Height of rim	c ₄	32 mm
Armrest depth	c ₅	180 mm
Width of rim (foot end)	e ₁	60 mm
Distance top edge to centre of overflow hole	f ₁	70 mm
Distance bath edge to centre of waste hole	f ₂	900 mm
Distance centre of waste hole to centre of overflow hole	f ₇	332 mm
Diameter of overflow hole	f ₈	Ø 52 mm
Diameter of waste hole	f ₉	Ø 52 mm
Distance bath edge (foot end) to start of grip	g ₁	772 mm
Distance bath edge (foot end) to end of grip	g ₂	1028 mm
Distance foot end of bath edge to centre of foot	h ₂	600 mm
Distance between the feet	h ₄	600 mm
Width of feet max.	h ₆	455 mm
External radius	r ₁	400 mm
Water volume		155 l
Net weight		50 kg
Diameter of anti-slip		Ø 435 mm
Full anti-slip		900 x 300 mm

Subject to technical alterations, tolerances and errors. Similar illustration.
70 litres displacement on average.

KALDEWEI



	Model Order No.	Dimensions mm	Colour price groups			GBP Coord. Colours (IV)
			Alpine White (I)	Sanitary Colours (II, III)		
VAIO DUO OVAL	951 2331 0001 xxxx	1800 x 800 x 420	1,476.00	1,919.00	1,919.00	
Model with grip holes on one side available	xxxx 1011 xxxx		without extra charge	without extra charge	without extra charge	
OPTIONAL: KALDEWEI PERFECTION SURFACE FINISHES		PRICE	(I)	(II), (III)	(IV)	
EXTRA CHARGE FOR EASY-CLEAN FINISH	xxxx xxxx3 xxx		86.00	86.00		
FULL ANTI-SLIP Fired into the enamel – Slip resistant pattern over almost the entire surface			188.50	188.50		
PARTIAL ANTI-SLIP Fired into the enamel – Slip resistant pattern over part of the surface			99.00	99.00		
OPTIONAL: KALDEWEI PROFESSIONAL INFLOW/OUTFLOW TECHNOLOGY ●¹		PRICE	(I)	(II), (III)	(IV)	
COMFORT LEVEL EXTENDED, CHROME enamelled waste cover and chrome overflow knob	KA 4002 6877 7234 0999	215.50				
OPTIONAL: KALDEWEI PROFESSIONAL INSTALLATION ●¹		PRICE	(I)	(II), (III)	(IV)	
PEDESTAL ALLROUND 5030	5814 7000 0000	45.00				
OPTIONAL: KALDEWEI PROFESSIONAL DESIGNER GRIPS ●¹		PRICE	(I)	(II), (III)	(IV)	
GRIP DISCREET OPULENCE Type A (1 grip), chrome	5906 7000 0999	214.50				
OPTIONAL: KALDEWEI EXPERIENCE ●¹		PRICE	(I)	(II), (III)	(IV)	
SOUND WAVE SOUND WAVE can be used with all KALDEWEI bathtubs, except models with support and whirl systems!	6801 5845 7610 0000	651.00				
OPTIONAL: KALDEWEI SILENCE PLUS ●¹		PRICE	(I)	(II), (III)	(IV)	
BATH SOUND ABSORBING SET	6876 7573 0000	45.00				

Wellness systems can be found from page 157.



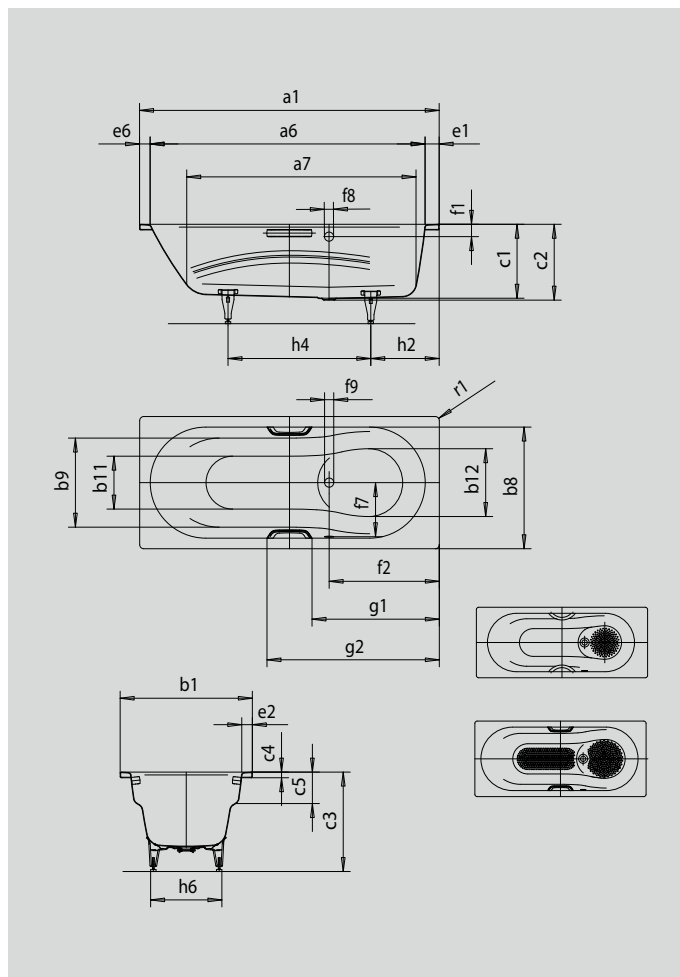
VAIO SET

VAIO SET STAR

- one-seater bath with side overflow and integrated arm rests
- combi-bath suitable for bathing and showering
- also available with grips
- made of KALDEWEI steel enamel



Similar illustration



GRIP DISCREET OPULENCE



Model		956	957	944	945
External length	a ₁	1600	1600	1700	1700 mm
Internal length (top)	a ₆	1460	1460	1460	1460 mm
Internal length (bottom)	a ₇	1200	1200	1200	1200 mm
External width	b ₁	700	700	700	700 mm
Internal width bathing area (with; without armrest)	b ₉ ; b ₉	580; 470	580; 470	580; 470	580; 470 mm
Internal width (bottom)	b ₁₁ ; b ₁₂	420; 475	420; 475	420; 475	420; 475 mm
Depth inside	c ₁	420	420	420	420 mm
Depth incl. waste hole	c ₂	430	430	430	430 mm
Height with feet	c ₃	560 - 580	560 - 580	567 - 590	567 - 590 mm
Height of rim	c ₄	32	32	32	32 mm
Armrest depth	c ₅	175	175	175	175 mm
Width of rim (foot end; long side; head end)	e ₁ ; e ₂ ; e ₆	80; 60; 60	80; 60; 60	130; 60; 110	130; 60; 110 mm
Distance top edge to centre of overflow hole	f ₁	70	70	70	70 mm
Distance bath edge to centre of waste hole	f ₂	575	575	625	625 mm
Distance centre of waste hole to centre of overflow hole	f ₇	280	280	280	280 mm
Diameter of overflow hole	f ₈	Ø 52	Ø 52	Ø 52	Ø 52 mm
Diameter of waste hole	f ₉	Ø 52	Ø 52	Ø 52	Ø 52 mm
Distance bath edge (foot end) to start of grip	g ₁		672		722 mm
Distance bath edge (foot end) to end of grip	g ₂		928		978 mm
Distance foot end of bath edge to centre of foot	h ₂	435	435	485	485 mm
Distance between the feet	h ₄	625	625	625	625 mm
Width of feet max.	h ₆	425	425	430	430 mm
External radius	r ₁	23	23	23	23 mm
Watervolume		100	100	100	100 l
Net weight		45	45	47	47 kg
Diameter of anti-slip		Ø 288	Ø 288	Ø 288	Ø 288 mm

Subject to technical alterations, tolerances and errors. Similar illustration. 70 litres displacement on average.

KALDEWEI



	Model Order No.	Dimensions mm	Colour price groups			GBP
			Alpine White (I)	Sanitary Colours (II, III)	Coord. Colours (IV)	
VAIO SET	956 23360001xxxx	1600 x 700 x 420	818.00	1,062.00	1,062.00	
	944 23440001xxxx	1700 x 700 x 420	818.00	1,062.00	1,062.00	
VAIO SET STAR for mounting grips, grips subject to surcharge	957 23370001xxxx	1600 x 700 x 420	818.00	1,062.00	1,062.00	
	945 23450001xxxx	1700 x 700 x 420	818.00	1,062.00	1,062.00	
Design with opposite overflow available	xxxx2300xxxx		without extra charge	without extra charge	without extra charge	
model available with 2 standard tap holes (180 mm centre to centre, diameter 35mm)	xxxx2000xxxx		without extra charge	without extra charge	without extra charge	
OPTIONAL: KALDEWEI PERFECTION SURFACE FINISHES		PRICE	(I)	(II), (III)	(IV)	
EXTRA CHARGE FOR EASY-CLEAN FINISH	xxxxxxx3xxx		86.00	86.00		
FULL ANTI-SLIP Fired into the enamel – Slip resistant pattern over almost the entire surface			188.50	188.50		
PARTIAL ANTI-SLIP Fired into the enamel – Slip resistant pattern over part of the surface			99.00	99.00		
OPTIONAL: KALDEWEI PROFESSIONAL INFLOW/OUTFLOW TECHNOLOGY ●¹		PRICE	(I)	(II), (III)	(IV)	
COMFORT LEVEL EXTENDED, CHROME enamelled waste cover and chrome overflow knob	KA 4002 68772340999	215.50				
OPTIONAL: KALDEWEI PROFESSIONAL INSTALLATION ●¹		PRICE	(I)	(II), (III)	(IV)	
PEDESTAL ALLROUND 5030	581470000000	45.00				
OPTIONAL: KALDEWEI PROFESSIONAL DESIGNER GRIPS ●¹		PRICE	(I)	(II), (III)	(IV)	
GRIP DISCREET OPULENCE Type B (2 grips), chrome	590770000999	321.00				
OPTIONAL: KALDEWEI EXPERIENCE ●¹		PRICE	(I)	(II), (III)	(IV)	
SOUND WAVE SOUND WAVE can be used with all KALDEWEI bathtubs, except models with support and whirl systems!	6801 58457610000	651.00				
OPTIONAL: KALDEWEI PROFESSIONAL WATERPROOF ●¹		PRICE	(I)	(II), (III)	(IV)	
SEALING KIT FLEX	689720520000	48.50				
OPTIONAL: KALDEWEI SILENCE PLUS ●¹		PRICE	(I)	(II), (III)	(IV)	
BATH SOUND ABSORBING SET	687675730000	45.00				

Further accessories can be found on page 140. Available colours see page 17.

●¹= separate accessory. For more information on the 12-digit KALDEWEI Order Number see page 20.



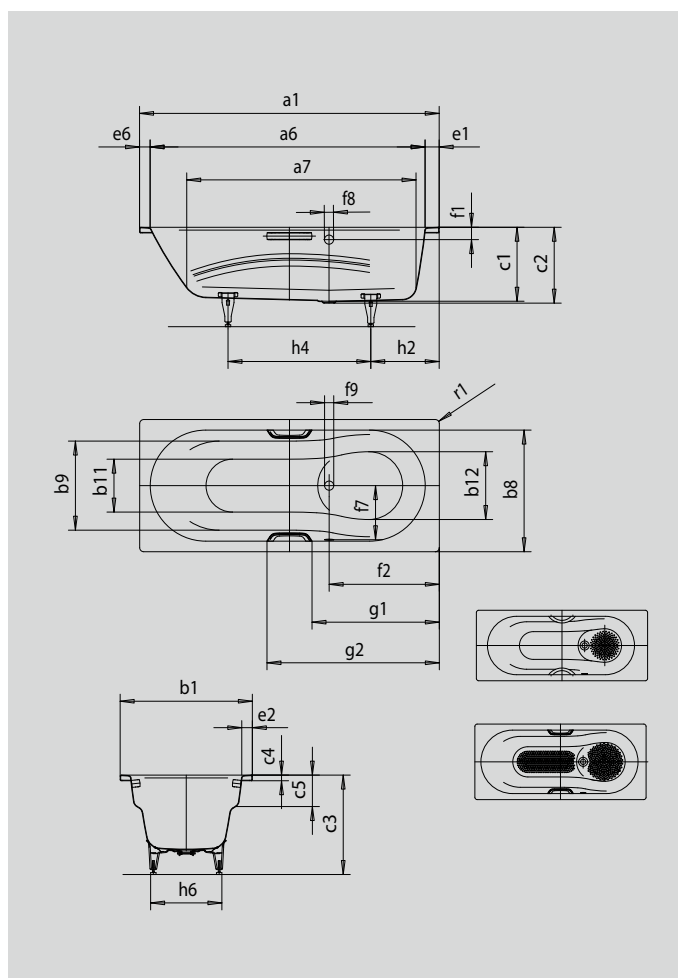
VAIO SET

VAIO SET STAR

- one-seater bath with side overflow and integrated arm rests
- combi-bath suitable for bathing and showering
- also available with grips
- made of KALDEWEI steel enamel



Similar illustration



GRIP DISCREET OPULENCE



Model		955	954	947	946
External length	a ₁	1700	1700	1800	1800 mm
Internal length (top)	a ₆	1560	1560	1560	1560 mm
Internal length (bottom)	a ₇	1300	1300	1300	1300 mm
External width	b ₁	750	750	800	800 mm
Internal width bathing area (with; without armrest)	b ₉ ; b ₉	630; 505	630; 505	630; 505	630; 505 mm
Internal width (bottom)	b ₁₁ ; b ₁₂	450; 525	450; 525	450; 525	450; 525 mm
Depth inside	c ₁	420	420	420	420 mm
Depth incl. waste hole	c ₂	430	430	430	430 mm
Height with feet	c ₃	560 - 580	560 - 580	560 - 580	560 - 580 mm
Height of rim	c ₄	32	32	32	32 mm
Armrest depth	c ₅	175	175	175	175 mm
Width of rim (foot end; long side; head end)	e ₁ ; e ₂ ; e ₆	80; 60; 60	80; 60; 60	130; 85; 110	130; 85; 110 mm
Distance top edge to centre of overflow hole	f ₁	70	70	70	70 mm
Distance bath edge to centre of waste hole	f ₂	625	625	675	675 mm
Distance centre of waste hole to centre of overflow hole	f ₇	310	310	310	310 mm
Diameter of overflow hole	f ₈	Ø 52	Ø 52	Ø 52	Ø 52 mm
Diameter of waste hole	f ₉	Ø 52	Ø 52	Ø 52	Ø 52 mm
Distance bath edge (foot end) to start of grip	g ₁	722		722	
Distance bath edge (foot end) to end of grip	g ₂	978		1028	
Distance foot end of bath edge to centre of foot	h ₂	435	435	485	485 mm
Distance between the feet	h ₄	725	725	725	725 mm
Width of feet max.	h ₆	488	488	485	485 mm
External radius	r ₁	23	23	23	23 mm
Watervolume		135	135	135	135 l
Net weight		50	50	55	55 kg
Diameter of anti-slip		Ø 288	Ø 288	Ø 288	Ø 288 mm

Subject to technical alterations, tolerances and errors. Similar illustration.
70 litres displacement on average.

KALDEWEI



	Model Order No.	Dimensions mm	Colour price groups			GBP
			Alpine White (I)	Sanitary Colours (II, III)	Coord. Colours (IV)	
VAIO SET	954 23340001xxxx	1700 x 750 x 420	818.00	1,062.00	1,062.00	
	946 23460001xxxx	1800 x 800 x 420	962.00	1,250.00	1,250.00	
VAIO SET STAR for mounting grips, grips subject to surcharge	955 23350001xxxx	1700 x 750 x 420	818.00	1,062.00	1,062.00	
	947 23470001xxxx	1800 x 800 x 420	962.00	1,250.00	1,250.00	
Design with opposite overflow available	xxxx2300xxxx		without extra charge	without extra charge	without extra charge	
model available with 2 standard tap holes (180 mm centre to centre, diameter 35mm)	xxxx2000xxxx		without extra charge	without extra charge	without extra charge	
OPTIONAL: KALDEWEI PERFECTION SURFACE FINISHES		PRICE	(I)	(II), (III)	(IV)	
EXTRA CHARGE FOR EASY-CLEAN FINISH	xxxxxxx3xxx		86.00	86.00		
FULL ANTI-SLIP Fired into the enamel – Slip resistant pattern over almost the entire surface			188.50	188.50		
PARTIAL ANTI-SLIP Fired into the enamel – Slip resistant pattern over part of the surface			99.00	99.00		
OPTIONAL: KALDEWEI PROFESSIONAL INFLOW/OUTFLOW TECHNOLOGY ●¹		PRICE	(I)	(II), (III)	(IV)	
COMFORT LEVEL EXTENDED, CHROME enamelled waste cover and chrome overflow knob	KA 4002 687772340999	215.50				
OPTIONAL: KALDEWEI PROFESSIONAL INSTALLATION ●¹		PRICE	(I)	(II), (III)	(IV)	
PEDESTAL ALLROUND 5030	581470000000	45.00				
OPTIONAL: KALDEWEI PROFESSIONAL DESIGNER GRIPS ●¹		PRICE	(I)	(II), (III)	(IV)	
GRIP DISCREET OPULENCE Type B (2 grips), chrome	590770000999	321.00				
OPTIONAL: KALDEWEI EXPERIENCE ●¹		PRICE	(I)	(II), (III)	(IV)	
SOUND WAVE SOUND WAVE can be used with all KALDEWEI bathtubs, except models with support and whirl systems!	6801 584576100000	651.00				
OPTIONAL: KALDEWEI PROFESSIONAL WATERPROOF ●¹		PRICE	(I)	(II), (III)	(IV)	
SEALING KIT FLEX	689720520000	48.50				
OPTIONAL: KALDEWEI SILENCE PLUS ●¹		PRICE	(I)	(II), (III)	(IV)	
BATH SOUND ABSORBING SET	687675730000	45.00				

Further accessories can be found on page 140. Available colours see page 17.

●¹= separate accessory. For more information on the 12-digit KALDEWEI Order Number see page 20.

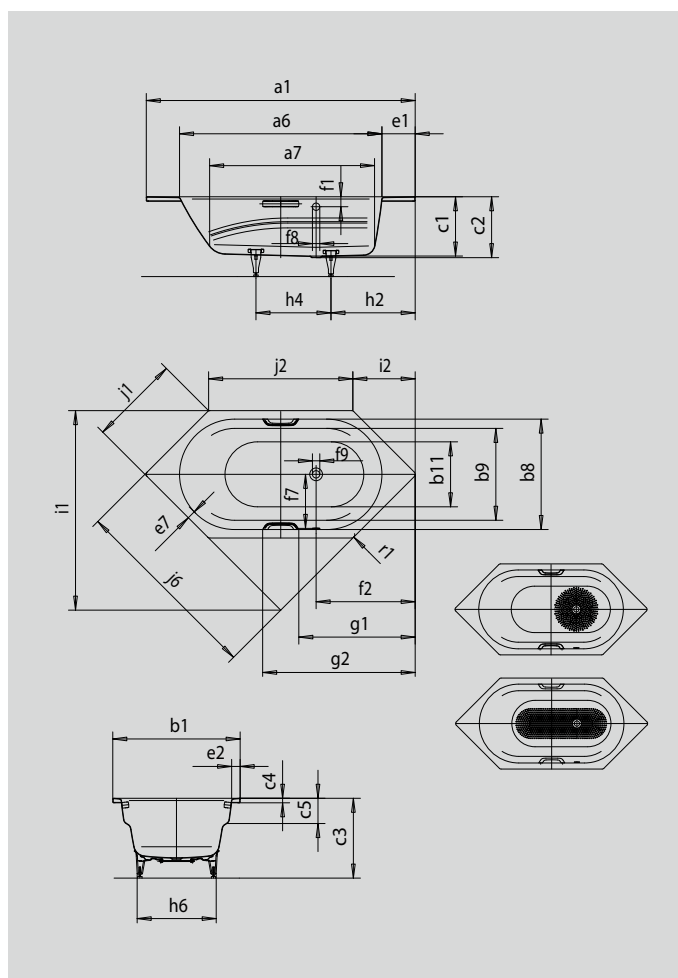


VAIO 6 VAIO 6 STAR

- one-seater bath with side overflow, generous width and integrated arm rests
- diverse installation possibilities, also corner installation
- also available with grips
- made of KALDEWEI steel enamel



Similar illustration



GRIP DISCREET OPULENCE



Model		958	959
External length	a ₁	1900	1900 mm
Internal length (top)	a ₆	1430	1430 mm
Internal length (bottom)	a ₇	1165	1165 mm
External width	b ₁	900	900 mm
Internal width (bottom)	b ₁₁	600	600 mm
Internal width bathing area (with; without armrest)	b ₃ ; b ₉	780; 650	780; 650 mm
Depth inside	c ₁	420	420 mm
Depth incl. waste hole	c ₂	430	430 mm
Height with feet	c ₃	555 - 585	555 - 585 mm
Height of rim	c ₄	32	32 mm
Armrest depth	c ₅	178	178 mm
Width of rim side	e ₁	58	58 mm
Width of rim (foot end; long side)	e ₁ ; e ₂	235; 60	235; 60 mm
Distance top edge to centre of overflow hole	f ₁	70	70 mm
Distance bath edge to centre of waste hole	f ₂	700	700 mm
Distance centre of waste hole to centre of overflow hole	f ₇	380	380 mm
Diameter of overflow hole	f ₈	Ø 52	Ø 52 mm
Diameter of waste hole	f ₉	Ø 52	Ø 52 mm
Distance bath edge (foot end) to start of grip	g ₁		770 mm
Distance bath edge (foot end) to end of grip	g ₂		1078 mm
Distance foot end of bath edge to centre of foot	h ₂	595	595 mm
Distance between the feet	h ₄	530	530 mm
Width of feet max.	h ₆	575	575 mm
Installation dimension	i ₁	1409	1409 mm
Angled edge	i ₂	440	440 mm
Side length	j ₆	1357	1357 mm
Length of sides	j ₁ ; j ₂	636; 1019	636; 1019 mm
External radius	r ₁	23	23 mm
Water volume		145	145 l
Net weight		47	47 kg
Diameter of anti-slip		Ø 435	Ø 435 mm
Full anti-slip		900 x 300	900 x 300 mm

Subject to technical alterations, tolerances and errors. Similar illustration.
70 litres displacement on average.

KALDEWEI



	Model Order No.	Dimensions mm	Colour price groups			GBP Coord. Colours (IV)
			Alpine White (I)	Sanitary Colours (II, III)		
VAIO 6	958 23380001xxxx	1900 x 900 x 420	1,580.00	2,055.00	2,055.00	
VAIO 6 STAR for mounting grips, grips subject to surcharge	959 23390001xxxx	1900 x 900 x 420	1,580.00	2,055.00	2,055.00	
Design with opposite overflow available	xxxx 2300 xxxx		without extra charge	without extra charge	without extra charge	
OPTIONAL: KALDEWEI PERFECTION SURFACE FINISHES		PRICE	(I)	(II), (III)	(IV)	
EXTRA CHARGE FOR EASY-CLEAN FINISH	xxxxxxx3xxx		86.00	86.00		
FULL ANTI-SLIP Fired into the enamel – Slip resistant pattern over almost the entire surface			188.50	188.50		
PARTIAL ANTI-SLIP Fired into the enamel – Slip resistant pattern over part of the surface			99.00	99.00		
OPTIONAL: KALDEWEI PROFESSIONAL INFLOW/OUTFLOW TECHNOLOGY ●¹		PRICE	(I)	(II), (III)	(IV)	
COMFORT LEVEL EXTENDED, CHROME enamelled waste cover and chrome overflow knob	KA 4002 687772340999	215.50				
OPTIONAL: KALDEWEI PROFESSIONAL INSTALLATION ●¹		PRICE	(I)	(II), (III)	(IV)	
SPECIAL PEDESTAL MOD.5037	58317000000	63.50				
OPTIONAL: KALDEWEI PROFESSIONAL DESIGNER GRIPS ●¹		PRICE	(I)	(II), (III)	(IV)	
GRIP DISCREET OPULENCE Type B (2 grips), chrome	590770000999	321.00				
OPTIONAL: KALDEWEI EXPERIENCE ●¹		PRICE	(I)	(II), (III)	(IV)	
SOUND WAVE SOUND WAVE can be used with all KALDEWEI bathtubs, except models with support and whirl systems!	6801 584576100000	651.00				
OPTIONAL: KALDEWEI SILENCE PLUS ●¹		PRICE	(I)	(II), (III)	(IV)	
BATH SOUND ABSORBING SET	687675730000	45.00				



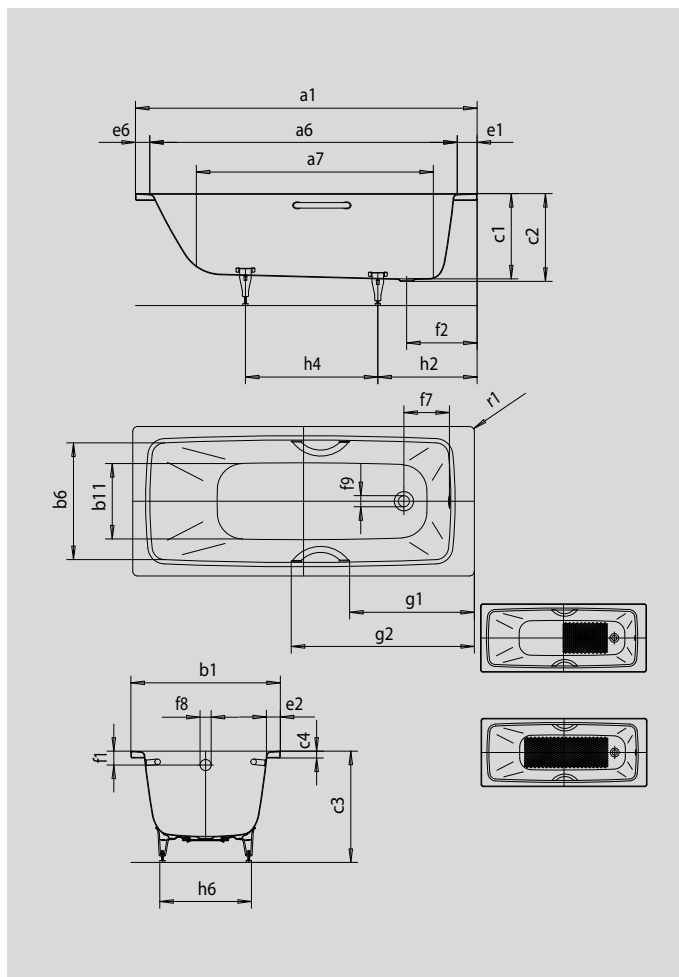
CAYONO

CAYONO STAR

- one-seater bath with waste at foot end
- independent Anti-slip design
- modern rectangular bathtub with spacious interior of the tub
- also available with grips
- made of KALDEWEI steel enamel



Similar illustration




Model		747	753	748	754	749	755
External length	a ₁	1500	1500	1600	1600	1700	1700 mm
Internal length (top)	a ₆	1310	1310	1410	1410	1510	1510 mm
Internal length (bottom)	a ₇	1010	1010	1110	1110	1210	1210 mm
External width	b ₁	700	700	700	700	700	700 mm
Internal width (top)	b ₆	570	570	570	570	570	570 mm
Internal width (bottom)	b ₁₁	400	400	400	400	400	400 mm
Depth inside	c ₁	400	400	400	400	400	400 mm
Depth incl. waste hole	c ₂	410	410	410	410	410	410 mm
Height with feet	c ₃	535 - 555	535 - 555	543 - 563	543 - 563	537 - 559	537 - 559 mm
Height of rim	c ₄	32	32	32	32	32	32 mm
Width of rim (foot end; long side; head end)	e ₁ ; e ₂ ; e ₆	110; 63; 80	110; 63; 80	110; 63; 80	110; 63; 80	110; 63; 80	110; 63; 80 mm
Distance top edge to centre of overflow hole	f ₁	65	65	65	65	65	65 mm
Distance bath edge to centre of waste hole	f ₂	330	330	330	330	330	330 mm
Distance centre of waste hole to centre of overflow hole	f ₇	213	213	213	213	213	213 mm
Diameter of overflow hole	f ₈	Ø 52	Ø 52	Ø 52	Ø 52	Ø 52	Ø 52 mm
Diameter of waste hole	f ₉	Ø 52	Ø 52	Ø 52	Ø 52	Ø 52	Ø 52 mm
Distance bath edge (foot end) to start of grip	g ₁		534		584		634 mm
Distance bath edge (foot end) to end of grip	g ₂		809		859		909 mm
Distance foot end of bath edge to centre of foot	h ₂	450	450	450	450	455	455 mm
Distance between the feet	h ₄	560	560	655	655	742	742 mm
Width of feet max.	h ₆	435	435	430	430	440	440 mm
External radius	r ₁	23	23	23	23	23	23 mm
Water volume		89	89	107	107	110	110 l
Net weight		43	43	45	45	48	48 kg
Anti-slip		455 x 315	455 x 315	455 x 315	455 x 315	455 x 315	455 x 315 mm
Full anti-slip		655 x 315	655 x 315	735 x 315	735 x 315	855 x 315	855 x 315 mm

Subject to technical alterations, tolerances and errors. Similar illustration. 70 litres displacement on average.

KALDEWEI



	Model Order No.	Dimensions mm	Colour price groups			GBP
			Alpine White (I)	Sanitary Colours (II, III)	Coord. Colours (IV)	
CAYONO	747 27470001xxxx	1500 x 700 x 400	608.00	788.00	788.00	
	748 27480001xxxx	1600 x 700 x 400	520.00	677.00	677.00	
	749 27490001xxxx	1700 x 700 x 400	544.00	706.00	706.00	
CAYONO STAR for mounting grips, grips subject to surcharge	753 27530001xxxx	1500 x 700 x 400	660.00	857.00	857.00	
	754 27540001xxxx	1600 x 700 x 400	574.00	746.00	746.00	
	755 27550001xxxx	1700 x 700 x 400	597.00	775.00	775.00	
model available with 2 standard tap holes (180 mm centre to centre, diameter 35mm)	xxxx2000xxxx		without extra charge	without extra charge	without extra charge	
OPTIONAL: KALDEWEI PERFECTION SURFACE FINISHES		PRICE	(I)	(II), (III)	(IV)	
EXTRA CHARGE FOR EASY-CLEAN FINISH	xxxxxxx3xxx		86.00	86.00		
FULL ANTI-SLIP Fired into the enamel – Slip resistant pattern over almost the entire surface			188.50	188.50		
PARTIAL ANTI-SLIP Fired into the enamel – Slip resistant pattern over part of the surface			99.00	99.00		
OPTIONAL: KALDEWEI PROFESSIONAL INFLOW/OUTFLOW TECHNOLOGY ●¹		PRICE	(I)	(II), (III)	(IV)	
COMFORT LEVEL STANDARD, CHROME	KA 4001 687772330999	183.00				
COMFORT LEVEL PLUS STANDARD, CHROME with integrated filling function. Requires a non-return valve and connection hose. These are not included.	 KA 4011 687772370999	450.00				
OPTIONAL: KALDEWEI PROFESSIONAL INSTALLATION ●¹		PRICE	(I)	(II), (III)	(IV)	
PEDESTAL ALLROUND 5030	581470000000	45.00				
OPTIONAL: KALDEWEI PROFESSIONAL DESIGNER GRIPS ●¹		PRICE	(I)	(II), (III)	(IV)	
SET UNIVERSAL GRIPS TYPE A chrome alpine white manhattan pergamon matt chrome polished brass gold	587670000999	203.50	228.50	228.50	228.50	
	587670000001					
	587670000199					
	587670000231					
	587670800996	359.00				
	587670700997	359.00				
587670200998	561.00					
OPTIONAL: KALDEWEI EXPERIENCE ●¹		PRICE	(I)	(II), (III)	(IV)	
SOUND WAVE SOUND WAVE can be used with all KALDEWEI bathtubs, except models with support and whirl systems!	6801 584576100000	651.00				
OPTIONAL: KALDEWEI PROFESSIONAL WATERPROOF ●¹		PRICE	(I)	(II), (III)	(IV)	
SEALING KIT FLEX	689720520000	48.50				
OPTIONAL: KALDEWEI SILENCE PLUS ●¹		PRICE	(I)	(II), (III)	(IV)	
BATH SOUND ABSORBING SET	687675730000	45.00				

Wellness systems can be found from page 157.



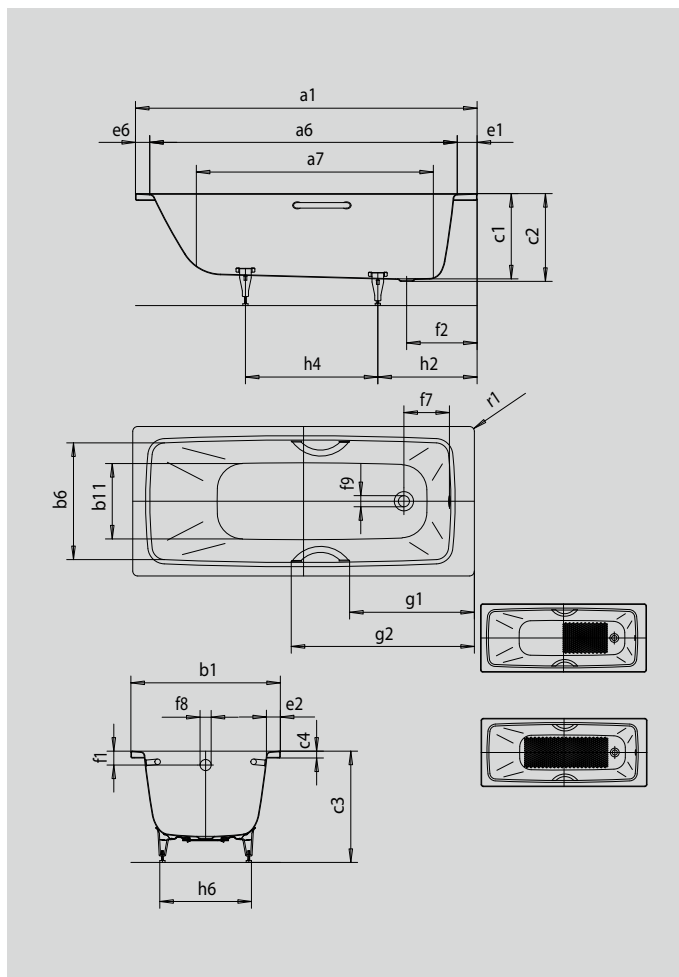
CAYONO

CAYONO STAR

- one-seater bath with waste at foot end
- independent Anti-slip design
- modern rectangular bathtub with spacious interior of the tub
- also available with grips
- made of KALDEWEI steel enamel



Similar illustration




Model		750	756	751	757
External length	a ₁	1700	1700	1800	1800 mm
Internal length (top)	a ₆	1510	1510	1610	1610 mm
Internal length (bottom)	a ₇	1210	1210	1310	1310 mm
External width	b ₁	750	750	800	800 mm
Internal width (top)	b ₆	610	610	660	660 mm
Internal width (bottom)	b ₁₁	450	450	510	510 mm
Depth inside	c ₁	400	400	400	400 mm
Depth incl. waste hole	c ₂	410	410	410	410 mm
Height with feet	c ₃	538 - 553	538 - 553	528 - 543	528 - 543 mm
Height of rim	c ₄	32	32	32	32 mm
Width of rim (foot end; long side; head end)	e ₁ ; e ₂ ; e ₆	110; 63; 80	110; 63; 80	110; 63; 80	110; 63; 80 mm
Distance top edge to centre of overflow hole	f ₁	65	65	65	65 mm
Distance bath edge to centre of waste hole	f ₂	330	330	330	330 mm
Distance centre of waste hole to centre of overflow hole	f ₇	213	213	213	213 mm
Diameter of overflow hole	f ₉	Ø 52	Ø 52	Ø 52	Ø 52 mm
Diameter of waste hole	f ₉	Ø 52	Ø 52	Ø 52	Ø 52 mm
Distance bath edge (foot end) to start of grip	g ₁		634		684 mm
Distance bath edge (foot end) to end of grip	g ₂		909		959 mm
Distance foot end of bath edge to centre of foot	h ₂	450	450	450	450 mm
Distance between the feet	h ₄	745	745	820	820 mm
Width of feet max.	h ₆	475	475	560	560 mm
External radius	r ₁	23	23	23	23 mm
Water volume		136	136	171	171 l
Net weight		52	50	57	56 kg
Pedestal		5030	5030	5037	5037
Anti-slip		575 x 375	575 x 375	575 x 375	575 x 375 mm
Full anti-slip		855 x 375	855 x 375	935 x 375	935 x 375 mm

Subject to technical alterations, tolerances and errors. Similar illustration. 70 litres displacement on average.

KALDEWEI



	Model Order No.	Dimensions mm	Colour price groups			GBP Coord. Colours (IV)
			Alpine White (I)	Sanitary Colours (II, III)		
CAYONO for Model 750 base frame Allround Mod. 5030 for Model 751 special base frame 5037	750 2750 0001 xxxx	1700 x 750 x 400	520.00	677.00	677.00	
	751 2751 0001 xxxx	1800 x 800 x 400	632.00	820.00	820.00	
CAYONO STAR for mounting grips, grips subject to surcharge for Model 756 base frame Allround Mod. 5030 for Model 757 special base frame 5037	756 2756 0001 xxxx	1700 x 750 x 400	574.00	746.00	746.00	
	757 2757 0001 xxxx	1800 x 800 x 400	684.00	887.00	887.00	
model available with 2 standard tap holes (180 mm centre to centre, diameter 35mm)	xxxx 2000 xxxx		without extra charge	without extra charge	without extra charge	
OPTIONAL: KALDEWEI PERFECTION SURFACE FINISHES		PRICE	(I)	(II), (III)	(IV)	
EXTRA CHARGE FOR EASY-CLEAN FINISH	xxxxxxx 3 xxx		86.00	86.00		
FULL ANTI-SLIP Fired into the enamel - Slip resistant pattern over almost the entire surface			188.50	188.50		
PARTIAL ANTI-SLIP Fired into the enamel - Slip resistant pattern over part of the surface			99.00	99.00		
OPTIONAL: KALDEWEI PROFESSIONAL INFLOW/OUTFLOW TECHNOLOGY ●¹		PRICE	(I)	(II), (III)	(IV)	
COMFORT LEVEL STANDARD, CHROME	KA 4001 6877 7233 0999	183.00				
COMFORT LEVEL PLUS STANDARD, CHROME with integrated filling function. Requires a non-return valve and connection hose. These are not included.	 KA 4011 6877 7237 0999	450.00				
OPTIONAL: KALDEWEI PROFESSIONAL INSTALLATION ●¹		PRICE	(I)	(II), (III)	(IV)	
PEDESTAL ALLROUND 5030	5814 7000 0000	45.00				
SPECIAL PEDESTAL MOD.5037	5831 7000 0000	63.50				
OPTIONAL: KALDEWEI PROFESSIONAL DESIGNER GRIPS ●¹		PRICE	(I)	(II), (III)	(IV)	
SET UNIVERSAL GRIPS TYPE A chrome alpine white manhattan pergamon matt chrome polished brass gold	5876 7000 0999 5876 7000 0001 5876 7000 0199 5876 7000 0231 5876 7080 0996 5876 7070 0997 5876 7020 0998	203.50 359.00 359.00 561.00	228.50	228.50 228.50		
OPTIONAL: KALDEWEI EXPERIENCE ●¹		PRICE	(I)	(II), (III)	(IV)	
SOUND WAVE SOUND WAVE can be used with all KALDEWEI bathtubs, except models with support and whirl systems!	6801 5845 7610 0000	651.00				
OPTIONAL: KALDEWEI PROFESSIONAL WATERPROOF ●¹		PRICE	(I)	(II), (III)	(IV)	
SEALING KIT FLEX	6897 2052 0000	48.50				
OPTIONAL: KALDEWEI SILENCE PLUS ●¹		PRICE	(I)	(II), (III)	(IV)	
BATH SOUND ABSORBING SET	6876 7573 0000	45.00				

Wellness systems can be found from page 157.

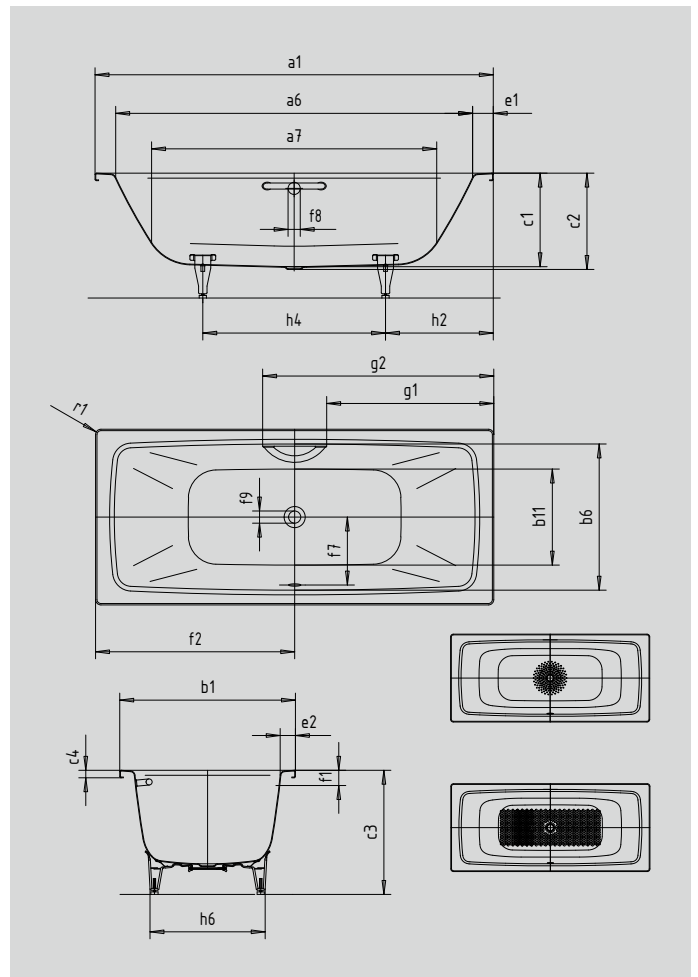


CAYONO DUO

- modern rectangular bathtub with straight lines and small radii
- perfect match for the CAYONO model range
- two gently sloping backrests and the central waste and overflow fitting ensure relaxed bathing with a partner
- spacious interior provides ample room for a relaxing bath
- made of KALDEWEI steel enamel



Similar illustration




Model		724	725
External length	a ₁	1700	1800 mm
Internal length (top)	a ₆	1540	1640 mm
Internal length (bottom)	a ₇	1220	1320 mm
External width	b ₁	750	800 mm
Internal width (top)	b ₆	624	674 mm
Internal width (bottom)	b ₁₁	410	460 mm
Depth inside	c ₁	400	400 mm
Depth incl. waste hole	c ₂	410	410 mm
Height with feet	c ₃	545 - 580	539 - 573 mm
Height of rim	c ₄	32	32 mm
Width of rim (foot end; long side)	e ₁ ; e ₂	80; 63	80; 63 mm
Distance top edge to centre of overflow hole	f ₁	70	70 mm
Distance bath edge to centre of waste hole	f ₂	850	900 mm
Distance centre of waste hole to centre of overflow hole	f ₇	305	330 mm
Diameter of overflow hole	f ₈	Ø 52	Ø 52 mm
Diameter of waste hole	f ₉	Ø 52	Ø 52 mm
Distance bath edge (foot end) to start of grip	g ₁	713	763 mm
Distance bath edge (foot end) to end of grip	g ₂	987	1037 mm
Distance foot end of bath edge to centre of foot	h ₂	513	526 mm
Distance between the feet	h ₄	675	749 mm
Width of feet max.	h ₆	475	526 mm
External radius	r ₁	23	23 mm
Water volume		130	160 l
Net weight		48	54 kg
Diameter of anti-slip		Ø 289	Ø 435 mm
Full anti-slip		855 x 315	935 x 375 mm

Subject to technical alterations, tolerances and errors. Similar illustration. 70 litres displacement on average.

KALDEWEI



	Model Order No.	Dimensions mm	Colour price groups			GBP
			Alpine White (I)	Sanitary Colours (II, III)	Coord. Colours (IV)	
CAYONO DUO	724 27240001xxxx	1700 x 750 x 400	649.00	842.00	842.00	
	725 27250001xxxx	1800 x 800 x 400	686.00	891.00	891.00	
Model with grip holes on one side available	xxxx 1011 xxxx		without extra charge	without extra charge	without extra charge	
OPTIONAL: KALDEWEI PERFECTION SURFACE FINISHES		PRICE	(I)	(II), (III)	(IV)	
EXTRA CHARGE FOR EASY-CLEAN FINISH	xxxxxxxx3xxx		86.00	86.00		
FULL ANTI-SLIP Fired into the enamel – Slip resistant pattern over almost the entire surface			188.50	188.50		
PARTIAL ANTI-SLIP Fired into the enamel – Slip resistant pattern over part of the surface			99.00	99.00		
OPTIONAL: KALDEWEI PROFESSIONAL INFLOW/OUTFLOW TECHNOLOGY ●¹		PRICE	(I)	(II), (III)	(IV)	
COMFORT LEVEL EXTENDED, CHROME enamelled waste cover and chrome overflow knob	KA 4002 68772340999	215.50				
COMFORT LEVEL PLUS EXTENDED, CHROME with integrated filling function. Requires a non-return valve and connection hose. These are not included.	 KA 4012 68772380999	509.00				
OPTIONAL: KALDEWEI PROFESSIONAL INSTALLATION ●¹		PRICE	(I)	(II), (III)	(IV)	
SPECIAL PEDESTAL MOD.5037	58317000000	63.50				
OPTIONAL: KALDEWEI PROFESSIONAL DESIGNER GRIPS ●¹		PRICE	(I)	(II), (III)	(IV)	
UNIVERSAL GRIP TYPE A CHROME	587672000999	143.00				
OPTIONAL: KALDEWEI EXPERIENCE ●¹		PRICE	(I)	(II), (III)	(IV)	
SOUND WAVE SOUND WAVE can be used with all KALDEWEI bathtubs, except models with support and whirl systems!	6801 58457610000	651.00				
OPTIONAL: KALDEWEI PROFESSIONAL WATERPROOF ●¹		PRICE	(I)	(II), (III)	(IV)	
SEALING KIT FLEX	689720520000	48.50				
OPTIONAL: KALDEWEI SILENCE PLUS ●¹		PRICE	(I)	(II), (III)	(IV)	
BATH SOUND ABSORBING SET	687675730000	45.00				

Wellness systems can be found from page 157.

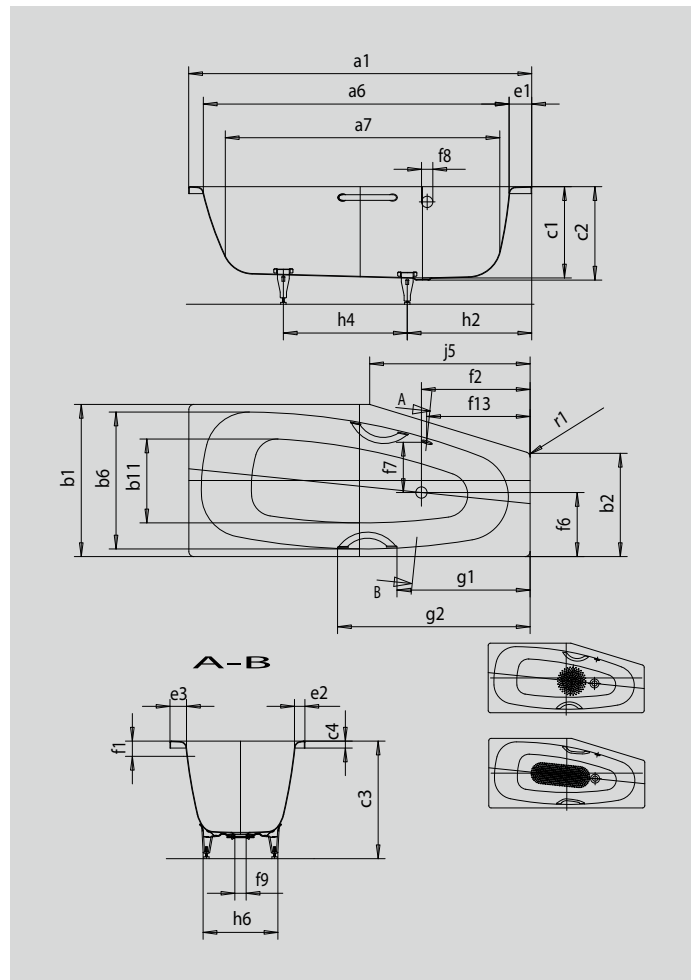


MINI LEFT MINI STAR LEFT

- one-seater bath with side overflow
- economic water consumption thanks to its tapering interior contours
- special shape is ideal for small bathrooms
- also available with grips
- made of KALDEWEI steel enamel



Similar illustration




Model		836	837	832	833
External length	a ₁	1570	1570	1570	1570 mm
Internal length (top)	a ₆	1410	1410	1410	1410 mm
Internal length (bottom)	a ₇	1250	1250	1250	1250 mm
External width	b ₁	700	700	750	750 mm
External width	b ₂	475	475	500	500 mm
Internal width (top)	b ₆	600	600	600	600 mm
Internal width (bottom)	b ₁₁	360	360	360	360 mm
Depth inside	c ₁	420	420	420	420 mm
Depth incl. waste hole	c ₂	430	430	430	430 mm
Height with feet	c ₃	550 - 570	550 - 570	550 - 570	550 - 570 mm
Height of rim	c ₄	32	32	32	32 mm
Width of rim long side	e ₃	70	70	70	70 mm
Width of rim (foot end; long side)	e ₁ ; e ₂	100; 48	100; 48	100; 60	100; 60 mm
Distance top edge to centre of overflow hole	f ₁	70	70	70	70 mm
Distance bath edge to centre of waste hole	f ₂	500	500	500	500 mm
Waste hole off-centre	f ₆	320	320	320	320 mm
Distance centre of waste hole to centre of overflow hole	f ₇	246	246	246	246 mm
Diameter of overflow hole	f ₈	Ø 52	Ø 52	Ø 52	Ø 52 mm
Diameter of waste hole	f ₉	Ø 52	Ø 52	Ø 52	Ø 52 mm
Distance bath edge to centre of overflow hole	f ₁₃	475	475	475	475 mm
Distance bath edge (foot end) to start of grip	g ₁		611		611 mm
Distance bath edge (foot end) to end of grip	g ₂		886		886 mm
Distance foot end of bath edge to centre of foot	h ₂	570	570	570	570 mm
Distance between the feet	h ₄	440	440	490	490 mm
Width of feet max.	h ₆	430	430	430	430 mm
Length of narrow side	j ₅	738	738	820	820 mm
External radius	r ₁	23	23	23	23 mm
Water volume		110	110	110	110 l
Net weight		45	45	52	52 kg
Diameter of anti-slip		Ø 288	Ø 288	Ø 288	Ø 288 mm
Full anti-slip		600 x 220	600 x 220	600 x 220	600 x 220 mm

Subject to technical alterations, tolerances and errors. Similar illustration. 70 litres displacement on average.

KALDEWEI



	Model Order No.	Dimensions mm	Colour price groups		GBP
			Alpine White (I)	Sanitary Colours (II, III)	
MINI LEFT	836 2252 0001 xxxx	1570 x 700 x 420	762.00	990.00	
	832 2248 0001 xxxx	1570 x 750 x 420	762.00	990.00	
MINI STAR LEFT for mounting grips, grips subject to surcharge	837 2253 0001 xxxx	1570 x 700 x 420	762.00	990.00	
	833 2249 0001 xxxx	1570 x 750 x 420	762.00	990.00	
model available with 2 standard tap holes (180 mm centre to centre, diameter 35mm)	xxxx 2000 xxxx		without extra charge	without extra charge	
OPTIONAL: KALDEWEI PERFECTION SURFACE FINISHES		PRICE	(I)	(II), (III)	
EXTRA CHARGE FOR EASY-CLEAN FINISH	xxxxxxx3xxx		86.00	86.00	
FULL ANTI-SLIP Fired into the enamel – Slip resistant pattern over almost the entire surface			188.50	188.50	
PARTIAL ANTI-SLIP Fired into the enamel – Slip resistant pattern over part of the surface			99.00	99.00	
OPTIONAL: KALDEWEI PROFESSIONAL INFLOW/OUTFLOW TECHNOLOGY ●¹		PRICE	(I)	(II), (III)	
COMFORT LEVEL EXTENDED, CHROME enamelled waste cover and chrome overflow knob	KA 4002 687772340999	215.50			
COMFORT LEVEL PLUS EXTENDED, CHROME with integrated filling function. Requires a non-return valve and connection hose. These are not included.	 KA 4012 687772380999	509.00			
OPTIONAL: KALDEWEI PROFESSIONAL INSTALLATION ●¹		PRICE	(I)	(II), (III)	
PEDESTAL ALLROUND 5030	581470000000	45.00			
OPTIONAL: KALDEWEI PROFESSIONAL DESIGNER KNOBS ●¹		PRICE	(I)	(II), (III)	
SET UNIVERSAL GRIPS TYPE B chrome alpine white manhattan pergamon matt chrome polished brass gold	587770000999 587770000001 587770000199 587770000231 587770800996 587770700997 587770200998	203.50 359.00 359.00 561.00	228.50	228.50	
OPTIONAL: KALDEWEI EXPERIENCE ●¹		PRICE	(I)	(II), (III)	
SOUND WAVE SOUND WAVE can be used with all KALDEWEI bathtubs, except models with support and whirl systems!	6801 584576100000	651.00			
OPTIONAL: KALDEWEI PROFESSIONAL WATERPROOF ●¹		PRICE	(I)	(II), (III)	
SEALING KIT FLEX	689720520000	48.50			
OPTIONAL: KALDEWEI SILENCE PLUS ●¹		PRICE	(I)	(II), (III)	
BATH SOUND ABSORBING SET	687675730000	45.00			

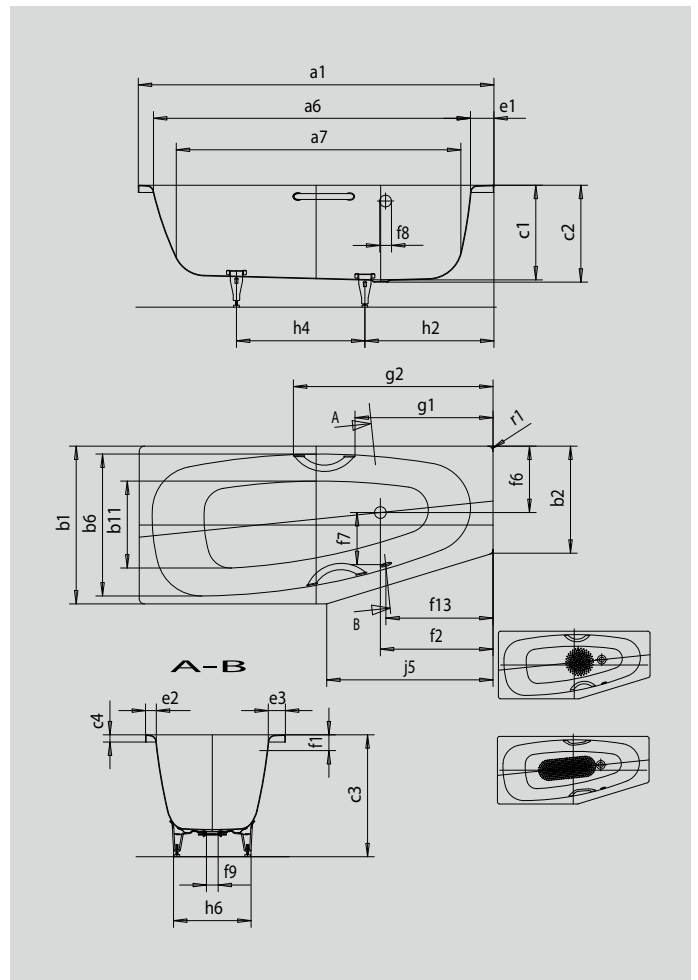


MINI RIGHT MINI STAR RIGHT

- one-seater bath with side overflow
- economic water consumption thanks to its tapering interior contours
- special shape is ideal for small bathrooms
- also available with grips
- made of KALDEWEI steel enamel



Similar illustration




Model		834	835	830	831
External length	a ₁	1570	1570	1570	1570 mm
Internal length (top)	a ₆	1410	1410	1410	1410 mm
Internal length (bottom)	a ₇	1250	1250	1250	1250 mm
External width	b ₁	700	700	750	750 mm
External width	b ₂	475	475	500	500 mm
Internal width (top)	b ₆	600	600	600	600 mm
Internal width (bottom)	b ₁₁	360	360	360	360 mm
Depth inside	c ₁	420	420	420	420 mm
Depth incl. waste hole	c ₂	430	430	430	430 mm
Height with feet	c ₃	550 - 570	550 - 570	550 - 570	550 - 570 mm
Height of rim	c ₄	32	32	32	32 mm
Width of rim long side	e ₃	70	70	70	70 mm
Width of rim (foot end; long side)	e ₁ ; e ₂	100; 48	100; 48	100; 60	100; 60 mm
Distance top edge to centre of overflow hole	f ₁	70	70	70	70 mm
Distance bath edge to centre of waste hole	f ₂	500	500	500	500 mm
Waste hole off-centre	f ₆	320	320	320	320 mm
Distance centre of waste hole to centre of overflow hole	f ₇	246	246	246	246 mm
Diameter of overflow hole	f ₈	Ø 52	Ø 52	Ø 52	Ø 52 mm
Diameter of waste hole	f ₉	Ø 52	Ø 52	Ø 52	Ø 52 mm
Distance bath edge to centre of overflow hole	f ₁₃	475	475	475	475 mm
Distance bath edge (foot end) to start of grip	g ₁		611		611 mm
Distance bath edge (foot end) to end of grip	g ₂		886		886 mm
Distance foot end of bath edge to centre of foot	h ₂	570	570	570	570 mm
Distance between the feet	h ₄	440	440	490	490 mm
Width of feet max.	h ₆	430	430	430	430 mm
Length of narrow side	j ₅	738	738	820	820 mm
External radius	r ₁	23	23	23	23 mm
Water volume		110	110	110	110 l
Net weight		45	45	52	52 kg
Diameter of anti-slip		Ø 288	Ø 288	Ø 288	Ø 288 mm
Full anti-slip		600 x 220	600 x 220	600 x 220	600 x 220 mm

Subject to technical alterations, tolerances and errors. Similar illustration. 70 litres displacement on average.

KALDEWEI



	Model Order No.	Dimensions mm	Colour price groups		GBP
			Alpine White (I)	Sanitary Colours (II, III)	
MINI RIGHT	834 2244 0001 xxxx	1570 x 700 x 420	762.00	990.00	
	830 2246 0001 xxxx	1570 x 750 x 420	762.00	990.00	
MINI STAR RIGHT for mounting grips, grips subject to surcharge	835 2245 0001 xxxx	1570 x 700 x 420	762.00	990.00	
	831 2247 0001 xxxx	1570 x 750 x 420	762.00	990.00	
model available with 2 standard tap holes (180 mm centre to centre, diameter 35mm)	xxxx 2000 xxxx		without extra charge	without extra charge	
OPTIONAL: KALDEWEI PERFECTION SURFACE FINISHES		PRICE	(I)	(II), (III)	
EXTRA CHARGE FOR EASY-CLEAN FINISH	xxxxxxx3xxx		86.00	86.00	
FULL ANTI-SLIP Fired into the enamel – Slip resistant pattern over almost the entire surface			188.50	188.50	
PARTIAL ANTI-SLIP Fired into the enamel – Slip resistant pattern over part of the surface			99.00	99.00	
OPTIONAL: KALDEWEI PROFESSIONAL INFLOW/OUTFLOW TECHNOLOGY ●¹		PRICE	(I)	(II), (III)	
COMFORT LEVEL EXTENDED, CHROME enamelled waste cover and chrome overflow knob	KA 4002 6877 7234 0999		215.50	215.50	
COMFORT LEVEL PLUS EXTENDED, CHROME with integrated filling function. Requires a non-return valve and connection hose. These are not included.	 KA 4012 6877 7238 0999		509.00	509.00	
OPTIONAL: KALDEWEI PROFESSIONAL INSTALLATION ●¹		PRICE	(I)	(II), (III)	
PEDESTAL ALLROUND 5030	5814 7000 0000	45.00			
OPTIONAL: KALDEWEI PROFESSIONAL DESIGNER KNOBS ●¹		PRICE	(I)	(II), (III)	
SET UNIVERSAL GRIPS TYPE B chrome alpine white manhattan pergamon matt chrome polished brass gold	5877 7000 0999	203.50	228.50	228.50	
	5877 7000 0001				
	5877 7000 0199				
	5877 7000 0231				
	5877 7080 0996	359.00			
	5877 7070 0997	359.00			
5877 7020 0998	561.00				
OPTIONAL: KALDEWEI EXPERIENCE ●¹		PRICE	(I)	(II), (III)	
SOUND WAVE SOUND WAVE can be used with all KALDEWEI bathtubs, except models with support and whirl systems!	6801 5845 7610 0000	651.00			
OPTIONAL: KALDEWEI PROFESSIONAL WATERPROOF ●¹		PRICE	(I)	(II), (III)	
SEALING KIT FLEX	6897 2052 0000	48.50			
OPTIONAL: KALDEWEI SILENCE PLUS ●¹		PRICE	(I)	(II), (III)	
BATH SOUND ABSORBING SET	6876 7573 0000	45.00			

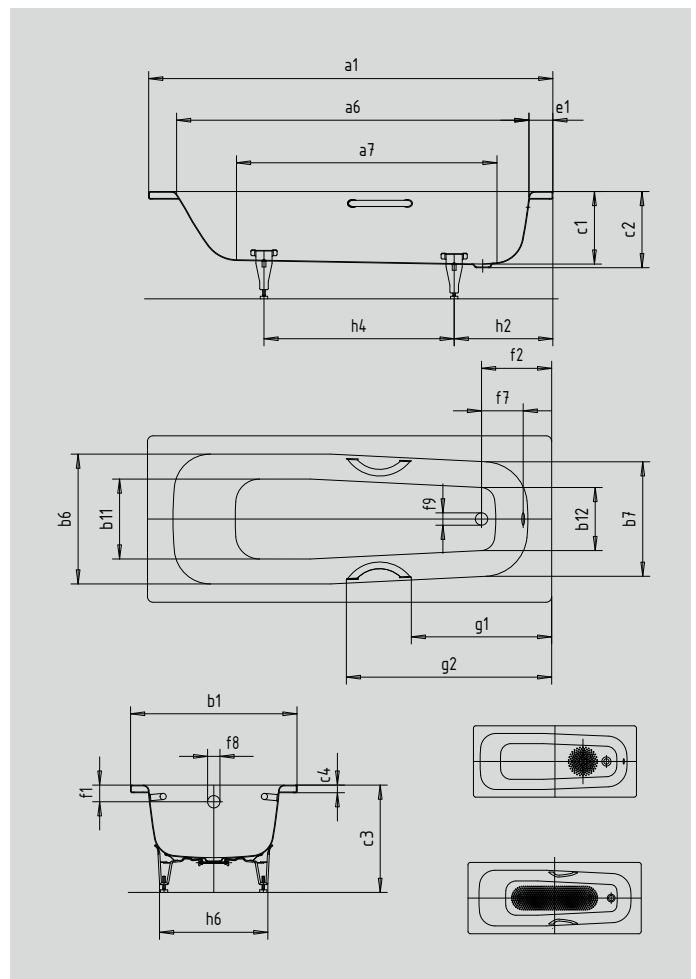


SANIFORM LOW LINE

- one-seater bath with waste at foot end
- economic water consumption thanks to its shallow depth
- classic four-cornered model
- also available with grips
- made of KALDEWEI steel enamel



Similar illustration




Model		245	246
External length	a_1	1700	1700 mm
Internal length (top)	a_6	1520	1520 mm
Internal length (bottom)	a_7	1260	1260 mm
External width	b_1	700	700 mm
Internal width (top)	$b_6; b_7$	560; 500	560; 500 mm
Internal width (bottom)	$b_{11}; b_{12}$	460; 400	460; 400 mm
Depth inside	c_1	305	305 mm
Depth incl. waste hole	c_2	315	315 mm
Height with feet	c_3	450 - 470	450 - 470 mm
Height of rim	c_4	32	32 mm
Width of rim (foot end)	e_1	95	95 mm
Distance top edge to centre of overflow hole	f_1	70	70 mm
Distance bath edge to centre of waste hole	f_2	295	295 mm
Distance centre of waste hole to centre of overflow hole	f_7	200	200 mm
Diameter of overflow hole	f_8	Ø 52	Ø 52 mm
Diameter of waste hole	f_9	Ø 52	Ø 52 mm
Distance bath edge (foot end) to start of grip	g_1		643 mm
Distance bath edge (foot end) to end of grip	g_2		909 mm
Distance foot end of bath edge to centre of foot	h_2	415	415 mm
Distance between the feet	h_4	800	800 mm
Width of feet max.	h_6	455	455 mm
External radius	r_1	23	23 mm
Water volume		53	53 l
Net weight		44	44 kg
Diameter of anti-slip		Ø 288	Ø 288 mm
Full anti-slip		850 x 240	850 x 240 mm

Subject to technical alterations, tolerances and errors. Similar illustration.
70 litres displacement on average.

KALDEWEI



	Model Order No.	Dimensions mm	Colour price groups Alpine White (I)	Sanitary Colours (II, III)	GBP
SANIFORM LOW LINE	245 2203 0001 xxxx	1700 x 700 x 305	746.00		969.00
SANIFORM LOW LINE STAR	246 2209 0001 xxxx	1700 x 700 x 305	792.00		1,029.00
model available with 2 standard tap holes (180 mm centre to centre, diameter 35mm)	xxxx 2000 xxxx		without extra charge		without extra charge
OPTIONAL: KALDEWEI PERFECTION SURFACE FINISHES		PRICE	(I)		(II), (III)
EXTRA CHARGE FOR EASY-CLEAN FINISH	xxxxxxx 3 xxx		86.00		86.00
FULL ANTI-SLIP Fired into the enamel – Slip resistant pattern over almost the entire surface			188.50		188.50
PARTIAL ANTI-SLIP Fired into the enamel – Slip resistant pattern over part of the surface			99.00		99.00
OPTIONAL: KALDEWEI PROFESSIONAL INFLOW/OUTFLOW TECHNOLOGY ●¹		PRICE	(I)		(II), (III)
COMFORT LEVEL STANDARD, CHROME	KA 4001 6877 7233 0999		183.00		
COMFORT LEVEL PLUS STANDARD, CHROME with integrated filling function. Requires a non-return valve and connection hose. These are not included.	 KA 4011 6877 7237 0999		450.00		
OPTIONAL: KALDEWEI PROFESSIONAL INSTALLATION ●¹		PRICE	(I)		(II), (III)
PEDESTAL ALLROUND 5030	5814 7000 0000		45.00		
OPTIONAL: KALDEWEI PROFESSIONAL DESIGNER GRIPS ●¹		PRICE	(I)		(II), (III)
SET UNIVERSAL GRIPS TYPE A chrome alpine white manhattan pergamon matt chrome polished brass gold	5876 7000 0999 5876 7000 0001 5876 7000 0199 5876 7000 0231 5876 7080 0996 5876 7070 0997 5876 7020 0998	203.50 359.00 359.00 561.00	228.50		228.50 228.50
OPTIONAL: KALDEWEI EXPERIENCE ●¹		PRICE	(I)		(II), (III)
SOUND WAVE SOUND WAVE can be used with all KALDEWEI bathtubs, except models with support and whirl systems!	6801 5845 7610 0000		651.00		
OPTIONAL: KALDEWEI PROFESSIONAL WATERPROOF ●¹		PRICE	(I)		(II), (III)
SEALING KIT FLEX	6897 2052 0000		48.50		
OPTIONAL: KALDEWEI SILENCE PLUS ●¹		PRICE	(I)		(II), (III)
BATH SOUND ABSORBING SET	6876 7573 0000		45.00		



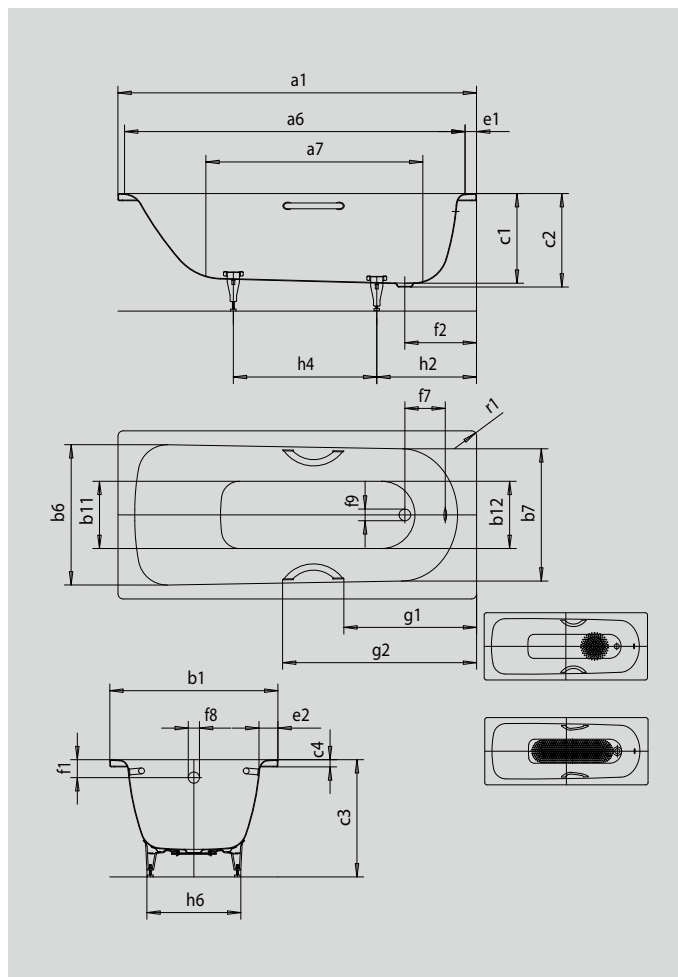
SANIFORM

SANIFORM STAR

- one-seater bath with waste at foot end
- classic four-cornered model
- also available with grips
- made of KALDEWEI steel enamel




Similar illustration



Model		374	338
External length	a ₁	1750	1750 mm
Internal length (top)	a ₆	1630	1630 mm
Internal length (bottom)	a ₇	1200	1200 mm
External width	b ₁	750	750 mm
Internal width (top)	b ₆ ; b ₇	630; 560	630; 560 mm
Internal width (bottom)	b ₁₁ ; b ₁₂	430; 380	430; 380 mm
Depth inside	c ₁	420	420 mm
Depth incl. waste hole	c ₂	430	430 mm
Height with feet	c ₃	565 - 580	565 - 580 mm
Height of rim	c ₄	32	32 mm
Width of rim (foot end; long side)	e ₁ ; e ₂	60; 55	60; 55 mm
Distance top edge to centre of overflow hole	f ₁	70	70 mm
Distance bath edge to centre of waste hole	f ₂	285	285 mm
Distance centre of waste hole to centre of overflow hole	f ₇	221	221 mm
Diameter of overflow hole	f ₈	Ø 52	Ø 52 mm
Diameter of waste hole	f ₉	Ø 52	Ø 52 mm
Distance bath edge (foot end) to start of grip	g ₁		634 mm
Distance bath edge (foot end) to end of grip	g ₂		909 mm
Distance foot end of bath edge to centre of foot	h ₂	450	450 mm
Distance between the feet	h ₄	640	640 mm
Width of feet max.	h ₆	430	430 mm
External radius	r ₁	23	23 mm
Water volume		145	145 l
Net weight		54	54 kg
Diameter of anti-slip		Ø 288	Ø 288 mm
Full anti-slip		600 x 220	600 x 220 mm

Subject to technical alterations, tolerances and errors. Similar illustration.
70 litres displacement on average.

KALDEWEI

	Model Order No.	Dimensions mm	Colour price groups Alpine White (I)	Sanitary Colours (II, III)	GBP
SANIFORM	374 11220001xxxx	1750 x 750 x 420	654.00		850.00
SANIFORM STAR for mounting grips, grips subject to surcharge	338 13380001xxxx	1750 x 750 x 420	706.00		917.00
OPTIONAL: KALDEWEI PERFECTION SURFACE FINISHES		PRICE	(I)	(II), (III)	
EXTRA CHARGE FOR EASY-CLEAN FINISH	xxxxxxx3xxx		86.00		86.00
FULL ANTI-SLIP Fired into the enamel – Slip resistant pattern over almost the entire surface			188.50		188.50
PARTIAL ANTI-SLIP Fired into the enamel – Slip resistant pattern over part of the surface			99.00		99.00
OPTIONAL: KALDEWEI PROFESSIONAL INFLOW/OUTFLOW TECHNOLOGY ●¹		PRICE	(I)	(II), (III)	
COMFORT LEVEL STANDARD, CHROME	KA 4001 687772330999		183.00		
COMFORT LEVEL PLUS STANDARD, CHROME with integrated filling function. Requires a non-return valve and connection hose. These are not included.	 KA 4011 687772370999		450.00		
OPTIONAL: KALDEWEI PROFESSIONAL INSTALLATION ●¹		PRICE	(I)	(II), (III)	
PEDESTAL ALLROUND 5030	581470000000		45.00		
OPTIONAL: KALDEWEI PROFESSIONAL DESIGNER GRIPS ●¹		PRICE	(I)	(II), (III)	
SET UNIVERSAL GRIPS TYPE A chrome alpine white manhattan pergamon matt chrome polished brass gold	587670000999 587670000001 587670000199 587670000231 587670800996 587670700997 587670200998		203.50 359.00 359.00 561.00	228.50	228.50 228.50
OPTIONAL: KALDEWEI EXPERIENCE ●¹		PRICE	(I)	(II), (III)	
SOUND WAVE SOUND WAVE can be used with all KALDEWEI bathtubs, except models with support and whirl systems!	6801 584576100000		651.00		
OPTIONAL: KALDEWEI PROFESSIONAL WATERPROOF ●¹		PRICE	(I)	(II), (III)	
SEALING KIT FLEX	689720520000		48.50		
OPTIONAL: KALDEWEI SILENCE PLUS ●¹		PRICE	(I)	(II), (III)	
BATH SOUND ABSORBING SET	687675730000		45.00		

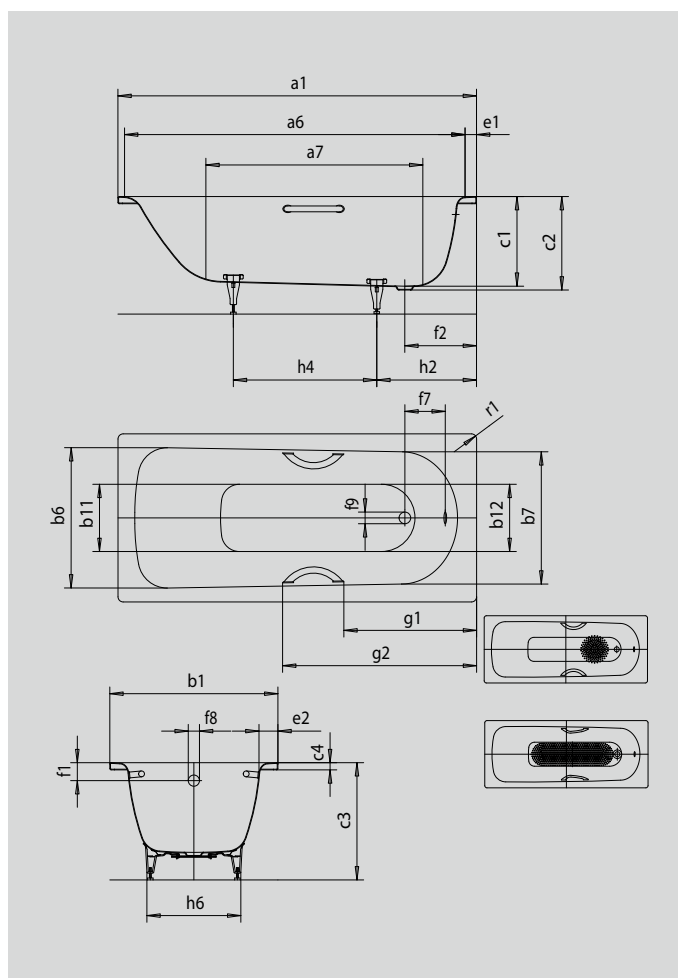
Wellness systems can be found from page 157.

SANIFORM PLUS SANIFORM PLUS STAR

- one-seater bath with waste at foot end
- classic four-cornered model
- also available with grips
- made of KALDEWEI steel enamel



Similar illustration




Model		360	330	361	331	362	332
External length	a ₁	1400	1400	1500	1500	1600	1600 mm
Internal length (top)	a ₆	1230	1230	1330	1330	1430	1430 mm
Internal length (bottom)	a ₇	850	850	950	950	1050	1050 mm
External width	b ₁	700	700	700	700	700	700 mm
Internal width (top)	b ₆ ; b ₇	550; 530	550; 530	550; 530	550; 530	550; 530	550; 530 mm
Internal width (bottom)	b ₁₁ ; b ₁₂	390; 350	390; 350	390; 350	390; 350	390; 350	390; 350 mm
Depth inside	c ₁	400	400	400	400	400	400 mm
Depth incl. waste hole	c ₂	410	410	410	410	410	410 mm
Height with feet	c ₃	545 - 560	545 - 560	545 - 560	545 - 560	545 - 560	545 - 560 mm
Height of rim	c ₄	32	32	32	32	32	32 mm
Width of rim (foot end; long side)	e ₁ ; e ₂	70; 75	70; 75	70; 75	70; 75	70; 75	70; 75 mm
Distance top edge to centre of overflow hole	f ₁	63	63	63	63	63	63 mm
Distance bath edge to centre of waste hole	f ₂	310	310	320	320	310	310 mm
Distance centre of waste hole to centre of overflow hole	f ₇	212	212	222	222	212	212 mm
Diameter of overflow hole	f ₈	Ø 52	Ø 52	Ø 52	Ø 52	Ø 52	Ø 52 mm
Diameter of waste hole	f ₉	Ø 52	Ø 52	Ø 52	Ø 52	Ø 52	Ø 52 mm
Distance bath edge (foot end) to start of grip	g ₁		484		534		584 mm
Distance bath edge (foot end) to end of grip	g ₂		759		809		859 mm
Distance foot end of bath edge to centre of foot	h ₂	455	455	445	445	450	450 mm
Distance between the feet	h ₄	445	445	555	555	600	600 mm
Width of feet max.	h ₆	380	380	380	380	380	380 mm
External radius	r ₁	23	23	23	23	23	23 mm
Water volume		67	67	82	82	93	93 l
Net weight		39	39	41	41	45	46 kg
Diameter of anti-slip		Ø 288	Ø 288	Ø 288	Ø 288	Ø 288	Ø 288 mm
Full anti-slip		600 x 220	600 x 220	600 x 220	600 x 220	600 x 220	600 x 220 mm

Subject to technical alterations, tolerances and errors. Similar illustration.
70 litres displacement on average.

KALDEWEI



	Model Order No.	Dimensions mm	Colour price groups		GBP
			Alpine White (I)	Sanitary Colours (II, III)	
SANIFORM PLUS	360-1 11150001xxxx	1400 x 700 x 400	457.00	595.00	
	361-1 11160001xxxx	1500 x 700 x 400	457.00	595.00	
	362-1 11170001xxxx	1600 x 700 x 400	373.00	486.00	
SANIFORM PLUS STAR for mounting grips, grips subject to surcharge	330 13300001xxxx	1400 x 700 x 400	496.00	643.00	
	331 13310001xxxx	1500 x 700 x 400	496.00	643.00	
	332 13320001xxxx	1600 x 700 x 400	432.00	561.00	
model available with 2 standard tap holes (180 mm centre to centre, diameter 35mm)	xxxx2000xxxx		without extra charge	without extra charge	
OPTIONAL: KALDEWEI PERFECTION SURFACE FINISHES		PRICE	(I)	(II), (III)	
EXTRA CHARGE FOR EASY-CLEAN FINISH	xxxxxxx3xxx		86.00	86.00	
FULL ANTI-SLIP Fired into the enamel – Slip resistant pattern over almost the entire surface			188.50	188.50	
PARTIAL ANTI-SLIP Fired into the enamel – Slip resistant pattern over part of the surface			99.00	99.00	
OPTIONAL: KALDEWEI PROFESSIONAL INFLOW/OUTFLOW TECHNOLOGY ●¹		PRICE	(I)	(II), (III)	
COMFORT LEVEL STANDARD, CHROME	KA 4001 687772330999	183.00			
COMFORT LEVEL PLUS STANDARD, CHROME with integrated filling function. Requires a non-return valve and connection hose. These are not included.	 KA 4011 687772370999	450.00			
OPTIONAL: KALDEWEI PROFESSIONAL INSTALLATION ●¹		PRICE	(I)	(II), (III)	
PEDESTAL ALLROUND 5030	581470000000	45.00			
OPTIONAL: KALDEWEI PROFESSIONAL DESIGNER GRIPS ●¹		PRICE	(I)	(II), (III)	
SET UNIVERSAL GRIPS TYPE A chrome alpine white manhattan pergamon matt chrome polished brass gold	587670000999	203.50	228.50	228.50	
	587670000001				
	587670000199				
	587670000231				
	587670800996	359.00			
	587670700997	359.00			
587670200998	561.00				
OPTIONAL: KALDEWEI EXPERIENCE ●¹		PRICE	(I)	(II), (III)	
SOUND WAVE SOUND WAVE can be used with all KALDEWEI bathtubs, except models with support and whirl systems!	6801 584576100000	651.00			
OPTIONAL: KALDEWEI PROFESSIONAL WATERPROOF ●¹		PRICE	(I)	(II), (III)	
SEALING KIT FLEX	689720520000	48.50			
OPTIONAL: KALDEWEI SILENCE PLUS ●¹		PRICE	(I)	(II), (III)	
BATH SOUND ABSORBING SET	687675730000	45.00			

Wellness systems can be found from page 157.

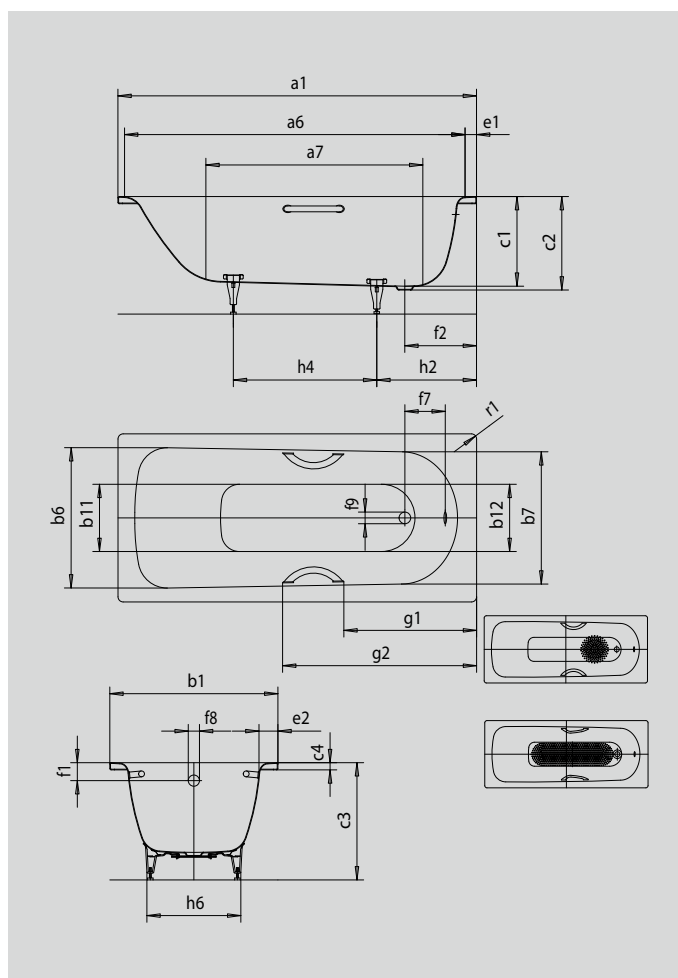


SANIFORM PLUS SANIFORM PLUS STAR

- one-seater bath with waste at foot end
- classic four-cornered model
- also available with grips
- made of KALDEWEI steel enamel



Similar illustration




Model		372	333	363	335	371	334
External length	a ₁	1600	1600	1700	1700	1700	1700 mm
Internal length (top)	a ₆	1430	1430	1530	1530	1530	1530 mm
Internal length (bottom)	a ₇	1050	1050	1150	1150	1150	1150 mm
External width	b ₁	750	750	700	700	730	730 mm
Internal width (top)	b ₆ ; b ₇	600; 580	600; 580	550; 530	550; 530	550; 530	550; 530 mm
Internal width (bottom)	b ₁₁ ; b ₁₂	440; 400	440; 400	390; 350	390; 350	390; 350	390; 350 mm
Depth inside	c ₁	400	400	400	400	400	400 mm
Depth incl. waste hole	c ₂	410	410	410	410	410	410 mm
Height with feet	c ₃	545 - 560	545 - 560	545 - 560	545 - 560	545 - 560	545 - 560 mm
Height of rim	c ₄	32	32	32	32	32	32 mm
Width of rim (foot end; long side)	e ₁ ; e ₂	70; 75	70; 75	70; 75	70; 75	85; 90	85; 90 mm
Distance top edge to centre of overflow hole	f ₁	63	63	63	63	63	63 mm
Distance bath edge to centre of waste hole	f ₂	310	310	310	310	310	310 mm
Distance centre of waste hole to centre of overflow hole	f ₇	218	218	212	212	212	212 mm
Diameter of overflow hole	f ₈	Ø 52	Ø 52	Ø 52	Ø 52	Ø 52	Ø 52 mm
Diameter of waste hole	f ₉	Ø 52	Ø 52	Ø 52	Ø 52	Ø 52	Ø 52 mm
Distance bath edge (foot end) to start of grip	g ₁		584		635		635 mm
Distance bath edge (foot end) to end of grip	g ₂		859		909		909 mm
Distance foot end of bath edge to centre of foot	h ₂	445	445	450	450	450	450 mm
Distance between the feet	h ₄	640	640	740	740	740	740 mm
Width of feet max.	h ₆	430	430	380	380	370	370 mm
External radius	r ₁	23	23	23	23	23	23 mm
Water volume		107	107	111	111	111	111 l
Net weight		46	46	47	46	46	49 kg
Diameter of anti-slip		Ø 288	Ø 288	Ø 288	Ø 288	Ø 288	Ø 288 mm
Full anti-slip		600 x 220	600 x 220	850 x 240	850 x 240	850 x 240	850 x 240 mm

Subject to technical alterations, tolerances and errors. Similar illustration.
70 litres displacement on average.

KALDEWEI



	Model Order No.	Dimensions mm	Colour price groups		GBP
			Alpine White (I)	Sanitary Colours (II, III)	
SANIFORM PLUS	372-1 11250001xxxx	1600 x 750 x 400	378.00	490.00	
	363-1 11180001xxxx	1700 x 700 x 400	388.00	505.00	
	371-1 11290001xxxx	1700 x 730 x 400	350.00	454.00	
SANIFORM PLUS STAR for mounting grips, grips subject to surcharge	333 13330001xxxx	1600 x 750 x 400	424.00	552.00	
	335 13350001xxxx	1700 x 700 x 400	435.00	567.00	
	334 13340001xxxx	1700 x 730 x 400	396.00	515.00	
model available with 2 standard tap holes (180 mm centre to centre, diameter 35mm)	xxxx2000xxxx		without extra charge	without extra charge	
OPTIONAL: KALDEWEI PERFECTION SURFACE FINISHES		PRICE	(I)	(II), (III)	
EXTRA CHARGE FOR EASY-CLEAN FINISH	xxxxxxx3xxx		86.00	86.00	
FULL ANTI-SLIP Fired into the enamel – Slip resistant pattern over almost the entire surface			188.50	188.50	
PARTIAL ANTI-SLIP Fired into the enamel – Slip resistant pattern over part of the surface			99.00	99.00	
OPTIONAL: KALDEWEI PROFESSIONAL INFLOW/OUTFLOW TECHNOLOGY ●¹		PRICE	(I)	(II), (III)	
COMFORT LEVEL STANDARD, CHROME	KA 4001 687772330999	183.00			
COMFORT LEVEL PLUS STANDARD, CHROME with integrated filling function. Requires a non-return valve and connection hose. These are not included.	 KA 4011 687772370999	450.00			
OPTIONAL: KALDEWEI PROFESSIONAL INSTALLATION ●¹		PRICE	(I)	(II), (III)	
PEDESTAL ALLROUND 5030	58147000000	45.00			
OPTIONAL: KALDEWEI PROFESSIONAL DESIGNER GRIPS ●¹		PRICE	(I)	(II), (III)	
SET UNIVERSAL GRIPS TYPE A chrome alpine white manhattan pergamon matt chrome polished brass gold	587670000999	203.50	228.50	228.50 228.50	
	587670000001				
	587670000199				
	587670000231				
	587670800996	359.00			
	587670700997	359.00			
587670200998	561.00				
OPTIONAL: KALDEWEI EXPERIENCE ●¹		PRICE	(I)	(II), (III)	
SOUND WAVE SOUND WAVE can be used with all KALDEWEI bathtubs, except models with support and whirl systems!	6801 584576100000	651.00			
OPTIONAL: KALDEWEI PROFESSIONAL WATERPROOF ●¹		PRICE	(I)	(II), (III)	
SEALING KIT FLEX	689720520000	48.50			
OPTIONAL: KALDEWEI SILENCE PLUS ●¹		PRICE	(I)	(II), (III)	
BATH SOUND ABSORBING SET	687675730000	45.00			

Wellness systems can be found from page 157.

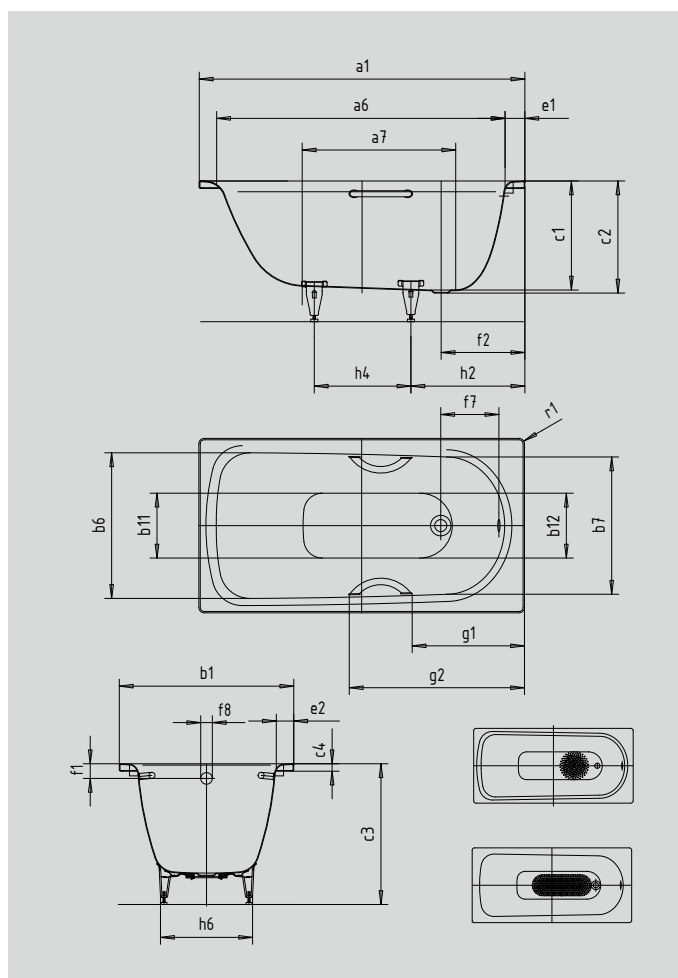


SANIFORM PLUS SANIFORM PLUS STAR

- one-seater bath with waste at foot end
- classic four-cornered model
- also available with grips
- made of KALDEWEI steel enamel



Similar illustration




Model		373	336	375	337
External length	a ₁	1700	1700	1800	1800 mm
Internal length (top)	a ₆	1530	1530	1630	1630 mm
Internal length (bottom)	a ₇	1150	1150	1250	1250 mm
External width	b ₁	750	750	800	800 mm
Internal width (top)	b ₆ ; b ₇	600; 580	600; 580	675; 640	675; 640 mm
Internal width (bottom)	b ₁₁ ; b ₁₂	440; 400	440; 400	520; 450	520; 450 mm
Depth inside	c ₁	400	400	420	420 mm
Depth incl. waste hole	c ₂	410	410	430	430 mm
Height with feet	c ₃	545 - 560	545 - 560	555 - 560	555 - 560 mm
Height of rim	c ₄	32	32	32	32 mm
Width of rim (foot end; long side)	e ₁ ; e ₂	70; 75	70; 75	70; 75	70; 75 mm
Distance top edge to centre of overflow hole	f ₁	63	63	75	75 mm
Distance bath edge to centre of waste hole	f ₂	310	310	310	310 mm
Distance centre of waste hole to centre of overflow hole	f ₇	218	218	216	216 mm
Diameter of overflow hole	f ₈	Ø 52	Ø 52	Ø 52	Ø 52 mm
Diameter of waste hole	f ₉	Ø 52	Ø 52	Ø 52	Ø 52 mm
Distance bath edge (foot end) to start of grip	g ₁		634		684 mm
Distance bath edge (foot end) to end of grip	g ₂		909		959 mm
Distance foot end of bath edge to centre of foot	h ₂	445	445	470	470 mm
Distance between the feet	h ₄	750	750	830	830 mm
Width of feet max.	h ₆	430	430	480	480 mm
External radius	r ₁	23	23	23	23 mm
Water volume		123	123	150	150 l
Net weight		49	49	55	55 kg
Diameter of anti-slip		Ø 288	Ø 288	Ø 288	Ø 288 mm
Full anti-slip		900 x 300	900 x 300	900 x 300	900 x 300 mm

Subject to technical alterations, tolerances and errors. Similar illustration.
70 litres displacement on average.

KALDEWEI



	Model Order No.	Dimensions mm	Colour price groups		GBP
			Alpine White (I)	Sanitary Colours (II, III)	
SANIFORM PLUS	373-1 11260001xxxx	1700 x 750 x 400	373.00	486.00	
	375-1 11280001xxxx	1800 x 800 x 420	584.00	759.00	
SANIFORM PLUS STAR for mounting grips, grips subject to surcharge	336 13360001xxxx	1700 x 750 x 400	432.00	561.00	
	337 13370001xxxx	1800 x 800 x 420	634.00	822.00	
model available with 2 standard tap holes (180 mm centre to centre, diameter 35mm)	xxxx2000xxxx		without extra charge	without extra charge	
OPTIONAL: KALDEWEI PERFECTION SURFACE FINISHES		PRICE	(I)	(II), (III)	
EXTRA CHARGE FOR EASY-CLEAN FINISH	xxxxxxx3xxx		86.00	86.00	
FULL ANTI-SLIP Fired into the enamel – Slip resistant pattern over almost the entire surface			188.50	188.50	
PARTIAL ANTI-SLIP Fired into the enamel – Slip resistant pattern over part of the surface			99.00	99.00	
OPTIONAL: KALDEWEI PROFESSIONAL INFLOW/OUTFLOW TECHNOLOGY ●¹		PRICE	(I)	(II), (III)	
COMFORT LEVEL STANDARD, CHROME	KA 4001 687772330999	183.00			
COMFORT LEVEL PLUS STANDARD, CHROME with integrated filling function. Requires a non-return valve and connection hose. These are not included.	 KA 4011 687772370999	450.00			
OPTIONAL: KALDEWEI PROFESSIONAL INSTALLATION ●¹		PRICE	(I)	(II), (III)	
PEDESTAL ALLROUND 5030	581470000000	45.00			
OPTIONAL: KALDEWEI PROFESSIONAL DESIGNER GRIPS ●¹		PRICE	(I)	(II), (III)	
SET UNIVERSAL GRIPS TYPE A chrome alpine white manhattan pergamon matt chrome polished brass gold	587670000999	203.50	228.50	228.50	
	587670000001				
	587670000199				
	587670000231				
	587670800996	359.00			
	587670700997	359.00			
587670200998	561.00				
OPTIONAL: KALDEWEI EXPERIENCE ●¹		PRICE	(I)	(II), (III)	
SOUND WAVE SOUND WAVE can be used with all KALDEWEI bathtubs, except models with support and whirl systems!	6801 584576100000	651.00			
OPTIONAL: KALDEWEI PROFESSIONAL WATERPROOF ●¹		PRICE	(I)	(II), (III)	
SEALING KIT FLEX	689720520000	48.50			
OPTIONAL: KALDEWEI SILENCE PLUS ●¹		PRICE	(I)	(II), (III)	
BATH SOUND ABSORBING SET	687675730000	45.00			

Wellness systems can be found from page 157.

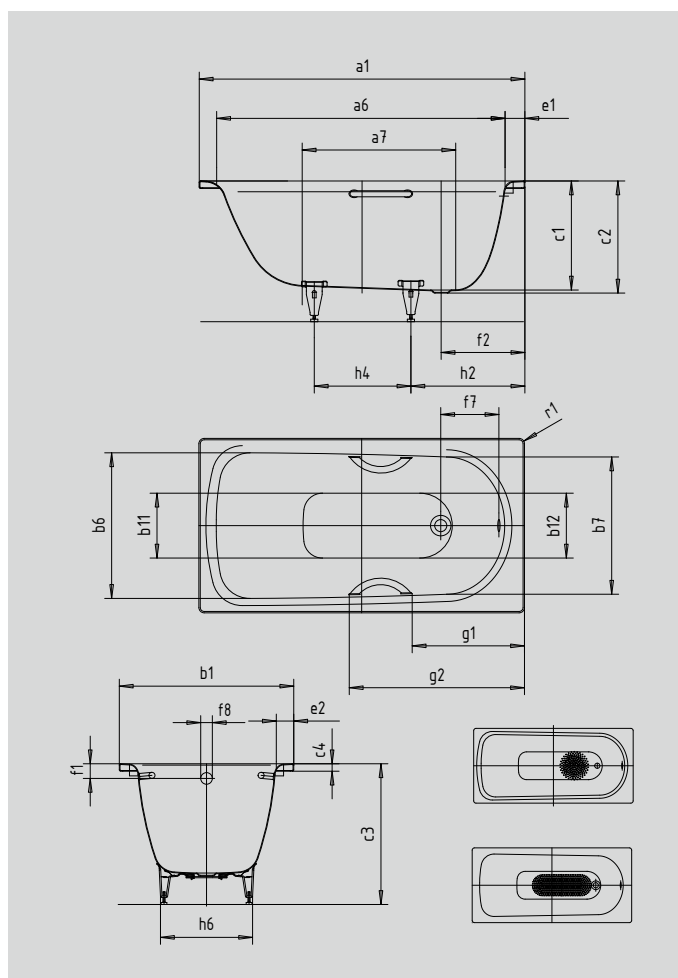


SANIFORM PLUS SANIFORM PLUS STAR

- one-seater bath with waste at foot end
- classic four-cornered model
- also available with grips
- made of KALDEWEI steel enamel



Similar illustration




Model		366	344	367	345
External length	a ₁	1400	1400	1600	1600 mm
Internal length (top)	a ₆	1240	1240	1440	1440 mm
Internal length (bottom)	a ₇	645	645	844	844 mm
External width	b ₁	750	750	750	750 mm
Internal width (top)	b ₆ ; b ₇	620; 590	620; 590	620; 590	620; 590 mm
Internal width (bottom)	b ₁₁ ; b ₁₂	280; 280	280; 280	280; 280	280; 280 mm
Depth inside	c ₁	470	470	470	470 mm
Depth incl. waste hole	c ₂	480	480	480	480 mm
Height with feet	c ₃	615 - 635	615 - 635	625 - 635	625 - 635 mm
Height of rim	c ₄	32	32	32	32 mm
Width of rim (foot end; long side)	e ₁ ; e ₂	80; 85	80; 85	80; 85	80; 85 mm
Distance top edge to centre of overflow hole	f ₁	65	65	65	65 mm
Distance bath edge to centre of waste hole	f ₂	360	360	360	360 mm
Distance centre of waste hole to centre of overflow hole	f ₇	268	268	267	267 mm
Diameter of overflow hole	f ₈	Ø 52	Ø 52	Ø 52	Ø 52 mm
Diameter of waste hole	f ₉	Ø 52	Ø 52	Ø 52	Ø 52 mm
Distance bath edge (foot end) to start of grip	g ₁		484		584 mm
Distance bath edge (foot end) to end of grip	g ₂		759		859 mm
Distance foot end of bath edge to centre of foot	h ₂	470	470	480	480 mm
Distance between the feet	h ₄	415	415	605	605 mm
Width of feet max.	h ₆	430	430	430	430 mm
External radius	r ₁	23	23	23	23 mm
Water volume		110	110	140	140 l
Net weight		41	41	49	49 kg
Diameter of anti-slip		Ø 288	Ø 288	Ø 288	Ø 288 mm
Full anti-slip		600 x 220	600 x 220	600 x 220	600 x 220 mm

Subject to technical alterations, tolerances and errors. Similar illustration.
70 litres displacement on average.

KALDEWEI



	Model Order No.	Dimensions mm	Colour price groups		GBP
			Alpine White (I)	Sanitary Colours (II, III)	
SANIFORM PLUS	366 11370001xxxx	1400 x 750 x 470	785.00	1,019.00	
	367 11380001xxxx	1600 x 750 x 470	738.00	960.00	
SANIFORM PLUS STAR for mounting grips, grips subject to surcharge	344 13440001xxxx	1400 x 750 x 470	835.00	1,085.00	
	345 13450001xxxx	1600 x 750 x 470	788.00	1,025.00	
model available with 2 standard tap holes (180 mm centre to centre, diameter 35mm)	xxxx2000xxxx		without extra charge	without extra charge	
OPTIONAL: KALDEWEI PERFECTION SURFACE FINISHES		PRICE	(I)	(II), (III)	
EXTRA CHARGE FOR EASY-CLEAN FINISH	xxxxxxx3xxx		86.00	86.00	
FULL ANTI-SLIP Fired into the enamel – Slip resistant pattern over almost the entire surface			188.50	188.50	
PARTIAL ANTI-SLIP Fired into the enamel – Slip resistant pattern over part of the surface			99.00	99.00	
OPTIONAL: KALDEWEI PROFESSIONAL INFLOW/OUTFLOW TECHNOLOGY ●¹		PRICE	(I)	(II), (III)	
COMFORT LEVEL STANDARD, CHROME	KA 4001 687772330999	183.00			
COMFORT LEVEL PLUS STANDARD, CHROME with integrated filling function. Requires a non-return valve and connection hose. These are not included.	 KA 4011 687772370999	450.00			
OPTIONAL: KALDEWEI PROFESSIONAL INSTALLATION ●¹		PRICE	(I)	(II), (III)	
PEDESTAL ALLROUND 5030	581470000000	45.00			
OPTIONAL: KALDEWEI PROFESSIONAL DESIGNER GRIPS ●¹		PRICE	(I)	(II), (III)	
SET UNIVERSAL GRIPS TYPE A chrome alpine white manhattan pergamon matt chrome polished brass gold	587670000999	203.50	228.50	228.50	
	587670000001				
	587670000199				
	587670000231			228.50	
	587670800996	359.00			
	587670700997	359.00			
	587670200998	561.00			
OPTIONAL: KALDEWEI EXPERIENCE ●¹		PRICE	(I)	(II), (III)	
SOUND WAVE SOUND WAVE can be used with all KALDEWEI bathtubs, except models with support and whirl systems!	6801 584576100000	651.00			
OPTIONAL: KALDEWEI PROFESSIONAL WATERPROOF ●¹		PRICE	(I)	(II), (III)	
SEALING KIT FLEX	689720520000	48.50			
OPTIONAL: KALDEWEI SILENCE PLUS ●¹		PRICE	(I)	(II), (III)	
BATH SOUND ABSORBING SET	687675730000	45.00			

Wellness systems can be found from page 157.



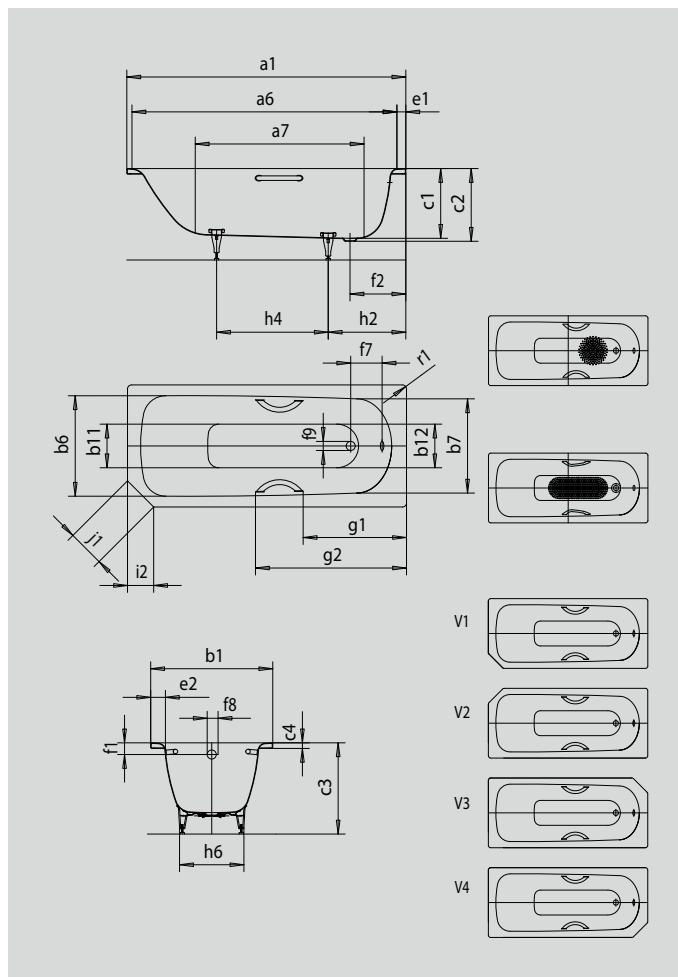
SANIFORM V1-V4

SANIFORM V1-V4 STAR

- one-seater bath with waste at foot end
- classic four-cornered model
- also available with grips
- made of KALDEWEI steel enamel
- with cut corner for optimal use of space



Similar illustration




Model		362	332 V1	332 V2	332 V3	332 V4
External length	a ₁	1600	1600	1600	1600	1600 mm
Internal length (top)	a ₆	1430	1430	1430	1430	1430 mm
Internal length (bottom)	a ₇	1050	1050	1050	1050	1050 mm
External width	b ₁	700	700	700	700	700 mm
Internal width (top)	b ₆ ; b ₇	550; 530	550; 530	550; 530	550; 530	550; 530 mm
Internal width (bottom)	b ₁₁ ; b ₁₂	390; 350	390; 350	390; 350	390; 350	390; 350 mm
Depth inside	c ₁	400	400	400	400	400 mm
Depth incl. waste hole	c ₂	410	410	410	410	410 mm
Height with feet	c ₃	545 - 560	545 - 560	545 - 560	545 - 560	545 - 560 mm
Height of rim	c ₄	32	32	32	32	32 mm
Width of rim (foot end; long side)	e ₁ ; e ₂	70; 75	70; 75	70; 75	70; 75	70; 75 mm
Distance top edge to centre of overflow hole	f ₁	63	63	63	63	63 mm
Distance bath edge to centre of waste hole	f ₂	310	310	310	310	310 mm
Distance centre of waste hole to centre of overflow hole	f ₇	212	212	212	212	212 mm
Diameter of overflow hole	f ₈	Ø 52	Ø 52	Ø 52	Ø 52	Ø 52 mm
Diameter of waste hole	f ₉	Ø 52	Ø 52	Ø 52	Ø 52	Ø 52 mm
Distance bath edge (foot end) to start of grip	g ₁		584	584	584	584 mm
Distance bath edge (foot end) to end of grip	g ₂		859	859	859	859 mm
Distance foot end of bath edge to centre of foot	h ₂	453	453	453	453	453 mm
Distance between the feet	h ₄	600	600	600	600	600 mm
Width of feet max.	h ₆	380	380	380	380	380 mm
Angled edge	i ₂	150	150	150	150	150 mm
Length of sides	j ₁	212	212	212	212	212 mm
External radius	r ₁	23	23	23	23	23 mm
Water volume		93	93	93	93	93 l
Net weight		46	46	46	46	46 kg
Diameter of anti-slip		Ø 288	Ø 288	Ø 288	Ø 288	Ø 288 mm
Full anti-slip		600 x 220	600 x 220	600 x 220	600 x 220	600 x 220 mm

Subject to technical alterations, tolerances and errors. Similar illustration. 70 litres displacement on average.

KALDEWEI



	Model Order No.	Dimensions mm	Colour price groups		GBP
			Alpine White (I)	Sanitary Colours (II, III)	
SANIFORM V1-V4	362-1 V1 19210001xxxx	1600 x 700 x 400	520.00	677.00	
	362-1 V2 19220001xxxx	1600 x 700 x 400	520.00	677.00	
	362-1 V3 19230001xxxx	1600 x 700 x 400	520.00	677.00	
	362-1 V4 19240001xxxx	1600 x 700 x 400	520.00	677.00	
SANIFORM V1-V4 STAR for mounting grips, grips subject to surcharge	332 V1 13400001xxxx	1600 x 700 x 400	571.00	742.00	
	332 V2 13410001xxxx	1600 x 700 x 400	571.00	742.00	
	332 V3 13420001xxxx	1600 x 700 x 400	571.00	742.00	
	332 V4 13430001xxxx	1600 x 700 x 400	571.00	742.00	
model available with 2 standard tap holes (180 mm centre to centre, diameter 35mm)	xxxx2000xxxx		without extra charge	without extra charge	
OPTIONAL: KALDEWEI PERFECTION SURFACE FINISHES		PRICE	(I)	(II), (III)	
EXTRA CHARGE FOR EASY-CLEAN FINISH	xxxxxxx3xxx		86.00	86.00	
FULL ANTI-SLIP Fired into the enamel – Slip resistant pattern over almost the entire surface			188.50	188.50	
PARTIAL ANTI-SLIP Fired into the enamel – Slip resistant pattern over part of the surface			99.00	99.00	
OPTIONAL: KALDEWEI PROFESSIONAL INFLOW/OUTFLOW TECHNOLOGY ●¹		PRICE	(I)	(II), (III)	
COMFORT LEVEL STANDARD, CHROME	KA 4001 687772330999	183.00			
COMFORT LEVEL PLUS STANDARD, CHROME with integrated filling function. Requires a non-return valve and connection hose. These are not included.	 KA 4011 687772370999	450.00			
OPTIONAL: KALDEWEI PROFESSIONAL INSTALLATION ●¹		PRICE	(I)	(II), (III)	
PEDESTAL ALLROUND 5030	581470000000	45.00			
OPTIONAL: KALDEWEI PROFESSIONAL DESIGNER GRIPS ●¹		PRICE	(I)	(II), (III)	
SET UNIVERSAL GRIPS TYPE A chrome alpine white manhattan pergamon matt chrome polished brass gold	587670000999 587670000001 587670000199 587670000231 587670800996 587670700997 587670200998	203.50 359.00 359.00 561.00	228.50	228.50 228.50	
OPTIONAL: KALDEWEI EXPERIENCE ●¹		PRICE	(I)	(II), (III)	
SOUND WAVE SOUND WAVE can be used with all KALDEWEI bathtubs, except models with support and whirl systems!	6801 584576100000	651.00			
OPTIONAL: KALDEWEI PROFESSIONAL WATERPROOF ●¹		PRICE	(I)	(II), (III)	
SEALING KIT FLEX	689720520000	48.50			
OPTIONAL: KALDEWEI SILENCE PLUS ●¹		PRICE	(I)	(II), (III)	
BATH SOUND ABSORBING SET	687675730000	45.00			

Wellness systems can be found from page 157.



INFLOW/OUTFLOW TECHNOLOGY

WATERFALL BATH INLET

- a special bathing experience thanks to unique water inlet
- undisturbed bathing enjoyment thanks to completely integrated solution
- opens when the water is turned on and creates a steady waterfall effect
- fulfils the highest design standards
- Inlet fitting not included.
Inlet with 1/2" pipe connection.

CAUTION! Special bath drilling required. For mounting of waterfall bath inlet, a special bath hole is to be provided, which is included into the accessory price. The waterfall bath inlet is to be ordered with the corresponding bath in one step.

Please notice the positioning of the waterfall inlet. Further information can be found on our website www.kaldewei.com



Model	Model no.
ASYMMETRIC DUO	740, 742, 744
CENTRO DUO OVAL	127, 128
CENTRO DUO 2	131, 135
CENTRO DUO 1 right/left	130/129, 137/136
CENTRO DUO	132, 133
CLASSIC DUO OVAL	111, 111-7, 112, 113, 113-7, 116
CLASSIC DUO	103, 105, 107, 109, 110, 114
CONODUO	732, 733, 733-7, 734, 734-7, 735, 735-7
PLAZA DUO right/PLAZA DUO left	190, 192
PURO	652, 653, 683, 687, 691, 696
PURO STAR	654, 655, 685, 689, 693, 698
PURO with side overflow	656, 657, 684, 688, 692, 697
PURO STAR with side overflow	658, 659, 686, 690, 694, 699
PURO DUO	663, 664, 665

The waterfall bath inlet can be combined with all whirlpool systems if they are supplied in combination with the above-named models. The waterfall bath inlet serves only to fill the bath with water. A waste and overflow set is also required.

Waterfall bath inlet incl. indentation and special hole*	Model Order No.	GBP
alpine white	5875 5875 7090 0001	• 472.00
pergamon	5875 5875 7090 0231	• 472.00
manhattan	5875 5875 7090 0199	• 472.00

* For waterfall bath inlet with integrated overflow, a non-return valve is required. This is not included into the scope of delivery.

INFLOW/OUTFLOW TECHNOLOGY

WATERFALL BATH INLET WITH INTEGRATED OVERFLOW

- a special bathing experience thanks to unique water inlet
- undisturbed bathing enjoyment thanks to completely integrated solution
- opens when the water is turned on and creates a steady waterfall effect
- overflow is almost “invisible”
- fulfils the highest design standards
- Inlet fitting not included.
Inlet with 1/2” pipe connection.
- bath waste with click-clack system (push-up valve plug)
- open and close by simply pressing on the valve plug
- Min. drainage capacity of 0.8 l/s acc. to DIN EN 274

CAUTION! Special bath drilling required. For mounting of waterfall bath inlet with integrated overflow, a special bath hole it to be provided, which is already included into the accessory price. Waterfall bath inlet with integrated overflow has to be ordered with the corresponding bath in one step.

Please notice the positioning of the waterfall inlet. Further information can be found on our website www.kaldewei.com



Model	Model no.
CLASSIC DUO	103, 105, 107, 109, 110, 114
CLASSIC DUO OVAL	111, 111-7, 112, 113, 113-7, 116
PLAZA DUO left	192
PLAZA DUO right	190
PURO with side overflow	656, 657, 684, 688, 692, 697
PURO STAR with side overflow	658, 659, 686, 690, 694, 699
PURO DUO	663, 664, 665

No combination option with whirl systems.

Waterfall bath inlet with integrated overflow and click-clack waste* incl. intake and special holes	Model Order No.	GBP
alpine white	5975 5875 7092 0001	• 556.00
pergamon	5975 5875 7092 0231	• 556.00
manhattan	5975 5875 7092 0199	• 556.00

* For waterfall bath inlet with integrated overflow, a non-return valve is required. This is not included into the scope of delivery.

INFLOW/OUTFLOW TECHNOLOGY

COMFORT LEVEL / COMFORT LEVEL PLUS



- modern design of understated elegance with an extra flat overflow knob and reduced radii
- visible parts in chrome
- unique regulation of the maximum water level using a separate lever, which allows the water depth to be increased continuously by up to 50 mm for even more comfortable bathing
- COMFORT LEVEL PLUS: with practical filling function, invisibly integrated in the overflow
- Fill fitting connection 1/2" for KA4011 and 4012
- connection fitting is not included



COMFORT-LEVEL
Similar illustration



COMFORT-LEVEL PLUS
Similar illustration

COMFORT-LEVEL waste and overflow fitting	Model Order No.	chrome	GBP
Standard	KA 4001 687772330999		• 183.00
extended	KA 4002 687772340999		• 215.50
COMFORT-LEVEL PLUS waste and overflow fitting with integrated filler	Model Order No.	chrome	GBP
Standard*	 KA 4011 687772370999		• 450.00
extended**	 KA 4012 687772380999		• 509.00

*The COMFORT-LEVEL PLUS requires a non return valve. This is not included.

Designs KA 4001 and KA 4011 (standard) can be used with CAYONO/CAYONO STAR, DYNA SET/DYNA SET STAR, PURO/PURO STAR, SANIFORM range (except models 366/344, 367/345).

Designs KA 4002 and KA 4012 (extended) can be used with MEISTERSTÜCK CLASSIC DUO OVAL, CAYONO DUO, CLASSIC DUO, MINI/MINI STAR, PLAZA DUO, PURO with side overflow/PURO STAR with side overflow, PURO DUO, PURO SET WIDE, SANIFORM PLUS (models 366/344, 367/345), SILENIO, VAIO range**.

** Design KA 4012 cannot be used with the VAIO range.

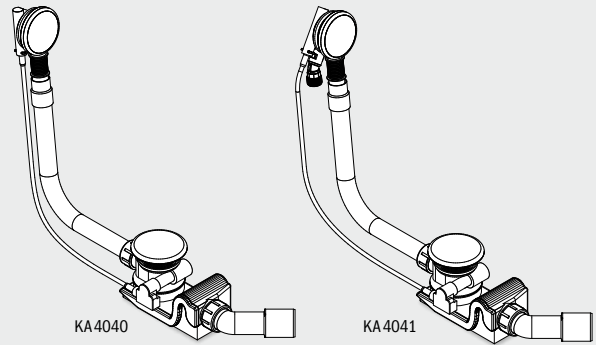
INFLOW/OUTFLOW TECHNOLOGY

SPECIAL WASTE AND OVERFLOW FITTING

- high-quality fitting with enamelled waste cover and enamelled overflow knob
- integrates harmoniously and elegantly in the bath
- overflow in minimalist design – now even flatter
- also available with integrated filling function
- drainage capacity conforms to DIN EN 274 minimum of 0.8 l/s
- connection hose is not included

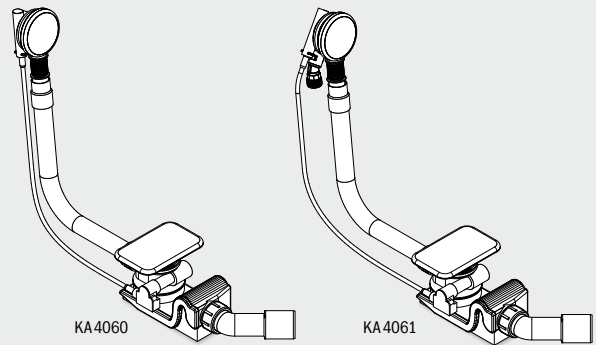


Example illustration of model KA 4040



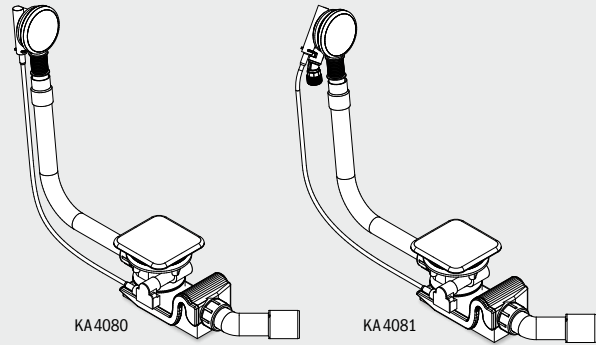
KA 4040

KA 4041






KA 4060

KA 4061



KA 4080

KA 4081

Special waste and overflow fitting	Model Order No.	Colour price groups			GBP
		alpine white (I)	Sanitary Colours (II, III)	Coord. Colours (IV)	
with enamelled waste cover and enamelled overflow knob suitable for CONODUO and INCAVA	KA 4080 68777200xxxx	• 245.00	• 318.00	• 318.00	
with integrated filling function with enamelled waste cover and enamelled overflow knob, suitable for CONODUO and INCAVA. 	KA 4081 68777202xxxx	• 530.00	• 688.00	• 688.00	
Special waste and overflow fitting	Model Order No.	Colour price groups			GBP
		alpine white (I)	Sanitary Colours (II, III)	Coord. Colours (IV)	
with enamelled waste cover and enamelled overflow knob suitable for ASYMMETRIC DUO	KA 4060 68777204xxxx	• 245.00	• 318.00	• 318.00	
with integrated filling function with enamelled waste cover and enamelled overflow knob, suitable for ASYMMETRIC DUO. 	KA 4061 68777206xxxx	• 530.00	• 688.00	• 688.00	
Special waste and overflow fitting	Model Order No.	Colour price groups			GBP
		alpine white (I)	Sanitary Colours (II, III)	Coord. Colours (IV)	
with enamelled waste cover and enamelled overflow knob suitable for CENTRO DUO and ELLIPSO DUO	KA 4040 68777208xxxx	• 245.00	• 318.00	• 318.00	
with integrated filling function with enamelled waste cover and enamelled overflow knob, suitable for CENTRO DUO and ELLIPSO DUO. 	KA 4041 68777210xxxx	• 530.00	• 688.00	• 688.00	

BATHTUB ACCESSORIES

SELECTION TABLE FOR WASTE AND OVERFLOW FITTINGS: BATHS

Model	Model No.	Comfort Level		Comfort Level Plus		Special fitting			Special fitting with integrated overflow			Waterfall bath inlet
		COMFORT LEVEL KA 4001	COMFORT LEVEL KA 4002	COMFORT LEVEL KA 4011	COMFORT LEVEL KA 4012	Spezial KA 4040	Spezial KA 4060	Spezial KA 4080	Spezial KA 4041	Spezial KA 4061	Spezial KA 4081	Waterfall bath inlet with integrated overflow 5975
KALDEWEI												
MEISTERSTÜCKE (fitting pre-assembled at the factory)												
MST CENTRO DUO 1 left	1129/1136					○			○			
MST CENTRO DUO 1 right	1130/1137					○			○			
MST CENTRO DUO 2	1131/1135					○			○			
MST CENTRO DUO OVAL	1127/1128					○			○			
MST CLASSIC DUO OVAL (optional; not pre-assembled during manufacturing)	1111/1113		○		○							
MST CONODUO 1 left	1702/1703							○			○	
MST CONODUO 1 right	1712/1713							○			○	
MST CONODUO 2	1722/1723							○			○	
MST CONODUO	1732/1733							○			○	
MST INCAVA	1174							○			○	
AVANTGARDE												
ASYMMETRIC DUO	740/742/744							●			●	
CENTRO DUO	127/128/129/130/131/132/133/135/136/137						●			●		
CONODUO	732/733/734/735								●		●	
CONODUO freestanding	734-7/735-7								●		●	
ELLIPSO DUO	230/232						●			●		
ELLIPSO DUO freestanding	232-7						●			●		
PLAZA DUO	190/192		●		●							●
AMBIENTE												
CLASSIC DUO/ CLASSIC DUO OVAL	103/105/107/109/110/114/ 111/112/113/116		●		●							●
CLASSIC DUO OVAL freestanding	111-7/113-7		●		●							●
DYNA SET/ DYNA SET STAR	624/626/620/622/625/627/621/623	●		●								●
PURO/ PURO STAR	652/653/683/687/691/696/ 685/689/654/693/655/698	●		●								●
PURO DUO	663/664/665		●		●							●
PURO/ PURO STAR with side overflow	656/657/684/688/692/697/ 686/690/658/694/659/699		●		●							●
PURO SET WIDE	667/668		●		●							●
SILENIO	674/676/678		●		●							●
VAIO/ VAIO STAR/ VAIO DUO/ 6/ 8 VAIO DUO OVAL/ VAIO SET	944/945/946/947/950/951/952/953/954/955/ 956/957/958/959/960/961		●		●							●
ADVANTAGE												
CAYONO/ CAYONO STAR	747/748/749/750/751/ 753/754/755/756/757	●		●								●
CAYONO DUO	724/725		●		●							●
MINI/ MINI STAR	836/832/834/830/ 837/833/835/831		●		●							●
SANIFORM/ SANIFORM STAR	374/338	●		●								●
SANIFORM PLUS/ SANIFORM PLUS STAR	330/331/332/333/334/335/336/337/360/361/ 372/371/375/362/363/366/367/373/344/345	●		●								●
SANIFORM V1-V4/ SANIFORM V1-V4 STAR	332 V1-V4/ 362 V1-V4	●		●								●

○ in scope of delivery ● optional accessory

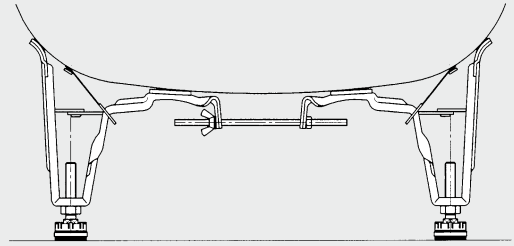
Subject to change/errors and tolerances.

BATHTUB ACCESSORIES

LEG SET BATHTUBS

ALLROUND bath leg set 5030

- 2 pairs of height-adjustable screw-type feet
- simple mounting on bath cams
- feet are sound-proofed. Optimum sound proofing in accordance with DIN 4109/A1 in conjunction with the KALDEWEI BWS sound insulating set



Leg sets	Model Order No.		GBP
ALLROUND for baths	5030 581470000000		• 45.00/kit
SPECIAL BASE FRAME	5032 581670000000		• 63.50/kit
SPECIAL BASE FRAME	5037 583170000000		• 63.50/kit

BATH SECURING DEVICE

	Order No.		GBP
sound-proofed, Set with 2 pcs.	687675130000		• 24.50/set



ADDITIONAL CHARGE FOR REQUESTED BORE HOLES (REGARDLESS OF THE QUANTITY)

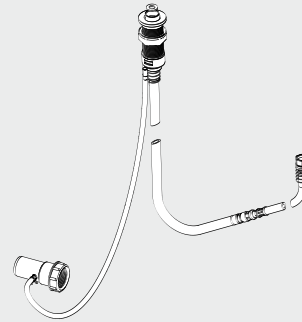
			GBP
Drill holes for taps not possible on models 951, 111, 112, 116, 113, 232, 127, 128, 674, 676, 678, 1127, 1128, 1174. All other drill holes on enquiry. Dimensioned sketch required. The surcharge applies regardless of the number of holes.			89.00



SHOWER ACCESSORIES

SHOWER HOSE

- The perfect system solution for installing the shower hose on the edge of the bath
- The shower hose discreetly disappears underneath the edge of the bath when not in use
- Any water drops that flow along the hose when the hand shower is in use are hygienically redirected towards the outlet valve via an additional hose; so no water flows under the edge of the tub to bath
- An integrated spring simplifies the retraction of the hand shower
- Inlet G3/8" or G1/2", outlet G1/2" for shower head, Shower hose length: 150 cm
- effective length: 70 cm
- Inclusive of special drilling charge, drawing showing location required
- **Suitable for KALDEWEI baths only**



For installation on the edge of the bath

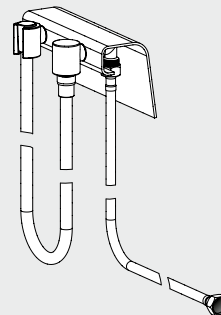
Model	Model no.	Model	Model no.
ASYMMETRIC DUO	740, 742, 744	PLAZA DUO left	192
CENTRO DUO 2	131, 135	PURO	683, 687, 652, 691, 653, 696
MEISTERSTÜCK CENTRO DUO 2	1131, 1135	PURO SET WIDE	667, 668
CENTRO DUO 1 left	129, 136	PURO STAR	654, 655, 685, 689, 693, 698
MEISTERSTÜCK CENTRO DUO 1 left	1129, 1136	PURO with side overflow	684, 688, 656, 692, 657, 697
CENTRO DUO 1 right	130, 137	PURO STAR with side overflow	658, 659, 686, 690, 694, 699
MEISTERSTÜCK CENTRO DUO 1 right	1130, 1137	PURO DUO	663, 664, 665
CENTRO DUO	132, 133	VAIO DUO	950
CLASSIC DUO	103, 105, 107, 109, 110, 114	VAIO DUO 6	952
CONODUO	732, 733, 734, 735	VAIO DUO 8	953
MEISTERSTÜCK CONODUO 1 left	1702, 1703	VAIO 6/VAIO 6 STAR	958, 959
MEISTERSTÜCK CONODUO 1 right	1712, 1713	VAIO /VAIO STAR	960, 961
MEISTERSTÜCK CONODUO 2	1722, 1723	VAIO SET	956, 944, 954, 946
ELLIPSO DUO	230	VAIO SET STAR	957, 945, 955, 947
PLAZA DUO right	190		

	Model Order No.	GBP
KALDEWEI shower hose 8880, Retractable	8880 68972020999	• 402.00

Note: Shower head not included. Information on positioning options can be found at www.kaldewei.com.

SHOWER HOSE

- The perfect system solution for positioning the shower hose on freestanding baths
- Chrome-plated attaching elements mounted to the side of the bath hold the external hose directly on the bath, safely and comfortably
- An elegant design for a stylish bath setting
- Inlet G1/2", Outlet G1/2" for shower head
- Inclusive of special drilling charge
- **Suitable for KALDEWEI baths only**



For freestanding installation

Model	Model no.	Model	Model no.
CONODUO	733-7, 734-7, 735-7	MEISTERSTÜCK CONODUO	1732, 1733
MEISTERSTÜCK CENTRO DUO OVAL	1127, 1128	MEISTERSTÜCK CENTRO DUO OVAL	1111, 1113

	Model Order No.	GBP
KALDEWEI Shower hose 8890, External	8890 689720210999	• 468.00

Note: Shower head not included. Information on positioning options can be found at www.kaldewei.com.

DESIGN GRIPS

GRIP DISCREET OPULENCE AVANTGARDE

- Safety and elegance in an aesthetically-pleasing shape
- Classic curved basic shape with an extraordinary design
- High-quality, solid grips
- Specifically designed for the luxurious Avantgarde design for various bath models
- The grips are available singularly or in sets – depending to the bath model

TYPE A		
Model	Model no.	No. of grips
CENTRO DUO	132, 133	1
CENTRO DUO 1 left	129, 136	1
CENTRO DUO 1 right	130, 137	1
CENTRO DUO 2	131, 135	1
CENTRO DUO OVAL	127, 128	1

TYPE C		
Model	Model no.	No. of grips
ELLIPSO DUO	230, 232	1



chrome

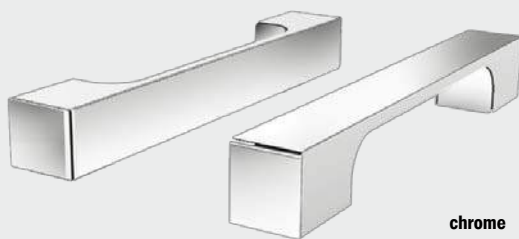
Bath grips, chrome	Order No.	GBP
Type A (1 grip)	59007000999	• 269.00
Type C (1 grip)	59027000999	• 269.00

GRIP ELEGANT PURISM AVANTGARDE

- Safety and elegance in an aesthetically-pleasing shape
- High-quality, solid grips
- Specifically designed for the puristic Avantgarde design for various bath models

TYPE A		
Model	Model no.	No. of grips
ASYMMETRIC DUO	740, 742, 744	1
CONODUO	732, 733, 734, 735	1

TYPE B		
Model		
PLAZA DUO	190, 192	1



chrome

Bath grips, chrome	Order No.	GBP
Type A (1 grip)	59047000999	• 269.00
Type B (1 grip)	59057000999	• 269.00

DESIGN GRIPS

GRIP DISCREET OPULENCE AMBIENTE

- Safety and elegance in an aesthetically-pleasing shape
- Soft, flowing form with a classic design
- High-quality, solid grips
- Specifically designed for the classic Ambiente design for various bath models
- The grips are available singularly or in sets - depending to the bath model



TYPE A		
Model	Model no.	No. of grips
CLASSIC DUO	103, 105, 107, 109, 110, 114	1
CLASSIC DUO OVAL	112, 113, 111, 116	1
VAIO DUO	950	1
VAIO DUO OVAL	951	1
VAIO DUO 6	952	1
VAIO DUO 8	953	1
TYPE B		
Model		
VAIO STAR	961	2
VAIO 6 STAR	959	2
VAIO SET STAR	957, 945, 955, 947	2
TYPE C		
Model		
SILENIO	674, 676, 678	1

Bath grips, chrome	Order No.	GBP
Type A (1 grip)	59067000999	• 214.50
Type B (2 grips)	59077000999	• 321.00
Type C (1 grip)	59137000999	• 214.50

GRIP ELEGANT PURISM AMBIENTE

- Safety and elegance in an aesthetically-pleasing shape
- Puristic, classic, basic shape in well-balanced proportions
- High-quality, solid grips
- Specifically designed for the especially straight-line Ambiente design of the PURO bath model



TYPE A		
Model	Model no.	No. of grips
PURO STAR	654, 655, 685, 689, 693, 698	2
PURO STAR with side overflow	658, 659, 686, 690, 694, 699	2
TYPE B		
Model		
PURO DUO	663, 664, 665	1
PURO SET WIDE	667, 668	1


Bath grips, chrome	Order No.	GBP
Type A (2 grips)	59087000999	• 321.00
Type B (1 grip)	59097000999	• 214.50

SILENCE PLUS

BATH SOUND INSULATING SET BWS

		Order No.		GBP
Bath sound insulating set BWS Bath sound insulating set consisting of: 2 x bath securing devices 1 x WAS 70 bath connection insulation 1 x WES 130 bath installation insulation 7 x sound-absorbing pads 1 x installation instructions Complies with DIN 4109/A1 in conjunction with the specially sound-proofed KALDEWEI feet		687675590000		• 123.00


BATH SOUND INSULATING SET BWS PLUS

		Order No.		GBP
Bath sound insulating set BWS Plus 2 x bath securing devices 1 x WAS 70 bath connection insulation 1 x WES 130 bath installation insulation 4 x Foot decouplers 1 x special leg set 5037 1 x installation instructions		687675520000		• 152.00
To comply with VDI 4100:2012:10, the bath must be installed with special sound insulation SAD (requires sound insulating set BWS Plus) and the BWS Plus sound insulating set. Extra charge for bath with special sound insulation:				• 123.00

BATH SOUND-ABSORBING SET BW-ADS

Sound-absorbing pads		Order No.		GBP
Bath sound-absorbing set BW-ADS Set consists of: 5 x sound-absorbing pads 350 x 175 mm 2 x sound-absorbing pads 175 x 175 mm		687675730000		• 45.00

CONNECTION SOUND INSULATION STRIP WAS 70

Connection sound insulation strip WAS 70		Order No.	Dimensions m	GBP
1 connection sound insulating strip WAS 70 1 set of assembly instructions		687676030000	3.30 m	• 30.00
		687676040000	10.00 m	• 77.50

WATERPROOF

SEALING KIT FLEX

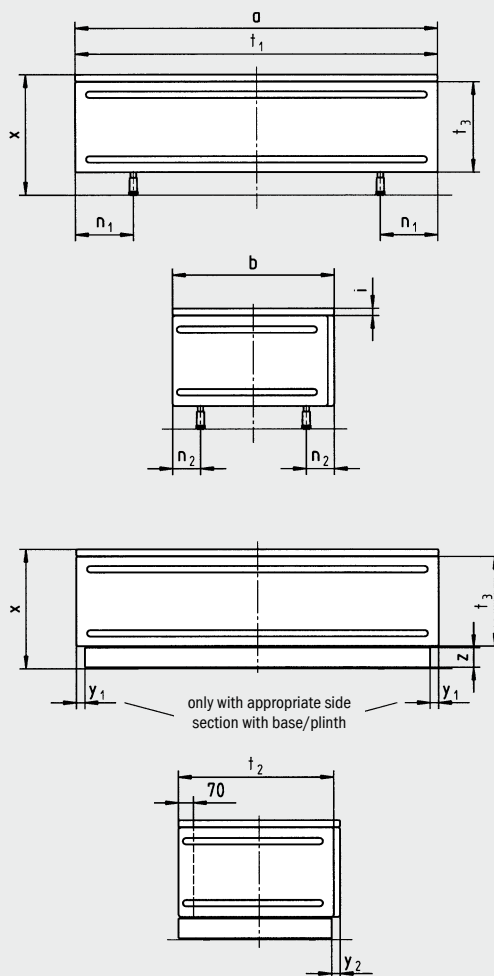
- Simple and safe – the one-stop sealing solution
- The sealing kit FLEX is the universal solution for bathtubs and showers that are not being installed at floor level.
- Easy to apply, with corner pieces that conform precisely to the geometry of the KALDEWEI shower surfaces
- The pre-assembled sealing elements allow for wall-side sealing in corners and niches
- Systematic sealing with carefully selected components based on chemical formulations used in the construction industry

Sealing kit FLEX		Order no.	Dimensions m	GBP
1 x sealing tape WDB 5.0 m 2 x wall corner piecen 1 x installation instructions		689720520000	5.0 m	• 48.50

PANELLING SYSTEMS

BAKO PANELLING SYSTEM FOR SANIFORM PLUS

- a panelling system which provides flexibility
- the bath can be replaced without damaging the tiles
- no bricking in and tiling
- quick installation without the nuisance of dust and noise



Bako front section

Modell-Nr.	1600	1600/UT	1700	1700/UT
External length	a	1600	1600	1700
External width	b	-	-	- mm
Height of rim	i	32	32	32 mm
Distance bath edge to centre of base	n ₁ ; n ₂	270; 130	270; 130	270; 130 mm
Length long section	t ₁	1600	1600	1700
Length side section	t ₂	-	-	- mm
Height front and side section	t ₃	420	420	420 mm
Overall height	x	560	560	560 mm
Base	y ₁ ; y ₂	-	40; 40	40; 40 mm
Height base	z	-	92	92 mm
for SANIFORM PLUS/ SANIFORM PLUS STAR Modell-Nr.	362-1/332 372-1/333	362-1/332 372-1/333	363-1/335 373-1/336	363-1/335 373-1/336

BAKO side section

Modell-Nr.	700	700/UT	700 VK70
External length	a	-	- mm
External width	b	700	700
Height of rim	i	32	32 mm
Distance bath edge to centre of base	n ₁ ; n ₂	270; 130	270; 130
Length long section	t ₁	-	- mm
Length side section	t ₂	670	600 mm
Height front and side section	t ₃	420	420 mm
Overall height	x	560	560 mm
Base	y ₁ ; y ₂	-	40; 40 mm
Height base	z	-	92 mm
for SANIFORM PLUS/ SANIFORM PLUS STAR Modell-Nr.	360-1; 361-1 362-1; 363-1 330; 331 332; 335	360-1; 361-1 362-1; 363-1 330; 331 332; 335	360-1; 361-1 362-1; 363-1 330; 331 332; 335

UT = version with base/plinth VK = shortened

PANELLING SYSTEMS

BAKO PANELLING SYSTEM FOR SANIFORM PLUS			
	Model Order No.	Dimensions cm	GBP alpine white
Front section without base	1600 6855 0002 0001	160 x 42 x 4	• 224.50
In this version, the created inspection opening is not covered.	1700 6855 0003 0001	170 x 42 x 4	• 224.50
Front section with base	1600/UT 6855 0004 0001	160 x 51.2 x 4	• 272.00
Height base: 9.2 cm	1700/UT 6855 0005 0001	170 x 51.2 x 4	• 272.00
Side section without base	700 6855 0020 0001	70/67 x 42 x 4	• 183.50
In this version, the created inspection opening is not covered.	700/VK70 6855 0022 0001	70/60 x 42 x 4 short. 7	• 235.00
Side section with base	700/UT 6855 0021 0001	70/67 x 51.2 x 4	• 206.00
Height base: 9.2 cm			
Tubular foot frame			GBP
Tubular foot frame mandatory, replaces other legset models for SANIFORM PLUS/SANIFORM PLUS STAR 70 cm wide Mod. 360-1, 361-1, 362-1, 363-1, 330, 331, 332, 335	5310 6855 0040 0000		• 118.50/kit



SURFACES

ANTI-SLIP SURFACES

KALDEWEI anti-slip keeps you on firm ground when you get into the bath or shower. The anti-slip enamel is firmly bonded to the KALDEWEI steel enamel.



CENTRO DUO OVAL

ANTI-SLIP AND FULL ANTI-SLIP

for KALDEWEI baths

- Discontinuous, dot textured finish
- For exact anti-slip/full anti-slip positioning on each model please visit www.kaldewei.com

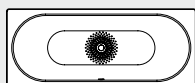
Surcharge anti-slip/full anti-slip	Colour price groups		GBP
	alpine white (I)	Sanitary Colours (II, III)	
Anti-slip for baths and whirl baths*	99.00	99.00	
Anti-slip for MEISTERSTÜCKE*	294.00		
Full anti-slip for baths and whirl baths*	188.50	188.50	
Full anti-slip MEISTERSTÜCKE*	366.00		

*Anti-slip/full anti-slip is not possible on whirl baths with floor jets

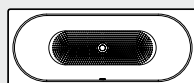
EXEMPLARY REPRESENTATION OF PARTIAL ANTI-SLIP/FULL ANTI-SLIP DESIGNS ON ENAMELLED BATHTUBS

PARTIAL ANTI-SLIP FULL ANTI-SLIP

CLASSIC DUO

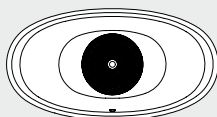


170 x 70

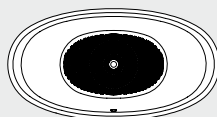


170 x 70

ELLIPSO DUO OVAL



190 x 100



190 x 100

The sizes of the partial anti-slip and full anti-slip can be found in the technical information on the respective product pages.

SURFACES

EASY-CLEAN FINISH

All baths and shower trays in the colour price group I and II, III are available with the easy-clean finish. The easy-clean finish is a surface finish that is permanently burnt into the KALDEWEI steel enamel. Water droplets form beads and simply roll down the sides, taking virtually all dirt particles and limescale with them. Even dried-on water marks and limescale deposits can be quickly wiped away.



Surcharge easy-clean finish	Model Order No.	GBP
for baths	xxxxxxx3xxx	86.00

LIGHTING SYSTEMS

LIGHTING SET FOR BATHS

- more of a bathing experience thanks to atmospheric lighting effects
- combines white and coloured spectral light in one set
- The colour cycle can be stopped at any colour by pressing and holding the button.
- set comprises one LED spotlight, one control with mains cable and one keyboard
- simple to install in bath with hole (not preassembled in factory)

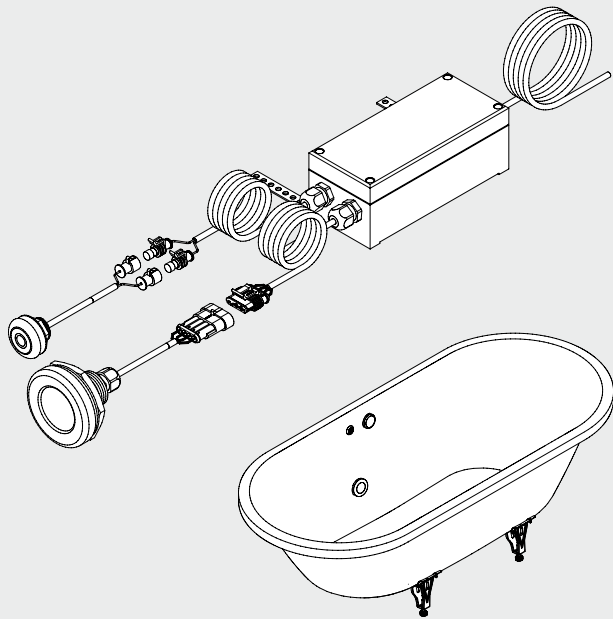
CAUTION! Special bath design required. For lighting set mounting, a special bath hole (standard positioning) is to be provided, which is included into the accessory price. Lighting set should be ordered with the corresponding bath in one step.



Spectral light on



Spectral light off



Lighting set incl. special hole	Model Order No.	GBP
spectral light (LED)	6302 63020000999	• 746.00

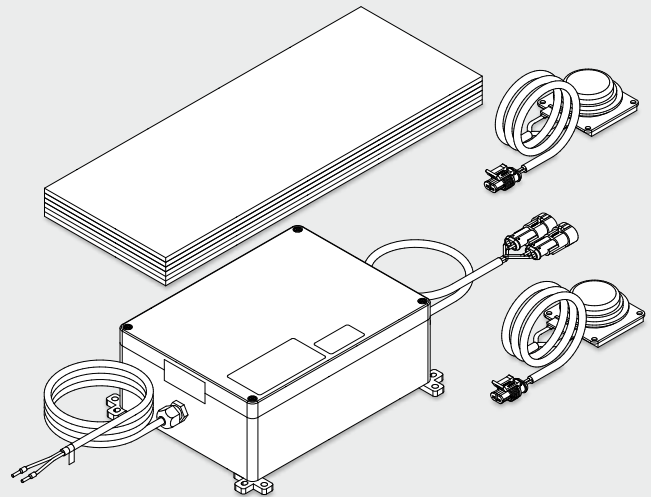
Not available for SILENIO, INCAVA, MEISTERSTÜCK INCAVA, ELLIPSO DUO OVAL with panel and baths with polystyrene support.
Lighting options for whirlpool baths can be found on the relevant accessories pages..

SOUND SYSTEMS

SOUND WAVE

- Innovative sound audio system
- Bath acts as sound box
- Good audio quality due to perfectly tuned technology
- Extraordinary sound above and under water
- Immersive musical experience
- Very easy to operate using your Bluetooth®-enabled device
- Perfect for the family. Wireless connection for up to 8 devices
- Operation via Bluetooth®.
 - The SOUND WAVE complies with Bluetooth® specification 3.0.
 - The system supports the following profile: Advanced Audio Distribution (A2DP) 1.0.
- Sound Wave automatically switches to stand by after disconnection
- **Only suitable for KALDEWEI baths**

Not suitable for whirl baths.



THE INNOVATIVE BATH AUDIO SYSTEM.

Relaxation and wellness belong to a lifestyle. Just as well-being is invigorating for body and soul. So, what better way to relax than with music? With SOUND WAVE, KALDEWEI offers an innovative audio system that uses the bath as a sound box to create exceptional sounds –with or without water. The SOUND WAVE components, including

Bluetooth® receiver, are concealed under the bath. The set comprises six acoustic panels, a control box with power cable, and 2 transducers. Experience the extraordinary sound under water and escape from everyday life – with SOUND WAVE.



<p>SOUND WAVE The Sound Wave system is available for all KALDEWEI baths (except baths with installed whirl systems).</p>	<p>Model Order No.</p>	<p>GBP</p>
<p>SOUND WAVE</p>	<p>6801 584576100000</p>	<p>• 651.00</p>

Bluetooth is a registered brand of Bluetooth SIG Inc.

BATH COVER

RELAX LOUNGER

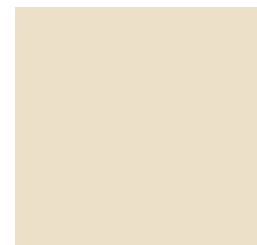
- bath cover can be used as a seat or for reclining
- consists of three individual sections (each 6 kg)
- made of high-quality, hand-sewn upholstery
- with matching, semi-circular pillow (40 x 23 x 9 cm)
- colours: Anthracite, Beige, Crimson, Chocolate
- rack for storing relax lounge and pillow (60 x 31 x 29 cm) in high-quality MDF in alpine white (available separately)



RELAX LOUNGER	Dimension	Model
CAYONO	170 x 75	750
CAYONO	180 x 80	751
CENTRO DUO	170 x 75	132
CENTRO DUO	180 x 80	133
CLASSIC DUO	170 x 75	107
CLASSIC DUO	180 x 80	110
CLASSIC DUO	190 x 90	114
CONODUO	170 x 75	732
CONODUO	180 x 80	733
CONODUO	190 x 90	734
CONODUO	200 x 100	735
MEISTERSTÜCK CONODUO 1 left/right	170 x 75	1702/1712
MEISTERSTÜCK CONODUO 1 left/right	180 x 80	1703/1713
MEISTERSTÜCK CONODUO 2	170 x 75	1722
MEISTERSTÜCK CONODUO 2	180 x 80	1723
DYNA SET/DYNA SET STAR	180 x 80	622/623
PURO/PURO STAR	170 x 75	652, 654/656, 658
PURO/PURO STAR	180 x 80	653, 655/657, 659
PURO/PURO STAR	190 x 90	696, 698/697, 699
PURO DUO	170 x 75	663
PURO DUO	180 x 80	664
PURO DUO	190 x 90	665
SANIFORM PLUS/SANIFORM PLUS STAR	170 x 75	373/336
SANIFORM PLUS/SANIFORM PLUS STAR	180 x 80	375/337
VAIO DUO	180 x 80	950
VAIO SET/VAIO SET STAR	170 x 75	954/955
VAIO SET/VAIO SET STAR	180 x 80	946/947



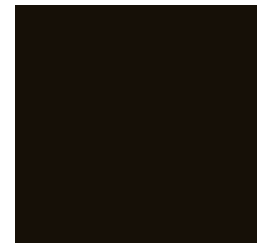
Anthracite



Beige



Crimson



Chocolate

Actual product colours may differ slightly from those illustrated due to the printing process.

RELAX LOUNGER	Model Order No.	Dimensions cm	GBP
Anthracite Beige Crimson Chocolate	7090 6897 1018 0000 6897 1015 0000 6897 1016 0000 6897 1017 0000	170 x 75	• 2,253.00 • 1,934.00 • 2,253.00 • 2,253.00
Anthracite Beige Crimson Chocolate	7100 6897 1008 0000 6897 1001 0000 6897 1006 0000 6897 1007 0000	180 x 80	• 2,288.00 • 1,962.00 • 2,288.00 • 2,288.00
Anthracite Beige Crimson Chocolate	7110 6897 1011 0000 6897 1002 0000 6897 1009 0000 6897 1010 0000	190 x 90	• 2,385.00 • 2,064.00 • 2,385.00 • 2,385.00
Anthracite Beige Crimson Chocolate	7120 6897 1014 0000 6897 1005 0000 6897 1012 0000 6897 1013 0000	200 x 100	• 3,231.00 • 2,707.00 • 3,231.00 • 3,231.00
rack for storing	6897 1003 0000		• 584.00

CUSHIONS

MULTIFUNCTIONAL CUSHIONS

- can be used as foot, neck or arm rest
- foot rest: keeps you from sliding down in larger baths
- below the thighs: keeps you from sliding down in larger baths
- neck rest: comfortable support for head and neck
- arm rest: gives you a place to rest your arms when placed at the sides of the bath
- size 35 x 12 x 5 cm
- available in two colours
- set of two cushions



MULTIFUNCTIONAL CUSHIONS	Order No.		GBP
Set with two cushions, grey	687675770000	Minimum purchase 1 set (2 pcs.)	• 155.00/set
Set with two cushions, white	687675760000	Minimum purchase 1 set (2 pcs.)	• 155.00/set

BATH CUSHION

Bath cushion made of flexible, soft material which adapts to the shape of the neck and the bath. The hardness level of the full cushion can also be adjusted by means of a valve. Textile cover kind to the skin and machine-washable, with practical sewn-in tab for hanging up to dry. **Size: 50 x 30 cm**



KALDEWEI bath cushion	Order No.		GBP
	687675830000		• 82.00

Wellness products

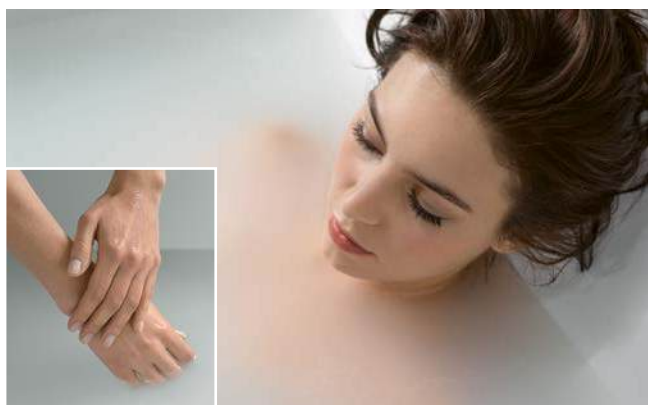


SKIN TOUCH

THE MOST IMPORTANT ADDITIVE FOR YOUR BEAUTY BATH: AIR.

With SKIN TOUCH you feel even more at home in your skin. Because this new system transforms the KALDEWEI Avant-garde and Ambiente bathtubs into veritable fountains of youth. A discreet jet enriches the water with tiny bubbles of air which

are up to 100 times smaller than those in whirl baths and significantly increase the oxygen content of the bathwater. This microfine pearl effect relaxes and regenerates. The result: After bathing your skin feels even smoother and softer.



SKIN TOUCH film

PRODUCT	COMPONENTS	PROPERTIES
SKIN TOUCH	SKIN TOUCH unit; on / off control	<ul style="list-style-type: none"> • chrome-plated control pushbutton • No spotlight • Plastic inlet cover
SKIN TOUCH emotion	SKIN TOUCH unit; electronic control panel; spectral light	<ul style="list-style-type: none"> • Lighting with chrome trim • Electronic glass control panel • Enamelled inlet cover

Model	Model No.	Model	Model No.
ASYMMETRIC DUO	740, 742, 744	MEISTERSTÜCK CENTRO DUO 1 left	1129, 1136
CENTRO DUO OVAL	127, 128	MEISTERSTÜCK CENTRO DUO 1 right	1130, 1137
CENTRO DUO 2	131, 135	MEISTERSTÜCK CENTRO DUO 2	1131, 1135
CENTRO DUO 1 left	129, 136	MEISTERSTÜCK CENTRO DUO OVAL	1127, 1128
CENTRO DUO 1 right	130, 137	PLAZA DUO right	190
CENTRO DUO	132, 133	PLAZA DUO left	192
CLASSIC DUO OVAL	111, 116, 112, 113	PURO	683, 687, 652, 691, 653, 696
CLASSIC DUO	105, 107, 109, 110, 114	PURO STAR	685, 689, 654, 693, 655, 698
CONODUO	732, 733, 734, 735	PURO with side overflow	684, 688, 656, 692, 657, 697
ELLIPSO DUO	230	PURO STAR with side overflow	686, 690, 658, 694, 659, 699
		PURO DUO	663, 664, 665
		SILENIO (Please note: This model requires installation of the control panel outside the bath.)	674, 676, 678

WELLNESS-SYSTEMS

EXTRA CHARGE KALDEWEI SKIN TOUCH

	SKIN TOUCH	SKIN TOUCH emotion	SKIN TOUCH emotion for MEISTERSTÜCKE
	chrome-plated control pushbutton	Electronic control element made of glass (available only in white)	Electronic control element made of glass (available only in white)
	No spotlight	Spectral light with chrome-plated surround	Spectral light with chrome-plated surround
	Plastic inlet cover (available only in alpine white, manhattan and pergamon)	Enamelled inlet cover (available only in the relevant bathtub colour)	Enamelled inlet cover (available only in the relevant bathtub colour)

Surcharge for wellness technology (incl. waste and overflow fitting and visible chrome parts, pedestal). Does not include price of the bathtub! The systems are fitted to the bathtub at the factory. The whirlpool system order form is available at www.kaldewei.com.

Model	Model No.	GBP		
Colour combination depends on bathtub model.		2,111.00	2,988.00	3,331.00

MEISTERSTÜCK

MEISTERSTÜCK CENTRO DUO 1 left	1129, 1136			●
MEISTERSTÜCK CENTRO DUO right	1130, 1137			●
MEISTERSTÜCK CENTRO DUO 2	1131, 1135			●
MEISTERSTÜCK CENTRO DUO OVAL	1127, 1128			●

AVANTGARDE

ASYMMETRIC DUO	740, 742, 744	●	●	
CENTRO DUO	132, 133	●	●	
CENTRO DUO OVAL	127, 128	●	●	
CENTRO DUO 1 left	129, 136	●	●	
CENTRO DUO 1 right	130, 137	●	●	
CENTRO DUO 2	131, 135	●	●	
CONODUO	732, 733, 734, 735	●	●	
ELLIPSO DUO	230	●	●	
ELLIPSO DUO OVAL	232	●		
PLAZA DUO right/left	190, 192	●	●	

AMBIENTE

CLASSIC DUO	103			
	105, 107, 109, 110, 114	●	●	
CLASSIC DUO OVAL	112, 116, 113, 111	●	●	
PURO	683, 687, 652, 691, 653, 696	●	●	
PURO STAR	685, 689, 654, 693, 655, 698	●	●	
PURO DUO	663, 664, 665	●	●	
PURO	684, 688, 656, 692, 657, 697	●	●	
PURO STAR with side overflow	686, 690, 658, 694, 659, 699	●	●	
PURO SET WIDE left/right	668, 667	●	●	
SILENIO*	674, 676, 678	●	●	

* Please note: The control panel must be fitted to the outside of the bathtub.



RELAXATION HAS MANY SOURCES

BODY & SOUL

The coming together of the elements for the absolute massage experience

- Water and air combined give the entire body an intensive massage and relax the senses at the same time
- Water and air combined give the entire body an intensive massage and relax the senses at the same time
- a flow of pre-warmed air bubbles stimulates the skin
- on request, the side and floor nozzles can be selected separately and their intensity adjusted
- individually adjustable whirl programs and air mixture based on the Venturi principle

SOUL

A bubbling stream of air for relaxation and inner peace

- leave stress behind and free your mind
- a gentle skin massage by means of a flow of pre-warmed air bubbles
- the nerve fibre endings of the skin are stimulated by the gentle caressing of the air. This produces a feeling of floating weightlessly in the water
- the floor nozzles are particularly flat and efficient

BODY/FULL BODY

A bubbling stream of air for relaxation and inner peace

- Pure relaxation - whether after hard work or an intense workout
- An intensive massage with powerful jets of water that, enriched with air, penetrate deep into the skin
- Tensions in muscles and joints are released, the connective tissue loosened and the blood circulation in the body promoted. That gives an invigorating feeling of well-being
- the side jets can be individually aligned to the regions of the body that are to be massaged
- Full body: Special nozzles treat the back and feet in a targeted way

WHIRLPOOL SYSTEMS

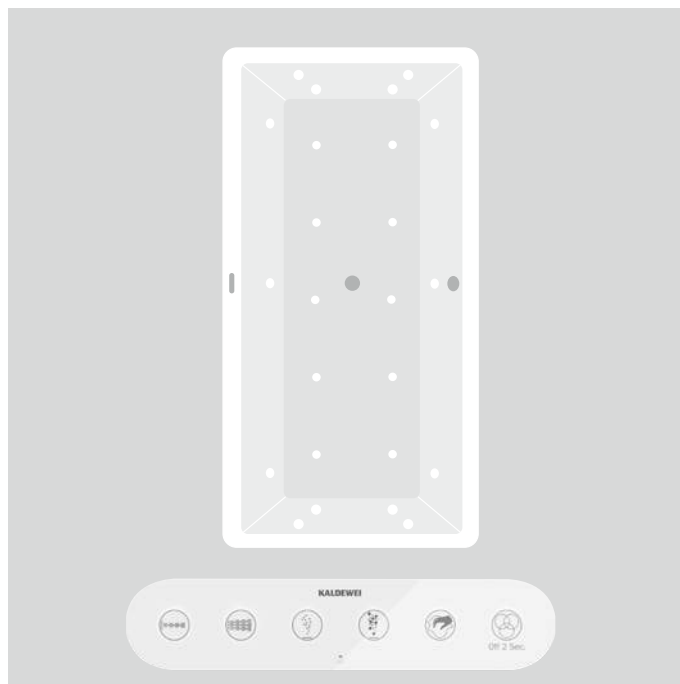
WHIRLPOOL SYSTEMS					
	Model	COMBIMASSAGE BODY & SOUL	AIRMASSAGE SOUL	AQUAMASSAGE FULL BODY	AQUAMASSAGE BODY
Jets		10 - 12 floor jets 6 side jets 4 back and 4 foot jets	10 - 12 floor jets	6 side jets 4 back and 4 foot jets	6 side jets
MEISTERSTÜCK/ FREESTANDING	MEISTERSTÜCK CENTRO DUO OVAL		●		
	MEISTERSTÜCK CLASSIC DUO OVAL		○		
	CLASSIC DUO OVAL freestanding		○		
	MEISTERSTÜCK CONODUO		○		
	CONODUO freestanding		○		
AVANTGARDE	ASYMMETRIC DUO	○	○	○	○
	CENTRO DUO	●	●	●	●
	CENTRO DUO 1 left	○	○	○	○
	CENTRO DUO 1 right	○	○	○	○
	CENTRO DUO 2	○	○	○	○
	CENTRO DUO OVAL	●	●	●	●
	CONODUO	●	●	●	○
	ELLIPSO DUO			○	○
	ELLIPSO DUO OVAL				●
	PLAZA DUO left/right	○	○	○	○
AMBIENTE	CLASSIC DUO	●	●	●	●
	CLASSIC DUO OVAL	○	○	○	○
	PURO (STAR)	○	●	●	○
	PURO DUO	●	●	●	●
	PURO (STAR) with side overflow	○	○	○	○
	PURO SET WIDE left/right	○	○	○	○
	VAIO DUO		○		
	VAIO DUO OVAL		○		
ADVANTAGE	CAYONO (STAR)			●	●
	CAYONO DUO			○	○
	SANIFORM (STAR)				○ only models with a length of 1500 mm or more
	SANIFORM PLUS (STAR)				● only models with a length of 1500 mm or more
	SANIFORM V1-V4 (STAR)				○ only models with a length of 1500 mm or more

○ please order through order form ● also available as pre-configured whirlpool bathtubs in selected sizes

Grip holes for Aquamassage Body only possible as special drilling.

COMBIMASSAGE BODY & SOUL

- from the intensive massage of the entire body by means of targeted water jets to a relaxing skin massage with preheated air bubbles
- Side and floor nozzles can be selected separately
- Side jets and microjets for back and feet, individual alignment of the water jet
- flat floor nozzles
- Silent and Power massage programs with a mixture of air
- Automatic cleaning
- Automatic drainage of residual water and drying of the air system after use
- LED bathtub lighting with white and coloured light
- Visible parts in alpine white
- flat control panel
- Waste and overflow fittings included
- the system is factory-fitted to the bathtub, including the feet for built-in bathtubs

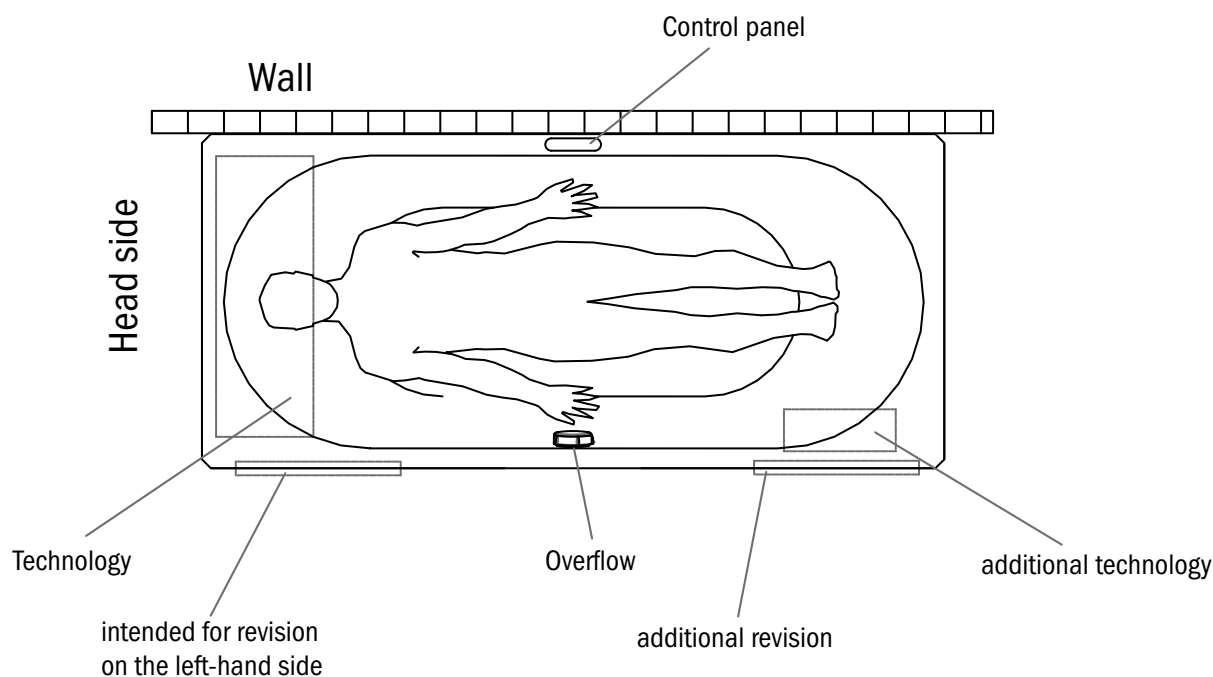


Similar illustration

TECHNICAL DETAILS	
Voltage, frequency	220-240 V, 50/60 Hz
Overall connection	ca. 1.230 W
Limits of use indoors	+5...+45°C

Available for the following models			
MEISTERSTÜCKE/freestanding bathtubs	AVANTGARDE	AMBIENTE	ADVANTAGE
	ASYMMETRIC DUO	CLASSIC DUO	
	CENTRO DUO	CLASSIC DUO OVAL	
	CENTRO DUO 1 left	PURO (STAR)	
	CENTRO DUO 1 right	PURO DUO	
	CENTRO DUO 2	PURO (STAR) with side overflow	
	CENTRO DUO OVAL	PURO SET WIDE left/right	
	CONODUO		
	PLAZA DUO left/right		

STANDARD LEGAL EXECUTION



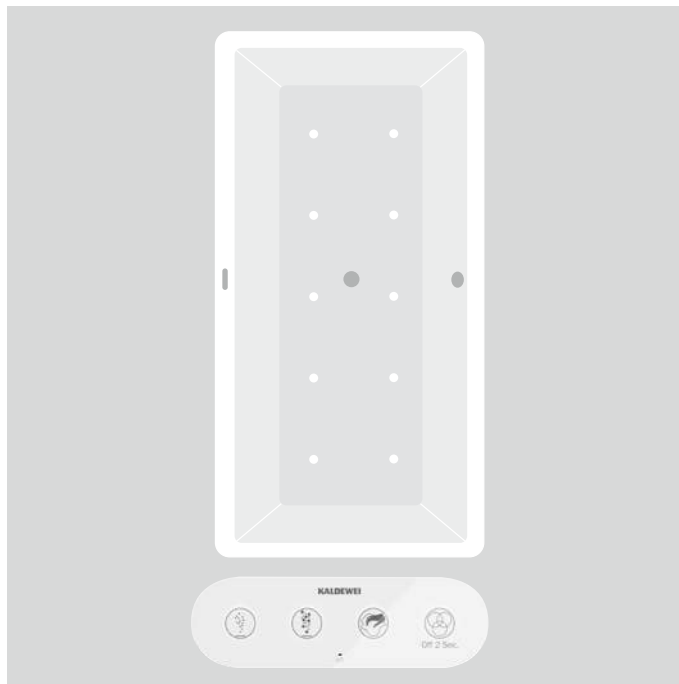
	Model Order No.	Dimensions mm	Extra charge	Colour price groups	GBP
WHIRLPOOL SYSTEM EXCLUSIVE BATHTUB					
COMBIMASSAGE BODY & SOUL Extra charge for the whirlpool system. The price of the bathtub is not included. The system includes the waste and overflow fittings without filling function, visible parts in alpine white. For built-in bathtubs including leg set. System pre-assembled during manufacturing.	Whirl order form at www.kaldewei.com		5.884,00	Available bathtub colours according to the colour chart for bathtubs. Prices for FPG I-IV for the selected model.	
PRECONFIGURED WHIRLPOOL SETS* (WHIRLPOOL SYSTEM INCLUDING BATHTUB)			PRICE	alpine white (I)	
CLASSIC DUO with COMBIMASSAGE BODY & SOUL	107 290760000001	1700 x 750 x 420			5,691.00
	110 291060000001	1800 x 800 x 420			5,831.00
PURO DUO with COMBIMASSAGE BODY & SOUL	663 266360000001	1700 x 750 x 410			5,878.00
	664 266460000001	1800 x 800 x 410			5,919.00
CENTRO DUO with COMBIMASSAGE BODY & SOUL	132 283260000001	1700 x 750 x 460			6,521.00
	133 283360000001	1800 x 800 x 460			6,925.00
CENTRO DUO OVAL with COMBIMASSAGE BODY & SOUL	127-1 282760000001	1700 x 750 x 460			7,270.00
	128-1 282860000001	1800 x 800 x 460			7,845.00
CONODUO with COMBIMASSAGE BODY & SOUL	733 235160000001	1800 x 800 x 420			6,418.00
	734 235260000001	1900 x 900 x 420			6,995.00
OPTIONALLY: EQUIPMENT FOR WHIRLPOOL SYSTEMS AND PRECONFIGURED WHIRLPOOL SETS			PRICE	(I)	
BATHTUB WITH EASY-CLEAN FINISH	xxxxxxx3xxx		86.00		
WASTE AND OVERFLOW SET WITH WATER INLET (alpine white)	xxxx6001xxx				234.00
CHROME-PLATED VISIBLE PARTS (control panel always white glass)	xxxx6002xxx		98.50		
WASTE AND OVERFLOW SET WITH WATER INLET AND CHROME-PLATED VISIBLE PARTS (control panel always white glass)	xxxx6003xxx		332,50		
OPTIONALLY: ACCESSORIES FOR WHIRLPOOL SYSTEMS AND PRE-CONFIGURED WHIRLPOOL BATHTUB SETS			PRICE	(I)	
FRAMELESS INSPECTION FLAP WITH ALUMINIUM VENTILATION GRILLE (can be used from 150 x 150 mm to 500 x 1000 mm)	687272830000		• 241.50		
Disinfectant, 1000 ml	687676140000		• 106.50		

*Preconfigured whirlpool bathtubs; Right-hand version standard, Left-hand version available via order.



AIRMASSAGE SOUL

- relaxing skin massage by means of a flow of pre-warmed air bubbles
- flat floor nozzles
- Silent and Power massage programs
- Automatic cleaning
- Automatic drainage of residual water and drying of the air system after use
- LED bathtub lighting with white and coloured light
- Visible parts in alpine white
- flat control panel
- Waste and overflow fittings included
- the system is factory-fitted to the bathtub, including the feet for built-in bathtubs



Similar illustration

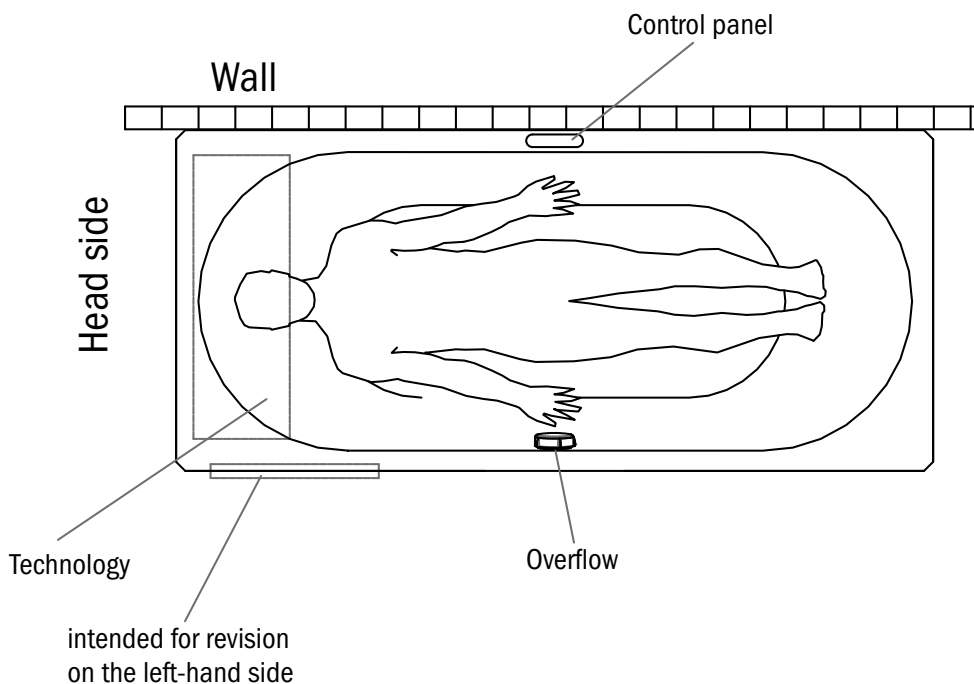
TECHNICAL DETAILS

Voltage, frequency	220-240 V, 50/60 Hz
Overall connection	ca. 550 W
Limits of use indoors	+5...+45°C

Available for the following models

MEISTERSTÜCKE/freestanding bathtubs	AVANTGARDE	AMBIENTE	ADVANTAGE
MEISTERSTÜCK CENTRO DUO OVAL	ASYMMETRIC DUO	CLASSIC DUO	
MEISTERSTÜCK CLASSIC DUO OVAL	CENTRO DUO	CLASSIC DUO OVAL	
MEISTERSTÜCK CONODUO	CENTRO DUO 1 left	PURO (STAR)	
CLASSIC DUO OVAL freestanding	CENTRO DUO 1 right	PURO DUO	
CONODUO freestanding	CENTRO DUO 2	PURO (STAR) with side overflow	
	CENTRO DUO OVAL	PURO SET WIDE left/right	
	CONODUO	VAIO DUO	
	PLAZA DUO left/right	VAIO DUO OVAL	

STANDARD LEGAL EXECUTION

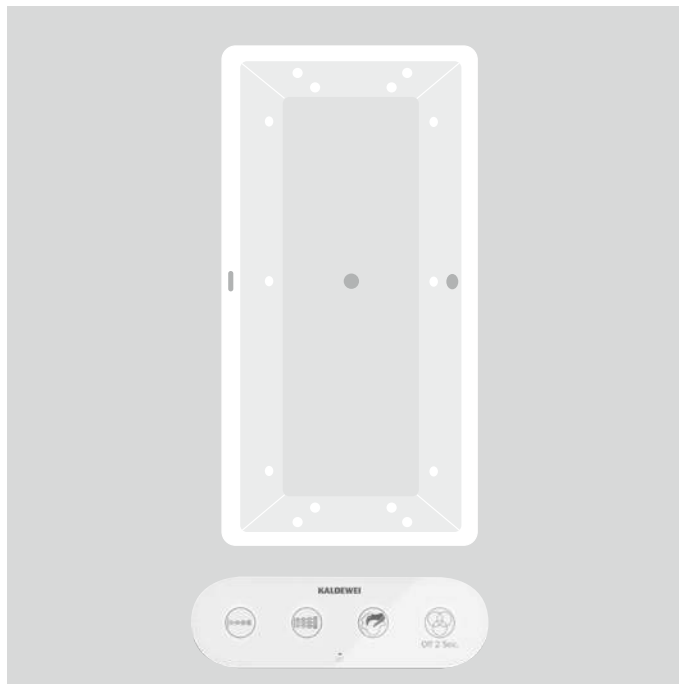


	Model Order No.	Dimensions mm	Extra charge	Colour price groups Alpine White (I)	GBP
WHIRLPOOL SYSTEM EXCLUSIVE BATHTUB					
AIRMASSAGE SOUL Extra charge for the whirlpool system. The price of the bathtub is not included. The system includes the waste and overflow fittings without filling function, visible parts in alpine white. For built-in bathtubs including leg set. System pre-assembled during manufacturing.	Whirl order form at www.kaldewei.com		3.530,00	Available bathtub colours according to the colour chart for bathtubs. Prices for FPG I-IV for the selected model.	
PRECONFIGURED WHIRLPOOL SETS* (WHIRLPOOL SYSTEM INCLUDING BATHTUB)			PRICE	alpine white (I)	
CLASSIC DUO with AIRMASSAGE SOUL	107 2907 6051 0001	1700 x 750 x 420			3,731.00
	110 2910 6051 0001	1800 x 800 x 420			3,871.00
PURO with AIRMASSAGE SOUL	652 2562 6051 0001	1700 x 750 x 410			3,700.00
	653 2563 6051 0001	1800 x 800 x 410			3,787.00
PURO DUO with AIRMASSAGE SOUL	663 2663 6051 0001	1700 x 750 x 410			3,918.00
	664 2664 6051 0001	1800 x 800 x 410			3,959.00
CENTRO DUO with AIRMASSAGE SOUL	133 2833 6051 0001	1800 x 800 x 460			4,965.00
CENTRO DUO OVAL with AIRMASSAGE SOUL	128-1 2828 6051 0001	1800 x 800 x 460			5,885.00
CONODUO with AIRMASSAGE SOUL	733 2351 6051 0001	1800 x 800 x 420			4,458.00
MEISTERSTÜCK CENTRO DUO OVAL with AIRMASSAGE SOUL incl. EASY-CLEAN finish	1127 2001 6051 3001	1700 x 750 x 460			9,461.00
	1128 2002 6051 3001	1800 x 800 x 460			10,132.00
OPTIONALLY: EQUIPMENT FOR WHIRLPOOL SYSTEMS AND PRECONFIGURED WHIRLPOOL SETS			PRICE	(I)	
BATHTUB WITH EASY-CLEAN FINISH	xxxxxxx3xxx		86.00		
WASTE AND OVERFLOW SET WITH WATER INLET (alpine white)	xxx 6052 xxx				234.00
CHROME-PLATED VISIBLE PARTS (control panel always white glass)	xxx 6053 xxx		98.50		
WASTE AND OVERFLOW SET WITH WATER INLET AND CHROME-PLATED VISIBLE PARTS (control panel always white glass)	xxx 6054 xxx		332,50		
OPTIONALLY: ACCESSORIES FOR WHIRLPOOL SYSTEMS AND PRE-CONFIGURED WHIRLPOOL BATHTUB SETS			PRICE	(I)	
FRAMELESS INSPECTION FLAP WITH ALUMINIUM VENTILATION GRILLE (can be used from 150 x 150 mm to 500 x 1000 mm)	68727 2830 000		• 241.50		
Disinfectant, 1000 ml	68767 6140 000		• 106.50		

*Preconfigured whirlpool bathtubs; Right-hand version standard, Left-hand version available via order.

AQUAMASSAGE FULL BODY

- Intensive massage of the entire body, including the back and feet, using targeted jets of water from four sides, relieving tension in muscles and joints
- Side jets and microjets for back and feet, individual alignment of the water jet
- Silent and Power massage programs with a mixture of air
- Automatic cleaning
- Automatic drainage of residual water and drying of the air system after use
- LED bathtub lighting with white and coloured light
- Visible parts in alpine white
- flat control panel
- Waste and overflow fittings included
- the system is factory-fitted to the bathtub, including the feet for built-in bathtubs



Similar illustration

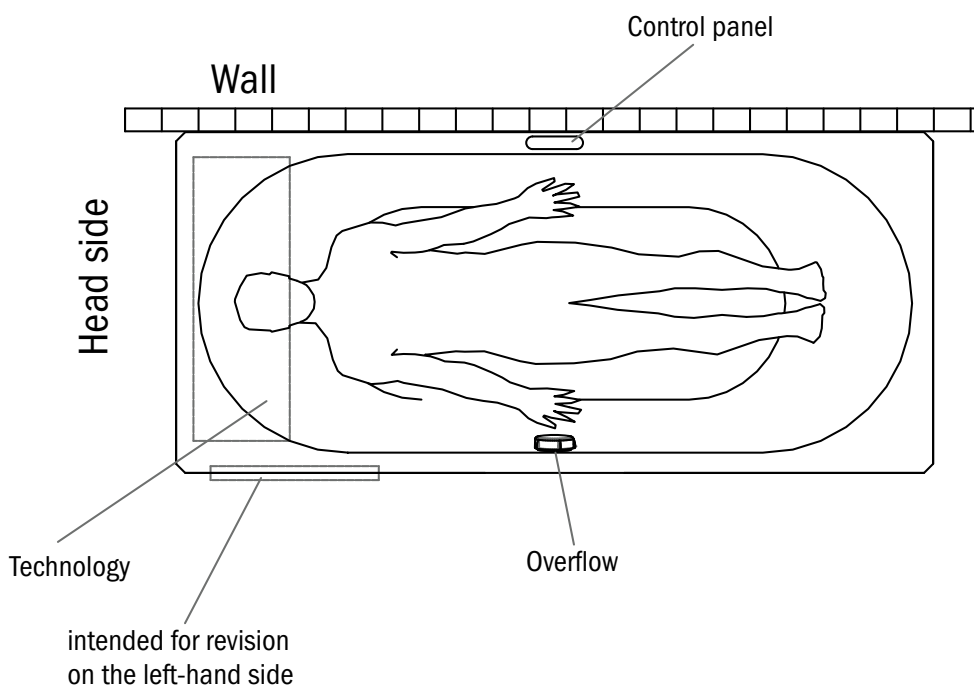
TECHNICAL DETAILS

Voltage, frequency	220-240 V, 50/60 Hz
Overall connection	ca. 730 W
Limits of use indoors	+5...+45°C

Available for the following models

MEISTERSTÜCKE/freestanding bathtubs	AVANTGARDE	AMBIENTE	ADVANTAGE
	ASYMMETRIC DUO	CLASSIC DUO	CAYONO (STAR)
	CENTRO DUO	CLASSIC DUO OVAL	CAYONO DUO
	CENTRO DUO 1 left	PURO (STAR)	
	CENTRO DUO 1 right	PURO DUO	
	CENTRO DUO 2	PURO (STAR) with side overflow	
	CENTRO DUO OVAL	PURO SET WIDE left/right	
	CONODUO		
	ELLIPSO DUO		
	PLAZA DUO left/right		

STANDARD LEGAL EXECUTION

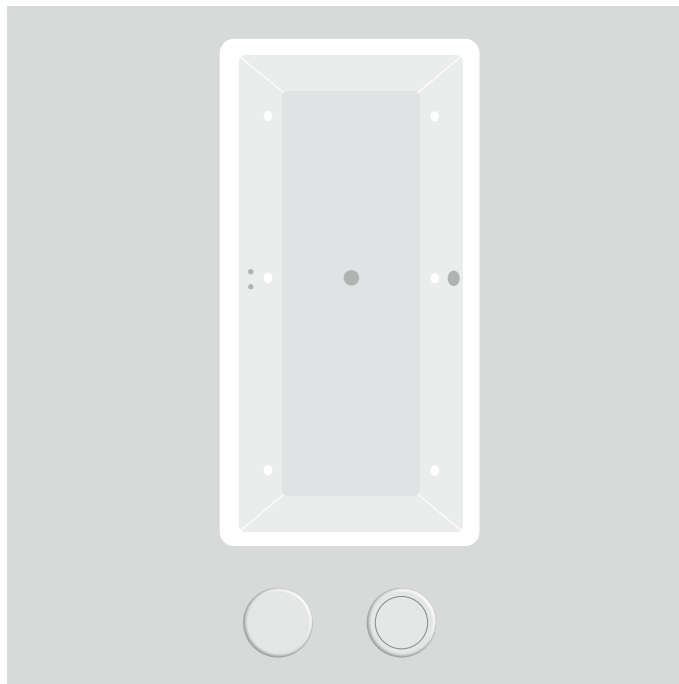


	Model Order No.	Dimensions mm	Extra charge	Colour price groups Alpine White (I)	GBP
WHIRLPOOL SYSTEM EXCLUSIVE BATHTUB					
AQUAMASSAGE FULL BODY Extra charge for the whirlpool system. The price of the bathtub is not included. The system includes the waste and overflow fittings without filling function, visible parts in alpine white. For built-in bathtubs including leg set. System pre-assembled during manufacturing.	Whirl order form at www.kaldewei.com		4.314,00	Available bathtub colours according to the colour chart for bathtubs. Prices for FPG I-IV for the selected model.	
PRECONFIGURED WHIRLPOOL SETS* (WHIRLPOOL SYSTEM INCLUDING BATHTUB)			PRICE	alpine white (I)	
CAYONO with AQUAMASSAGE FULL BODY	748 274860250001 749 274960250001 750 275060250001	1600 x 700 x 400 1700 x 700 x 400 1700 x 750 x 400			4,050.00 4,074.00 4,050.00
CLASSIC DUO with AQUAMASSAGE FULL BODY	107 290760250001 110 291060250001	1700 x 750 x 420 1800 x 800 x 420			4,318.00 4,458.00
PURO with AQUAMASSAGE FULL BODY	652 256260250001 653 256360250001	1700 x 750 x 410 1800 x 800 x 410			4,287.00 4,374.00
PURO DUO with AQUAMASSAGE FULL BODY	663 266660250001 664 266460250001	1700 x 750 x 410 1800 x 800 x 410			4,505.00 4,546.00
CENTRO DUO with AQUAMASSAGE FULL BODY	133 283360250001	1800 x 800 x 460			5,552.00
CENTRO DUO OVAL with AQUAMASSAGE FULL BODY	128-1 282860250001	1800 x 800 x 460			6,472.00
CONODUO with AQUAMASSAGE FULL BODY	733 235160250001	1800 x 800 x 420			5,045.00
OPTIONALLY: EQUIPMENT FOR WHIRLPOOL SYSTEMS AND PRECONFIGURED WHIRLPOOL SETS			PRICE	(I)	
BATHTUB WITH EASY-CLEAN FINISH	xxxxxxx3xxx		86.00		
WASTE AND OVERFLOW SET WITH WATER INLET (alpine white)	xxx6026xxx				234.00
CHROME-PLATED VISIBLE PARTS (control panel always white glass)	xxx6027xxx		98.50		
WASTE AND OVERFLOW SET WITH WATER INLET AND CHROME-PLATED VISIBLE PARTS (control panel always white glass)	xxx6028xxx		332,50		
OPTIONALLY: ACCESSORIES FOR WHIRLPOOL SYSTEMS AND PRE-CONFIGURED WHIRLPOOL BATHTUB SETS			PRICE	(I)	
FRAMELESS INSPECTION FLAP WITH ALUMINIUM VENTILATION GRILLE (can be used from 150 x 150 mm to 500 x 1000 mm)	687272830000		• 241.50		
Disinfectant, 1000 ml	687676140000		• 106.50		

*Preconfigured whirlpool bathtubs; Right-hand version standard, Left-hand version available via order.

AQUAMASSAGE BODY

- Intensive massage of the body with targeted jets of water from two sides, relieving tensions in muscles and joints
- Side nozzles, individual alignment of the water jet
- Visible parts in alpine white
- Operation via rotary knob to adjust the massage strength
- Waste and overflow fittings included
- the system is factory-fitted to the bathtub, including the feet for built-in bathtubs



Similar illustration

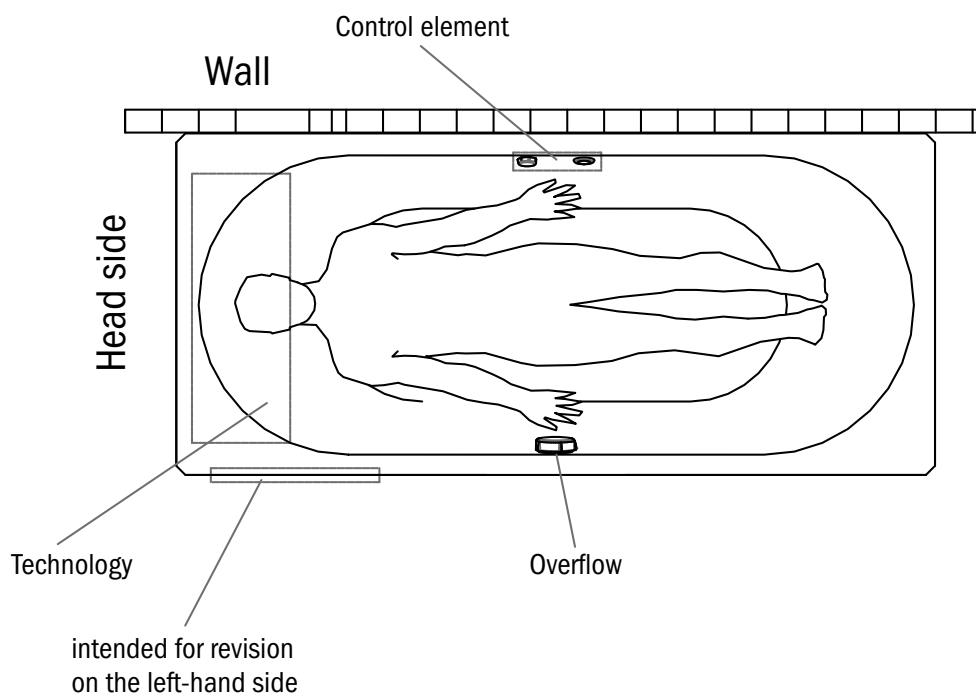
TECHNICAL DETAILS

Voltage, frequency	220-240 V, 50/60 Hz
Overall connection	ca. 600 W
Limits of use indoors	+5...+45°C

Available for the following models

MEISTERSTÜCKE/freestanding bathtubs	AVANTGARDE	AMBIENTE	ADVANTAGE
	ASYMMETRIC DUO	CLASSIC DUO	CAYONO (STAR)
	CENTRO DUO	CLASSIC DUO OVAL	CAYONO DUO
	CENTRO DUO 1 left	PURO (STAR)	SANIFORM (STAR) from 1500 mm
	CENTRO DUO 1 right	PURO DUO	SANIFORM PLUS (STAR) from 1500 mm
	CENTRO DUO 2	PURO (STAR) seitlicher Überlauf	SANIFORM V1-V4 (STAR) from 1500 mm
	CENTRO DUO OVAL	PURO SET WIDE left/right	
	CONODUO		
	ELLIPSO DUO		
	ELLIPSO DUO OVAL		
	PLAZA DUO left/right		

STANDARD LEGAL EXECUTION



	Model Order No.	Dimensions mm	Extra charge	Colour price groups Alpine White (I)	GBP
WHIRLPOOL SYSTEM EXCLUSIVE BATHTUB					
AQUAMASSAGE BODY Extra charge for the whirlpool system. The price of the bathtub is not included. The system includes the waste and overflow fittings without filling function, visible parts in alpine white. For built-in bathtubs including leg set. System pre-assembled during manufacturing.	Whirl order form at www.kaldewei.com		1.966,00	Available bathtub colours according to the colour chart for bathtubs. Prices for FPG I-IV for the selected model.	
PRECONFIGURED WHIRLPOOL SETS* (WHIRLPOOL SYSTEM INCLUDING BATHTUB)			PRICE	alpine white (I)	
SANIFORM PLUS with AQUAMASSAGE BODY	361-1 111660750001	1500 x 700 x 400			2,066.00
	363-1 111860750001	1700 x 700 x 400			1,997.00
	373-1 112660750001	1700 x 750 x 400			1,982.00
CAYONO with AQUAMASSAGE BODY	749 274960750001	1700 x 700 x 400			2,153.00
	750 275060750001	1700 x 750 x 400			2,129.00
CLASSIC DUO with AQUAMASSAGE BODY	107 290760750001	1700 x 750 x 420			2,397.00
	110 291060750001	1800 x 800 x 420			2,537.00
PURO DUO with AQUAMASSAGE BODY	663 266360750001	1700 x 750 x 410			2,584.00
	664 266460750001	1800 x 800 x 410			2,625.00
CENTRO DUO OVAL with AQUAMASSAGE BODY	127-1 282760750001	1700 x 750 x 460			3,976.00
	128-1 282860750001	1800 x 800 x 460			4,551.00
ELLIPSO DUO OVAL with AQUAMASSAGE BODY	232 286260750001	1900 x 1000 x 440			4,587.00
OPTIONALLY: EQUIPMENT FOR WHIRLPOOL SYSTEMS AND PRECONFIGURED WHIRLPOOL SETS			PRICE	(I)	
BATHTUB WITH EASY-CLEAN FINISH	xxxxxxx3xxx		86.00		
WASTE AND OVERFLOW SET WITH WATER INLET (alpine white)	xxxx6076xxx				234.00
CHROME-PLATED VISIBLE PARTS (control panel always white glass)	xxxx6077xxx		98.50		
WASTE AND OVERFLOW SET WITH WATER INLET AND CHROME-PLATED VISIBLE PARTS (control panel always white glass)	xxxx6078xxx		332.50		
OPTIONALLY: ACCESSORIES FOR WHIRLPOOL SYSTEMS AND PRE-CONFIGURED WHIRLPOOL BATHTUB SETS			PRICE	(I)	
FRAMELESS INSPECTION FLAP WITH ALUMINIUM VENTILATION GRILLE (can be used from 150 x 150 mm to 500 x 1000 mm)	687272830000		• 241.50		
Disinfectant, 1000 ml	687676140000		• 106.50		

*Preconfigured whirlpool bathtubs; Right-hand version standard, Left-hand version available via order.



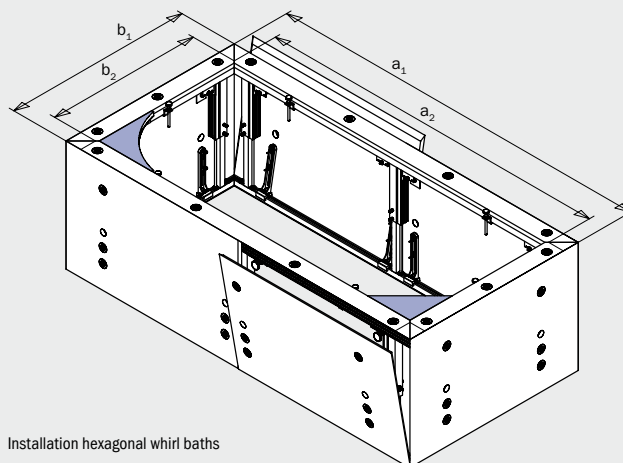
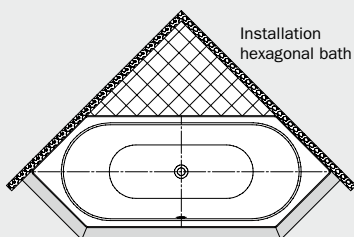
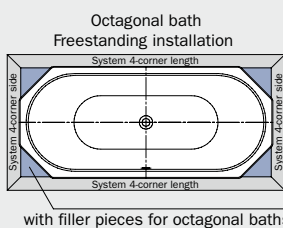
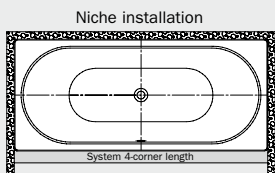
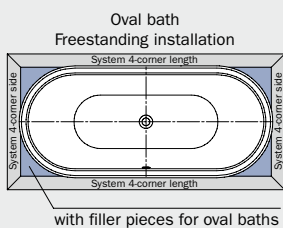
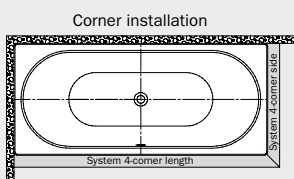
WELLNESS-SYSTEMS

MULTIVERSO PANELLING SYSTEM FOR WHIRL BATHS

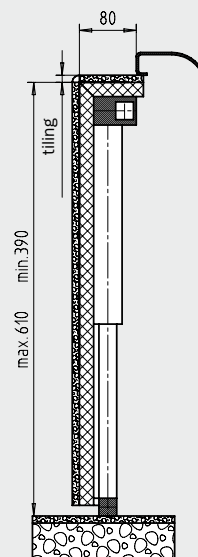
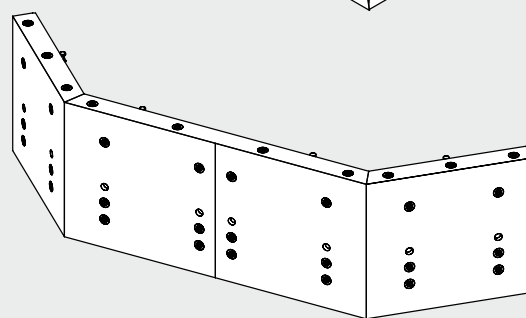
- perfectly matched to KALDEWEI whirl baths but can also be used for KALDEWEI baths without whirlpool systems
- surface for finishing with tiles or other materials
- with integrated ventilation
- speedy assembly and easy access to the whirl technology
- can be installed in a niche, corner, against the wall and freestanding



Installation Examples:



Installation hexagonal whirl baths



MULTIVERSO long section

Modell-Nr.		1500	1600	1700	1800	1900	2000
Length	a ₁ ; a ₂	1660; 1500	1760; 1600	1860; 1700	1960; 1800	2060; 1900	2160; 2000 mm
Installed height min.*		390	390	390	390	390	390 mm
Installed height max.*		610	610	610	610	610	610 mm
Panelling overlap		80	80	80	80	80	80 mm

MULTIVERSO Seitenteil

Modell-Nr.		700	750	800	900	1000
Width	b ₁ ; b ₂	860; 700	910; 750	960; 800	1060; 900	1160; 1000 mm
Installed height min.*		390	390	390	390	390 mm
Installed height max.*		610	610	610	610	610 mm
Panelling overlap		80	80	80	80	80 mm

*Installation higher without tiling (see drawing)

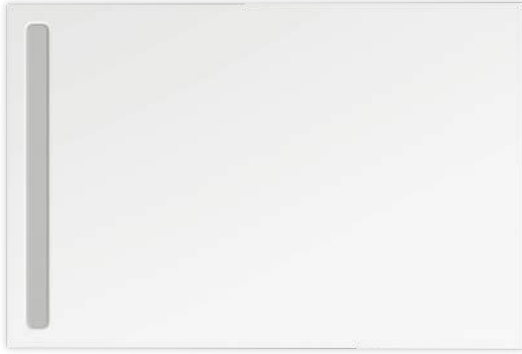
WELLNESS-SYSTEMS

MULTIVERSO PANELLING SYSTEM FOR WHIRL BATHS

MULTIVERSO panelling system for whirl baths	Model Order No.	GBP
rectangular whirlpool baths		
Long section	1500 550000010000	• 837.00
	1600 550000020000	• 837.00
	1700 550000030000	• 837.00
	1800 550000040000	• 837.00
	1900 550000050000	• 837.00
	2000 550000250000	• 837.00
Side section	700 550000060000	• 578.00
	750 550000070000	• 578.00
	800 550000080000	• 578.00
	900 550000090000	• 578.00
	1000 550000260000	• 578.00
Filler pieces for oval whirl baths		
Two long sections and two side sections are required for the panelling on oval baths; order in accordance with the external dimensions (see drawing left). The following filler pieces are also required, depending on the particular design: Set of 4 filler pieces for oval baths 750 mm wide: Mod. 127, CENTRO DUO OVAL; Mod. 113, CLASSIC DUO OVAL	550000110000	• 319.00/set
Set of 4 filler pieces for oval baths 800 mm wide: Mod. 128, CENTRO DUO OVAL; Mod. 951, VAIO DUO OVAL; Mod. 260/270, Mod. 111 CLASSIC DUO OVAL	550000120000	• 319.00/set
At least 1 long section and 1 side section are required for panelling the Centro Duo 1 l/r; order in accordance with the external dimensions. The following filler piece is also required: 1 filler piece for Mod. 129/130, CENTRO DUO 1 l/r 1 filler piece for Mod. 136/137, CENTRO DUO 1 l/r	550000220000 550000290000	• 99.00/set • 99.00/set
At least 1 long section and 2 side sections are required for panelling the CENTRO DUO 2; order in accordance with the external dimensions. The following filler pieces are also required: Set of 2 filler pieces for mod. 131, CENTRO DUO 2 Set of 2 filler pieces for mod. 135, CENTRO DUO 2	550000230000 550000300000	• 154.00/set • 154.00/set
Filler pieces for octagonal whirl baths		
At least 2 long sections and 2 side sections are required for panelling octagonal baths, in accordance with the external dimensions (see drawing left). The following non-design based filler pieces are also required: Set of 4 filler pieces for octagonal baths (all models)	550000100000	• 254.00/set
Complete sets for hexagonal whirl baths		
Complete for Mod. 952, VAIO DUO 6	550000160000	• 1,666.00
Complete for Mod. 958/959, VAIO 6/VAIO 6 STAR	550000150000	• 1,666.00
Complete sets for special forms		
Complete for Mod. 190 PLAZA DUO right	550000310000	• 1,666.00
Complete for Mod. 192 PLAZA DUO left	550000320000	• 1,666.00
Not suitable for ELLIPSO DUO OVAL.		

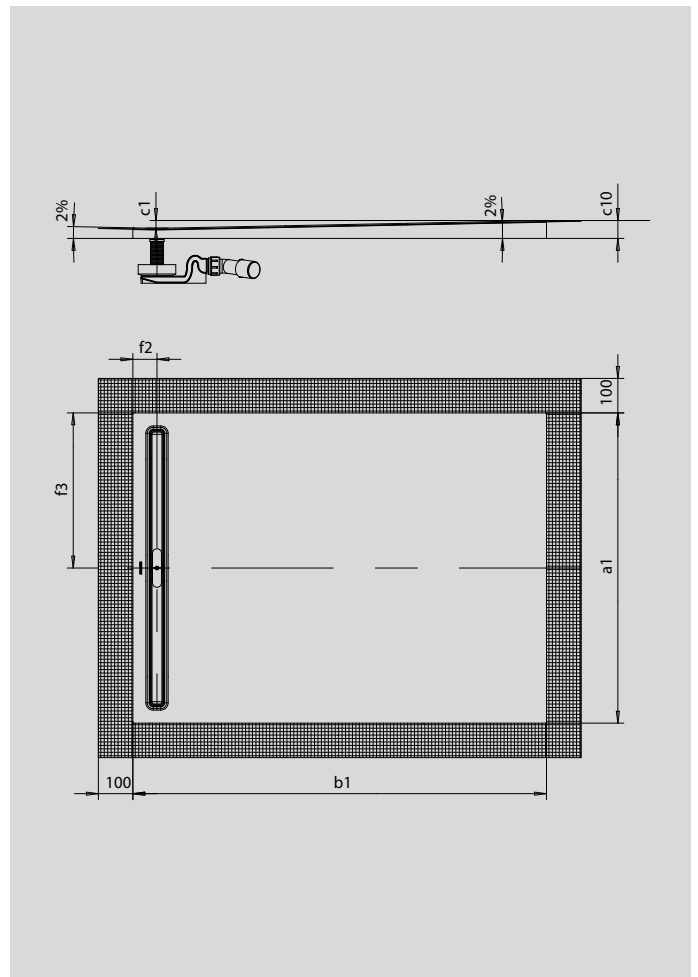
NEXSYS

- Absolutely floor-level shower surface made of KALDEWEI steel enamel
- Design: Absolutely flat surface - no inner contours for a generous standing area and a harmonious bathroom interior. Discreet waste channel with flush design cover
- Pre-assembled 4-in-1 system consisting of enamelled shower surface, waste channel, all-round sealing tape, slope support with counter slope between channel and wall. The system is completed by the desired waste fitting inc. hair catcher and an exclusive design cover from the optional extras
- Accessories included: Sound insulation tape
- Low total height from 84 mm (depending on size and waste fitting)



Similar illustration

Model	Total height				
	2612	2615	2617	2618	2619
KA 4121 max.	176	178	182	182	182
KA 4121 min.	106	108	112	112	112
KA 4122	86	88	92	92	92



ANTISLIP
SECURE

Model		2612	2615	2617	2618	2619
External length	a_1	900	1000	800	900	1000 mm
External width	b_1	900	1000	1200	1200	1200 mm
Depth inside	c_1	16	18	22	22	22 mm
Height with support	c_{10}	46	48	52	52	52 mm
Distance bath edge to centre of waste hole	$f_2; f_3$	70; 450	70; 500	70; 400	70; 450	70; 500 mm
Total height KA 4121, min.		106	108	112	112	112 mm
Total height KA 4121, max.		176	178	182	182	182 mm
Total height KA 4122		86	88	92	92	92 mm
Net weight		18	24	22	26	28 kg

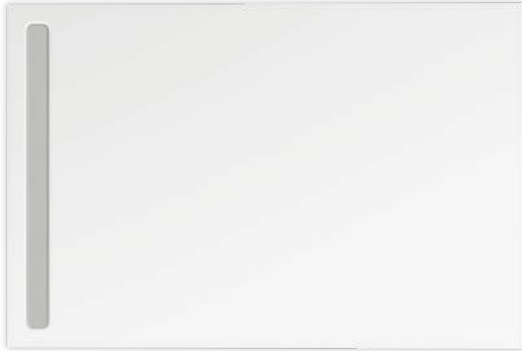
Subject to technical alterations, tolerances and errors. Similar illustration.

KALDEWEI

	Model Order No.	Dimensions mm	Colour price groups		GBP
			Alpine White (I)	Sanitary Colours (II, III)	Coord. Colours (IV)
NEXSYS	2612 41124630 ^{xxxx}	900 x 900 x 16	825.00	1,072.00	825.00
	2615 41154630 ^{xxxx}	1000 x 1000 x 18	849.00	1,103.00	849.00
	2617 41174630 ^{xxxx}	1200 x 800 x 22	912.00	1,184.00	912.00
	2618 41184630 ^{xxxx}	1200 x 900 x 22	912.00	1,184.00	912.00
	2619 41194630 ^{xxxx}	1200 x 1000 x 22	912.00	1,184.00	912.00
	2619 41194630 ^{xxxx}	1200 x 1000 x 22	912.00	1,184.00	912.00
OPTIONAL: KALDEWEI PERFECTION SURFACE FINISHES		PRICE	(I)	(II), (III)	(IV)
EXTRA CHARGE FOR EASY-CLEAN FINISH	xxxxxxx3xxx		82.00	82.00	82.00
ANTI-SLIP SECURE PLUS Standard-compliant slip resistance (Evaluation group B according to DIN 51097, R10 according to DIN 51130). Fired into the enamel – Slip resistant surface over the entire surface, matt finish only . Cannot be combined with easy-clean finish	xxxxxxx2xxx		without extra charge		without extra charge
REQUIRED: KALDEWEI PROFESSIONAL INFLOW/OUTFLOW TECHNOLOGY ●¹		PRICE	(I)	(II), (III)	(IV)
DESIGN COVER 4132 FOR SHOWERS WITH A LENGTH OF 800 MM brushed stainless steel polished stainless steel powder-coated in alpine white brushed red gold polished gold	687771230969 687771230986 687771230001 687771230955 687771230957	195.00 293.00 215.50 293.00 293.00			
DESIGN COVER 4133 FOR SHOWERS WITH A LENGTH OF 900 MM brushed stainless steel polished stainless steel powder-coated in alpine white brushed red gold polished gold	687771240969 687771240986 687771240001 687771240955 687771240957	195.00 293.00 215.50 293.00 293.00			
DESIGN COVER 4134 FOR SHOWERS WITH A LENGTH OF 1000 MM brushed red gold polished stainless steel powder-coated in alpine white brushed stainless steel polished gold	687771250955 687771250986 687771250001 687771250969 687771250957	293.00 293.00 215.50 195.00 293.00			
NEXSYS WASTE FITTING KA 4121 with hair catcher, water seal height 50 mm	KA 4121 687771210000	92.50			
NEXSYS WASTE FITTING KA 4122 ULTRA FLAT with hair catcher, water seal height 25 mm	KA 4122 687771220000	92.50			
OPTIONAL: KALDEWEI PROFESSIONAL INSTALLATION ●¹		PRICE	(I)	(II), (III)	(IV)
NEXSYS SLOPING SUPPORT ELEMENT 1160 mm long, left-hand option 1160 mm long, right-hand option 2000 mm long, left-hand option 2000 mm long, right-hand option	687676410969 687676420969 687676430969 687676440969	86.00 86.00 161.50 161.50			
SYSTEMBOARD NEXSYS only in combination with KA4121 Installation support: height adjustable feet with integrated sound insulation 900 x 900 1000 x 1000 1200 x 900 1200 x 800 1200 x 1000	584575570000 584575650000 584575600000 584575540000 584575660000	187.50 220.00 220.00 220.00 220.00			
OPTIONAL: KALDEWEI PROFESSIONAL WATERPROOF ●¹		PRICE	(I)	(II), (III)	(IV)
CUT PROTECTION TAPE 4,6M for shower surfaces ≤ 1000 x 1200 mm	689720570000	63.50			
OPTIONAL: ACCESSORY ●¹		PRICE	(I)	(II), (III)	(IV)
NEXSYS SOUND INSULATION for shower surfaces ≤ 1000 x 1200 mm consists of: sound insulation mat (10 mm thick), sound absorbing pad, PE film	687676180000	98.00			

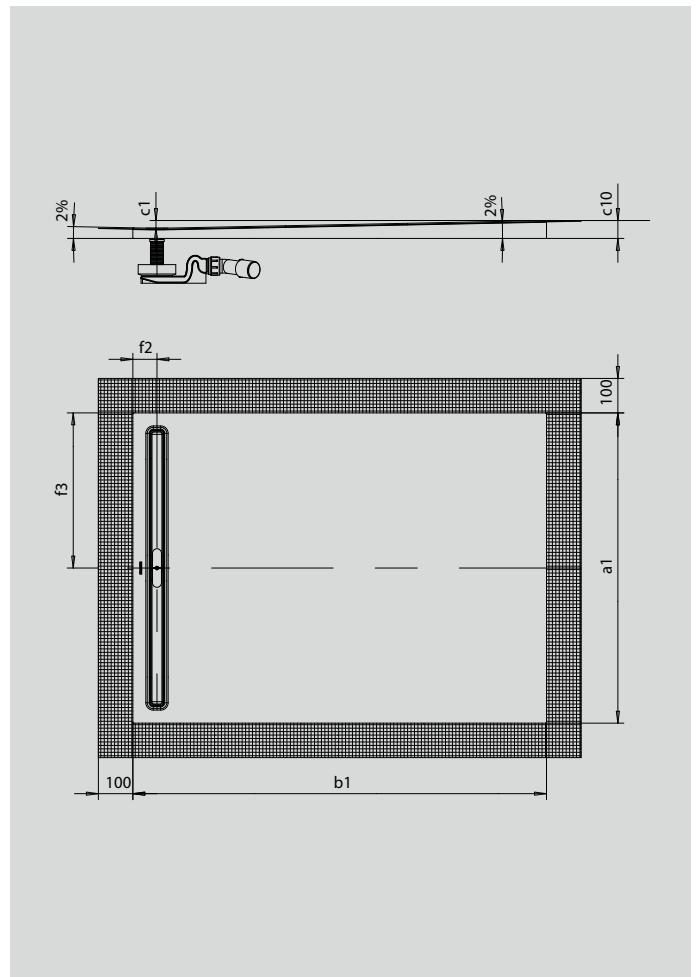
NEXSYS

- Absolutely floor-level shower surface made of KALDEWEI steel enamel
- Design: Absolutely flat surface – no inner contours for a generous standing area and a harmonious bathroom interior. Discreet waste channel with flush design cover
- Pre-assembled 4-in-1 system consisting of enamelled shower surface, waste channel, all-round sealing tape, slope support with counter slope between channel and wall. The system is completed by the desired waste fitting inc. hair catcher and an exclusive design cover from the optional extras
- Accessories included: Sound insulation tape
- Low total height from 84 mm (depending on size and waste fitting)



Similar illustration

Model	Total height				
	2610	2611	2613	2623	2624
KA 4121 max.	174	176	178	186	186
KA 4121 min.	104	106	108	116	116
KA 4122	84	86	88	96	96



ANTISLIP
SECURE

Model	2610	2611	2613	2623	2624
External length	a_1	800	800	800	1000 mm
External width	b_1	800	900	1000	1400 mm
Depth inside	c_1	14	16	18	26 mm
Height with support	c_{10}	44	46	48	56 mm
Distance bath edge to centre of waste hole	f_2, f_3	70; 400	70; 400	70; 400	70; 500 mm
Total height KA 4121, min.		104	106	108	116 mm
Total height KA 4121, max.		174	176	178	186 mm
Total height KA 4122		84	86	88	96 mm
Net weight		16	18	20	32 kg

Subject to technical alterations, tolerances and errors. Similar illustration.

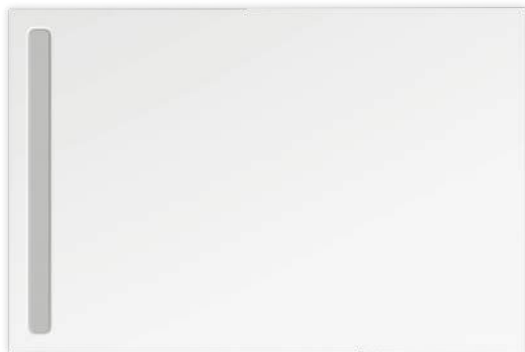
KALDEWEI

	Model Order No.	Dimensions mm	Colour price groups		GBP
			Alpine White (I)	Sanitary Colours (II, III)	Coord. Colours (IV)
NEXSYS	2610 41084630 ^{xxxx}	800 x 800 x 14	825.00	1,072.00	825.00
	2611 41094630 ^{xxxx}	900 x 800 x 16	825.00	1,072.00	825.00
	2613 41134630 ^{xxxx}	1000 x 800 x 18	849.00	1,103.00	849.00
	2623 41234630 ^{xxxx}	1400 x 900 x 26	1,034.00	1,344.00	1,034.00
	2624 41244630 ^{xxxx}	1400 x 1000 x 26	1,034.00	1,344.00	1,034.00
OPTIONAL: KALDEWEI PERFECTION SURFACE FINISHES		PRICE	(I)	(II), (III)	(IV)
EXTRA CHARGE FOR EASY-CLEAN FINISH	xxxxxxxx3xxx		82.00	82.00	82.00
ANTI-SLIP SECURE PLUS Standard-compliant slip resistance (Evaluation group B according to DIN 51097, R10 according to DIN 51130). Fired into the enamel – Slip resistant surface over the entire surface, matt finish only . Cannot be combined with easy-clean finish	xxxxxxxx2xxx		without extra charge		without extra charge
REQUIRED: KALDEWEI PROFESSIONAL INFLOW/OUTFLOW TECHNOLOGY ●¹		PRICE	(I)	(II), (III)	(IV)
DESIGN COVER 4132 FOR SHOWERS WITH A LENGTH OF 800 MM brushed stainless steel polished stainless steel powder-coated in alpine white brushed red gold polished gold	687771230969 687771230986 687771230001 687771230955 687771230957	195.00 293.00 215.50 293.00 293.00			
DESIGN COVER 4133 FOR SHOWERS WITH A LENGTH OF 900 MM brushed stainless steel polished stainless steel powder-coated in alpine white brushed red gold polished gold	687771240969 687771240986 687771240001 687771240955 687771240957	195.00 293.00 215.50 293.00 293.00			
DESIGN COVER 4134 FOR SHOWERS WITH A LENGTH OF 1000 MM brushed stainless steel polished stainless steel powder-coated in alpine white brushed red gold polished gold	687771250969 687771250986 687771250001 687771250955 687771250957	195.00 293.00 215.50 293.00 293.00			
NEXSYS WASTE FITTING KA 4121 with hair catcher, water seal height 50 mm	KA 4121 687771210000	92.50			
NEXSYS WASTE FITTING KA 4122 ULTRA FLAT with hair catcher, water seal height 25 mm	KA 4122 687771220000	92.50			
OPTIONAL: KALDEWEI PROFESSIONAL INSTALLATION ●¹		PRICE	(I)	(II), (III)	(IV)
NEXSYS SLOPING SUPPORT ELEMENT 1160 mm long, left-hand option 1160 mm long, right-hand option 2000 mm long, left-hand option 2000 mm long, right-hand option	687676410969 687676420969 687676430969 687676440969	86.00 86.00 161.50 161.50			
SYSTEMBOARD NEXSYS only in combination with KA4121 Installation support: height adjustable feet with integrated sound insulation 800 x 800 900 x 800 1000 x 800 1400 x 900 1400 x 1000	584575510000 584575520000 584575530000 584575620000 584575670000	187.50 187.50 220.00 286.00 286.00			
OPTIONAL: KALDEWEI PROFESSIONAL WATERPROOF ●¹		PRICE	(I)	(II), (III)	(IV)
CUT PROTECTION TAPE 4,6M for shower surfaces ≤ 1000 x 1200 mm	689720570000	63.50			
CUT PROTECTION TAPE 6,6M for shower surfaces > 1000 x 1200 mm	689720580000	91.50			
OPTIONAL: ACCESSORY ●¹		PRICE	(I)	(II), (III)	(IV)
NEXSYS SOUND INSULATION for shower surfaces ≤ 1000 x 1200 mm consists of: sound insulation mat (10 mm thick), sound absorbing pad, PE film	687676180000	98.00			
NEXSYS SOUND INSULATION for shower surfaces > 1000 x 1200 mm consists of: sound insulation mat (10 mm thick), sound absorbing pad, PE film	687676190000	131.50			



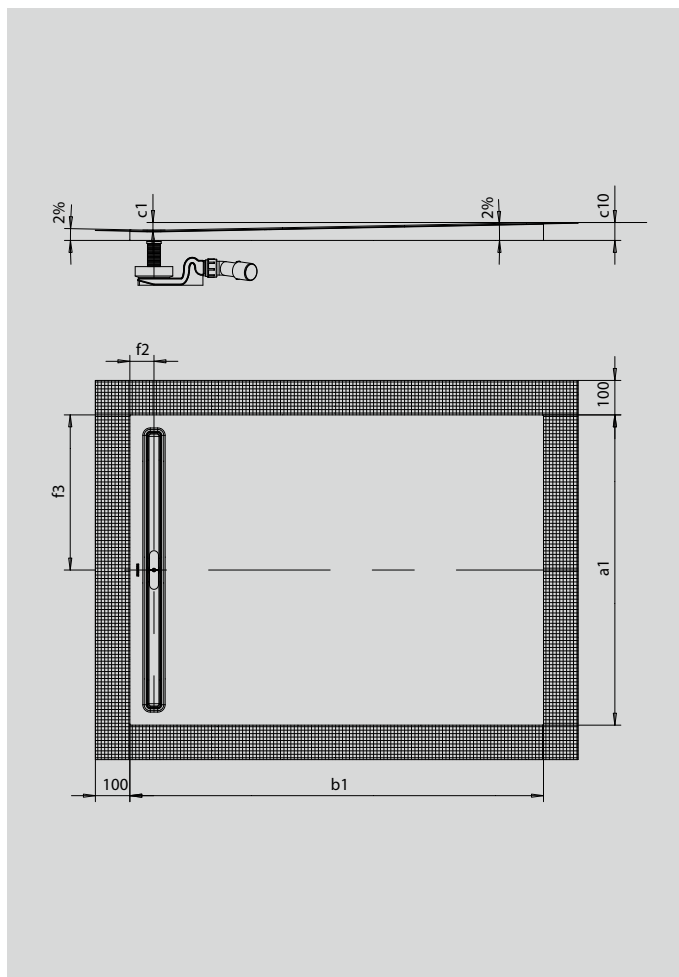
NEXSYS

- Absolutely floor-level shower surface made of KALDEWEI steel enamel
- Design: Absolutely flat surface - no inner contours for a generous standing area and a harmonious bathroom interior. Discreet waste channel with flush design cover
- Pre-assembled 4-in-1 system consisting of enamelled shower surface, waste channel, all-round sealing tape, slope support with counter slope between channel and wall. The system is completed by the desired waste fitting inc. hair catcher and an exclusive design cover from the optional extras
- Accessories included: Sound insulation tape
- Low total height from 84 mm (depending on size and waste fitting)



Similar illustration

Model	Total height				
	2614	2616	2620	2621	2626
KA 4121 max.	178	180	182	184	190
KA 4121 min.	108	110	112	114	120
KA 4122	88	90	92	94	100



ANTISLIP
SECURE

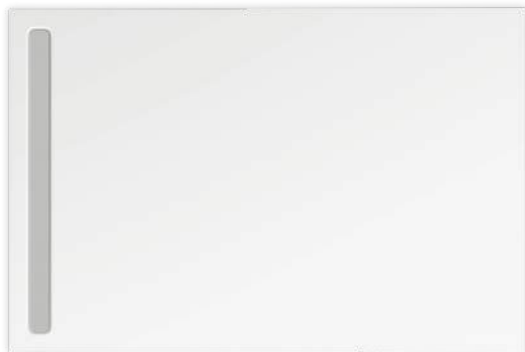
Model		2614	2616	2620	2621	2626
External length	a_1	900	900	1200	900	900 mm
External width	b_1	1000	1100	1200	1300	1600 mm
Depth inside	c_1	18	20	22	24	30 mm
Height with support	c_{10}	48	50	52	54	60 mm
Distance bath edge to centre of waste hole	$f_2; f_3$	70; 450	70; 450	70; 600	70; 450	70; 450 mm
Total height KA 4121, min.		108	110	112	114	120 mm
Total height KA 4121, max.		178	180	182	184	190 mm
Total height KA 4122		88	90	92	94	100 mm
Net weight		22	24	35	29	34 kg

	Model Order No.	Dimensions mm	Colour price groups			GBP
			Alpine White (I)	Sanitary Colours (II, III)	Coord. Colours (IV)	
NEXSYS	2614 41144630 ^{xxxx}	1000 x 900 x 18	849.00	1,103.00	849.00	
	2616 41164630 ^{xxxx}	1100 x 900 x 20	912.00	1,184.00	912.00	
	2620 41204630 ^{xxxx}	1200 x 1200 x 22	912.00	1,184.00	912.00	
	2621 41214630 ^{xxxx}	1300 x 900 x 24	1,034.00	1,344.00	1,034.00	
	2626 41264630 ^{xxxx}	1600 x 900 x 30	1,159.00	1,506.00	1,159.00	
OPTIONAL: KALDEWEI PERFECTION SURFACE FINISHES		PRICE	(I)	(II), (III)	(IV)	
EXTRA CHARGE FOR EASY-CLEAN FINISH	xxxxxxx3xxx		82.00	82.00	82.00	
ANTI-SLIP SECURE PLUS Standard-compliant slip resistance (Evaluation group B according to DIN 51097, R10 according to DIN 51130). Fired into the enamel – Slip resistant surface over the entire surface, matt finish only . Cannot be combined with easy-clean finish	xxxxxxx2xxx		without extra charge		without extra charge	
REQUIRED: KALDEWEI PROFESSIONAL INFLOW/OUTFLOW TECHNOLOGY ●¹		PRICE	(I)	(II), (III)	(IV)	
DESIGN COVER 4133 FOR SHOWERS WITH A LENGTH OF 900 MM brushed stainless steel polished stainless steel powder-coated in alpine white brushed red gold polished gold	687771240969 687771240986 687771240001 687771240955 687771240957	195.00 293.00 215.50 293.00 293.00				
DESIGN COVER 4136 FOR SHOWERS WITH A LENGTH OF 1200 MM brushed stainless steel polished stainless steel powder-coated in alpine white brushed red gold polished gold	687771280969 687771280986 687771280001 687771280955 687771280957	195.00 293.00 215.50 293.00 293.00				
NEXSYS WASTE FITTING KA 4121 with hair catcher, water seal height 50 mm	KA 4121 687771210000	92.50				
NEXSYS WASTE FITTING KA 4122 ULTRA FLAT with hair catcher, water seal height 25 mm	KA 4122 687771220000	92.50				
OPTIONAL: KALDEWEI PROFESSIONAL INSTALLATION ●¹		PRICE	(I)	(II), (III)	(IV)	
NEXSYS SLOPING SUPPORT ELEMENT 1160 mm long, left-hand option 1160 mm long, right-hand option 2000 mm long, left-hand option 2000 mm long, right-hand option	687676410969 687676420969 687676430969 687676440969	86.00 86.00 161.50 161.50				
SYSTEMBOARD NEXSYS only in combination with KA4121 Installation support: height adjustable feet with integrated sound insulation 1000 x 900 1100 x 900 1200 x 1200 1300 x 900 1600 x 900	584575580000 584575590000 584575690000 584575610000 584575630000	220.00 220.00 220.00 286.00 286.00				
OPTIONAL: KALDEWEI PROFESSIONAL WATERPROOF ●¹		PRICE	(I)	(II), (III)	(IV)	
CUT PROTECTION TAPE 4,6M for shower surfaces ≤ 1000 x 1200 mm	689720570000	63.50				
CUT PROTECTION TAPE 6,6M for shower surfaces > 1000 x 1200 mm	689720580000	91.50				
OPTIONAL: ACCESSORY ●¹		PRICE	(I)	(II), (III)	(IV)	
NEXSYS SOUND INSULATION for shower surfaces ≤ 1000 x 1200 mm consists of: sound insulation mat (10 mm thick), sound absorbing pad, PE film	687676180000	98.00				
NEXSYS SOUND INSULATION for shower surfaces > 1000 x 1200 mm consists of: sound insulation mat (10 mm thick), sound absorbing pad, PE film	687676190000	131.50				



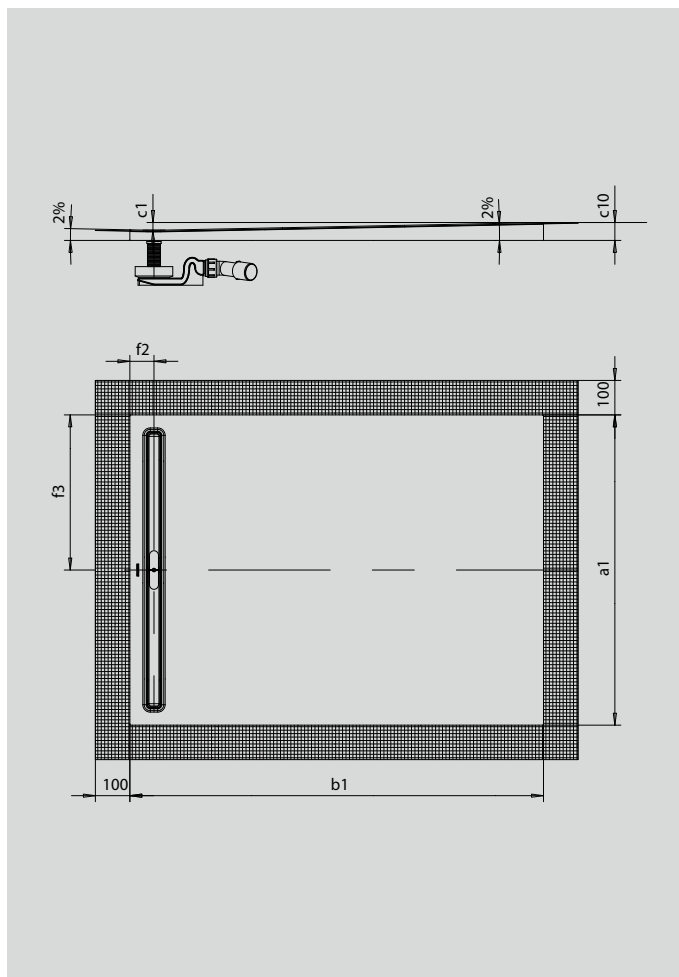
NEXSYS

- Absolutely floor-level shower surface made of KALDEWEI steel enamel
- Design: Absolutely flat surface – no inner contours for a generous standing area and a harmonious bathroom interior. Discreet waste channel with flush design cover
- Pre-assembled 4-in-1 system consisting of enamelled shower surface, waste channel, all-round sealing tape, slope support with counter slope between channel and wall. The system is completed by the desired waste fitting inc. hair catcher and an exclusive design cover from the optional extras
- Accessories included: Sound insulation tape
- Low total height from 84 mm (depending on size and waste fitting)



Similar illustration

Model	Total height				
	2622	2625	2627	2628	2629
KA 4121 max.	190	190	192	192	192
KA 4121 min.	120	120	122	122	122
KA 4122	96	100	100	102	102



ANTISLIP
SECURE ⁺

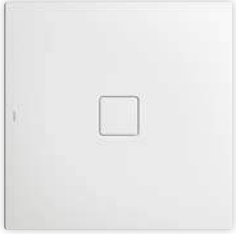
Model	2622	2625	2627	2628	2629	
External length	a ₁	800	800	1000	750	900 mm
External width	b ₁	1400	1600	1600	1700	1700 mm
Depth inside	c ₁	26	30	30	32	32 mm
Height with support	c ₁₀	56	60	60	62	62 mm
Distance bath edge to centre of waste hole	f ₂ ; f ₃	70; 400	70; 400	70; 500	70; 375	70; 450 mm
Total height KA 4121, min.		116	120	120	122	122 mm
Total height KA 4121, max.		186	190	190	192	192 mm
Total height KA 4122		96	100	100	102	102 mm
Net weight		27	31	39	31	37 kg

	Model Order No.	Dimensions mm	Colour price groups		GBP
			Alpine White (I)	Sanitary Colours (II, III)	Coord. Colours (IV)
NEXSYS	2622 4122 4630 xxxx	1400 x 800 x 26	1,034.00	1,344.00	1,034.00
	2625 4125 4630 xxxx	1600 x 800 x 30	1,159.00	1,506.00	1,159.00
	2627 4127 4630 xxxx	1600 x 1000 x 30	1,159.00	1,506.00	1,159.00
	2628 4128 4630 xxxx	1700 x 750 x 32	1,159.00	1,506.00	1,159.00
	2629 4129 4630 xxxx	1700 x 900 x 32	1,159.00	1,506.00	1,159.00
OPTIONAL: KALDEWEI PERFECTION SURFACE FINISHES		PRICE	(I)	(II), (III)	(IV)
EXTRA CHARGE FOR EASY-CLEAN FINISH	xxxxxxx3xxx		82.00	82.00	82.00
ANTI-SLIP SECURE PLUS Standard-compliant slip resistance (Evaluation group B according to DIN 51097, R10 according to DIN 51130). Fired into the enamel – Slip resistant surface over the entire surface, matt finish only . Cannot be combined with easy-clean finish	xxxxxxx2xxx		without extra charge		without extra charge
REQUIRED: KALDEWEI PROFESSIONAL INFLOW/OUTFLOW TECHNOLOGY ●¹		PRICE	(I)	(II), (III)	(IV)
DESIGN COVER 4131 FOR SHOWERS WITH A LENGTH OF 750 MM brushed stainless steel polished stainless steel powder-coated in alpine white brushed red gold polished gold	687771260969 687771260986 687771260001 687771260955 687771260957	195.00 293.00 215.50 293.00 293.00			
DESIGN COVER 4132 FOR SHOWERS WITH A LENGTH OF 800 MM brushed stainless steel polished stainless steel powder-coated in alpine white brushed red gold polished gold	687771230969 687771230986 687771230001 687771230955 687771230957	195.00 293.00 215.50 293.00 293.00			
DESIGN COVER 4133 FOR SHOWERS WITH A LENGTH OF 900 MM brushed stainless steel polished stainless steel powder-coated in alpine white brushed red gold polished gold	687771240969 687771240986 687771240001 687771240955 687771240957	195.00 293.00 215.50 293.00 293.00			
DESIGN COVER 4134 FOR SHOWERS WITH A LENGTH OF 1000 MM brushed stainless steel polished stainless steel powder-coated in alpine white brushed red gold polished gold	687771250969 687771250986 687771250001 687771250955 687771250957	195.00 293.00 215.50 293.00 293.00			
NEXSYS WASTE FITTING KA 4121 with hair catcher, water seal height 50 mm	KA 4121 687771210000	92.50			
NEXSYS WASTE FITTING KA 4122 ULTRA FLAT with hair catcher, water seal height 25 mm	KA 4122 687771220000	92.50			
OPTIONAL: KALDEWEI PROFESSIONAL INSTALLATION ●¹		PRICE	(I)	(II), (III)	(IV)
NEXSYS SLOPING SUPPORT ELEMENT 1160 mm long, left-hand option 1160 mm long, right-hand option 2000 mm long, left-hand option 2000 mm long, right-hand option	687676410969 687676420969 687676430969 687676440969	86.00 86.00 161.50 161.50			
SYSTEMBOARD NEXSYS only in combination with KA4121 Installation support: height adjustable feet with integrated sound insulation 1400 x 800 1600 x 800 1600 x 1000 1700 x 750 1700 x 900	584575550000 584575560000 584575680000 584575500000 584575640000	286.00 286.00 286.00 286.00 286.00			
OPTIONAL: KALDEWEI PROFESSIONAL WATERPROOF ●¹		PRICE	(I)	(II), (III)	(IV)
CUT PROTECTION TAPE 6,6M for shower surfaces > 1000 x 1200 mm	689720580000	91.50			
OPTIONAL: ACCESSORY ●¹		PRICE	(I)	(II), (III)	(IV)
NEXSYS SOUND INSULATION for shower surfaces > 1000 x 1200 mm consists of: sound insulation mat (10 mm thick), sound absorbing pad, PE film	687676190000	131.50			



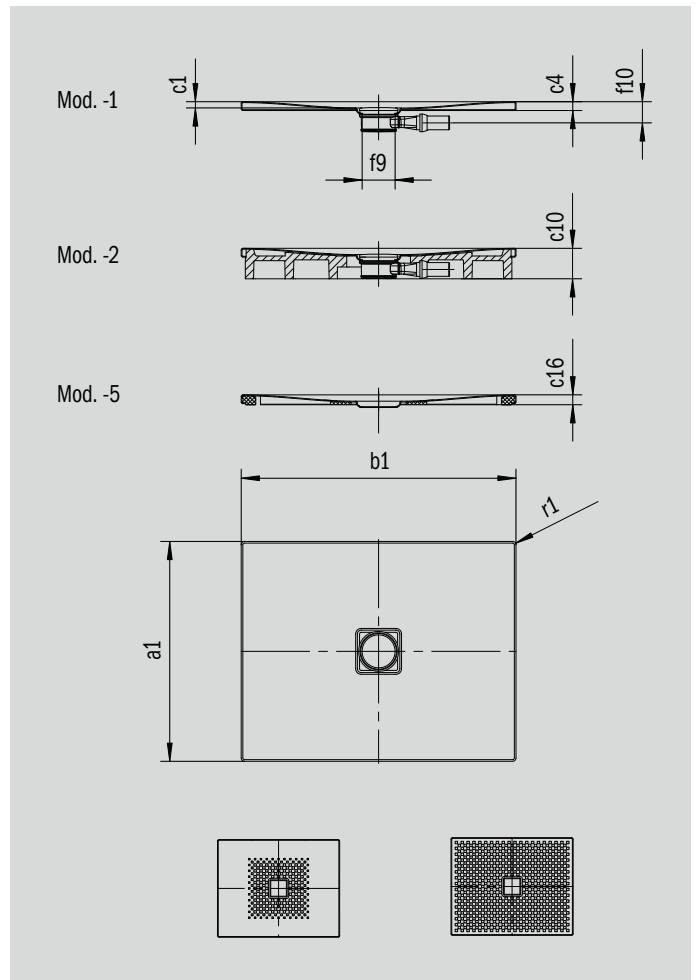
CONOFLAT

- straightlined, purist design
- high level of comfort thanks to the flat enamelled waste cover that is flush with the shower area
- can be installed to be absolutely flush with the floor
- ideally complements the CONODUO bath
- designed by Sottsass Associati
- made of KALDEWEI steel enamel



Similar illustration

Model-1	Total height			Fitting height		
	780	852	853	780	852	853
KA 120 horizontal	106	106	106	83	83	83
KA 120 flat	86	86	86	63	63	63
KA 120 vertical	49	49	49	83	83	83
Model-2	110	110	110			
Model-5	780	852	853	780	852	853
KA 120 horizontal	106	106	106	83	83	83
KA 120 flat	86	86	86	63	63	63
KA 120 vertical	37	37	37	83	83	83



ANTISLIP
SECURE⁺

Model		852	853	780
External length	a_1	800	750	800 mm
External width	b_1	800	900	900 mm
Depth inside	c_1	23	23	23 mm
Height of rim	c_4	32	32	32 mm
Height with support	c_{10}	110	110	110 mm
Height with low-profile support	c_{16}	37	37	37 mm
Diameter of waste hole	f_9	Ø 120	Ø 120	Ø 120 mm
Bottle trap connection height	f_{10}	76	76	76 mm
External radius	r_1	12	12	12 mm
Net weight		17	18	18 kg
Anti-slip		492 x 492	492 x 492	492 x 492 mm
Full anti-slip		740 x 740	692 x 836	740 x 836 mm
ANTI-SLIP SECURE PLUS		full base	full base	full base

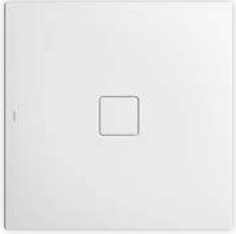
Subject to technical alterations, tolerances and errors. Similar illustration.

KALDEWEI

	Drain Hole	Model Order No.	Dimensions mm	Colour price groups			GBP
				Alpine White (I)	Sanitary Colours (II, III)	Coord. Colours (IV)	
CONOFLAT	Ø 120 mm	852-1 4668 0001 xxxx	800 x 800 x 23	692.00	901.00	692.00	
		853-1 4669 0001 xxxx	900 x 750 x 23	785.00	1,020.00	785.00	
		780-1 4650 0001 xxxx	900 x 800 x 23	785.00	1,020.00	785.00	
CONOFLAT WITH SUPPORT Total height with support: 110 mm	Ø 120 mm	852-2 4668 4804 xxxx	800 x 800 x 23	789.00	1,024.00	789.00	
		853-2 4669 4804 xxxx	900 x 750 x 23	895.00	1,161.00	895.00	
		780-2 4650 4804 xxxx	900 x 800 x 23	895.00	1,161.00	895.00	
CONOFLAT WITH LOW PROFILE SUPPORT	Ø 120 mm	852-5 4668 4798 xxxx	800 x 800 x 23	735.00	955.00	735.00	
		853-5 4669 4798 xxxx	900 x 750 x 23	825.00	1,074.00	825.00	
		780-5 4650 4798 xxxx	900 x 800 x 23	825.00	1,074.00	825.00	
OPTIONAL: KALDEWEI PERFECTION SURFACE FINISHES			PRICE	(I)	(II), (III)	(IV)	
EXTRA CHARGE FOR EASY-CLEAN FINISH		xxxxxxx3xxx		82.00	82.00	82.00	
ANTI-SLIP SECURE PLUS Standard-compliant slip resistance (Evaluation group B according to DIN 51097, R10 according to DIN 51130). Fired into the enamel – Slip resistant surface over the entire surface, matt finish only . Cannot be combined with easy-clean finish		xxxxxxx2xxx		without extra charge		without extra charge	
FULL ANTI-SLIP Fired into the enamel – Slip resistant pattern over almost the entire surface				236.00	236.00		
PARTIAL ANTI-SLIP Fired into the enamel – Slip resistant pattern over part of the surface				117.50	117.50		
REQUIRED: KALDEWEI PROFESSIONAL INFLOW/OUTFLOW TECHNOLOGY ●¹			PRICE	(I)	(II), (III)	(IV)	
WASTE FITTING KA 120 HORIZONTAL without waste cover, hair catcher included. Universally applicable for FR and ESR.		4106 6877 7253 0000	107.50				
WASTE FITTING KA 120 FLAT without waste cover, hair catcher included. Universally applicable for FR and ESR.		4107 6877 7251 0000	127.00				
WASTE FITTING KA 120 VERTICAL without waste cover, hair catcher included. Universally applicable for FR and ESR.		4108 6877 7252 0000	146.50				
WASTE COVER KA 120 FOR CONOFLAT enamelled enamelled ANTI-SLIP SECURE PLUS		6877 7257 xxxx 6877 7257 2xxx		39.50 39.50	78.50	39.50 39.50	
OPTIONAL: KALDEWEI PROFESSIONAL INSTALLATION ●¹			PRICE	(I)	(II), (III)	(IV)	
ESR FLOOR LEVEL INSTALLATION SYSTEM (FOR -1 MODELS) 800 x 800 (actual installation size ESR 828 x 828) 900 x 750 (actual installation size ESR 928 x 778) 900 x 800 (actual installation size ESR 928 x 828)		6400 0011 0000 6400 0013 0000 6400 0014 0000	281.00 281.00 281.00				
SHOWER TRAY FOOT FRAME FR 5300 Size adjustment up to 900 x 900		5300 0012 0000	113.50				
OPTIONAL: KALDEWEI PROFESSIONAL WATERPROOF ●¹			PRICE	(I)	(II), (III)	(IV)	
SEALING KIT FLOOR-LEVEL		6897 2049 0000	143.50				
SEALING KIT FLEX		6897 2052 0000	48.50				
CUT PROTECTION TAPE 4,6M for shower surfaces ≤ 1000 x 1200 mm		6897 2057 0000	63.50				
OPTIONAL: KALDEWEI SILENCE PLUS ●¹			PRICE	(I)	(II), (III)	(IV)	
SHOWER TRAY SOUND ABSORBING SET DW-ADS		6876 7572 0000	34.50				

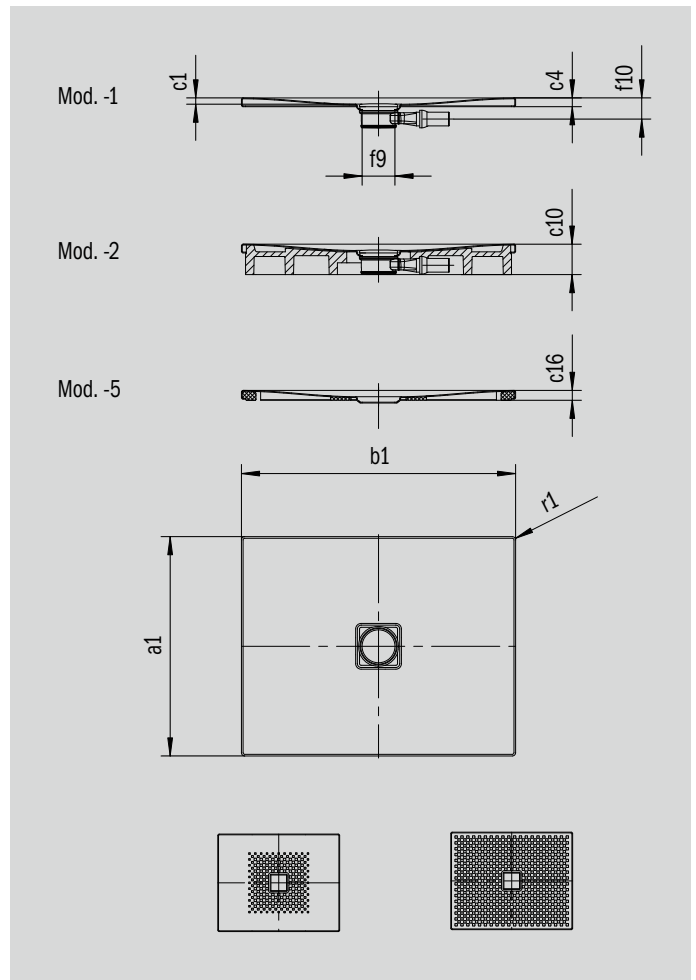
CONOFLAT

- straightlined, purist design
- high level of comfort thanks to the flat enamelled waste cover that is flush with the shower area
- can be installed to be absolutely flush with the floor
- ideally complements the CONODUO bath
- designed by Sottsass Associati
- made of KALDEWEI steel enamel



Similar illustration

Model-1	Total height			Fitting height		
	781	783	784	781	783	784
KA 120 horizontal	106	106	106	83	83	83
KA 120 flat	86	86	86	63	63	63
KA 120 vertical	49	49	49	83	83	83
Model-2	110	110	110			
Model-5	781	783	784	781	783	784
KA 120 horizontal	106	106	106	83	83	83
KA 120 flat	86	86	86	63	63	63
KA 120 vertical	37	37	37	83	83	83



ANTISLIP
SECURE⁺

Model		783	781	784
External length	a_1	900	800	900 mm
External width	b_1	900	1000	1000 mm
Depth inside	c_1	23	23	23 mm
Height of rim	c_4	32	32	32 mm
Height with support	c_{10}	110	110	110 mm
Height with low-profile support	c_{16}	37	37	37 mm
Diameter of waste hole	f_9	Ø 120	Ø 120	Ø 120 mm
Bottle trap connection height	f_{10}	76	76	76 mm
External radius	r_1	12	12	12 mm
Net weight		21	20	23 kg
Anti-slip		492 x 492	492 x 492	492 x 492 mm
Full anti-slip		836 x 836	740 x 932	836 x 932 mm
ANTI-SLIP SECURE PLUS		full base	full base	full base

Subject to technical alterations, tolerances and errors. Similar illustration.

KALDEWEI

	Drain Hole	Model Order No.	Dimensions mm	Colour price groups			GBP
				Alpine White (I)	Sanitary Colours (II, III)	Coord. Colours (IV)	
CONOFLAT	Ø 120 mm	783-1 46530001xxxx	900 x 900 x 23	692.00	901.00	692.00	
		781-1 46510001xxxx	1000 x 800 x 23	839.00	1,091.00	839.00	
		784-1 46540001xxxx	1000 x 900 x 23	839.00	1,091.00	839.00	
CONOFLAT WITH SUPPORT Total height with support: 110 mm	Ø 120 mm	783-2 46534804xxxx	900 x 900 x 23	789.00	1,024.00	789.00	
		781-2 46514804xxxx	1000 x 800 x 23	966.00	1,257.00	966.00	
		784-2 46544804xxxx	1000 x 900 x 23	966.00	1,257.00	966.00	
CONOFLAT WITH LOW PROFILE SUPPORT	Ø 120 mm	783-5 46534798xxxx	900 x 900 x 23	735.00	955.00	735.00	
		781-5 46514798xxxx	1000 x 800 x 23	881.00	1,143.00	881.00	
		784-5 46544798xxxx	1000 x 900 x 23	881.00	1,143.00	881.00	
OPTIONAL: KALDEWEI PERFECTION SURFACE FINISHES			PRICE	(I)	(II), (III)	(IV)	
EXTRA CHARGE FOR EASY-CLEAN FINISH		xxxxxxx3xxx		82.00	82.00	82.00	
ANTI-SLIP SECURE PLUS Standard-compliant slip resistance (Evaluation group B according to DIN 51097, R10 according to DIN 51130). Fired into the enamel – Slip resistant surface over the entire surface, matt finish only . Cannot be combined with easy-clean finish		xxxxxxx2xxx		without extra charge		without extra charge	
FULL ANTI-SLIP Fired into the enamel – Slip resistant pattern over almost the entire surface				236.00	236.00		
PARTIAL ANTI-SLIP Fired into the enamel – Slip resistant pattern over part of the surface				117.50	117.50		
REQUIRED: KALDEWEI PROFESSIONAL INFLOW/OUTFLOW TECHNOLOGY ●¹			PRICE	(I)	(II), (III)	(IV)	
WASTE FITTING KA 120 HORIZONTAL without waste cover, hair catcher included. Universally applicable for FR and ESR.		4106 687772530000	107.50				
WASTE FITTING KA 120 FLAT without waste cover, hair catcher included. Universally applicable for FR and ESR.		4107 687772510000	127.00				
WASTE FITTING KA 120 VERTICAL without waste cover, hair catcher included. Universally applicable for FR and ESR.		4108 687772520000	146.50				
WASTE COVER KA 120 FOR CONOFLAT enamelled enamelled ANTI-SLIP SECURE PLUS		68777257xxxx 687772572xxx		39.50 39.50	78.50	39.50 39.50	
OPTIONAL: KALDEWEI PROFESSIONAL INSTALLATION ●¹			PRICE	(I)	(II), (III)	(IV)	
ESR FLOOR LEVEL INSTALLATION SYSTEM (FOR -1 MODELS) 900 x 900 (actual installation size ESR 928 x 928) 1000 x 800 (actual installation size ESR 1028 x 828) 1000 x 900 (actual installation size ESR 1028 x 928)		640000150000 640000170000 640000180000	281.00 281.00 281.00				
SHOWER TRAY FOOT FRAME FR 5300 Size adjustment up to 900 x 900 Size adjustment up to 1200 x 1200		530000120000 530000130000	113.50 124.50				
CENTRAL SUPPORT SYSTEM MAS 5315 required for shower trays larger than 900 mm		688076990000	53.50				
OPTIONAL: KALDEWEI PROFESSIONAL WATERPROOF ●¹			PRICE	(I)	(II), (III)	(IV)	
SEALING KIT FLOOR-LEVEL		689720490000	143.50				
SEALING KIT FLEX		689720520000	48.50				
CUT PROTECTION TAPE 4,6M for shower surfaces ≤ 1000 x 1200 mm		689720570000	63.50				
OPTIONAL: KALDEWEI SILENCE PLUS ●¹			PRICE	(I)	(II), (III)	(IV)	
SHOWER TRAY SOUND ABSORBING SET DW-ADS		687675720000	34.50				

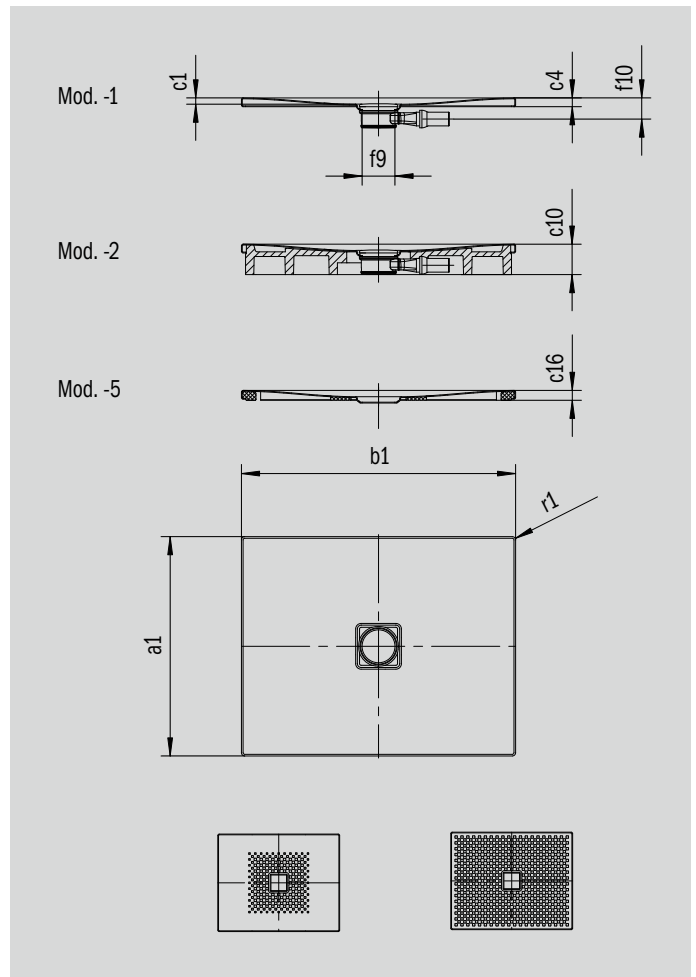
CONOFLAT

- straightlined, purist design
- high level of comfort thanks to the flat enamelled waste cover that is flush with the shower area
- can be installed to be absolutely flush with the floor
- ideally complements the CONODUO bath
- designed by Sottsass Associati
- made of KALDEWEI steel enamel



Similar illustration

Model-1	Total height			Fitting height		
	786	787	788	786	787	788
KA 120 horizontal	106	106	106	83	83	83
KA 120 flat	86	86	86	63	63	63
KA 120 vertical	49	49	49	83	83	83
Model-2	110	110	110			
Model-5	786	787	788	786	787	788
KA 120 horizontal	106	106	106	83	83	83
KA 120 flat	86	86	86	63	63	63
KA 120 vertical	37	37	37	83	83	83



ANTISLIP
SECURE⁺

Model		786	787	788
External length	a_1	1000	800	900 mm
External width	b_1	1000	1100	1100 mm
Depth inside	c_1	23	23	23 mm
Height of rim	c_4	32	32	32 mm
Height with support	c_{10}	110	110	110 mm
Height with low-profile support	c_{16}	37	37	37 mm
Diameter of waste hole	f_9	Ø 120	Ø 120	Ø 120 mm
Bottle trap connection height	f_{10}	76	76	76 mm
External radius	r_1	12	12	12 mm
Net weight		26	23	25 kg
Anti-slip		492 x 492	492 x 492	492 x 492 mm
Full anti-slip		932 x 932	740 x 1028	836 x 1028 mm
ANTI-SLIP SECURE PLUS		full base	full base	full base

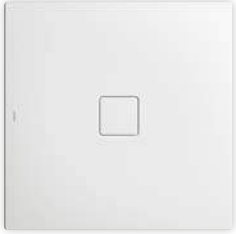
Subject to technical alterations, tolerances and errors. Similar illustration.

KALDEWEI

	Drain Hole	Model Order No.	Dimensions mm	Colour price groups			GBP
				Alpine White (I)	Sanitary Colours (II, III)	Coord. Colours (IV)	
CONOFLAT	Ø 120 mm	786-1 46560001xxxx	1000 x 1000 x 23	839.00	1,091.00	839.00	
		787-1 46570001xxxx	1100 x 800 x 23	895.00	1,161.00	895.00	
		788-1 46580001xxxx	1100 x 900 x 23	895.00	1,161.00	895.00	
CONOFLAT WITH SUPPORT Total height with support: 110 mm	Ø 120 mm	786-2 46564804xxxx	1000 x 1000 x 23	966.00	1,257.00	966.00	
		787-2 46574804xxxx	1100 x 800 x 23	1,026.00	1,332.00	1,026.00	
		788-2 46584804xxxx	1100 x 900 x 23	1,026.00	1,332.00	1,026.00	
CONOFLAT WITH LOW PROFILE SUPPORT	Ø 120 mm	786-5 46564798xxxx	1000 x 1000 x 23	881.00	1,143.00	881.00	
		787-5 46574798xxxx	1100 x 800 x 23	935.00	1,215.00	935.00	
		788-5 46584798xxxx	1100 x 900 x 23	935.00	1,215.00	935.00	
OPTIONAL: KALDEWEI PERFECTION SURFACE FINISHES			PRICE	(I)	(II), (III)	(IV)	
EXTRA CHARGE FOR EASY-CLEAN FINISH		xxxxxxx3xxx		82.00	82.00	82.00	
ANTI-SLIP SECURE PLUS Standard-compliant slip resistance (Evaluation group B according to DIN 51097, R10 according to DIN 51130). Fired into the enamel – Slip resistant surface over the entire surface, matt finish only . Cannot be combined with easy-clean finish		xxxxxxx2xxx		without extra charge		without extra charge	
FULL ANTI-SLIP Fired into the enamel – Slip resistant pattern over almost the entire surface				236.00	236.00		
PARTIAL ANTI-SLIP Fired into the enamel – Slip resistant pattern over part of the surface				117.50	117.50		
REQUIRED: KALDEWEI PROFESSIONAL INFLOW/OUTFLOW TECHNOLOGY ●¹			PRICE	(I)	(II), (III)	(IV)	
WASTE FITTING KA 120 HORIZONTAL without waste cover, hair catcher included. Universally applicable for FR and ESR.		4106 687772530000	107.50				
WASTE FITTING KA 120 FLAT without waste cover, hair catcher included. Universally applicable for FR and ESR.		4107 687772510000	127.00				
WASTE FITTING KA 120 VERTICAL without waste cover, hair catcher included. Universally applicable for FR and ESR.		4108 687772520000	146.50				
WASTE COVER KA 120 FOR CONOFLAT enamelled enamelled ANTI-SLIP SECURE PLUS		68777257xxxx 687772572xxx		39.50 39.50	78.50	39.50 39.50	
OPTIONAL: KALDEWEI PROFESSIONAL INSTALLATION ●¹			PRICE	(I)	(II), (III)	(IV)	
ESR FLOOR LEVEL INSTALLATION SYSTEM (FOR -1 MODELS) 1000 x 1000 (actual installation size ESR 1028 x 1028) 1100 x 800 (actual installation size ESR 1128 x 828) 1100 x 900 (actual installation size ESR 1128 x 928)		640000190000 640000200000 640000210000	281.00 281.00 281.00				
SHOWER TRAY FOOT FRAME FR 5300 Size adjustment up to 1200 x 1200		530000130000	124.50				
CENTRAL SUPPORT SYSTEM MAS 5315 required for shower trays larger than 900 mm		688076990000	53.50				
OPTIONAL: KALDEWEI PROFESSIONAL WATERPROOF ●¹			PRICE	(I)	(II), (III)	(IV)	
SEALING KIT FLOOR-LEVEL		689720490000	143.50				
SEALING KIT FLEX		689720520000	48.50				
CUT PROTECTION TAPE 4,6M for shower surfaces ≤ 1000 x 1200 mm		689720570000	63.50				
CUT PROTECTION TAPE 6,6M for shower surfaces > 1000 x 1200 mm		689720580000	91.50				
OPTIONAL: KALDEWEI SILENCE PLUS ●¹			PRICE	(I)	(II), (III)	(IV)	
SHOWER TRAY SOUND ABSORBING SET DW-ADS		687675720000	34.50				

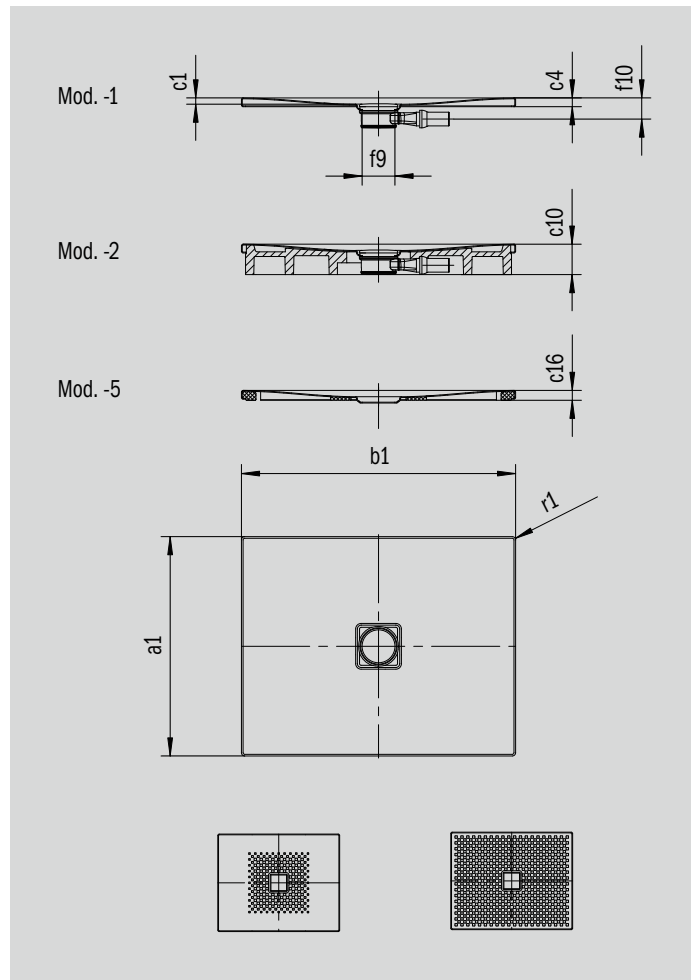
CONOFLAT

- straightlined, purist design
- high level of comfort thanks to the flat enamelled waste cover that is flush with the shower area
- can be installed to be absolutely flush with the floor
- ideally complements the CONODUO bath
- designed by Sottsass Associati
- made of KALDEWEI steel enamel



Similar illustration

Model-1	Total height			Fitting height		
	782	785	854	782	785	854
KA 120 horizontal	106	106	106	83	83	83
KA 120 flat	86	86	86	63	63	63
KA 120 vertical	49	49	49	83	83	83
Model-2	110	110	110			
Model-5	782	785	854	782	785	854
KA 120 horizontal	106	106	106	83	83	83
KA 120 flat	86	86	86	63	63	63
KA 120 vertical	37	37	37	83	83	83



ANTISLIP
SECURE⁺

Model		854	782	785
External length	a_1	1000	800	900 mm
External width	b_1	1100	1200	1200 mm
Depth inside	c_1	23	23	23 mm
Height of rim	c_4	32	32	32 mm
Height with support	c_{10}	110	110	110 mm
Height with low-profile support	c_{16}	37	37	37 mm
Diameter of waste hole	f_9	Ø 120	Ø 120	Ø 120 mm
Bottle trap connection height	f_{10}	76	76	76 mm
External radius	r_1	12	12	12 mm
Net weight		28	25	28 kg
Anti-slip		588 x 588	492 x 492	492 x 492 mm
Full anti-slip		932 x 1028	740 x 1124	836 x 1124 mm
ANTI-SLIP SECURE PLUS		full base	full base	full base

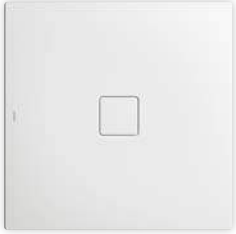
Subject to technical alterations, tolerances and errors. Similar illustration.

KALDEWEI

	Drain Hole	Model Order No.	Dimensions mm	Colour price groups			GBP
				Alpine White (I)	Sanitary Colours (II, III)	Coord. Colours (IV)	
CONOFLAT	Ø 120 mm	854-1 46700001xxxx	1100 x 1000 x 23	912.00	1,186.00	912.00	
		782-1 46520001xxxx	1200 x 800 x 23	964.00	1,251.00	964.00	
		785-1 46550001xxxx	1200 x 900 x 23	964.00	1,251.00	964.00	
CONOFLAT WITH SUPPORT Total height with support: 110 mm	Ø 120 mm	854-2 46704804xxxx	1100 x 1000 x 23	1,037.00	1,350.00	1,037.00	
		782-2 46524804xxxx	1200 x 800 x 23	1,105.00	1,436.00	1,105.00	
		785-2 46554804xxxx	1200 x 900 x 23	1,105.00	1,436.00	1,105.00	
CONOFLAT WITH LOW PROFILE SUPPORT	Ø 120 mm	854-5 46704798xxxx	1100 x 1000 x 23	955.00	1,240.00	955.00	
		782-5 46524798xxxx	1200 x 800 x 23	1,005.00	1,305.00	1,005.00	
		785-5 46554798xxxx	1200 x 900 x 23	1,005.00	1,305.00	1,005.00	
OPTIONAL: KALDEWEI PERFECTION SURFACE FINISHES			PRICE	(I)	(II), (III)	(IV)	
EXTRA CHARGE FOR EASY-CLEAN FINISH		xxxxxxx3xxx		82.00	82.00	82.00	
ANTI-SLIP SECURE PLUS Standard-compliant slip resistance (Evaluation group B according to DIN 51097, R10 according to DIN 51130). Fired into the enamel – Slip resistant surface over the entire surface, matt finish only . Cannot be combined with easy-clean finish		xxxxxxxxxxxx		without extra charge		without extra charge	
FULL ANTI-SLIP Fired into the enamel – Slip resistant pattern over almost the entire surface				236.00	236.00		
PARTIAL ANTI-SLIP Fired into the enamel – Slip resistant pattern over part of the surface				117.50	117.50		
REQUIRED: KALDEWEI PROFESSIONAL INFLOW/OUTFLOW TECHNOLOGY ●¹			PRICE	(I)	(II), (III)	(IV)	
WASTE FITTING KA 120 HORIZONTAL without waste cover, hair catcher included. Universally applicable for FR and ESR.		4106 687772530000	107.50				
WASTE FITTING KA 120 FLAT without waste cover, hair catcher included. Universally applicable for FR and ESR.		4107 687772510000	127.00				
WASTE FITTING KA 120 VERTICAL without waste cover, hair catcher included. Universally applicable for FR and ESR.		4108 687772520000	146.50				
WASTE COVER KA 120 FOR CONOFLAT enamelled enamelled ANTI-SLIP SECURE PLUS		68777257xxxx 687772572xxx		39.50 39.50	78.50	39.50 39.50	
OPTIONAL: KALDEWEI PROFESSIONAL INSTALLATION ●¹			PRICE	(I)	(II), (III)	(IV)	
ESR FLOOR LEVEL INSTALLATION SYSTEM (FOR -1 MODELS) 1100 x 1000 (actual installation size ESR 1128 x 1028) 1200 x 800 (actual installation size ESR 1228 x 828) 1200 x 900 (actual installation size ESR 1228 x 928)		640000530000 640000240000 640000250000	310.00 310.00 310.00				
SHOWER TRAY FOOT FRAME FR 5300 Size adjustment up to 1200 x 1200		53000013xxxx	124.50				
CENTRAL SUPPORT SYSTEM MAS 5315 required for shower trays larger than 900 mm		688076990000	53.50				
OPTIONAL: KALDEWEI PROFESSIONAL WATERPROOF ●¹			PRICE	(I)	(II), (III)	(IV)	
SEALING KIT FLOOR-LEVEL		689720490000	143.50				
SEALING KIT FLEX		689720520000	48.50				
CUT PROTECTION TAPE 6,6M for shower surfaces > 1000 x 1200 mm		689720580000	91.50				
OPTIONAL: KALDEWEI SILENCE PLUS ●¹			PRICE	(I)	(II), (III)	(IV)	
SHOWER TRAY SOUND ABSORBING SET DW-ADS		687675720000	34.50				

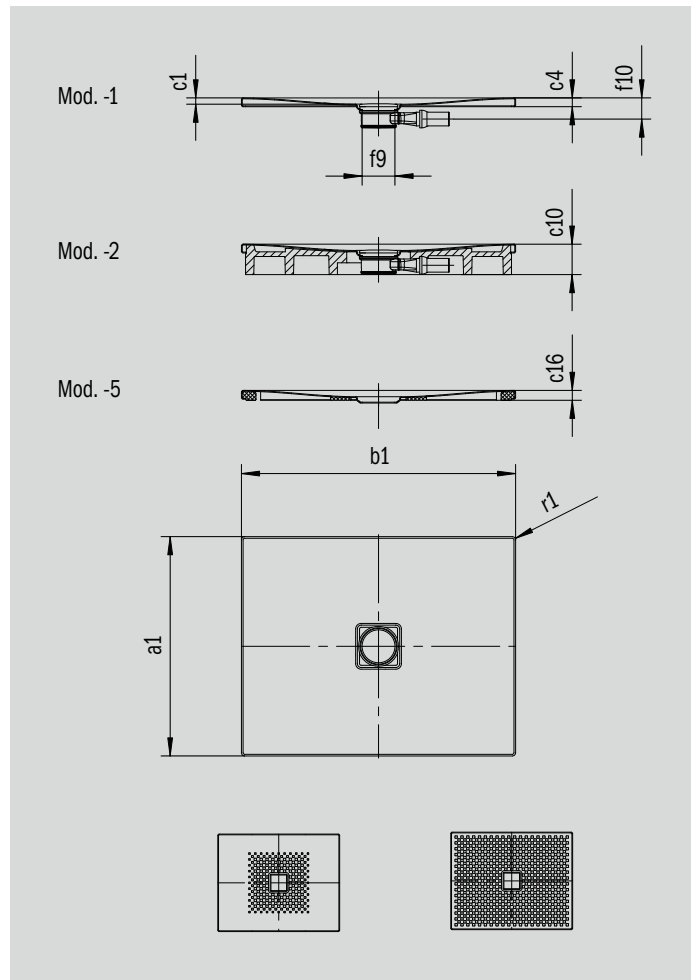
CONOFLAT

- straightlined, purist design
- high level of comfort thanks to the flat enamelled waste cover that is flush with the shower area
- can be installed to be absolutely flush with the floor
- ideally complements the CONODUO bath
- designed by Sottsass Associati
- made of KALDEWEI steel enamel



Similar illustration

Model-1	Total height			Fitting height		
	789	790	791	789	790	791
KA 120 horizontal	106	106	106	83	83	83
KA 120 flat	86	86	86	63	63	63
KA 120 vertical	49	49	49	83	83	83
Model-2	110	110	110			
Model-5	789	790	791	789	790	791
KA 120 horizontal	106	106	106	83	83	83
KA 120 flat	86	86	86	63	63	63
KA 120 vertical	49	37	37	83	83	83



ANTISLIP
SECURE⁺

Model		789	790	791
External length	a_1	1000	1200	800 mm
External width	b_1	1200	1200	1300 mm
Depth inside	c_1	23	23	23 mm
Height of rim	c_4	32	32	32 mm
Height with support	c_{10}	110	110	110 mm
Height with low-profile support	c_{16}	49	37	37 mm
Diameter of waste hole	f_9	Ø 120	Ø 120	Ø 120 mm
Bottle trap connection height	f_{10}	76	76	76 mm
External radius	r_1	12	12	12 mm
Net weight		31	36	28 kg
Anti-slip		492 x 492	588 x 588	492 x 492 mm
Full anti-slip		932 x 1124	1172 x 1172	740 x 1220 mm
ANTI-SLIP SECURE PLUS		full base	full base	full base

Subject to technical alterations, tolerances and errors. Similar illustration.

	Drain Hole	Model Order No.	Dimensions mm	Colour price groups			GBP
				Alpine White (I)	Sanitary Colours (II, III)	Coord. Colours (IV)	
CONOFLAT	Ø 120 mm	789-1 46590001xxxx	1200 x 1000 x 23	964.00	1,251.00	964.00	
		790-1 46600001xxxx	1200 x 1200 x 23	964.00	1,251.00	964.00	
		791-1 46610001xxxx	1300 x 800 x 23	1,007.00	1,309.00	1,007.00	
CONOFLAT WITH SUPPORT Total height with support: 110 mm	Ø 120 mm	789-2 46594804xxxx	1200 x 1000 x 23	1,105.00	1,436.00	1,105.00	
		790-2 46604804xxxx	1200 x 1200 x 23	1,105.00	1,436.00	1,105.00	
		791-2 46614804xxxx	1300 x 800 x 23	1,180.00	1,535.00	1,180.00	
CONOFLAT WITH LOW PROFILE SUPPORT	Ø 120 mm	789-5 46594798xxxx	1200 x 1000 x 23	1,005.00	1,305.00	1,005.00	
		790-5 46604798xxxx	1200 x 1200 x 23	1,005.00	1,305.00	1,005.00	
		791-5 46614798xxxx	1300 x 800 x 23	1,061.00	1,379.00	1,061.00	
OPTIONAL: KALDEWEI PERFECTION SURFACE FINISHES			PRICE	(I)	(II), (III)	(IV)	
EXTRA CHARGE FOR EASY-CLEAN FINISH		xxxxxxx3xxx		82.00	82.00	82.00	
ANTI-SLIP SECURE PLUS Standard-compliant slip resistance (Evaluation group B according to DIN 51097, R10 according to DIN 51130). Fired into the enamel – Slip resistant surface over the entire surface, matt finish only . Cannot be combined with easy-clean finish		xxxxxxx2xxx		without extra charge		without extra charge	
FULL ANTI-SLIP Fired into the enamel – Slip resistant pattern over almost the entire surface				236.00	236.00		
PARTIAL ANTI-SLIP Fired into the enamel – Slip resistant pattern over part of the surface				117.50	117.50		
REQUIRED: KALDEWEI PROFESSIONAL INFLOW/OUTFLOW TECHNOLOGY ●¹			PRICE	(I)	(II), (III)	(IV)	
WASTE FITTING KA 120 HORIZONTAL without waste cover, hair catcher included. Universally applicable for FR and ESR.		4106 687772530000	107.50				
WASTE FITTING KA 120 FLAT without waste cover, hair catcher included. Universally applicable for FR and ESR.		4107 687772510000	127.00				
WASTE FITTING KA 120 VERTICAL without waste cover, hair catcher included. Universally applicable for FR and ESR.		4108 687772520000	146.50				
WASTE COVER KA 120 FOR CONOFLAT enamelled enamelled ANTI-SLIP SECURE PLUS		68777257xxxx 687772572xxx		39.50 39.50	78.50	39.50 39.50	
OPTIONAL: KALDEWEI PROFESSIONAL INSTALLATION ●¹			PRICE	(I)	(II), (III)	(IV)	
ESR FLOOR LEVEL INSTALLATION SYSTEM (FOR -1 MODELS) 1200 x 1000 (actual installation size ESR 1228 x 1028) 1200 x 1200 (actual installation size ESR 1228 x 1228) 1300 x 800 (actual installation size ESR 1328 x 828)		640000270000 640000280000 640000290000	310.00 310.00 370.00				
SHOWER TRAY FOOT FRAME FR 5300 Size adjustment up to 1200 x 1200 Size adjustment up to 1800 x 1500		530000130000 530000140000	124.50 177.00				
CENTRAL SUPPORT SYSTEM MAS 5315 required for shower trays larger than 900 mm		688076990000	53.50				
OPTIONAL: KALDEWEI PROFESSIONAL WATERPROOF ●¹			PRICE	(I)	(II), (III)	(IV)	
SEALING KIT FLOOR-LEVEL		689720490000	143.50				
SEALING KIT FLEX		689720520000	48.50				
CUT PROTECTION TAPE 6,6M for shower surfaces > 1000 x 1200 mm		689720580000	91.50				
OPTIONAL: KALDEWEI SILENCE PLUS ●¹			PRICE	(I)	(II), (III)	(IV)	
SHOWER TRAY SOUND ABSORBING SET DW-ADS		687675720000	34.50				

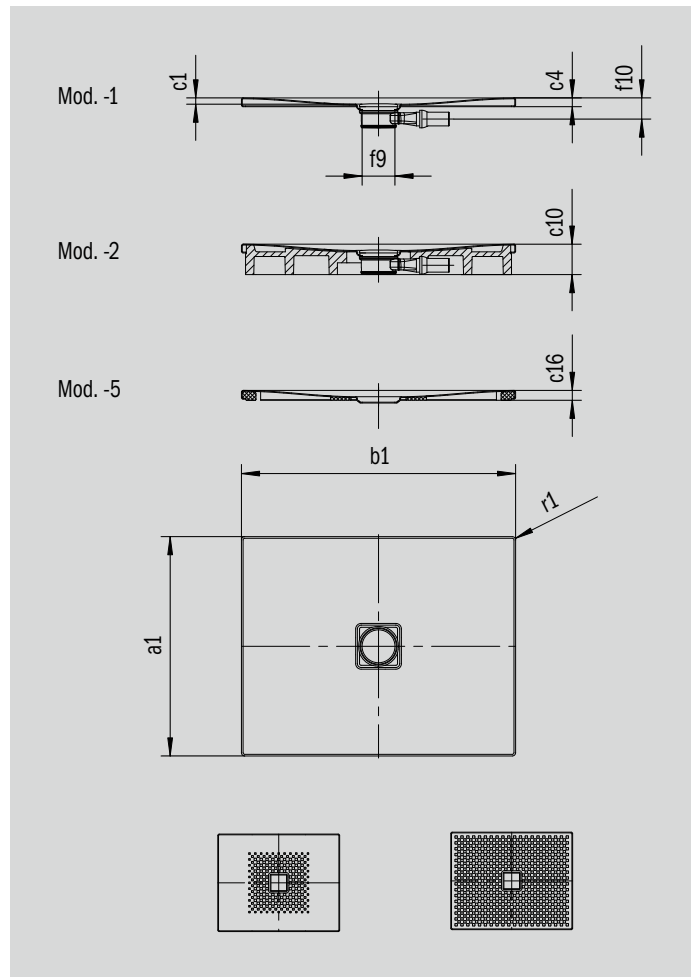
CONOFLAT

- straightlined, purist design
- high level of comfort thanks to the flat enamelled waste cover that is flush with the shower area
- can be installed to be absolutely flush with the floor
- ideally complements the CONODUO bath
- designed by Sottsass Associati
- made of KALDEWEI steel enamel



Similar illustration

Model-1	Total height			Fitting height		
	792	793	794	792	793	794
KA 120 horizontal	106	106	106	83	83	83
KA 120 flat	86	86	86	63	63	63
KA 120 vertical	49	49	49	83	83	83
Model-2	110	110	110			
Model-5	792	793	794	792	793	794
KA 120 horizontal	106	106	106	83	83	83
KA 120 flat	86	86	86	63	63	63
KA 120 vertical	37	37	37	83	83	83



ANTISLIP
SECURE⁺

Model		792	793	794
External length	a_1	900	1000	800 mm
External width	b_1	1300	1300	1400 mm
Depth inside	c_1	23	23	23 mm
Height of rim	c_4	32	32	32 mm
Height with support	c_{10}	110	110	110 mm
Height with low-profile support	c_{16}	37	37	37 mm
Diameter of waste hole	f_9	Ø 120	Ø 120	Ø 120 mm
Bottle trap connection height	f_{10}	76	76	76 mm
External radius	r_1	12	12	12 mm
Net weight		31	34	29 kg
Anti-slip		492 x 492	588 x 588	492 x 492 mm
Full anti-slip		836 x 1220	932 x 1220	740 x 1316 mm
ANTI-SLIP SECURE PLUS		full base	full base	full base

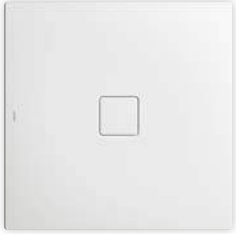
Subject to technical alterations, tolerances and errors. Similar illustration.

KALDEWEI

	Drain Hole	Model Order No.	Dimensions mm	Colour price groups			GBP
				Alpine White (I)	Sanitary Colours (II, III)	Coord. Colours (IV)	
CONOFLAT	Ø 120 mm	792-1 46620001xxxx	1300 x 900 x 23	1,007.00	1,309.00	1,007.00	
		793-1 46630001xxxx	1300 x 1000 x 23	1,007.00	1,309.00	1,007.00	
		794-1 46640001xxxx	1400 x 800 x 23	1,007.00	1,309.00	1,007.00	
CONOFLAT WITH SUPPORT Total height with support: 110 mm	Ø 120 mm	792-2 46624804xxxx	1300 x 900 x 23	1,180.00	1,535.00	1,180.00	
		793-2 46634804xxxx	1300 x 1000 x 23	1,180.00	1,535.00	1,180.00	
		794-2 46644804xxxx	1400 x 800 x 23	1,180.00	1,535.00	1,180.00	
CONOFLAT WITH LOW PROFILE SUPPORT	Ø 120 mm	792-5 46624798xxxx	1300 x 900 x 23	1,061.00	1,379.00	1,061.00	
		793-5 46634798xxxx	1300 x 1000 x 23	1,061.00	1,379.00	1,061.00	
		794-5 46644798xxxx	1400 x 800 x 23	1,061.00	1,379.00	1,061.00	
OPTIONAL: KALDEWEI PERFECTION SURFACE FINISHES			PRICE	(I)	(II), (III)	(IV)	
EXTRA CHARGE FOR EASY-CLEAN FINISH		xxxxxxx3xxx		82.00	82.00	82.00	
ANTI-SLIP SECURE PLUS Standard-compliant slip resistance (Evaluation group B according to DIN 51097, R10 according to DIN 51130). Fired into the enamel – Slip resistant surface over the entire surface, matt finish only . Cannot be combined with easy-clean finish		xxxxxxx2xxx		without extra charge		without extra charge	
FULL ANTI-SLIP Fired into the enamel – Slip resistant pattern over almost the entire surface				236.00	236.00		
PARTIAL ANTI-SLIP Fired into the enamel – Slip resistant pattern over part of the surface				117.50	117.50		
REQUIRED: KALDEWEI PROFESSIONAL INFLOW/OUTFLOW TECHNOLOGY ●¹			PRICE	(I)	(II), (III)	(IV)	
WASTE FITTING KA 120 HORIZONTAL without waste cover, hair catcher included. Universally applicable for FR and ESR.		4106 687772530000	107.50				
WASTE FITTING KA 120 FLAT without waste cover, hair catcher included. Universally applicable for FR and ESR.		4107 687772510000	127.00				
WASTE FITTING KA 120 VERTICAL without waste cover, hair catcher included. Universally applicable for FR and ESR.		4108 687772520000	146.50				
WASTE COVER KA 120 FOR CONOFLAT enamelled enamelled ANTI-SLIP SECURE PLUS		68777257xxxx 687772572xxx		39.50 39.50	78.50	39.50 39.50	
OPTIONAL: KALDEWEI PROFESSIONAL INSTALLATION ●¹			PRICE	(I)	(II), (III)	(IV)	
ESR FLOOR LEVEL INSTALLATION SYSTEM (FOR -1 MODELS) 1300 x 900 (actual installation size ESR 1328 x 928) 1300 x 1000 (actual installation size ESR 1328 x 1028) 1400 x 800 (actual installation size ESR 1428 x 828)		640000300000 640000310000 640000340000	370.00 370.00 370.00				
SHOWER TRAY FOOT FRAME FR 5300 Size adjustment up to 1200 x 1200 Size adjustment up to 1800 x 1500		530000130000 530000140000	124.50 177.00				
CENTRAL SUPPORT SYSTEM MAS 5315 required for shower trays larger than 900 mm		688076990000	53.50				
OPTIONAL: KALDEWEI PROFESSIONAL WATERPROOF ●¹			PRICE	(I)	(II), (III)	(IV)	
SEALING KIT FLOOR-LEVEL		689720490000	143.50				
SEALING KIT FLEX		689720520000	48.50				
CUT PROTECTION TAPE 6,6M for shower surfaces > 1000 x 1200 mm		689720580000	91.50				
OPTIONAL: KALDEWEI SILENCE PLUS ●¹			PRICE	(I)	(II), (III)	(IV)	
SHOWER TRAY SOUND ABSORBING SET DW-ADS		687675720000	34.50				

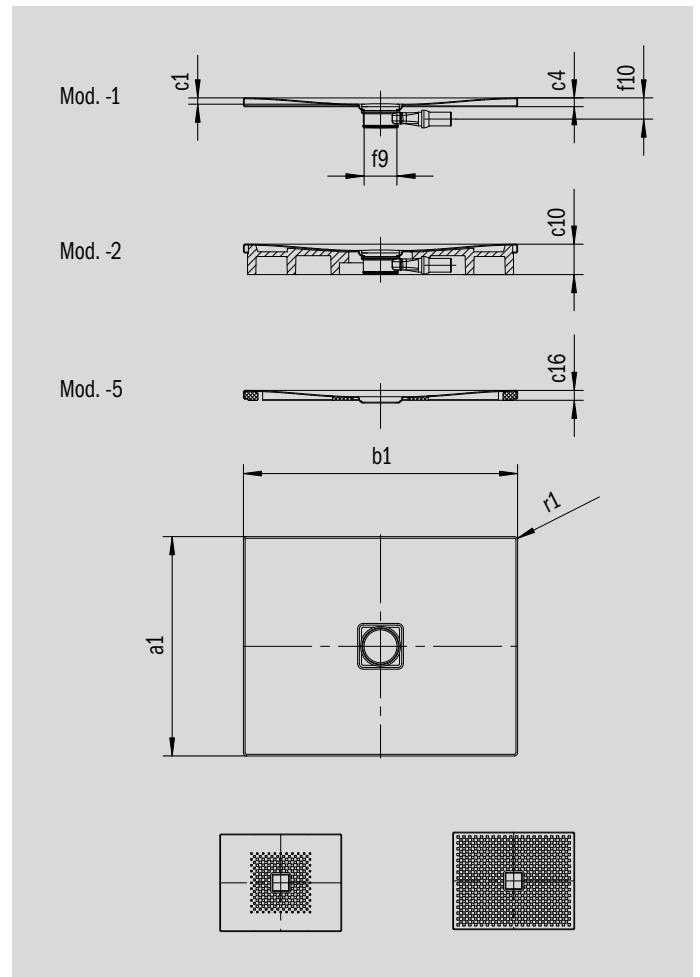
CONOFLAT

- straightlined, purist design
- high level of comfort thanks to the flat enamelled waste cover that is flush with the shower area
- can be installed to be absolutely flush with the floor
- ideally complements the CONODUO bath
- designed by Sottsass Associati
- made of KALDEWEI steel enamel



Similar illustration

Model-1	Total height			Fitting height		
	795	796	855	795	796	855
KA 120 horizontal	106	106	106	83	83	83
KA 120 flat	86	86	86	63	63	63
KA 120 vertical	49	49	49	83	83	83
Model-2	110	110	110			
Model-5	795	796	855	795	796	855
KA 120 horizontal	106	106	106	83	83	83
KA 120 flat	86	86	86	63	63	63
KA 120 vertical	37	37	37	83	83	83



ANTISLIP
SECURE⁺

Model		795	796	855
External length	a_1	900	1000	800 mm
External width	b_1	1400	1400	1500 mm
Depth inside	c_1	23	23	23 mm
Height of rim	c_4	32	32	32 mm
Height with support	c_{10}	110	110	110 mm
Height with low-profile support	c_{16}	37	37	37 mm
Diameter of waste hole	f_9	Ø 120	Ø 120	Ø 120 mm
Bottle trap connection height	f_{10}	76	76	76 mm
External radius	r_1	12	12	12 mm
Net weight		33	35	33 kg
Anti-slip		492 x 492	588 x 588	492 x 492 mm
Full anti-slip		836 x 1316	932 x 1316	740 x 1412 mm
ANTI-SLIP SECURE PLUS		full base	full base	full base

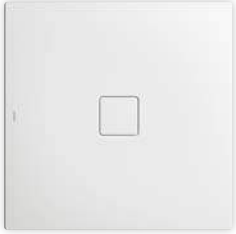
Subject to technical alterations, tolerances and errors. Similar illustration.

KALDEWEI

	Drain Hole	Model Order No.	Dimensions mm	Colour price groups			GBP
				Alpine White (I)	Sanitary Colours (II, III)	Coord. Colours (IV)	
CONOFLAT	Ø 120 mm	795-1 46650001xxxx	1400 x 900 x 23	1,007.00	1,309.00	1,007.00	
		796-1 46660001xxxx	1400 x 1000 x 23	1,026.00	1,332.00	1,026.00	
		855-1 46710001xxxx	1500 x 800 x 23	1,026.00	1,332.00	1,026.00	
CONOFLAT WITH SUPPORT Total height with support: 110 mm	Ø 120 mm	795-2 46654804xxxx	1400 x 900 x 23	1,180.00	1,535.00	1,180.00	
		796-2 46664804xxxx	1400 x 1000 x 23	1,228.00	1,596.00	1,228.00	
		855-2 46714804xxxx	1500 x 800 x 23	1,228.00	1,596.00	1,228.00	
CONOFLAT WITH LOW PROFILE SUPPORT	Ø 120 mm	795-5 46654798xxxx	1400 x 900 x 23	1,061.00	1,379.00	1,061.00	
		796-5 46664798xxxx	1400 x 1000 x 23	1,095.00	1,425.00	1,095.00	
		855-5 46714798xxxx	1500 x 800 x 23	1,095.00	1,425.00	1,095.00	
OPTIONAL: KALDEWEI PERFECTION SURFACE FINISHES			PRICE	(I)	(II), (III)	(IV)	
EXTRA CHARGE FOR EASY-CLEAN FINISH		xxxxxxx3xxx		82.00	82.00	82.00	
ANTI-SLIP SECURE PLUS Standard-compliant slip resistance (Evaluation group B according to DIN 51097, R10 according to DIN 51130). Fired into the enamel – Slip resistant surface over the entire surface, matt finish only . Cannot be combined with easy-clean finish		xxxxxxx2xxx		without extra charge		without extra charge	
FULL ANTI-SLIP Fired into the enamel – Slip resistant pattern over almost the entire surface				236.00	236.00		
PARTIAL ANTI-SLIP Fired into the enamel – Slip resistant pattern over part of the surface				117.50	117.50		
REQUIRED: KALDEWEI PROFESSIONAL INFLOW/OUTFLOW TECHNOLOGY ●¹			PRICE	(I)	(II), (III)	(IV)	
WASTE FITTING KA 120 HORIZONTAL without waste cover, hair catcher included. Universally applicable for FR and ESR.		4106 687772530000	107.50				
WASTE FITTING KA 120 FLAT without waste cover, hair catcher included. Universally applicable for FR and ESR.		4107 687772510000	127.00				
WASTE FITTING KA 120 VERTICAL without waste cover, hair catcher included. Universally applicable for FR and ESR.		4108 687772520000	146.50				
WASTE COVER KA 120 FOR CONOFLAT enamelled enamelled ANTI-SLIP SECURE PLUS		68777257xxxx 687772572xxx		39.50 39.50	78.50	39.50 39.50	
OPTIONAL: KALDEWEI PROFESSIONAL INSTALLATION ●¹			PRICE	(I)	(II), (III)	(IV)	
ESR FLOOR LEVEL INSTALLATION SYSTEM (FOR -1 MODELS) 1400 x 900 (actual installation size ESR 1428 x 928) 1400 x 1000 (actual installation size ESR 1428 x 1028) 1500 x 800 (actual installation size ESR 1528 x 828)		640000350000 640000360000 640000540000	370.00 370.00 506.00				
SHOWER TRAY FOOT FRAME FR 5300 Size adjustment up to 1800 x 1500		53000014xxxx	177.00				
CENTRAL SUPPORT SYSTEM MAS 5315 required for shower trays larger than 900 mm		688076990000	53.50				
OPTIONAL: KALDEWEI PROFESSIONAL WATERPROOF ●¹			PRICE	(I)	(II), (III)	(IV)	
SEALING KIT FLOOR-LEVEL		689720490000	143.50				
SEALING KIT FLEX		689720520000	48.50				
CUT PROTECTION TAPE 6,6M for shower surfaces > 1000 x 1200 mm		689720580000	91.50				
OPTIONAL: KALDEWEI SILENCE PLUS ●¹			PRICE	(I)	(II), (III)	(IV)	
SHOWER TRAY SOUND ABSORBING SET DW-ADS		687675720000	34.50				

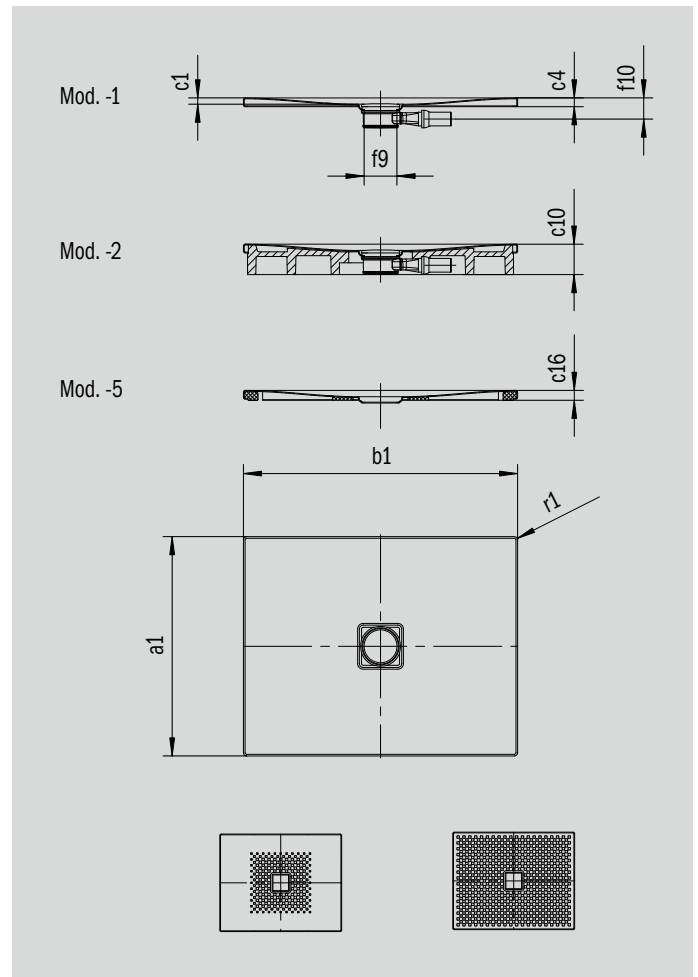
CONOFLAT

- straightlined, purist design
- high level of comfort thanks to the flat enamelled waste cover that is flush with the shower area
- can be installed to be absolutely flush with the floor
- ideally complements the CONODUO bath
- designed by Sottsass Associati
- made of KALDEWEI steel enamel



Similar illustration

Model-1	Total height			Fitting height		
	856	857	858	856	857	858
KA 120 horizontal	106	106	106	83	83	83
KA 120 flat	86	86	86	63	63	63
KA 120 vertical	49	49	49	83	83	83
Model-2	110	110	110			
Model-5	856	857	858	856	857	858
KA 120 horizontal	106	106	106	83	83	83
KA 120 flat	86	86	86	63	63	63
KA 120 vertical	37	37	37	83	83	83



ANTISLIP
SECURE⁺

Model		856	857	858
External length	a_1	900	1000	750 mm
External width	b_1	1500	1500	1600 mm
Depth inside	c_1	23	23	23 mm
Height of rim	c_4	32	32	32 mm
Height with support	c_{10}	110	110	110 mm
Height with low-profile support	c_{16}	37	37	37 mm
Diameter of waste hole	f_9	Ø 120	Ø 120	Ø 120 mm
Bottle trap connection height	f_{10}	76	76	76 mm
External radius	r_1	12	12	12 mm
Net weight		35	38	30 kg
Anti-slip		492 x 492	588 x 588	492 x 492 mm
Full anti-slip		836 x 1412	932 x 1412	692 x 1556 mm
ANTI-SLIP SECURE PLUS		full base	full base	full base

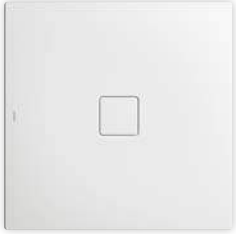
Subject to technical alterations, tolerances and errors. Similar illustration.

KALDEWEI

	Drain Hole	Model Order No.	Dimensions mm	Colour price groups			GBP
				Alpine White (I)	Sanitary Colours (II, III)	Coord. Colours (IV)	
CONOFLAT	Ø 120 mm	856-1 46720001xxxx	1500 x 900 x 23	1,026.00	1,332.00	1,026.00	
		857-1 46730001xxxx	1500 x 1000 x 23	1,026.00	1,332.00	1,026.00	
		858-1 46740001xxxx	1600 x 750 x 23	1,086.00	1,411.00	1,086.00	
CONOFLAT WITH SUPPORT Total height with support: 110 mm	Ø 120 mm	856-2 46724804xxxx	1500 x 900 x 23	1,228.00	1,596.00	1,228.00	
		857-2 46734804xxxx	1500 x 1000 x 23	1,228.00	1,596.00	1,228.00	
		858-2 46744804xxxx	1600 x 750 x 23	1,292.00	1,679.00	1,292.00	
CONOFLAT WITH LOW PROFILE SUPPORT	Ø 120 mm	856-5 46724798xxxx	1500 x 900 x 23	1,095.00	1,425.00	1,095.00	
		857-5 46734798xxxx	1500 x 1000 x 23	1,095.00	1,425.00	1,095.00	
		858-5 46744798xxxx	1600 x 750 x 23	1,157.00	1,502.00	1,157.00	
OPTIONAL: KALDEWEI PERFECTION SURFACE FINISHES			PRICE	(I)	(II), (III)	(IV)	
EXTRA CHARGE FOR EASY-CLEAN FINISH		xxxxxxx3xxx		82.00	82.00	82.00	
ANTI-SLIP SECURE PLUS Standard-compliant slip resistance (Evaluation group B according to DIN 51097, R10 according to DIN 51130). Fired into the enamel – Slip resistant surface over the entire surface, matt finish only . Cannot be combined with easy-clean finish		xxxxxxx2xxx		without extra charge		without extra charge	
FULL ANTI-SLIP Fired into the enamel – Slip resistant pattern over almost the entire surface				236.00	236.00		
PARTIAL ANTI-SLIP Fired into the enamel – Slip resistant pattern over part of the surface				117.50	117.50		
REQUIRED: KALDEWEI PROFESSIONAL INFLOW/OUTFLOW TECHNOLOGY ●¹			PRICE	(I)	(II), (III)	(IV)	
WASTE FITTING KA 120 HORIZONTAL without waste cover, hair catcher included. Universally applicable for FR and ESR.		4106 687772530000	107.50				
WASTE FITTING KA 120 FLAT without waste cover, hair catcher included. Universally applicable for FR and ESR.		4107 687772510000	127.00				
WASTE FITTING KA 120 VERTICAL without waste cover, hair catcher included. Universally applicable for FR and ESR.		4108 687772520000	146.50				
WASTE COVER KA 120 FOR CONOFLAT enamelled enamelled ANTI-SLIP SECURE PLUS		68777257xxxx 687772572xxx		39.50 39.50	78.50	39.50 39.50	
OPTIONAL: KALDEWEI PROFESSIONAL INSTALLATION ●¹			PRICE	(I)	(II), (III)	(IV)	
ESR FLOOR LEVEL INSTALLATION SYSTEM (FOR -1 MODELS) 1500 x 900 (actual installation size ESR 1528 x 928) 1500 x 1000 (actual installation size ESR 1528 x 1028) 1600 x 750 (actual installation size ESR 1628 x 778)		640000390000 640000400000 640000430000	506.00 506.00 506.00				
SHOWER TRAY FOOT FRAME FR 5300 Size adjustment up to 1800 x 1500		53000014xxxx	177.00				
CENTRAL SUPPORT SYSTEM MAS 5315 required for shower trays larger than 900 mm		688076990000	53.50				
OPTIONAL: KALDEWEI PROFESSIONAL WATERPROOF ●¹			PRICE	(I)	(II), (III)	(IV)	
SEALING KIT FLOOR-LEVEL		689720490000	143.50				
SEALING KIT FLEX		689720520000	48.50				
CUT PROTECTION TAPE 6,6M for shower surfaces > 1000 x 1200 mm		689720580000	91.50				
OPTIONAL: KALDEWEI SILENCE PLUS ●¹			PRICE	(I)	(II), (III)	(IV)	
SHOWER TRAY SOUND ABSORBING SET DW-ADS		687675720000	34.50				

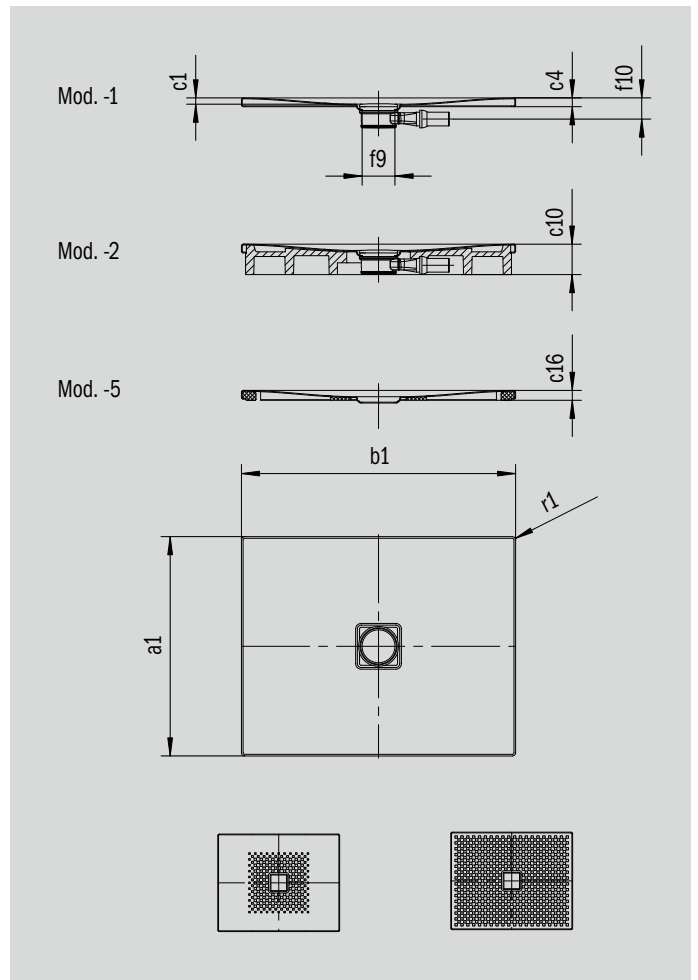
CONOFLAT

- straightlined, purist design
- high level of comfort thanks to the flat enamelled waste cover that is flush with the shower area
- can be installed to be absolutely flush with the floor
- ideally complements the CONODUO bath
- designed by Sottsass Associati
- made of KALDEWEI steel enamel



Similar illustration

Model-1	Total height			Fitting height		
	859	860	861	859	860	861
KA 120 horizontal	106	106	106	83	83	83
KA 120 flat	86	86	86	63	63	63
KA 120 vertical	49	49	49	83	83	83
Model-2	110	110	110			
Model-5	859	860	861	859	860	861
KA 120 horizontal	106	106	106	83	83	83
KA 120 flat	86	86	86	63	63	63
KA 120 vertical	37	37	37	83	83	83



ANTISLIP
SECURE⁺

Model		859	860	861
External length	a_1	800	900	1000 mm
External width	b_1	1600	1600	1600 mm
Depth inside	c_1	23	23	23 mm
Height of rim	c_4	32	32	32 mm
Height with support	c_{10}	110	110	110 mm
Height with low-profile support	c_{16}	37	37	37 mm
Diameter of waste hole	f_9	Ø 120	Ø 120	Ø 120 mm
Bottle trap connection height	f_{10}	76	76	76 mm
External radius	r_1	12	12	12 mm
Net weight		36	37	41 kg
Anti-slip		492 x 492	492 x 492	588 x 588 mm
Full anti-slip		740 x 1556	836 x 1556	932 x 1556 mm
ANTI-SLIP SECURE PLUS		full base	full base	full base

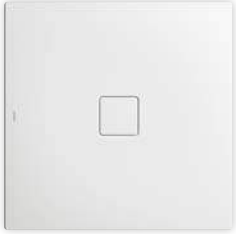
Subject to technical alterations, tolerances and errors. Similar illustration.

KALDEWEI

	Drain Hole	Model Order No.	Dimensions mm	Colour price groups			GBP
				Alpine White (I)	Sanitary Colours (II, III)	Coord. Colours (IV)	
CONOFLAT	Ø 120 mm	859-1 46750001xxxx	1600 x 800 x 23	1,086.00	1,411.00	1,086.00	
		860-1 46760001xxxx	1600 x 900 x 23	1,086.00	1,411.00	1,086.00	
		861-1 46770001xxxx	1600 x 1000 x 23	1,086.00	1,411.00	1,086.00	
CONOFLAT WITH SUPPORT Total height with support: 110 mm	Ø 120 mm	859-2 46754804xxxx	1600 x 800 x 23	1,292.00	1,679.00	1,292.00	
		860-2 46764804xxxx	1600 x 900 x 23	1,292.00	1,679.00	1,292.00	
		861-2 46774804xxxx	1600 x 1000 x 23	1,292.00	1,679.00	1,292.00	
CONOFLAT WITH LOW PROFILE SUPPORT	Ø 120 mm	859-5 46754798xxxx	1600 x 800 x 23	1,157.00	1,502.00	1,157.00	
		860-5 46764798xxxx	1600 x 900 x 23	1,157.00	1,502.00	1,157.00	
		861-5 46774798xxxx	1600 x 1000 x 23	1,157.00	1,502.00	1,157.00	
OPTIONAL: KALDEWEI PERFECTION SURFACE FINISHES			PRICE	(I)	(II), (III)	(IV)	
EXTRA CHARGE FOR EASY-CLEAN FINISH		xxxxxxx3xxx		82.00	82.00	82.00	
ANTI-SLIP SECURE PLUS Standard-compliant slip resistance (Evaluation group B according to DIN 51097, R10 according to DIN 51130). Fired into the enamel – Slip resistant surface over the entire surface, matt finish only . Cannot be combined with easy-clean finish		xxxxxxx2xxx		without extra charge		without extra charge	
FULL ANTI-SLIP Fired into the enamel – Slip resistant pattern over almost the entire surface				236.00	236.00		
PARTIAL ANTI-SLIP Fired into the enamel – Slip resistant pattern over part of the surface				117.50	117.50		
REQUIRED: KALDEWEI PROFESSIONAL INFLOW/OUTFLOW TECHNOLOGY ●¹			PRICE	(I)	(II), (III)	(IV)	
WASTE FITTING KA 120 HORIZONTAL without waste cover, hair catcher included. Universally applicable for FR and ESR.		4106 687772530000	107.50				
WASTE FITTING KA 120 FLAT without waste cover, hair catcher included. Universally applicable for FR and ESR.		4107 687772510000	127.00				
WASTE FITTING KA 120 VERTICAL without waste cover, hair catcher included. Universally applicable for FR and ESR.		4108 687772520000	146.50				
WASTE COVER KA 120 FOR CONOFLAT enamelled enamelled ANTI-SLIP SECURE PLUS		68777257xxxx 687772572xxx		39.50 39.50	78.50	39.50 39.50	
OPTIONAL: KALDEWEI PROFESSIONAL INSTALLATION ●¹			PRICE	(I)	(II), (III)	(IV)	
ESR FLOOR LEVEL INSTALLATION SYSTEM (FOR -1 MODELS) 1600 x 800 (actual installation size ESR 1628 x 828) 1600 x 900 (actual installation size ESR 1628 x 928) 1600 x 1000 (actual installation size ESR 1628 x 1028)		640000550000 640000440000 640000450000	506.00 506.00 506.00				
SHOWER TRAY FOOT FRAME FR 5300 Size adjustment up to 1800 x 1500		53000014xxxx	177.00				
CENTRAL SUPPORT SYSTEM MAS 5315 required for shower trays larger than 900 mm		688076990000	53.50				
OPTIONAL: KALDEWEI PROFESSIONAL WATERPROOF ●¹			PRICE	(I)	(II), (III)	(IV)	
SEALING KIT FLOOR-LEVEL		689720490000	143.50				
SEALING KIT FLEX		689720520000	48.50				
CUT PROTECTION TAPE 6,6M for shower surfaces > 1000 x 1200 mm		689720580000	91.50				
OPTIONAL: KALDEWEI SILENCE PLUS ●¹			PRICE	(I)	(II), (III)	(IV)	
SHOWER TRAY SOUND ABSORBING SET DW-ADS		687675720000	34.50				

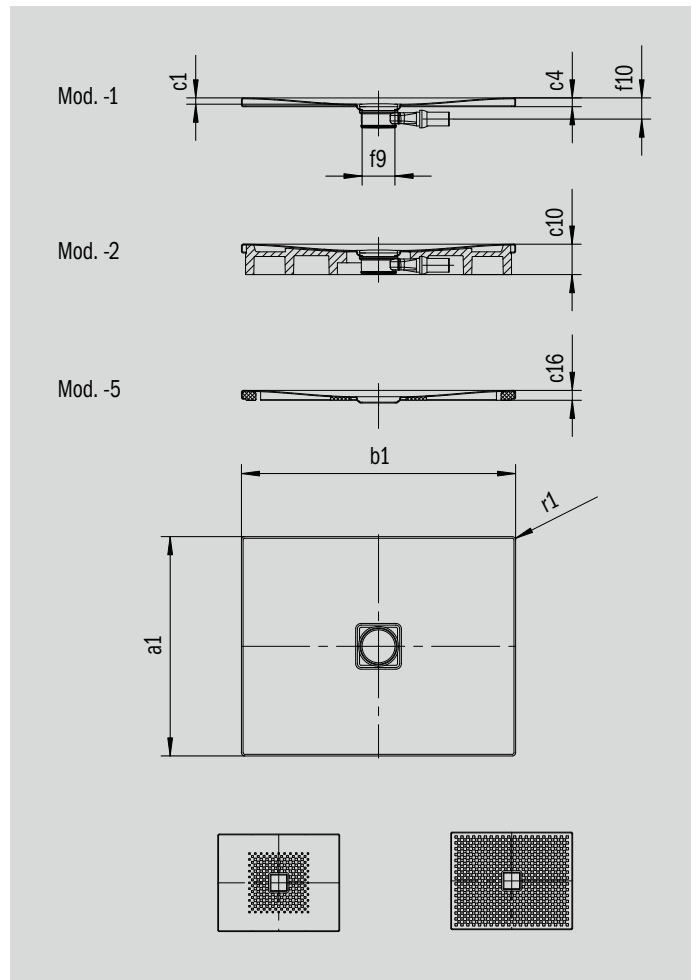
CONOFLAT

- straightlined, purist design
- high level of comfort thanks to the flat enamelled waste cover that is flush with the shower area
- can be installed to be absolutely flush with the floor
- ideally complements the CONODUO bath
- designed by Sottsass Associati
- made of KALDEWEI steel enamel



Similar illustration

Model-1	Total height			Fitting height		
	862	863	864	862	863	864
KA 120 horizontal	106	106	106	83	83	83
KA 120 flat	86	86	86	63	63	63
KA 120 vertical	49	49	49	83	83	83
Model-2	110	110	110			
Model-5	862	863	864	862	863	864
KA 120 horizontal	106	106	106	83	83	83
KA 120 flat	86	86	86	63	63	63
KA 120 vertical	37	37	37	83	83	83



ANTISLIP
SECURE⁺

Model		862	863	864
External length	a_1	750	900	1000 mm
External width	b_1	1700	1700	1700 mm
Depth inside	c_1	23	23	23 mm
Height of rim	c_4	32	32	32 mm
Height with support	c_{10}	110	110	110 mm
Height with low-profile support	c_{16}	37	37	37 mm
Diameter of waste hole	f_9	Ø 120	Ø 120	Ø 120 mm
Bottle trap connection height	f_{10}	76	76	76 mm
External radius	r_1	12	12	12 mm
Net weight		33	40	43 kg
Anti-slip		492 x 492	492 x 492	588 x 588 mm
Full anti-slip		692 x 1652	836 x 1652	932 x 1652 mm
ANTI-SLIP SECURE PLUS		full base	full base	full base

Subject to technical alterations, tolerances and errors. Similar illustration.

KALDEWEI

	Drain Hole	Model Order No.	Dimensions mm	Colour price groups			GBP
				Alpine White (I)	Sanitary Colours (II, III)	Coord. Colours (IV)	
CONOFLAT	Ø 120 mm	862-1 46780001xxxx	1700 x 750 x 23	1,086.00	1,411.00	1,086.00	
		863-1 46790001xxxx	1700 x 900 x 23	1,086.00	1,411.00	1,086.00	
		864-1 46810001xxxx	1700 x 1000 x 23	1,265.00	1,643.00	1,265.00	
CONOFLAT WITH SUPPORT Total height with support: 110 mm	Ø 120 mm	862-2 46784804xxxx	1700 x 750 x 23	1,292.00	1,679.00	1,292.00	
		863-2 46794804xxxx	1700 x 900 x 23	1,292.00	1,679.00	1,292.00	
		864-2 46814804xxxx	1700 x 1000 x 23	1,473.00	1,914.00	1,473.00	
CONOFLAT WITH LOW PROFILE SUPPORT	Ø 120 mm	862-5 46784798xxxx	1700 x 750 x 23	1,157.00	1,502.00	1,157.00	
		863-5 46794798xxxx	1700 x 900 x 23	1,157.00	1,502.00	1,157.00	
		864-5 46814798xxxx	1700 x 1000 x 23	1,334.00	1,735.00	1,334.00	
OPTIONAL: KALDEWEI PERFECTION SURFACE FINISHES			PRICE	(I)	(II), (III)	(IV)	
EXTRA CHARGE FOR EASY-CLEAN FINISH		xxxxxxx3xxx		82.00	82.00	82.00	
ANTI-SLIP SECURE PLUS Standard-compliant slip resistance (Evaluation group B according to DIN 51097, R10 according to DIN 51130). Fired into the enamel – Slip resistant surface over the entire surface, matt finish only . Cannot be combined with easy-clean finish		xxxxxxx2xxx		without extra charge		without extra charge	
FULL ANTI-SLIP Fired into the enamel – Slip resistant pattern over almost the entire surface				236.00	236.00		
PARTIAL ANTI-SLIP Fired into the enamel – Slip resistant pattern over part of the surface				117.50	117.50		
REQUIRED: KALDEWEI PROFESSIONAL INFLOW/OUTFLOW TECHNOLOGY ●¹			PRICE	(I)	(II), (III)	(IV)	
WASTE FITTING KA 120 HORIZONTAL without waste cover, hair catcher included. Universally applicable for FR and ESR.		4106 687772530000	107.50				
WASTE FITTING KA 120 FLAT without waste cover, hair catcher included. Universally applicable for FR and ESR.		4107 687772510000	127.00				
WASTE FITTING KA 120 VERTICAL without waste cover, hair catcher included. Universally applicable for FR and ESR.		4108 687772520000	146.50				
WASTE COVER KA 120 FOR CONOFLAT enamelled enamelled ANTI-SLIP SECURE PLUS		68777257xxxx 687772572xxx		39.50 39.50	78.50	39.50 39.50	
OPTIONAL: KALDEWEI PROFESSIONAL INSTALLATION ●¹			PRICE	(I)	(II), (III)	(IV)	
ESR FLOOR LEVEL INSTALLATION SYSTEM (FOR -1 MODELS) 1700 x 750 (actual installation size ESR 1728 x 778) 1700 x 900 (actual installation size ESR 1728 x 928) 1700 x 1000 (actual installation size ESR 1728 x 1028)		640000470000 640000480000 640000490000	506.00 506.00 506.00				
SHOWER TRAY FOOT FRAME FR 5300 Size adjustment up to 1800 x 1500		53000014xxxx	177.00				
CENTRAL SUPPORT SYSTEM MAS 5315 required for shower trays larger than 900 mm		688076990000	53.50				
OPTIONAL: KALDEWEI PROFESSIONAL WATERPROOF ●¹			PRICE	(I)	(II), (III)	(IV)	
SEALING KIT FLOOR-LEVEL		689720490000	143.50				
SEALING KIT FLEX		689720520000	48.50				
CUT PROTECTION TAPE 6,6M for shower surfaces > 1000 x 1200 mm		689720580000	91.50				
OPTIONAL: KALDEWEI SILENCE PLUS ●¹			PRICE	(I)	(II), (III)	(IV)	
SHOWER TRAY SOUND ABSORBING SET DW-ADS		687675720000	34.50				

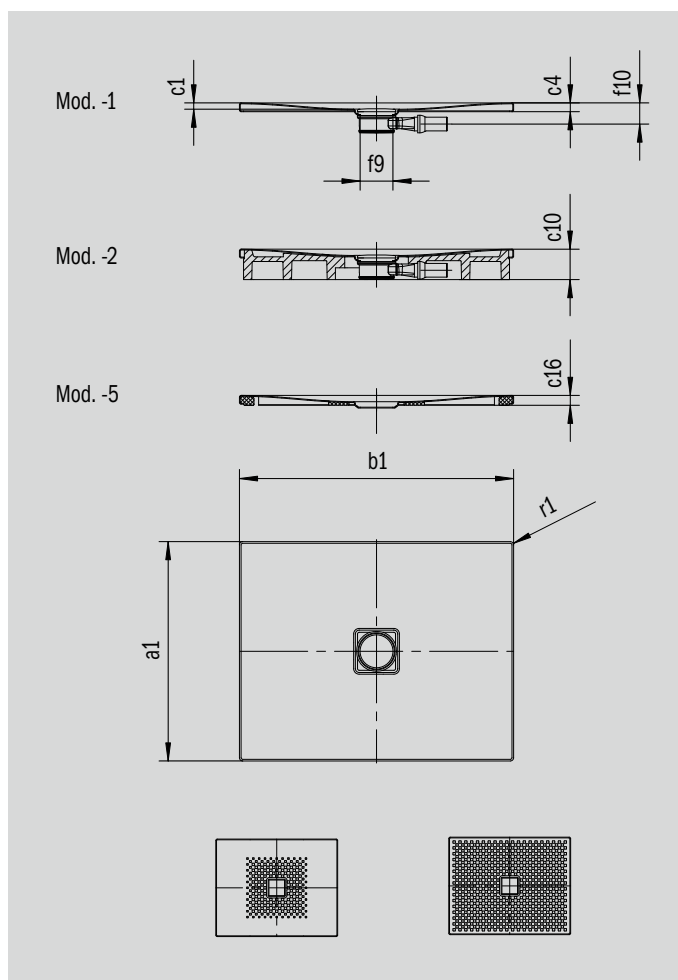
CONOFLAT

- straightlined, purist design
- high level of comfort thanks to the flat enamelled waste cover that is flush with the shower area
- can be installed to be absolutely flush with the floor
- ideally complements the CONODUO bath
- designed by Sottsass Associati
- made of KALDEWEI steel enamel



Similar illustration

Model-1	Total height			Fitting height		
	865	866	867	865	866	867
KA 120 horizontal	106	106	106	83	83	83
KA 120 flat	86	86	86	63	63	63
KA 120 vertical	49	49	49	83	83	83
Model-2	110	110	110			
Model-5	865	866	867	865	866	867
KA 120 horizontal	106	106	106	83	83	83
KA 120 flat	86	86	86	63	63	63
KA 120 vertical	37	37	37	83	83	83



ANTISLIP
SECURE⁺

Model		865	866	867
External length	a_1	800	900	1000 mm
External width	b_1	1800	1800	1800 mm
Depth inside	c_1	23	23	23 mm
Height of rim	c_4	32	32	32 mm
Height with support	c_{10}	110	110	110 mm
Height with low-profile support	c_{16}	37	37	37 mm
Diameter of waste hole	f_9	Ø 120	Ø 120	Ø 120 mm
Bottle trap connection height	f_{10}	76	76	76 mm
External radius	r_1	12	12	12 mm
Net weight		37	41	45 kg
Anti-slip		492 x 492	492 x 492	588 x 588 mm
Full anti-slip		740 x 1748	836 x 1748	932 x 1748 mm
ANTI-SLIP SECURE PLUS		full base	full base	full base

Subject to technical alterations, tolerances and errors. Similar illustration.

KALDEWEI

	Drain Hole	Model Order No.	Dimensions mm	Colour price groups			GBP
				Alpine White (I)	Sanitary Colours (II, III)	Coord. Colours (IV)	
CONOFLAT	Ø 120 mm	865-1 46820001xxxx	1800 x 800 x 23	1,194.00	1,550.00	1,194.00	
		866-1 46830001xxxx	1800 x 900 x 23	1,194.00	1,550.00	1,194.00	
		867-1 46840001xxxx	1800 x 1000 x 23	1,307.00	1,700.00	1,307.00	
CONOFLAT WITH SUPPORT Total height with support: 110 mm	Ø 120 mm	865-2 46824804xxxx	1800 x 800 x 23	1,400.00	1,818.00	1,400.00	
		866-2 46834804xxxx	1800 x 900 x 23	1,400.00	1,818.00	1,400.00	
		867-2 46844804xxxx	1800 x 1000 x 23	1,514.00	1,968.00	1,514.00	
CONOFLAT WITH LOW PROFILE SUPPORT	Ø 120 mm	865-5 46824798xxxx	1800 x 800 x 23	1,265.00	1,643.00	1,265.00	
		866-5 46834798xxxx	1800 x 900 x 23	1,265.00	1,643.00	1,265.00	
		867-5 46844798xxxx	1800 x 1000 x 23	1,379.00	1,793.00	1,379.00	
OPTIONAL: KALDEWEI PERFECTION SURFACE FINISHES			PRICE	(I)	(II), (III)	(IV)	
EXTRA CHARGE FOR EASY-CLEAN FINISH		xxxxxxx3xxx		82.00	82.00	82.00	
ANTI-SLIP SECURE PLUS Standard-compliant slip resistance (Evaluation group B according to DIN 51097, R10 according to DIN 51130). Fired into the enamel – Slip resistant surface over the entire surface, matt finish only . Cannot be combined with easy-clean finish		xxxxxxx2xxx		without extra charge		without extra charge	
FULL ANTI-SLIP Fired into the enamel – Slip resistant pattern over almost the entire surface				236.00	236.00		
PARTIAL ANTI-SLIP Fired into the enamel – Slip resistant pattern over part of the surface				117.50	117.50		
REQUIRED: KALDEWEI PROFESSIONAL INFLOW/OUTFLOW TECHNOLOGY ●¹			PRICE	(I)	(II), (III)	(IV)	
WASTE FITTING KA 120 HORIZONTAL without waste cover, hair catcher included. Universally applicable for FR and ESR.		4106 687772530000	107.50				
WASTE FITTING KA 120 FLAT without waste cover, hair catcher included. Universally applicable for FR and ESR.		4107 687772510000	127.00				
WASTE FITTING KA 120 VERTICAL without waste cover, hair catcher included. Universally applicable for FR and ESR.		4108 687772520000	146.50				
WASTE COVER KA 120 FOR CONOFLAT enamelled enamelled ANTI-SLIP SECURE PLUS		68777257xxxx 687772572xxx		39.50 39.50	78.50	39.50 39.50	
OPTIONAL: KALDEWEI PROFESSIONAL INSTALLATION ●¹			PRICE	(I)	(II), (III)	(IV)	
ESR FLOOR LEVEL INSTALLATION SYSTEM (FOR -1 MODELS) 1800 x 800 (actual installation size ESR 1828 x 828) 1800 x 900 (actual installation size ESR 1828 x 928) 1800 x 1000 (actual installation size ESR 1828 x 1028)		640000500000 640000510000 640000520000	506.00 506.00 506.00				
SHOWER TRAY FOOT FRAME FR 5300 Size adjustment up to 1800 x 1500		53000014xxxx	177.00				
CENTRAL SUPPORT SYSTEM MAS 5315 required for shower trays larger than 900 mm		688076990000	53.50				
OPTIONAL: KALDEWEI PROFESSIONAL WATERPROOF ●¹			PRICE	(I)	(II), (III)	(IV)	
SEALING KIT FLOOR-LEVEL		689720490000	143.50				
SEALING KIT FLEX		689720520000	48.50				
CUT PROTECTION TAPE 6,6M for shower surfaces > 1000 x 1200 mm		689720580000	91.50				
OPTIONAL: KALDEWEI SILENCE PLUS ●¹			PRICE	(I)	(II), (III)	(IV)	
SHOWER TRAY SOUND ABSORBING SET DW-ADS		687675720000	34.50				

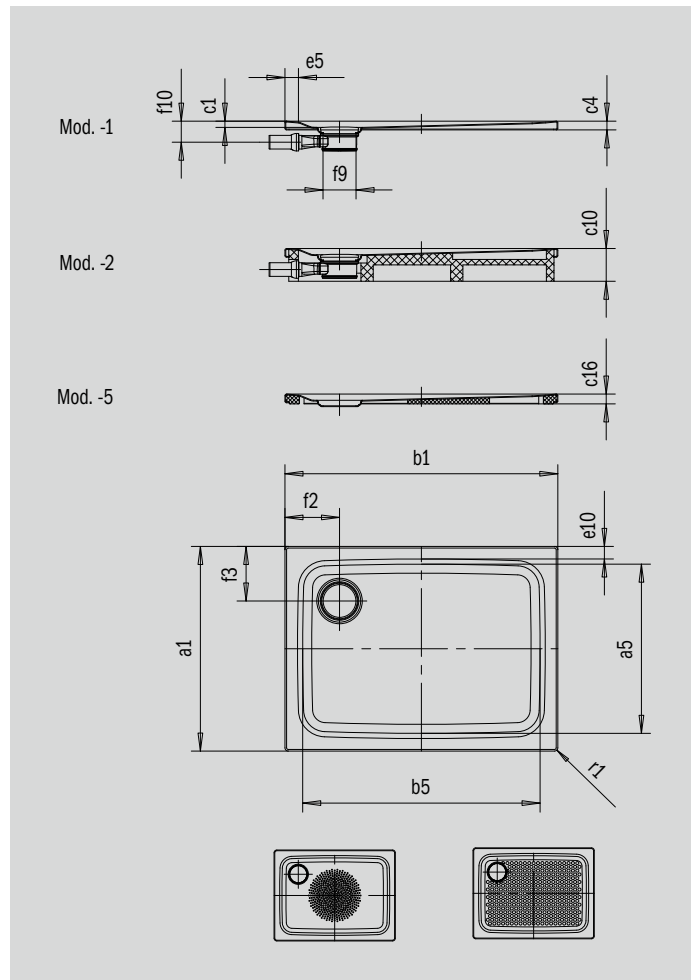
SUPERPLAN PLUS

- elegant, puristic design
- can be installed to be absolutely flush with the floor
- maximum standing comfort thanks to the flat enamelled waste cover that is set flush in the shower tray
- made of KALDEWEI steel enamel



Similar illustration

Model-1	Total height			Fitting height		
	469	475	476	469	475	476
KA 120 horizontal	108	108	108	83	83	83
KA 120 flat	88	88	88	63	63	63
KA 120 vertical	49	49	49	83	83	83
Model-2	120	120	120			
Model-5	469	475	476	469	475	476
KA 120 horizontal	108	108	108	83	83	83
KA 120 flat	88	88	88	63	63	63
KA 120 vertical	37	37	37	83	83	83



ANTISLIP
SECURE⁺

Model		469	475	476
External length	a_1	800	900	750 mm
Internal length	a_5	690	790	640 mm
External width	b_1	800	900	1000 mm
Internal width	b_5	690	790	890 mm
Depth inside	c_1	25	25	25 mm
Height of rim	c_4	32	32	32 mm
Height with support	c_{10}	120	120	120 mm
Height with low-profile support	c_{16}	37	37	37 mm
Total height (height with bottle trap)	c_{17}	109	109	109 mm
Width of rim	e_{10}, e_5	50; 50	50; 50	50; 50 mm
Diameter of waste hole	f_9	Ø 120	Ø 120	Ø 120 mm
Bottle trap connection height	f_{10}	78	78	78 mm
Distance bath edge to centre of waste hole	f_2, f_3	200; 200	200; 200	200; 200 mm
External radius	r_1	12	12	12 mm
Net weight		16	21	20 kg
Diameter of anti-slip		Ø 435	Ø 435	Ø 435 mm
Full anti-slip		586 x 565	649 x 673	533 x 781 mm
ANTI-SLIP SECURE PLUS		full base	full base	full base

	Drain Hole	Model Order No.	Dimensions mm	Colour price groups			GBP
				Alpine White (I)	Sanitary Colours (II, III)	Coord. Colours (IV)	
SUPERPLAN PLUS	Ø 120 mm	469-1 46970001xxxx	800 x 800 x 25	586.00	764.00	586.00	
		475-1 47000001xxxx	900 x 900 x 25	586.00	764.00	586.00	
		476-1 47010001xxxx	1000 x 750 x 25	804.00	1,045.00	804.00	
SUPERPLAN PLUS WITH SUPPORT Total height with support: 120 mm	Ø 120 mm	469-2 46974804xxxx	800 x 800 x 25	646.00	839.00	646.00	
		475-2 47004804xxxx	900 x 900 x 25	646.00	839.00	646.00	
		476-2 47014804xxxx	1000 x 750 x 25	883.00	1,147.00	883.00	
SUPERPLAN PLUS WITH LOW PROFILE SUPPORT	Ø 120 mm	469-5 46974798xxxx	800 x 800 x 25	619.00	804.00	619.00	
		475-5 47004798xxxx	900 x 900 x 25	619.00	804.00	619.00	
		476-5 47014798xxxx	1000 x 750 x 25	847.00	1,099.00	847.00	
OPTIONAL: KALDEWEI PERFECTION SURFACE FINISHES			PRICE	(I)	(II), (III)	(IV)	
EXTRA CHARGE FOR EASY-CLEAN FINISH		xxxxxxx3xxx		82.00	82.00	82.00	
ANTI-SLIP SECURE PLUS Standard-compliant slip resistance (Evaluation group B according to DIN 51097, R10 according to DIN 51130). Fired into the enamel – Slip resistant surface over the entire surface, matt finish only . Cannot be combined with easy-clean finish		xxxxxxx2xxx		without extra charge		without extra charge	
FULL ANTI-SLIP Fired into the enamel – Slip resistant pattern over almost the entire surface				236.00	236.00		
PARTIAL ANTI-SLIP Fired into the enamel – Slip resistant pattern over part of the surface				117.50	117.50		
REQUIRED: KALDEWEI PROFESSIONAL INFLOW/OUTFLOW TECHNOLOGY ●¹			PRICE	(I)	(II), (III)	(IV)	
WASTE FITTING KA 120 HORIZONTAL without waste cover, hair catcher included. Universally applicable for FR and ESR.		4106 687772530000	107.50				
WASTE FITTING KA 120 FLAT without waste cover, hair catcher included. Universally applicable for FR and ESR.		4107 687772510000	127.00				
WASTE FITTING KA 120 VERTICAL without waste cover, hair catcher included. Universally applicable for FR and ESR.		4108 687772520000	146.50				
WASTE COVER KA 120 FOR SUPERPLAN PLUS enamelled enamelled ANTI-SLIP SECURE PLUS		68777258xxxx 687772582xxxx		39.50 39.50	78.50	39.50 39.50	
OPTIONAL: KALDEWEI PROFESSIONAL INSTALLATION ●¹			PRICE	(I)	(II), (III)	(IV)	
ESR FLOOR LEVEL INSTALLATION SYSTEM (FOR -1 MODELS) 800 x 800 (actual installation size ESR 828 x 828) 900 x 900 (actual installation size ESR 928 x 928) 1000 x 750 (actual installation size ESR 1028 x 778)		640000110000 640000150000 640000160000	281.00 281.00 281.00				
SHOWER TRAY FOOT FRAME FR 5300 Size adjustment up to 900 x 900 Size adjustment up to 1200 x 1200		53000012xxxx 530000130000	113.50 124.50				
CENTRAL SUPPORT SYSTEM MAS 5305 required for shower trays larger than 900 mm		688076530000	25.50				
OPTIONAL: KALDEWEI PROFESSIONAL WATERPROOF ●¹			PRICE	(I)	(II), (III)	(IV)	
SEALING KIT FLOOR-LEVEL		689720490000	143.50				
SEALING KIT FLEX		689720520000	48.50				
CUT PROTECTION TAPE 4,6M for shower surfaces ≤ 1000 x 1200 mm		689720570000	63.50				
OPTIONAL: KALDEWEI SILENCE PLUS ●¹			PRICE	(I)	(II), (III)	(IV)	
SHOWER TRAY SOUND ABSORBING SET DW-ADS		687675720000	34.50				

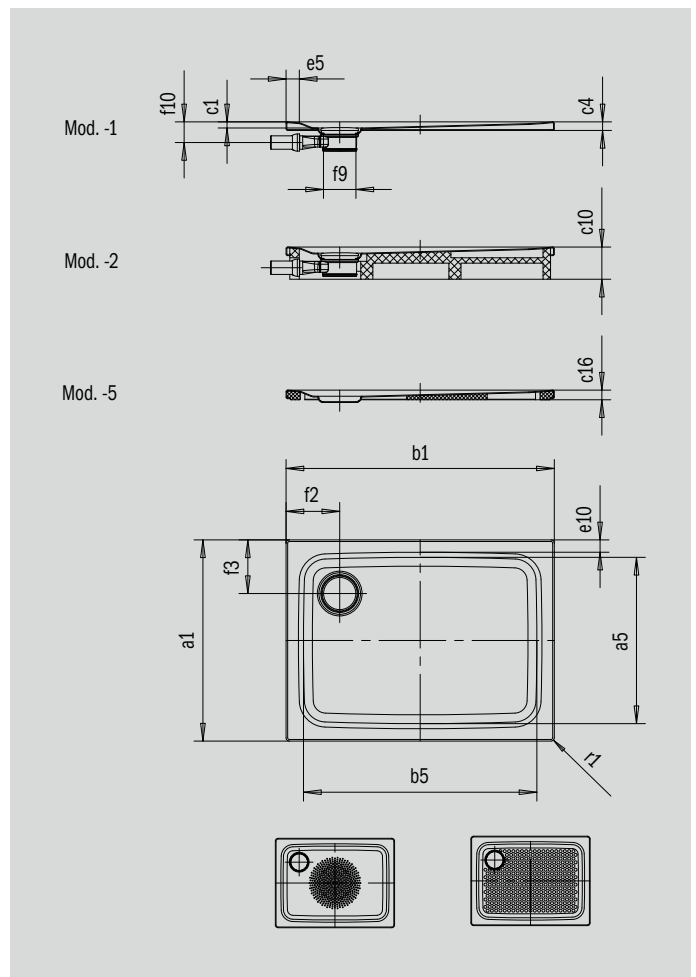
SUPERPLAN PLUS

- elegant, puristic design
- can be installed to be absolutely flush with the floor
- maximum standing comfort thanks to the flat enamelled waste cover that is set flush in the shower tray
- made of KALDEWEI steel enamel



Similar illustration

Model-1	Total height			Fitting height		
	477	478	479	477	478	479
KA 120 horizontal	108	108	108	83	83	83
KA 120 flat	88	88	88	63	63	63
KA 120 vertical	49	49	49	83	83	83
Model-2	120	120	120			
Model-5	477	478	479	477	478	479
KA 120 horizontal	108	108	108	83	83	83
KA 120 flat	88	88	88	63	63	63
KA 120 vertical	37	37	37	83	83	83



ANTISLIP
SECURE⁺

Model		477	478	479
External length	a_1	800	900	1000 mm
Internal length	a_5	700	790	870 mm
External width	b_1	1000	1000	1000 mm
Internal width	b_5	900	890	870 mm
Depth inside	c_1	25	25	25 mm
Height of rim	c_4	32	32	32 mm
Height with support	c_{10}	120	120	120 mm
Height with low-profile support	c_{16}	37	37	37 mm
Total height (height with bottle trap)	c_{17}	109	109	109 mm
Width of rim	e_{10}, e_5	50; 50	50; 50	50; 50 mm
Diameter of waste hole	f_9	Ø 120	Ø 120	Ø 120 mm
Bottle trap connection height	f_{10}	78	78	78 mm
Distance bath edge to centre of waste hole	f_2, f_3	200; 200	200; 200	200; 200 mm
External radius	r_1	12	12	12 mm
Net weight		21	24	27 kg
Diameter of anti-slip		Ø 435	Ø 588	Ø 588 mm
Full anti-slip		586 x 781	649 x 781	733 x 781 mm
ANTI-SLIP SECURE PLUS		full base	full base	full base

Subject to technical alterations, tolerances and errors. Similar illustration.

KALDEWEI

	Drain Hole	Model Order No.	Dimensions mm	Colour price groups			GBP
				Alpine White (I)	Sanitary Colours (II, III)	Coord. Colours (IV)	
SUPERPLAN PLUS	Ø 120 mm	477-1 47020001xxxx	1000 x 800 x 25	785.00	1,020.00	785.00	
		478-1 47030001xxxx	1000 x 900 x 25	785.00	1,020.00	785.00	
		479-1 47040001xxxx	1000 x 1000 x 25	785.00	1,020.00	785.00	
SUPERPLAN PLUS WITH SUPPORT Total height with support: 120 mm	Ø 120 mm	477-2 47024804xxxx	1000 x 800 x 25	862.00	1,122.00	862.00	
		478-2 47034804xxxx	1000 x 900 x 25	862.00	1,122.00	862.00	
		479-2 47044804xxxx	1000 x 1000 x 25	862.00	1,122.00	862.00	
SUPERPLAN PLUS WITH LOW PROFILE SUPPORT	Ø 120 mm	477-5 47024798xxxx	1000 x 800 x 25	825.00	1,074.00	825.00	
		478-5 47034798xxxx	1000 x 900 x 25	825.00	1,074.00	825.00	
		479-5 47044798xxxx	1000 x 1000 x 25	825.00	1,074.00	825.00	
OPTIONAL: KALDEWEI PERFECTION SURFACE FINISHES			PRICE	(I)	(II), (III)	(IV)	
EXTRA CHARGE FOR EASY-CLEAN FINISH		xxxxxxx3xxx		82.00	82.00	82.00	
ANTI-SLIP SECURE PLUS Standard-compliant slip resistance (Evaluation group B according to DIN 51097, R10 according to DIN 51130). Fired into the enamel – Slip resistant surface over the entire surface, matt finish only . Cannot be combined with easy-clean finish		xxxxxxx2xxx		without extra charge		without extra charge	
FULL ANTI-SLIP Fired into the enamel – Slip resistant pattern over almost the entire surface				236.00	236.00		
PARTIAL ANTI-SLIP Fired into the enamel – Slip resistant pattern over part of the surface				117.50	117.50		
REQUIRED: KALDEWEI PROFESSIONAL INFLOW/OUTFLOW TECHNOLOGY ●¹			PRICE	(I)	(II), (III)	(IV)	
WASTE FITTING KA 120 HORIZONTAL without waste cover, hair catcher included. Universally applicable for FR and ESR.		4106 687772530000	107.50				
WASTE FITTING KA 120 FLAT without waste cover, hair catcher included. Universally applicable for FR and ESR.		4107 687772510000	127.00				
WASTE FITTING KA 120 VERTICAL without waste cover, hair catcher included. Universally applicable for FR and ESR.		4108 687772520000	146.50				
WASTE COVER KA 120 FOR SUPERPLAN PLUS enamelled enamelled ANTI-SLIP SECURE PLUS		68777258xxxx 687772582xxxx		39.50 39.50	78.50	39.50 39.50	
OPTIONAL: KALDEWEI PROFESSIONAL INSTALLATION ●¹			PRICE	(I)	(II), (III)	(IV)	
ESR FLOOR LEVEL INSTALLATION SYSTEM (FOR -1 MODELS) 1000 x 800 (actual installation size ESR 1028 x 828) 1000 x 900 (actual installation size ESR 1028 x 928) 1000 x 1000 (actual installation size ESR 1028 x 1028)		640000170000 640000180000 640000190000	281.00 281.00 281.00				
SHOWER TRAY FOOT FRAME FR 5300 Size adjustment up to 1200 x 1200		530000130000	124.50				
CENTRAL SUPPORT SYSTEM MAS 5305 required for shower trays larger than 900 mm		688076530000	25.50				
OPTIONAL: KALDEWEI PROFESSIONAL WATERPROOF ●¹			PRICE	(I)	(II), (III)	(IV)	
SEALING KIT FLOOR-LEVEL		689720490000	143.50				
SEALING KIT FLEX		689720520000	48.50				
CUT PROTECTION TAPE 4,6M for shower surfaces ≤ 1000 x 1200 mm		689720570000	63.50				
OPTIONAL: KALDEWEI SILENCE PLUS ●¹			PRICE	(I)	(II), (III)	(IV)	
SHOWER TRAY SOUND ABSORBING SET DW-ADS		687675720000	34.50				

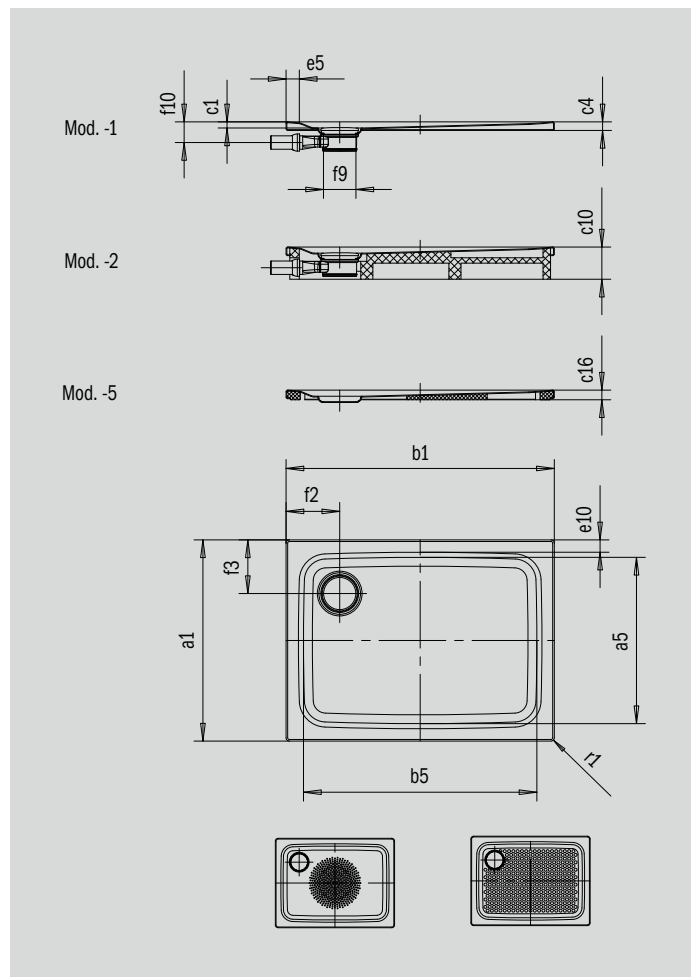
SUPERPLAN PLUS

- elegant, puristic design
- can be installed to be absolutely flush with the floor
- maximum standing comfort thanks to the flat enamelled waste cover that is set flush in the shower tray
- made of KALDEWEI steel enamel



Similar illustration

Model-1	Total height			Fitting height		
	480	481	482	480	481	482
KA 120 horizontal	108	108	108	83	83	83
KA 120 flat	88	88	88	63	63	63
KA 120 vertical	49	49	49	83	83	83
Model-2	120	120	120			
Model-5	480	481	482	480	481	482
KA 120 horizontal	108	108	108	83	83	83
KA 120 flat	88	88	88	63	63	63
KA 120 vertical	37	37	37	83	83	83



ANTISLIP
SECURE⁺

Model		480	481	482
External length	a_1	900	700	750 mm
Internal length	a_5	790	590	640 mm
External width	b_1	1100	1200	1200 mm
Internal width	b_5	990	1090	1090 mm
Depth inside	c_1	25	25	25 mm
Height of rim	c_4	32	32	32 mm
Height with support	c_{10}	120	120	120 mm
Height with low-profile support	c_{16}	37	37	37 mm
Total height (height with bottle trap)	c_{17}	109	109	109 mm
Width of rim	e_{10}, e_5	50; 50	50; 50	75; 50 mm
Diameter of waste hole	f_9	Ø 120	Ø 120	Ø 120 mm
Bottle trap connection height	f_{10}	78	78	78 mm
Distance bath edge to centre of waste hole	f_2, f_3	200; 200	200; 200	200; 225 mm
External radius	r_1	12	12	12 mm
Net weight		25	23	24 kg
Diameter of anti-slip		Ø 588	Ø 435	Ø 435 mm
Full anti-slip		649 x 853	462 x 997	524 x 997 mm
ANTI-SLIP SECURE PLUS		full base	full base	full base

Subject to technical alterations, tolerances and errors. Similar illustration.

KALDEWEI

	Drain Hole	Model Order No.	Dimensions mm	Colour price groups			GBP
				Alpine White (I)	Sanitary Colours (II, III)	Coord. Colours (IV)	
SUPERPLAN PLUS	Ø 120 mm	480-1 47050001xxxx	1100 x 900 x 25	860.00	1,116.00	860.00	
		481-1 47060001xxxx	1200 x 700 x 25	914.00	1,188.00	914.00	
		482-1 47070001xxxx	1200 x 750 x 25	914.00	1,188.00	914.00	
SUPERPLAN PLUS WITH SUPPORT Total height with support: 120 mm	Ø 120 mm	480-2 47054804xxxx	1100 x 900 x 25	937.00	1,219.00	937.00	
		481-2 47064804xxxx	1200 x 700 x 25	993.00	1,290.00	993.00	
		482-2 47074804xxxx	1200 x 750 x 25	993.00	1,290.00	993.00	
SUPERPLAN PLUS WITH LOW PROFILE SUPPORT	Ø 120 mm	480-5 47054798xxxx	1100 x 900 x 25	901.00	1,170.00	901.00	
		481-5 47064798xxxx	1200 x 700 x 25	955.00	1,242.00	955.00	
		482-5 47074798xxxx	1200 x 750 x 25	955.00	1,242.00	955.00	
OPTIONAL: KALDEWEI PERFECTION SURFACE FINISHES			PRICE	(I)	(II), (III)	(IV)	
EXTRA CHARGE FOR EASY-CLEAN FINISH		xxxxxxx3xxx		82.00	82.00	82.00	
ANTI-SLIP SECURE PLUS Standard-compliant slip resistance (Evaluation group B according to DIN 51097, R10 according to DIN 51130). Fired into the enamel – Slip resistant surface over the entire surface, matt finish only . Cannot be combined with easy-clean finish		xxxxxxx2xxx		without extra charge		without extra charge	
FULL ANTI-SLIP Fired into the enamel – Slip resistant pattern over almost the entire surface				236.00	236.00		
PARTIAL ANTI-SLIP Fired into the enamel – Slip resistant pattern over part of the surface				117.50	117.50		
REQUIRED: KALDEWEI PROFESSIONAL INFLOW/OUTFLOW TECHNOLOGY ●¹			PRICE	(I)	(II), (III)	(IV)	
WASTE FITTING KA 120 HORIZONTAL without waste cover, hair catcher included. Universally applicable for FR and ESR.		4106 687772530000	107.50				
WASTE FITTING KA 120 FLAT without waste cover, hair catcher included. Universally applicable for FR and ESR.		4107 687772510000	127.00				
WASTE FITTING KA 120 VERTICAL without waste cover, hair catcher included. Universally applicable for FR and ESR.		4108 687772520000	146.50				
WASTE COVER KA 120 FOR SUPERPLAN PLUS enamelled enamelled ANTI-SLIP SECURE PLUS		68777258xxxx 687772582xxxx		39.50 39.50	78.50	39.50 39.50	
OPTIONAL: KALDEWEI PROFESSIONAL INSTALLATION ●¹			PRICE	(I)	(II), (III)	(IV)	
ESR FLOOR LEVEL INSTALLATION SYSTEM (FOR -1 MODELS) 1100 x 900 (actual installation size ESR 1128 x 928) 1200 x 700 (actual installation size ESR 1228 x 728) 1200 x 750 (actual installation size ESR 1228 x 778)		640000210000 640000220000 640000230000	281.00 310.00 310.00				
SHOWER TRAY FOOT FRAME FR 5300 Size adjustment up to 1200 x 1200		530000130000	124.50				
CENTRAL SUPPORT SYSTEM MAS 5305 required for shower trays larger than 900 mm		688076530000	25.50				
OPTIONAL: KALDEWEI PROFESSIONAL WATERPROOF ●¹			PRICE	(I)	(II), (III)	(IV)	
SEALING KIT FLOOR-LEVEL		689720490000	143.50				
SEALING KIT FLEX		689720520000	48.50				
CUT PROTECTION TAPE 6,6M for shower surfaces > 1000 x 1200 mm		689720580000	91.50				
OPTIONAL: KALDEWEI SILENCE PLUS ●¹			PRICE	(I)	(II), (III)	(IV)	
SHOWER TRAY SOUND ABSORBING SET DW-ADS		687675720000	34.50				



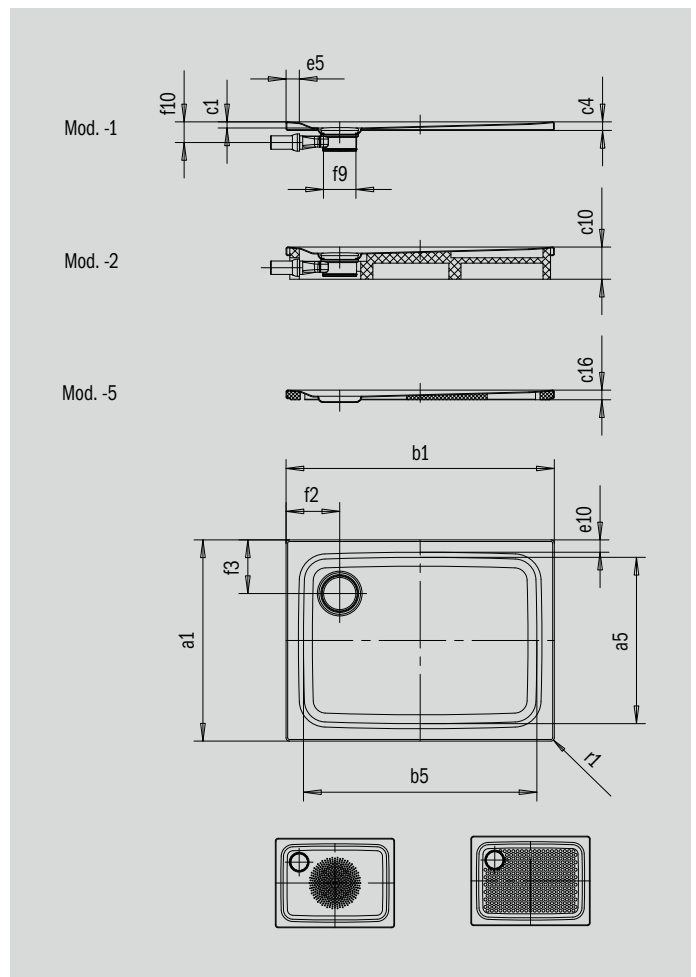
SUPERPLAN PLUS

- elegant, puristic design
- can be installed to be absolutely flush with the floor
- maximum standing comfort thanks to the flat enamelled waste cover that is set flush in the shower tray
- made of KALDEWEI steel enamel



Similar illustration

Model-1	Total height			Fitting height		
	483	484	485	483	484	485
KA 120 horizontal	108	108	108	83	83	83
KA 120 flat	88	88	88	63	63	63
KA 120 vertical	49	49	49	83	83	83
Model-2	120	120	120			
Model-5	483	484	485	483	484	485
KA 120 horizontal	108	108	108	83	83	83
KA 120 flat	88	88	88	63	63	63
KA 120 vertical	37	37	37	83	83	83



ANTISLIP
SECURE⁺

Model		483	484	485
External length	a ₁	800	900	1000 mm
Internal length	a ₅	700	790	890 mm
External width	b ₁	1200	1200	1200 mm
Internal width	b ₅	1100	1090	1090 mm
Depth inside	c ₁	25	25	25 mm
Height of rim	c ₄	32	32	32 mm
Height with support	c ₁₀	120	120	120 mm
Height with low-profile support	c ₁₆	37	37	37 mm
Total height (height with bottle trap)	c ₁₇	109	109	109 mm
Width of rim	e ₁₀ ; e ₅	50; 50	50; 50	50; 50 mm
Diameter of waste hole	f ₉	Ø 120	Ø 120	Ø 120 mm
Bottle trap connection height	f ₁₀	78	78	78 mm
Distance bath edge to centre of waste hole	f ₂ ; f ₃	200; 200	200; 200	200; 200 mm
External radius	r ₁	12	12	12 mm
Net weight		25	28	31 kg
Diameter of anti-slip		Ø 588	Ø 588	Ø 588 mm
Full anti-slip		586 x 997	649 x 997	773 x 997 mm
ANTI-SLIP SECURE PLUS		full base	full base	full base

Subject to technical alterations, tolerances and errors. Similar illustration.

KALDEWEI

	Drain Hole	Model Order No.	Dimensions mm	Colour price groups			GBP
				Alpine White (I)	Sanitary Colours (II, III)	Coord. Colours (IV)	
SUPERPLAN PLUS	Ø 120 mm	483-1 47080001xxxx	1200 x 800 x 25	891.00	1,157.00	891.00	
		484-1 47090001xxxx	1200 x 900 x 25	891.00	1,157.00	891.00	
		485-1 47100001xxxx	1200 x 1000 x 25	891.00	1,157.00	891.00	
SUPERPLAN PLUS WITH SUPPORT Total height with support: 120 mm	Ø 120 mm	483-2 47084804xxxx	1200 x 800 x 25	970.00	1,261.00	970.00	
		484-2 47094804xxxx	1200 x 900 x 25	970.00	1,261.00	970.00	
		485-2 47104804xxxx	1200 x 1000 x 25	970.00	1,261.00	970.00	
SUPERPLAN PLUS WITH LOW PROFILE SUPPORT	Ø 120 mm	483-5 47084798xxxx	1200 x 800 x 25	931.00	1,211.00	931.00	
		484-5 47094798xxxx	1200 x 900 x 25	931.00	1,211.00	931.00	
		485-5 47104798xxxx	1200 x 1000 x 25	931.00	1,211.00	931.00	
OPTIONAL: KALDEWEI PERFECTION SURFACE FINISHES			PRICE	(I)	(II), (III)	(IV)	
EXTRA CHARGE FOR EASY-CLEAN FINISH		xxxxxxx3xxx		82.00	82.00	82.00	
ANTI-SLIP SECURE PLUS Standard-compliant slip resistance (Evaluation group B according to DIN 51097, R10 according to DIN 51130). Fired into the enamel – Slip resistant surface over the entire surface, matt finish only . Cannot be combined with easy-clean finish		xxxxxxx2xxx		without extra charge		without extra charge	
FULL ANTI-SLIP Fired into the enamel – Slip resistant pattern over almost the entire surface				236.00	236.00		
PARTIAL ANTI-SLIP Fired into the enamel – Slip resistant pattern over part of the surface				117.50	117.50		
REQUIRED: KALDEWEI PROFESSIONAL INFLOW/OUTFLOW TECHNOLOGY ●¹			PRICE	(I)	(II), (III)	(IV)	
WASTE FITTING KA 120 HORIZONTAL without waste cover, hair catcher included. Universally applicable for FR and ESR.		4106 687772530000	107.50				
WASTE FITTING KA 120 FLAT without waste cover, hair catcher included. Universally applicable for FR and ESR.		4107 687772510000	127.00				
WASTE FITTING KA 120 VERTICAL without waste cover, hair catcher included. Universally applicable for FR and ESR.		4108 687772520000	146.50				
WASTE COVER KA 120 FOR SUPERPLAN PLUS enamelled enamelled ANTI-SLIP SECURE PLUS		68777258xxxx 687772582xxxx		39.50 39.50	78.50	39.50 39.50	
OPTIONAL: KALDEWEI PROFESSIONAL INSTALLATION ●¹			PRICE	(I)	(II), (III)	(IV)	
ESR FLOOR LEVEL INSTALLATION SYSTEM (FOR -1 MODELS) 1200 x 800 (actual installation size ESR 1228 x 828) 1200 x 900 (actual installation size ESR 1228 x 928) 1200 x 1000 (actual installation size ESR 1228 x 1028)		640000240000 640000250000 640000270000	310.00 310.00 310.00				
SHOWER TRAY FOOT FRAME FR 5300 Size adjustment up to 1200 x 1200		530000130000	124.50				
CENTRAL SUPPORT SYSTEM MAS 5305 required for shower trays larger than 900 mm		688076530000	25.50				
OPTIONAL: KALDEWEI PROFESSIONAL WATERPROOF ●¹			PRICE	(I)	(II), (III)	(IV)	
SEALING KIT FLOOR-LEVEL		689720490000	143.50				
SEALING KIT FLEX		689720520000	48.50				
CUT PROTECTION TAPE 6,6M for shower surfaces > 1000 x 1200 mm		689720580000	91.50				
OPTIONAL: KALDEWEI SILENCE PLUS ●¹			PRICE	(I)	(II), (III)	(IV)	
SHOWER TRAY SOUND ABSORBING SET DW-ADS		687675720000	34.50				



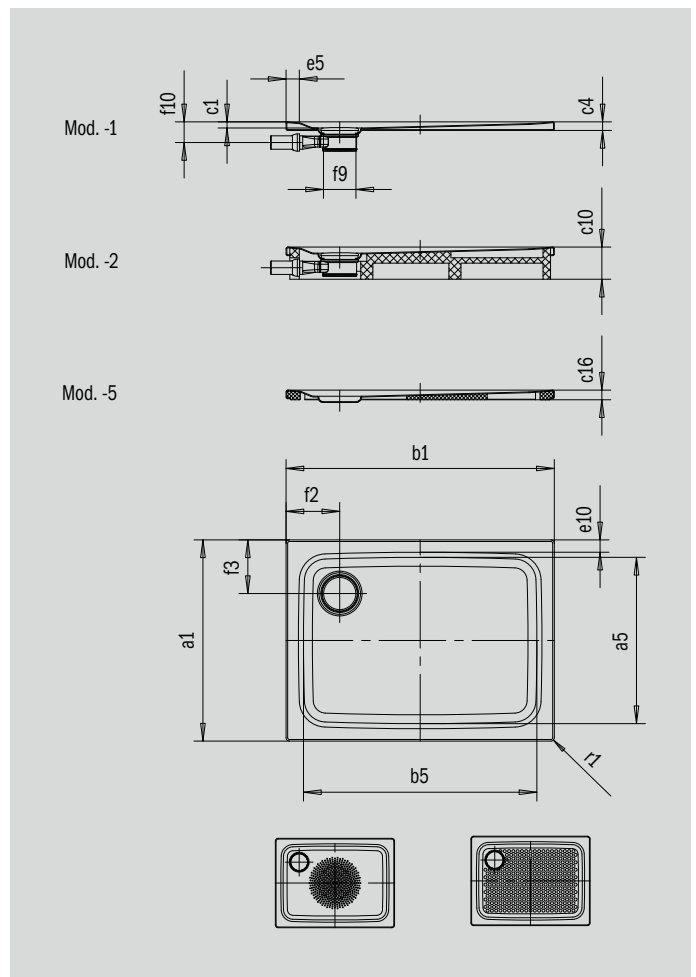
SUPERPLAN PLUS

- elegant, puristic design
- can be installed to be absolutely flush with the floor
- maximum standing comfort thanks to the flat enamelled waste cover that is set flush in the shower tray
- made of KALDEWEI steel enamel



Similar illustration

Model-1	Total height		Fitting height	
	486	494	486	494
KA 120 horizontal	108	135	83	83
KA 120 flat	88	115	63	63
KA 120 vertical	49	49	83	83
Model-2	120	145		
Model-5	486	494	486	494
KA 120 horizontal	108	-	83	-
KA 120 flat	88	-	63	-
KA 120 vertical	37	-	83	-



ANTISLIP
SECURE⁺

Model		486	494
External length	a_1	1200	1500 mm
Internal length	a_5	1070	1390 mm
External width	b_1	1200	1500 mm
Internal width	b_5	1070	1390 mm
Depth inside	c_1	25	52 mm
Height of rim	c_4	32	32 mm
Height with support	c_{10}	120	145 mm
Height with low-profile support	c_{16}	37	
Total height (height with bottle trap)	c_{17}	109	136 mm
Width of rim	e_{10}, e_5	50; 50	50; 50 mm
Diameter of waste hole	f_9	Ø 120	Ø 120 mm
Bottle trap connection height	f_{10}	78	105 mm
Distance bath edge to centre of waste hole	f_2, f_3	200; 200	200; 200 mm
External radius	r_1	12	12 mm
Net weight		37	58 kg
Diameter of anti-slip		Ø 588	Ø 861 mm
Full anti-slip		1060 x 1105	1393 x 1393 mm
ANTI-SLIP SECURE PLUS		full base	full base

Subject to technical alterations, tolerances and errors. Similar illustration.

KALDEWEI

	Drain Hole	Model Order No.	Dimensions mm	Colour price groups			GBP
				Alpine White (I)	Sanitary Colours (II, III)	Coord. Colours (IV)	
SUPERPLAN PLUS	Ø 120 mm	486-1	1200 x 1200 x 25	879.00	1,143.00	879.00	
		4711 0001 xxxx	1500 x 1500 x 52	1,461.00	1,899.00	1,461.00	
		494-1 4714 0001 xxxx					
SUPERPLAN PLUS WITH SUPPORT Total height with support: 120 mm	Ø 120 mm	486-2 4711 4804 xxxx	1200 x 1200 x 25	958.00	1,246.00	958.00	
SUPERPLAN PLUS WITH SUPPORT Total height with support: 145 mm	Ø 120 mm	494-2 4714 4804 xxxx	1500 x 1500 x 52	1,569.00	2,040.00	1,569.00	
SUPERPLAN PLUS WITH LOW PROFILE SUPPORT	Ø 120 mm	486-5 4711 4798 xxxx	1200 x 1200 x 25	920.00	1,197.00	920.00	
OPTIONAL: KALDEWEI PERFECTION SURFACE FINISHES			PRICE	(I)	(II), (III)	(IV)	
EXTRA CHARGE FOR EASY-CLEAN FINISH	xxxxxxx3xxx			82.00	82.00	82.00	
ANTI-SLIP SECURE PLUS Standard-compliant slip resistance (Evaluation group B according to DIN 51097, R10 according to DIN 51130). Fired into the enamel – Slip resistant surface over the entire surface, matt finish only . Cannot be combined with easy-clean finish	xxxxxxx2xxx			without extra charge		without extra charge	
FULL ANTI-SLIP Fired into the enamel – Slip resistant pattern over almost the entire surface				236.00	236.00		
PARTIAL ANTI-SLIP Fired into the enamel – Slip resistant pattern over part of the surface				117.50	117.50		
REQUIRED: KALDEWEI PROFESSIONAL INFLOW/OUTFLOW TECHNOLOGY ●¹			PRICE	(I)	(II), (III)	(IV)	
WASTE FITTING KA 120 HORIZONTAL without waste cover, hair catcher included. Universally applicable for FR and ESR.	4106 687772530000		107.50				
WASTE FITTING KA 120 FLAT without waste cover, hair catcher included. Universally applicable for FR and ESR.	4107 687772510000		127.00				
WASTE FITTING KA 120 VERTICAL without waste cover, hair catcher included. Universally applicable for FR and ESR.	4108 687772520000		146.50				
WASTE COVER KA 120 FOR SUPERPLAN PLUS enamelled enamelled ANTI-SLIP SECURE PLUS	68777258xxxx 687772582xxx			39.50 39.50	78.50	39.50 39.50	
OPTIONAL: KALDEWEI PROFESSIONAL INSTALLATION ●¹			PRICE	(I)	(II), (III)	(IV)	
ESR FLOOR LEVEL INSTALLATION SYSTEM (FOR -1 MODELS) 1200 x 1200 (actual installation size ESR 1228 x 1228) 1500 x 1500 (actual installation size ESR 1528 x 1528)	6400 0028 0000 6400 0041 0000		310.00 506.00				
SHOWER TRAY FOOT FRAME FR 5300 Size adjustment up to 1200 x 1200 Size adjustment up to 1800 x 1500	5300 0013 0000 5300 0014 0000		124.50 177.00				
CENTRAL SUPPORT SYSTEM MAS 5305 required for shower trays larger than 900 mm	6880 7653 0000		25.50				
OPTIONAL: KALDEWEI PROFESSIONAL WATERPROOF ●¹			PRICE	(I)	(II), (III)	(IV)	
SEALING KIT FLOOR-LEVEL	6897 2049 0000		143.50				
SEALING KIT FLEX	6897 2052 0000		48.50				
CUT PROTECTION TAPE 6,6M for shower surfaces > 1000 x 1200 mm	6897 2058 0000		91.50				
OPTIONAL: KALDEWEI SILENCE PLUS ●¹			PRICE	(I)	(II), (III)	(IV)	
SHOWER TRAY SOUND ABSORBING SET DW-ADS	6876 7572 0000		34.50				

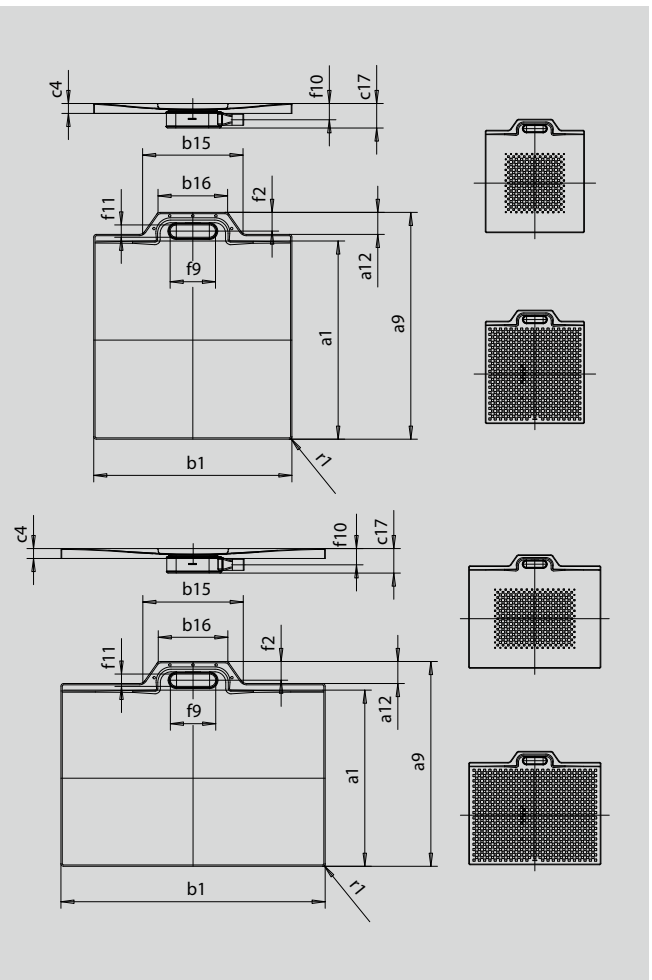
Discontinued item

- Puristic, uniform surface with no distracting elements
- Barrier-free access thanks to floor-flush integration
- Protection against moisture penetration because of the joint-free surface
- Integrated slope ensures perfect water drainage
- Assembly-friendly system solution – all components are perfectly compatible with one another
- made of KALDEWEI steel enamel
- only for floor-level installation



Similar illustration

Model	Total height						Fitting height					
	885	886	887	888	889	890	885	886	887	888	889	890
KA 200	112	112	112	112	112	112	87	87	87	87	87	87

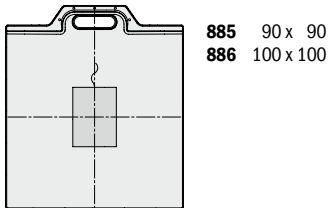


ANTISLIP **SECURE⁺**

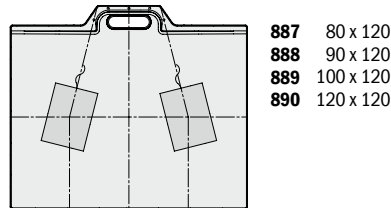
For installing the XETIS system solution a Central Support System is necessary. The number and position can be seen on the following arrays.

Number and positioning:

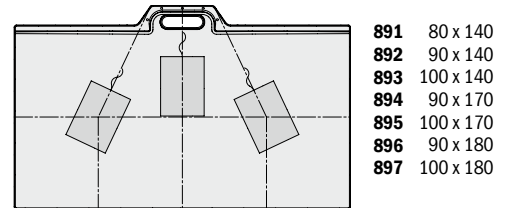
1 x MAS



2 x MAS



3 x MAS



Model		885	886	887	888	889	890
External length	a ₁	900	1000	800	900	1000	1200 mm
Total length incl. waste area	a ₉	1030	1130	930	1030	1130	1330 mm
Length of waste area	a ₁₂	100	100	100	100	100	100 mm
External width	b ₁	900	1000	1200	1200	1200	1200 mm
Width of waste area Dimension a	b ₁₅	460	460	460	460	460	460 mm
Width of waste area Dimension b	b ₁₆	320	320	320	320	320	320 mm
Height of rim	c ₄	45	45	45	45	45	45 mm
Total height (height with bottle trap)	c ₁₇	112	112	112	112	112	112 mm
Distance bath edge to centre of waste hole	f ₂	85	85	85	85	85	85 mm
Diameter of waste hole	f ₉	Ø 205	Ø 205	Ø 205	Ø 205	Ø 205	Ø 205 mm
Bottle trap connection height	f ₁₀	74	74	74	74	74	74 mm
Diameter of waste hole	f ₁₁	Ø 55	Ø 55	Ø 55	Ø 55	Ø 55	Ø 55 mm
External radius	r ₁	12	12	12	12	12	12 mm
Net weight		21	28	27	29	33	39 kg
Anti-slip		540 x 540	540 x 540	540 x 732	540 x 732	540 x 732	540 x 540 mm
Full anti-slip		836 x 836	932 x 936	740 x 1124	836 x 1124	932 x 1124	1148 x 1184 mm
ANTI-SLIP SECURE PLUS		full base	full base	full base	full base	full base	full base

Subject to technical alterations, tolerances and errors. Similar illustration.

	Drain Hole	Model Order No.	Dimensions mm	Colour price groups			GBP
				Alpine White (I)	Sanitary Colours (II, III)	Coord. Colours (IV)	
XETIS	Ø 55 mm	885-1 48850001xxxx	900 x 900 x 45	862.00	1,122.00	862.00	
		886-1 48860001xxxx	1000 x 1000 x 45	1,045.00	1,359.00	1,045.00	
		887-1 48870001xxxx	1200 x 800 x 45	1,188.00	1,544.00	1,188.00	
		888-1 48880001xxxx	1200 x 900 x 45	1,188.00	1,544.00	1,188.00	
		889-1 48890001xxxx	1200 x 1000 x 45	1,188.00	1,544.00	1,188.00	
		890-1 48900001xxxx	1200 x 1200 x 45	1,409.00	1,832.00	1,409.00	
OPTIONAL: KALDEWEI PERFECTION SURFACE FINISHES			PRICE	(I)	(II), (III)	(IV)	
EXTRA CHARGE FOR EASY-CLEAN FINISH		xxxxxxx3xxx		82.00	82.00	82.00	
ANTI-SLIP SECURE PLUS Standard-compliant slip resistance (Evaluation group B according to DIN 51097, R10 according to DIN 51130). Fired into the enamel - Slip resistant surface over the entire surface, matt finish only . Cannot be combined with easy-clean finish		xxxxxxx2xxx		without extra charge		without extra charge	
FULL ANTI-SLIP Fired into the enamel - Slip resistant pattern over almost the entire surface				236.00	236.00		
PARTIAL ANTI-SLIP Fired into the enamel - Slip resistant pattern over part of the surface				117.50	117.50		
REQUIRED: KALDEWEI PROFESSIONAL INSTALLATION ●¹			PRICE	(I)	(II), (III)	(IV)	
XETIS INSTALLATION SET 1 with designer cover for tiling includes waste fitting KA 200, XETIS sealing system XDS, installation cover		687676310000		490.00			
XETIS INSTALLATION SET 2 with designer cover polished chrome plate includes waste fitting KA 200, XETIS sealing system XDS, installation cover		687676320000		490.00			
XETIS INSTALLATION SET 3 with designer cover, polished chrome, with collar includes waste fitting KA 200, XETIS sealing system XDS, installation cover		687676390000		490.00			
FOOT FRAME FR 5350 XETIS Size adjustment up to 900 x 1200 Size adjustment up to 1200x1200		530000290000 530000280000		228.50 266.00			
CENTRAL SUPPORT SYSTEM MAS 5305 required for shower trays larger than 900 mm		688076530000		25.50			
OPTIONAL: KALDEWEI PROFESSIONAL INSTALLATION ●¹			PRICE	(I)	(II), (III)	(IV)	
XETIS INSTALLATION SET PLUS 6.25m connecting sound insulating tape WAS 2 x sound insulation pads for fixing brackets 1 x installation leaflet		687676360000		39.50			
OPTIONAL: KALDEWEI PROFESSIONAL WATERPROOF ●¹			PRICE	(I)	(II), (III)	(IV)	
CUT PROTECTION TAPE 4,6M for shower surfaces ≤ 1000 x 1200 mm		689720570000		63.50			
CUT PROTECTION TAPE 6,6M for shower surfaces > 1000 x 1200 mm		689720580000		91.50			

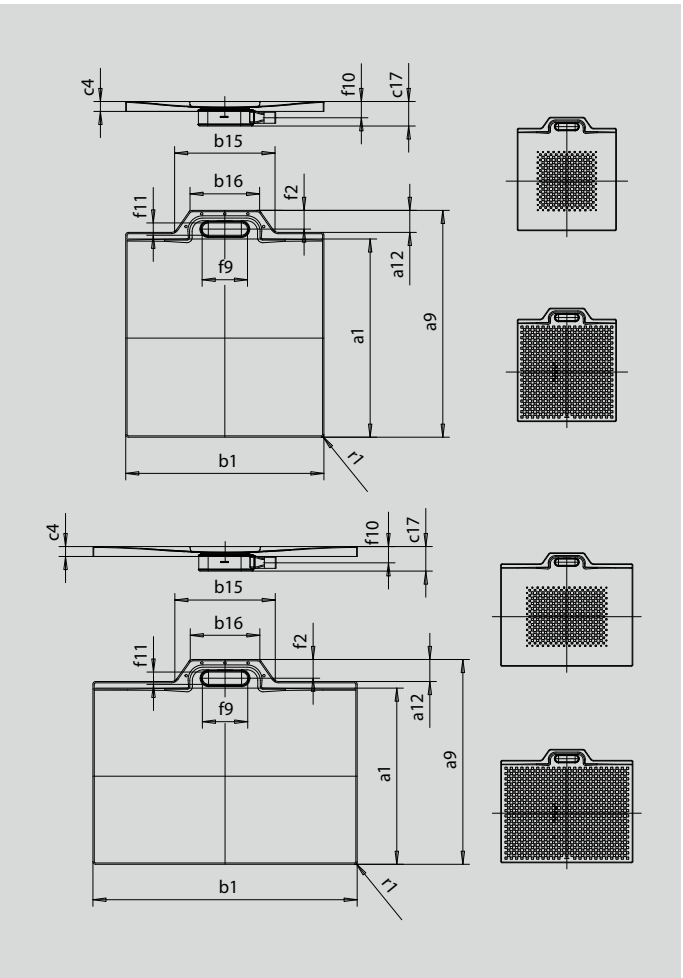
Discontinued item

- Puristic, uniform surface with no distracting elements
- Barrier-free access thanks to floor-flush integration
- Protection against moisture penetration because of the joint-free surface
- Integrated slope ensures perfect water drainage
- Assembly-friendly system solution – all components are perfectly compatible with one another
- made of KALDEWEI steel enamel
- only for floor-level installation



Similar illustration

Model	Total height								Fitting height							
	891	892	893	894	895	896	897	891	892	893	894	895	896	897		
KA 200	112	112	112	112	112	112	112	87	87	87	87	87	87	87		

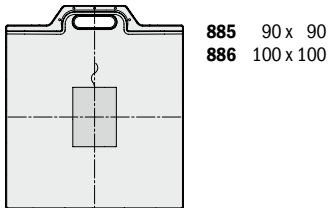


ANTISLIP **SECURE⁺**

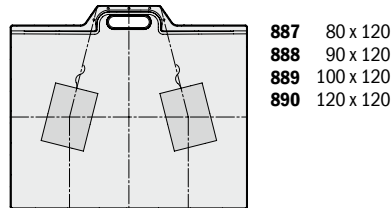
For installing the XETIS system solution a Central Support System is necessary. The number and position can be seen on the following arrays.

Number and positioning:

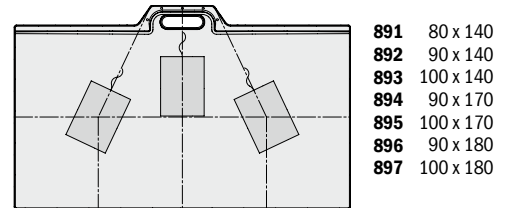
1 x MAS



2 x MAS



3 x MAS

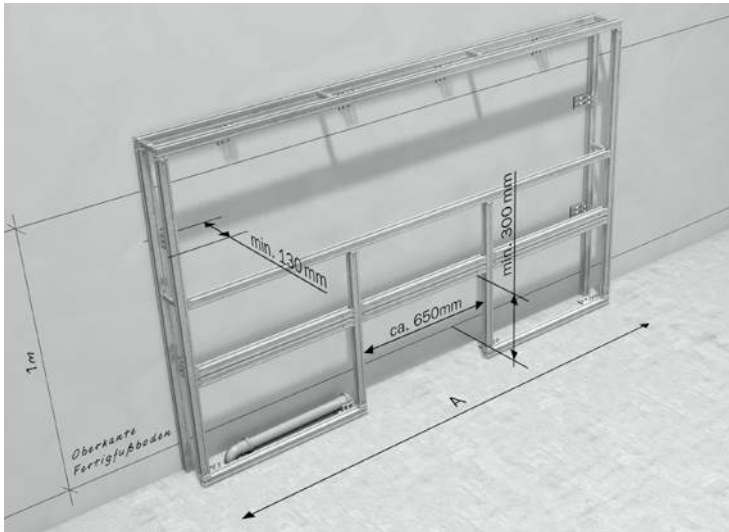


Model		891	892	893	894	895	896	897
External length	a ₁	800	900	1000	900	1000	900	1000 mm
Total length incl. waste area	a ₉	930	1030	1130	1030	1130	1030	1130 mm
Length of waste area	a ₁₂	100	100	100	100	100	100	100 mm
External width	b ₁	1400	1400	1400	1700	1700	1800	1800 mm
Width of waste area Dimension a	b ₁₅	460	460	460	460	460	460	460 mm
Width of waste area Dimension b	b ₁₆	320	320	320	320	320	320	320 mm
Height of rim	c ₄	45	45	45	45	45	45	45 mm
Total height (height with bottle trap)	c ₁₇	112	112	112	112	112	112	112 mm
Distance bath edge to centre of waste hole	f ₂	85	85	85	85	85	85	85 mm
Diameter of waste hole	f ₉	Ø 205	Ø 205	Ø 205	Ø 205	Ø 205	Ø 205	Ø 205 mm
Bottle trap connection height	f ₁₀	74	74	74	74	74	74	74 mm
Diameter of waste hole	f ₁₁	Ø 55	Ø 55	Ø 55	Ø 55	Ø 55	Ø 55	Ø 55 mm
External radius	r ₁	12	12	12	12	12	12	12 mm
Net weight		32	35	38	42	45	43	48 kg
Anti-slip		540 x 828	540 x 828	540 x 828	540 x 1020	540 x 1020	540 x 1020	540 x 1020 mm
Full anti-slip		740 x 1316	836 x 1316	932 x 1316	836 x 1652	932 x 1652	836 x 1748	932 x 1748 mm
ANTI-SLIP SECURE PLUS		full base	full base	full base	full base	full base	full base	full base

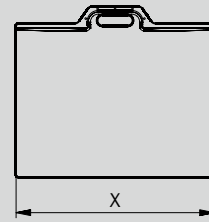
Subject to technical alterations, tolerances and errors. Similar illustration.

	Drain Hole	Model Order No.	Dimensions mm	Colour price groups			GBP
				Alpine White (I)	Sanitary Colours (II, III)	Coord. Colours (IV)	
XETIS	Ø 55 mm	891-1 48910001xxxx	1400 x 800 x 45	1,248.00	1,621.00	1,248.00	
		892-1 48920001xxxx	1400 x 900 x 45	1,248.00	1,621.00	1,248.00	
		893-1 48930001xxxx	1400 x 1000 x 45	1,307.00	1,700.00	1,307.00	
		894-1 48940001xxxx	1700 x 900 x 45	1,720.00	2,236.00	1,720.00	
		895-1 48950001xxxx	1700 x 1000 x 45	1,812.00	2,356.00	1,812.00	
		896-1 48960001xxxx	1800 x 900 x 45	1,872.00	2,433.00	1,872.00	
		897-1 48970001xxxx	1800 x 1000 x 45	2,531.00	3,291.00	2,531.00	
		OPTIONAL: KALDEWEI PERFECTION SURFACE FINISHES			PRICE	(I)	(II), (III)
EXTRA CHARGE FOR EASY-CLEAN FINISH	xxxxxxx3xxx		82.00	82.00	82.00		
ANTI-SLIP SECURE PLUS Standard-compliant slip resistance (Evaluation group B according to DIN 51097, R10 according to DIN 51130). Fired into the enamel – Slip resistant surface over the entire surface, matt finish only . Cannot be combined with easy-clean finish	xxxxxxx2xxx		without extra charge		without extra charge		
FULL ANTI-SLIP Fired into the enamel – Slip resistant pattern over almost the entire surface			236.00	236.00			
PARTIAL ANTI-SLIP Fired into the enamel – Slip resistant pattern over part of the surface			117.50	117.50			
REQUIRED: KALDEWEI PROFESSIONAL INSTALLATION ●¹			PRICE	(I)	(II), (III)	(IV)	
XETIS INSTALLATION SET 1 with designer cover for tiling includes waste fitting KA 200, XETIS sealing system XDS, installation cover	687676310000		490.00				
XETIS INSTALLATION SET 2 with designer cover polished chrome plate includes waste fitting KA 200, XETIS sealing system XDS, installation cover	687676320000		490.00				
XETIS INSTALLATION SET 3 with designer cover, polished chrome, with collar includes waste fitting KA 200, XETIS sealing system XDS, installation cover	687676390000		490.00				
FOOT FRAME FR 5350 XETIS Size adjustment up to 1000 x 1800	530000270000		342.00				
CENTRAL SUPPORT SYSTEM MAS 5305 required for shower trays larger than 900 mm	688076530000		25.50				
OPTIONAL: KALDEWEI PROFESSIONAL INSTALLATION ●¹			PRICE	(I)	(II), (III)	(IV)	
XETIS INSTALLATION SET PLUS 6.25m connecting sound insulating tape WAS 2 x sound insulation pads for fixing brackets 1 x installation leaflet	687676360000		39.50				
OPTIONAL: KALDEWEI PROFESSIONAL WATERPROOF ●¹			PRICE	(I)	(II), (III)	(IV)	
CUT PROTECTION TAPE 6,6M for shower surfaces > 1000 x 1200 mm	689720580000		91.50				

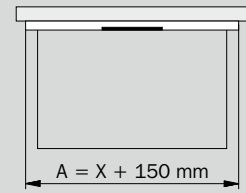
PLANNING GUIDE XETIS



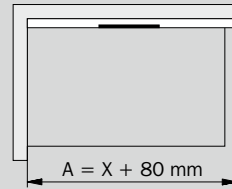
Installation options:



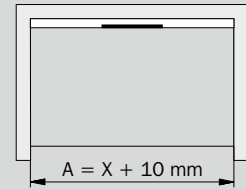
Single-side wall connection



corner installation



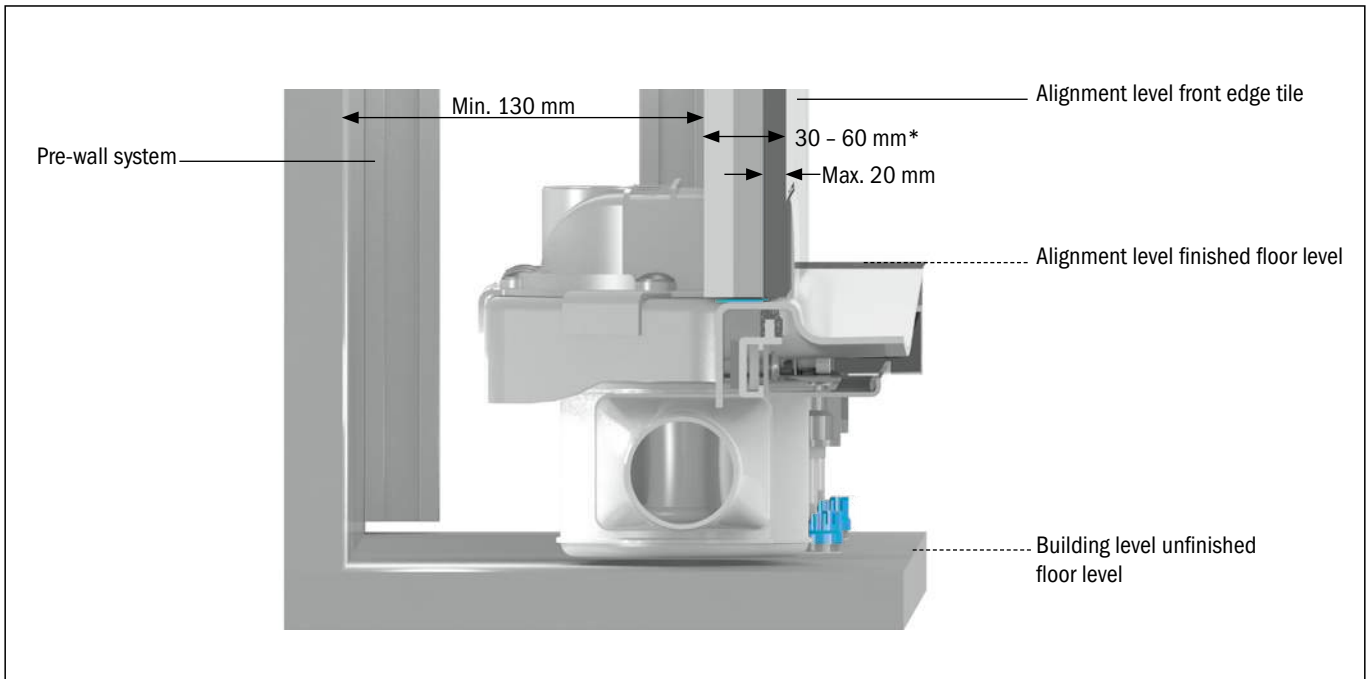
Niche installation



1st STEP: Planning the stud wall

Observe the required dimensions for fitting the stud wall.

- Void depth inc. finished wall: min. 130 mm
- Recess for integrating the shower surface: Width min. 650 mm, height: min. 300 mm (from top surface of the finished floor)
- Minimum width of the stud wall: Width of the shower surface (X) = 150 mm
(in corner installations = X + 80 mm)
(in niche installations = X + 10 mm)

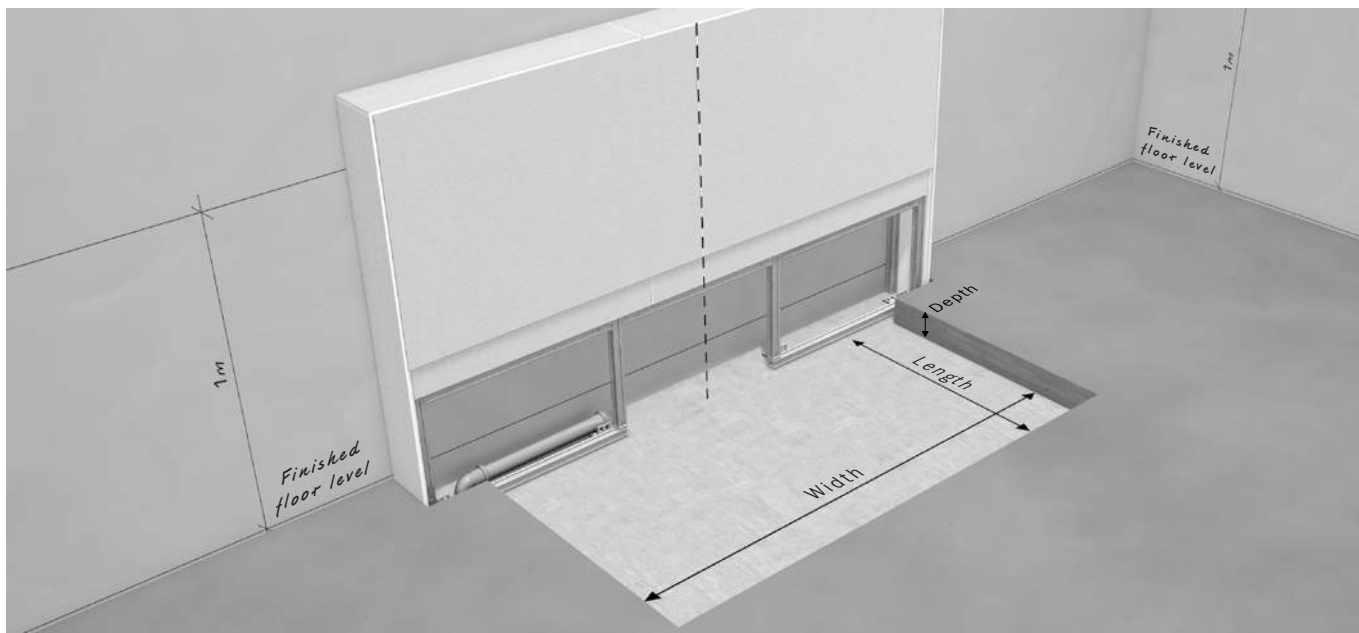


2nd STEP: Planning the wall mounting

Observe the required dimensions for wall mounting

- Overall thickness of structure (= panelling + sealing layer + tile adhesive + tile): 30 - 60 mm*
- Of which tiling layer (tile + tile adhesive): max. 20 mm

* On additional usage of XETIS Plus complementary sound insulation set a wall construction of 35-60 mm has to be considered.



3rd STEP: Planning the screed recess:

Observe the required dimensions for wall mounting

a) Width:

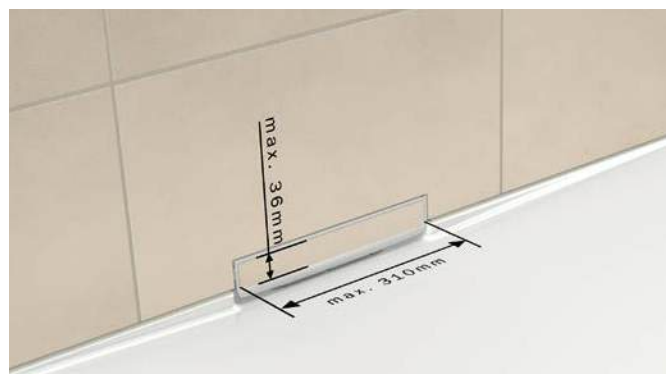
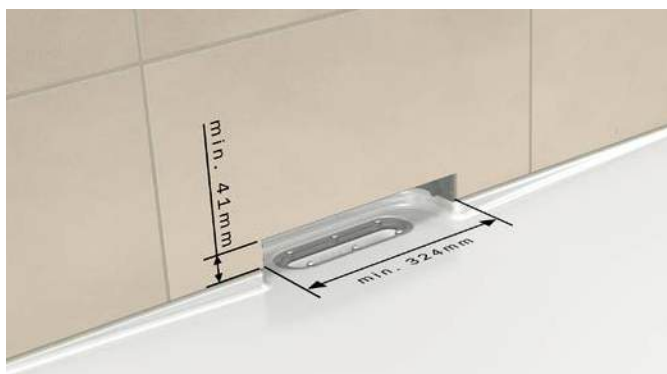
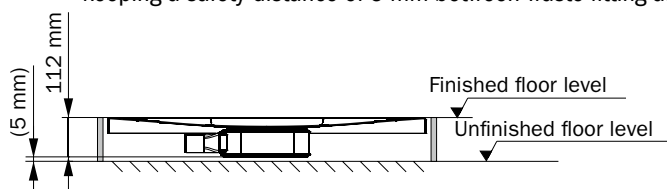
Width of the shower surface (= nominal width)
 see also packaging mm
 + tolerance allowance: 20 mm
 A = recess width = mm

c) Depth:

The XETIS shower surface can only be installed flush-to-floor.
 When installed with a siphon, the shower surface has a minimum installation height of 112 mm. We recommend keeping a safety distance of 5 mm between waste fitting and floor.

b) Length:

Length of shower surface (= nominal length)
 see also packaging mm
 + panelling thickness mm
 + tile mm
 + tile adhesive mm
 + tolerance allowance 10 mm
 B = recess length = mm



4th STEP: Planning the tile adaptation:

Observe the required dimensions for fitting the tile.

a) Tile cut-out wall: 324 mm x 41 mm

Recommendation: Centre the tile above the panel.

b) Tile strip for tileable design panel: 310 mm x 36 mm x tile thickness (max. 13 mm)



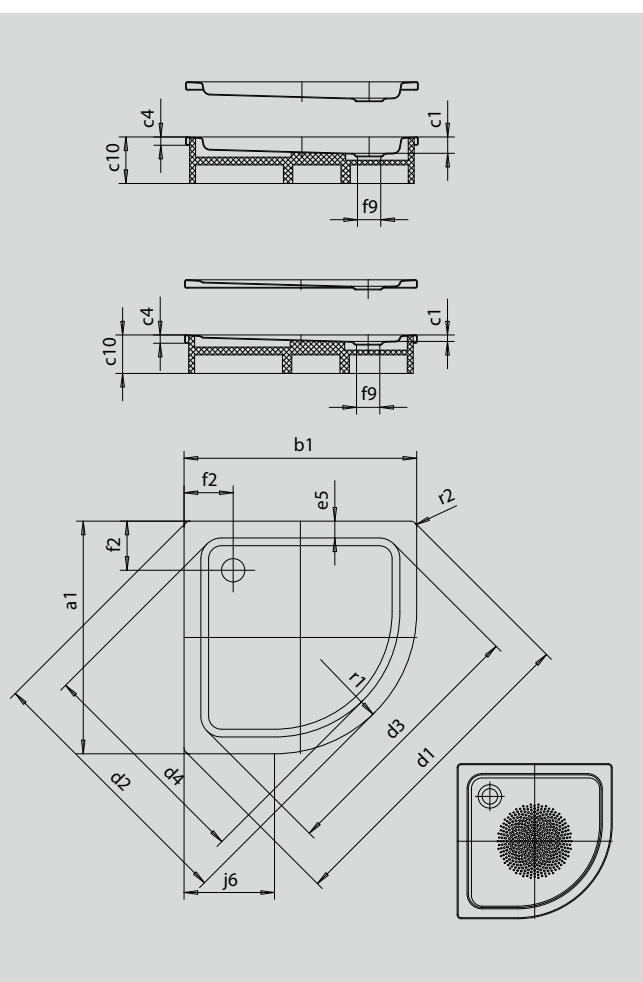
ARRONDO

- quad shower tray with minimalist contours
- generous standing area with lots of room to move when showering
- space-saving shape
- 550 mm radius
- made of KALDEWEI steel enamel
- flush-fitting recessed waste cover (only in combination with the KA 90 waste fittings)



Similar illustration

Model-1	Total height				Fitting height			
	870	871	872	873	870	871	872	873
KA 90 horizontal	105	145	105	145	80	80	80	80
KA 90 flat	85	125	85	125	60	60	60	60
KA 90 vertical	49	49	49	49	80	80	80	80
Model-2	120	160	120	160				



Model		870	871	872	873
External length	a_1	900	900	1000	1000 mm
External width	b_1	900	900	1000	1000 mm
Depth inside	c_1	25	65	25	65 mm
Height of rim	c_4	32	32	32	32 mm
Height with support	c_{10}	120	160	120	160 mm
Width across corners - external length	d_1	1254	1254	1395	1395 mm
Width across corners - external width	d_2	1035	1035	1177	1177 mm
Width across corners - internal length	d_3	1023	1023	1164	1164 mm
Width across corners - internal width	d_4	855	855	996	996 mm
Width of rim	e_5	65	65	65	65 mm
Distance bath edge to centre of waste hole	f_2	190	190	190	190 mm
Diameter of waste hole	f_9	Ø 90	Ø 90	Ø 90	Ø 90 mm
Side length	j_6	350	350	450	450 mm
External radius	r_1	550	550	550	550 mm
External radius	r_2	23	23	23	23 mm
Net weight		21	22	25	26 kg
Diameter of anti-slip		Ø 435	Ø 435	Ø 588	Ø 588 mm

Subject to technical alterations, tolerances and errors. Similar illustration.

KALDEWEI



	Drain Hole	Model Order No.	Dimensions mm	Colour price groups			GBP
				Alpine White (I)	Sanitary Colours (II, III)	Coord. Colours (IV)	
ARRONDO	Ø 90 mm	870-1 4600001xxxx	900 x 900 x 25	765.00	994.00	842.00	
		871-1 46010001xxxx	900 x 900 x 65	765.00	994.00		
		872-1 46020001xxxx	1000 x 1000 x 25	870.00	1,128.00	957.00	
		873-1 46030001xxxx	1000 x 1000 x 65	870.00	1,128.00		
ARRONDO WITH SUPPORT Total height with support: 120 mm	Ø 90 mm	870-2 46004804xxxx	900 x 900 x 25	922.00	1,198.00	1,013.00	
		872-2 46024804xxxx	1000 x 1000 x 25	1,023.00	1,330.00	1,126.00	
ARRONDO WITH SUPPORT Total height with support: 160 mm	Ø 90 mm	871-2 46014804xxxx	900 x 900 x 65	922.00	1,198.00		
		873-2 46034804xxxx	1000 x 1000 x 65	1,023.00	1,330.00		
OPTIONAL: KALDEWEI PERFECTION SURFACE FINISHES			PRICE	(I)	(II), (III)	(IV)	
EXTRA CHARGE FOR EASY-CLEAN FINISH		xxxxxxx3xxx		82.00	82.00	82.00	
PARTIAL ANTI-SLIP Fired into the enamel - Slip resistant pattern over part of the surface				117.50	117.50		
OPTIONAL: KALDEWEI PROFESSIONAL INFLOW/OUTFLOW TECHNOLOGY ●¹			PRICE	(I)	(II), (III)	(IV)	
WASTE FITTING KA 90 HORIZONTAL Chrome waste cover, hair catcher included. Universally applicable for FR and ESR. Optional accessories: enamelled waste cover for KA 90		4109 687772600999	110.00				
WASTE FITTING KA 90 FLAT Chrome waste cover, hair catcher included. Universally applicable for FR and ESR. Optional accessories: enamelled waste cover for KA 90		4104 687772540999	117.50				
WASTE FITTING KA 90 VERTICAL Chrome waste cover, hair catcher included. Universally applicable for FR and ESR. Optional accessories: enamelled waste cover for KA 90		4110 687772610999	149.50				
WASTE COVER KA 90 in addition to the fittings 4109, 4104, 4110 enamelled		68777259xxxx		39.50	78.50	39.50	
OPTIONAL: KALDEWEI PROFESSIONAL INSTALLATION ●¹			PRICE	(I)	(II), (III)	(IV)	
SHOWER TRAY FOOT FRAME FR 5300 Size adjustment up to 1000 x 1000		530000170000	131.00				
CENTRAL SUPPORT SYSTEM MAS 5305 required for shower trays larger than 900 mm		688076530000	25.50				
OPTIONAL: KALDEWEI PROFESSIONAL WATERPROOF ●¹			PRICE	(I)	(II), (III)	(IV)	
SEALING KIT FLOOR-LEVEL QUADRANT		689720510000	143.50				
SEALING KIT FLEX		689720520000	48.50				
CUT PROTECTION TAPE 4,6M for shower surfaces ≤ 1000 x 1200 mm		689720570000	63.50				
OPTIONAL: KALDEWEI SILENCE PLUS ●¹			PRICE	(I)	(II), (III)	(IV)	
SHOWER TRAY SOUND ABSORBING SET DW-ADS		687675720000	34.50				



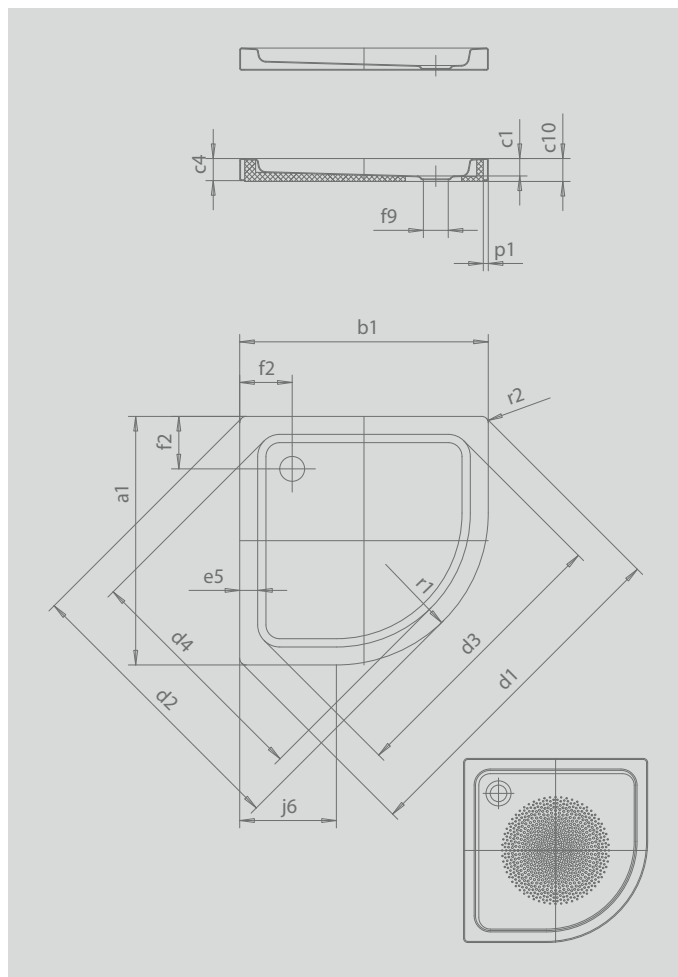
ARRONDO WITH APRON

- apron saves you tiling the shower tray in
- quad shower tray with minimalist contours
- generous standing area with lots of room to move when showering
- space-saving shape
- 550 mm radius
- made of KALDEWEI steel enamel
- flush-fitting recessed waste cover (only in combination with the KA 90 waste fittings)



Similar illustration

Model-1	Total height		Fitting height	
	880	881	880	881
KA 90 horizontal	145	145	80	80
KA 90 flat	125	125	60	60
KA 90 vertical	49	49	80	80
Model-2	83	83		



Model		880	881
External length	a_1	900	1000 mm
External width	b_1	900	1000 mm
Depth inside	c_1	65	65 mm
Height of rim	c_4	80	80 mm
Height with support	c_{10}	83	83 mm
Width across corners - external length	d_1	1254	1395 mm
Width across corners - external width	d_2	1035	1177 mm
Width across corners - internal length	d_3	1023	1164 mm
Width across corners - internal width	d_4	855	996 mm
Width of rim	e_5	65	65 mm
Distance bath edge to centre of waste hole	f_2	190	190 mm
Diameter of waste hole	f_9	Ø 90	Ø 90 mm
Side length	j_6	350	450 mm
Plinth	p_1	25	25 mm
External radius	r_1	550	550 mm
External radius	r_2	23	23 mm
Net weight		25	30 kg
Diameter of anti-slip		Ø 435	Ø 588 mm

Subject to technical alterations, tolerances and errors. Similar illustration.

KALDEWEI



	Drain Hole	Model Order No.	Dimensions mm	Colour price groups		GBP
				Alpine White (I)	Sanitary Colours (II, III)	
ARRONDO WITH APRON Total height with apron: 80 mm	Ø 90 mm	880-1 46040001xxxx	900 x 900 x 65	848.00	1,103.00	
		881-1 46050001xxxx	1000 x 1000 x 65	959.00	1,247.00	
ARRONDO WITH APRON Total height with support: 83 mm	Ø 90 mm	880-2 46044804xxxx	900 x 900 x 65	1,004.00	1,303.00	
		881-2 46054804xxxx	1000 x 1000 x 65	1,118.00	1,453.00	
OPTIONAL: KALDEWEI PERFECTION SURFACE FINISHES			PRICE	(I)	(II), (III)	
EXTRA CHARGE FOR EASY-CLEAN FINISH		xxxxxxx3xxx		82.00	82.00	
PARTIAL ANTI-SLIP Fired into the enamel - Slip resistant pattern over part of the surface				117.50	117.50	
OPTIONAL: KALDEWEI PROFESSIONAL INFLOW/OUTFLOW TECHNOLOGY ●¹			PRICE	(I)	(II), (III)	
WASTE FITTING KA 90 HORIZONTAL Chrome waste cover, hair catcher included. Universally applicable for FR and ESR. Optional accessories: enamelled waste cover for KA 90		4109 687772600999	110.00			
WASTE FITTING KA 90 FLAT Chrome waste cover, hair catcher included. Universally applicable for FR and ESR. Optional accessories: enamelled waste cover for KA 90		4104 687772540999	117.50			
WASTE FITTING KA 90 VERTICAL Chrome waste cover, hair catcher included. Universally applicable for FR and ESR. Optional accessories: enamelled waste cover for KA 90		4110 687772610999	149.50			
WASTE COVER KA 90 in addition to the fittings 4109, 4104, 4110 enamelled		68777259xxxx		39.50	78.50	
OPTIONAL: KALDEWEI PROFESSIONAL INSTALLATION ●¹			PRICE	(I)	(II), (III)	
SHOWER TRAY FOOT FRAME FR 5300 Size adjustment up to 1000 x 1000		530000170000	131.00			
OPTIONAL: KALDEWEI PROFESSIONAL WATERPROOF ●¹			PRICE	(I)	(II), (III)	
SEALING KIT FLEX		689720520000	48.50			
CUT PROTECTION TAPE 4,6M for shower surfaces ≤ 1000 x 1200 mm		689720570000	63.50			
OPTIONAL: KALDEWEI SILENCE PLUS ●¹			PRICE	(I)	(II), (III)	
SHOWER TRAY SOUND ABSORBING SET DW-ADS		687675720000	34.50			



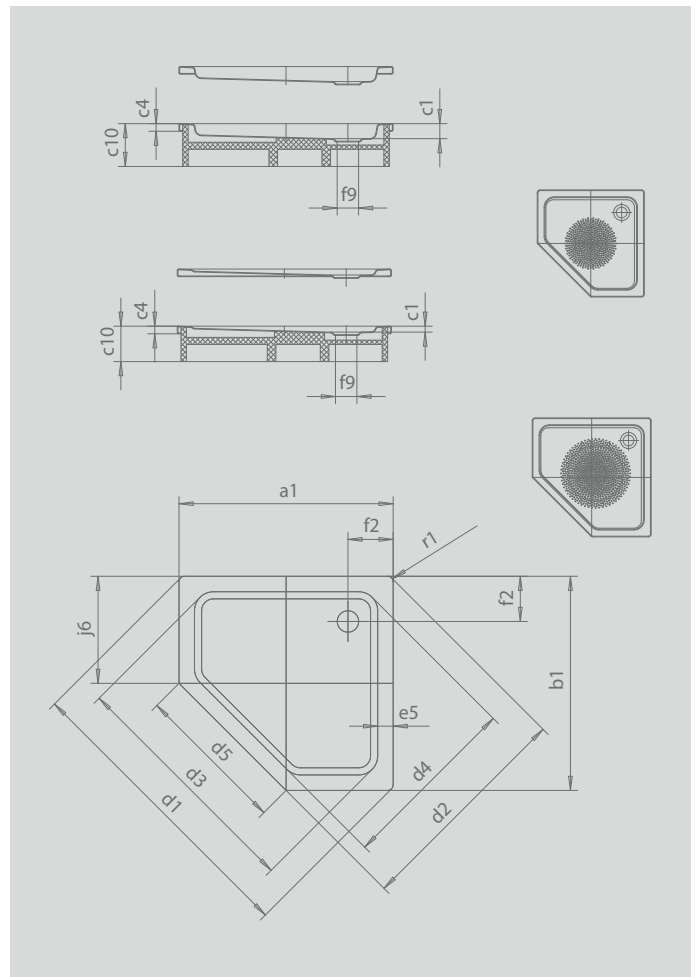
CORNEZZA

- striking pentagonal shower tray
- space-saving shape
- generous standing area with lots of room to move when showering
- elegant corner solution
- made of KALDEWEI steel enamel
- flush-fitting recessed waste cover (only in combination with the KA 90 waste fittings)



Similar illustration

Model-1	Total height				Fitting height			
	670	671	672	673	670	671	672	673
KA 90 horizontal	105	145	105	145	80	80	80	80
KA 90 flat	85	125	85	125	60	60	60	60
KA 90 vertical	49	49	49	49	80	80	80	80
Model-2	120	120	120	120				



Model		670	671	672	673
External length	a_1	900	900	1000	1000 mm
External width	b_1	900	900	1000	1000 mm
Depth inside	c_1	25	65	25	65 mm
Height of rim	c_4	32	32	32	32 mm
Height with support	c_{10}	120	120	120	120 mm
Width across corners - external length	d_1	1254	1254	1395	1395 mm
Width across corners - external width	d_2	945	945	1051	1051 mm
Width across corners - internal length	d_3	1023	1023	1164	1164 mm
Width across corners - internal width	d_4	765	765	871	871 mm
Width of access area	d_5	636	636	707	707 mm
Width of rim	e_5	65	65	65	65 mm
Distance bath edge to centre of waste hole	f_2	190	190	190	190 mm
Diameter of waste hole	f_9	Ø 90	Ø 90	Ø 90	Ø 90 mm
Side length	j_6	450	450	500	500 mm
External radius	r_1	23	23	23	23 mm
Net weight		19	20	24	25 kg
Diameter of anti-slip		Ø 435	Ø 435	Ø 588	Ø 588 mm

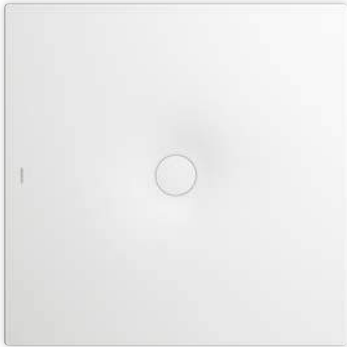
Subject to technical alterations, tolerances and errors. Similar illustration.

KALDEWEI

	Drain Hole	Model Order No.	Dimensions mm	Colour price groups			GBP
				Alpine White (I)	Sanitary Colours (II, III)	Coord. Colours (IV)	
CORNEZZA	Ø 90 mm	670-1 45900001xxxx	900 x 900 x 25	1,078.00	1,400.00	1,186.00	
		671-1 45910001xxxx	900 x 900 x 65	1,078.00	1,400.00		
		672-1 45920001xxxx	1000 x 1000 x 25	1,144.00	1,486.00	1,258.00	
		673-1 45930001xxxx	1000 x 1000 x 65	1,144.00	1,486.00		
CORNEZZA WITH SUPPORT Total height with support: 120 mm	Ø 90 mm	670-2 45904804xxxx	900 x 900 x 25	1,235.00	1,606.00	1,359.00	
		672-2 45924804xxxx	1000 x 1000 x 25	1,301.00	1,692.00	1,431.00	
CORNEZZA WITH SUPPORT Total height with support: 160 mm	Ø 90 mm	671-2 45914804xxxx	900 x 900 x 65	1,235.00	1,606.00		
		673-2 45934804xxxx	1000 x 1000 x 65	1,301.00	1,692.00		
OPTIONAL: KALDEWEI PERFECTION SURFACE FINISHES			PRICE	(I)	(II), (III)	(IV)	
EXTRA CHARGE FOR EASY-CLEAN FINISH		xxxxxxx3xxx		82.00	82.00	82.00	
PARTIAL ANTI-SLIP Fired into the enamel - Slip resistant pattern over part of the surface				117.50	117.50		
OPTIONAL: KALDEWEI PROFESSIONAL INFLOW/OUTFLOW TECHNOLOGY ●¹			PRICE	(I)	(II), (III)	(IV)	
WASTE FITTING KA 90 HORIZONTAL Chrome waste cover, hair catcher included. Universally applicable for FR and ESR. Optional accessories: enamelled waste cover for KA 90		4109 687772600999	110.00				
WASTE FITTING KA 90 FLAT Chrome waste cover, hair catcher included. Universally applicable for FR and ESR. Optional accessories: enamelled waste cover for KA 90		4104 687772540999	117.50				
WASTE FITTING KA 90 VERTICAL Chrome waste cover, hair catcher included. Universally applicable for FR and ESR. Optional accessories: enamelled waste cover for KA 90		4110 687772610999	149.50				
WASTE COVER KA 90 in addition to the fittings 4109, 4104, 4110 enamelled		68777259xxxx		39.50	78.50	39.50	
OPTIONAL: KALDEWEI PROFESSIONAL INSTALLATION ●¹			PRICE	(I)	(II), (III)	(IV)	
SHOWER TRAY FOOT FRAME FR 5300 Size adjustment up to 1000 x 1000		53000015xxxx	137.50				
CENTRAL SUPPORT SYSTEM MAS 5305 required for shower trays larger than 900 mm		688076530000	25.50				
OPTIONAL: KALDEWEI PROFESSIONAL WATERPROOF ●¹			PRICE	(I)	(II), (III)	(IV)	
SEALING KIT FLOOR-LEVEL PENTAGONAL		689720500000	143.50				
SEALING KIT FLEX		689720520000	48.50				
CUT PROTECTION TAPE 4,6M for shower surfaces ≤ 1000 x 1200 mm		689720570000	63.50				
OPTIONAL: KALDEWEI SILENCE PLUS ●¹			PRICE	(I)	(II), (III)	(IV)	
SHOWER TRAY SOUND ABSORBING SET DW-ADS		687675720000	34.50				

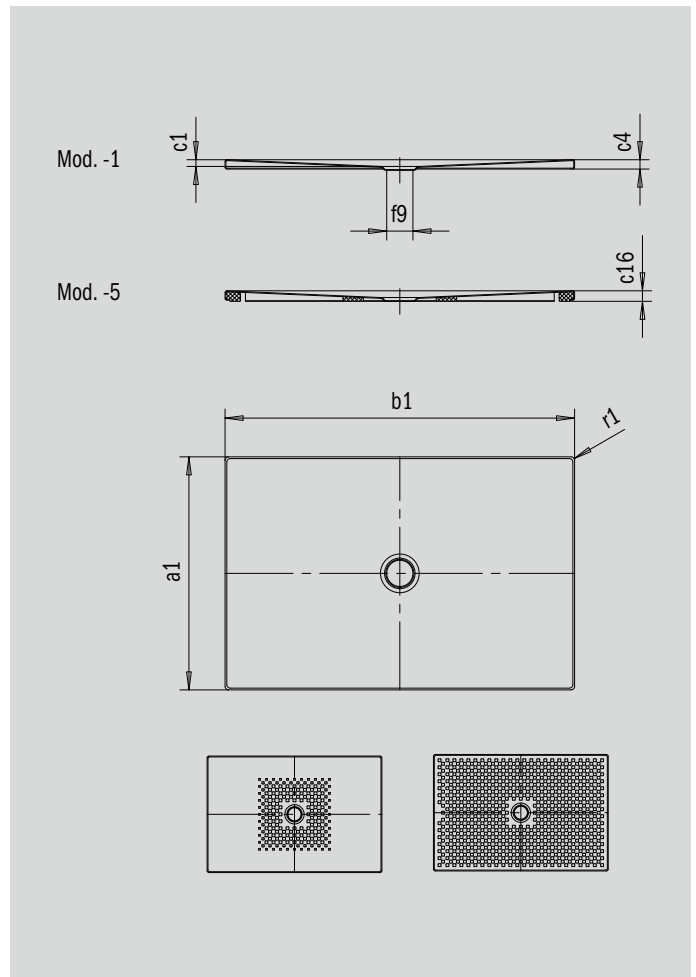
SCONA

- harmonious design with centrally-placed waste
- can be installed absolutely flush to floor
- made of KALDEWEI steel enamel
- flush-fitting recessed waste cover (only in combination with the KA 90 waste fittings)



Similar illustration

Model-1	Total height				Fitting height			
	908	911	912	940	908	911	912	940
KA 90 horizontal	103	103	103	103	80	80	80	80
KA 90 flat	83	83	83	83	60	60	60	60
KA 90 vertical	49	49	49	49	80	80	80	80
Model-5	908	911	912	940	908	911	912	940
KA 90 horizontal	103	103	103	103	80	80	80	80
KA 90 flat	83	83	83	83	60	60	60	60
KA 90 vertical	37	37	37	37	80	80	80	80



ANTISLIP
SECURE⁺

Model		908	911	940	912
External length	a_1	750	800	700	750 mm
External width	b_1	800	800	900	900 mm
Depth inside	c_1	23	23	23	23 mm
Height of rim	c_4	32	32	32	32 mm
Height with low-profile support	c_{16}	37	37	37	37 mm
Diameter of waste hole	f_9	Ø 90	Ø 90	Ø 90	Ø 90 mm
External radius	r_1	12	12	12	12 mm
Net weight		16	17	17	18 kg
Anti-slip		492 x 492	492 x 492	492 x 492	492 x 492 mm
Full anti-slip		692 x 740	740 x 740	644 x 836	692 x 836 mm
ANTI-SLIP SECURE PLUS		full base	full base	full base	full base

	Drain Hole	Model Order No.	Dimensions mm	Colour price groups			GBP
				Alpine White (I)	Sanitary Colours (II, III)	Coord. Colours (IV)	
SCONA	Ø 90 mm	908-1 49080001xxxx	800 x 750 x 23	548.00	713.00	603.00	
		911-1 49110001xxxx	800 x 800 x 23	475.00	617.00	524.00	
		940-1 49400001xxxx	900 x 700 x 23	537.00	697.00	590.00	
		912-1 49120001xxxx	900 x 750 x 23	498.00	646.00	548.00	
SCONA WITH LOW-PROFILE SUPPORT	Ø 90 mm	908-5 49084798xxxx	800 x 750 x 23	584.00	758.00	642.00	
		911-5 49114798xxxx	800 x 800 x 23	511.00	663.00	561.00	
		940-5 49404798xxxx	900 x 700 x 23	571.00	742.00	627.00	
		912-5 49124798xxxx	900 x 750 x 23	533.00	692.00	587.00	
OPTIONAL: KALDEWEI PERFECTION SURFACE FINISHES			PRICE	(I)	(II), (III)	(IV)	
EXTRA CHARGE FOR EASY-CLEAN FINISH		xxxxxxx3xxx		82.00	82.00	82.00	
ANTI-SLIP SECURE PLUS							
Standard-compliant slip resistance (Evaluation group B according to DIN 51097, R10 according to DIN 51130). Fired into the enamel – Slip resistant surface over the entire surface, matt finish only . Cannot be combined with easy-clean finish		xxxxxxx2xxx		165.00		165.00	
FULL ANTI-SLIP							
Fired into the enamel – Slip resistant pattern over almost the entire surface				236.00	236.00		
PARTIAL ANTI-SLIP							
Fired into the enamel – Slip resistant pattern over part of the surface				117.50	117.50		
OPTIONAL: KALDEWEI PROFESSIONAL INFLOW/OUTFLOW TECHNOLOGY ●¹			PRICE	(I)	(II), (III)	(IV)	
WASTE FITTING KA 90 HORIZONTAL		4109 68772600999		110.00			
Chrome waste cover, hair catcher included. Universally applicable for FR and ESR. Optional accessories: enamelled waste cover for KA 90							
WASTE FITTING KA 90 FLAT		4104 687772540999		117.50			
Chrome waste cover, hair catcher included. Universally applicable for FR and ESR. Optional accessories: enamelled waste cover for KA 90							
WASTE FITTING KA 90 VERTICAL		4110 687772610999		149.50			
Chrome waste cover, hair catcher included. Universally applicable for FR and ESR. Optional accessories: enamelled waste cover for KA 90							
WASTE COVER KA 90							
in addition to the fittings 4109, 4104, 4110 enamelled		68777259xxxx		39.50	78.50	39.50	
enamelled ANTI-SLIP SECURE PLUS		687772592xxx		39.50		39.50	
OPTIONAL: KALDEWEI PROFESSIONAL INSTALLATION ●¹			PRICE	(I)	(II), (III)	(IV)	
ESR FLOOR LEVEL INSTALLATION SYSTEM (FOR -1 MODELS)							
800 x 750 (actual installation size ESR 828 x 778)		640000100000		281.00			
800 x 800 (actual installation size ESR 828 x 828)		640000110000		281.00			
900 x 700 (actual installation size ESR 928 x 728)		640000120000		281.00			
900 x 750 (actual installation size ESR 928 x 778)		640000130000		281.00			
SHOWER TRAY FOOT FRAME FR 5300							
Size adjustment up to 900 x 900		530000120000		113.50			
OPTIONAL: KALDEWEI PROFESSIONAL WATERPROOF ●¹			PRICE	(I)	(II), (III)	(IV)	
SEALING KIT FLOOR-LEVEL		689720490000		143.50			
SEALING KIT FLEX		689720520000		48.50			
CUT PROTECTION TAPE 4,6M							
for shower surfaces ≤ 1000 x 1200 mm		689720570000		63.50			
OPTIONAL: KALDEWEI SILENCE PLUS ●¹			PRICE	(I)	(II), (III)	(IV)	
SHOWER TRAY SOUND ABSORBING SET DW-ADS		687675720000		34.50			

Further accessories can be found on page 336. Available colours see page 18.

●¹= separate accessory. For more information on the 12-digit KALDEWEI Order Number see page 21

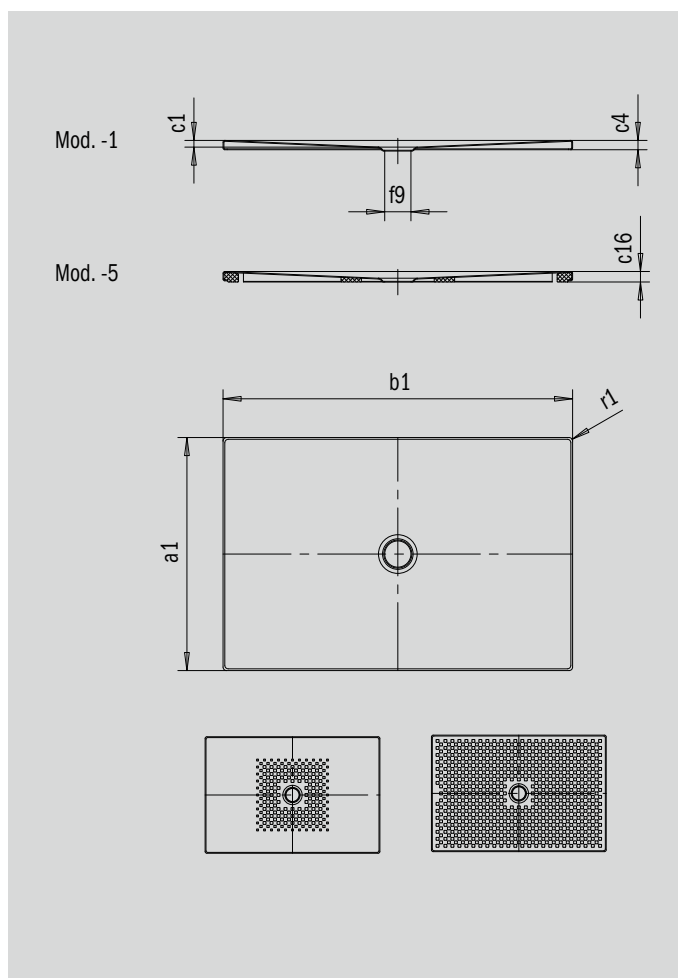
SCONA

- harmonious design with centrally-placed waste
- can be installed absolutely flush to floor
- made of KALDEWEI steel enamel
- flush-fitting recessed waste cover (only in combination with the KA 90 waste fittings)



Similar illustration

Model-1	Total height				Fitting height			
	913	914	941	942	913	914	941	942
KA 90 horizontal	103	103	103	103	80	80	80	80
KA 90 flat	83	83	83	83	60	60	60	60
KA 90 vertical	49	49	49	49	80	80	80	80
Model-5	913	914	941	942	913	914	941	942
KA 90 horizontal	103	103	103	103	80	80	80	80
KA 90 flat	83	83	83	83	60	60	60	60
KA 90 vertical	37	37	37	37	80	80	80	80



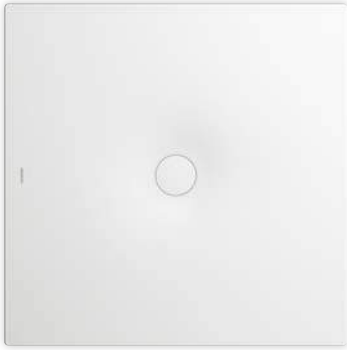
ANTISLIP
SECURE⁺

Model		941	913	942	914
External length	a ₁	800	900	750	800 mm
External width	b ₁	900	900	1000	1000 mm
Depth inside	c ₁	23	23	23	23 mm
Height of rim	c ₄	32	32	32	32 mm
Height with low-profile support	c ₁₆	37	37	37	37 mm
Diameter of waste hole	f ₉	Ø 90	Ø 90	Ø 90	Ø 90 mm
External radius	r ₁	12	12	12	12 mm
Net weight		19	21	20	21 kg
Anti-slip		492 x 492	492 x 492	492 x 492	492 x 492 mm
Full anti-slip		740 x 836	836 x 836	692 x 932	740 x 932 mm
ANTI-SLIP SECURE PLUS		full base	full base	full base	full base

	Drain Hole	Model Order No.	Dimensions mm	Colour price groups			GBP
				Alpine White (I)	Sanitary Colours (II, III)	Coord. Colours (IV)	
SCONA	Ø 90 mm	941-1 49410001xxxx	900 x 800 x 23	537.00	697.00	590.00	
		913-1 49130001xxxx	900 x 900 x 23	475.00	617.00	524.00	
		942-1 49420001xxxx	1000 x 750 x 23	621.00	806.00	682.00	
		914-1 49140001xxxx	1000 x 800 x 23	606.00	789.00	667.00	
SCONA WITH LOW-PROFILE SUPPORT	Ø 90 mm	941-5 49414798xxxx	900 x 800 x 23	571.00	742.00	627.00	
		913-5 49134798xxxx	900 x 900 x 23	511.00	663.00	561.00	
		942-5 49424798xxxx	1000 x 750 x 23	655.00	852.00	721.00	
		914-5 49144798xxxx	1000 x 800 x 23	642.00	834.00	706.00	
OPTIONAL: KALDEWEI PERFECTION SURFACE FINISHES			PRICE	(I)	(II), (III)	(IV)	
EXTRA CHARGE FOR EASY-CLEAN FINISH		xxxxxxx3xxx		82.00	82.00	82.00	
ANTI-SLIP SECURE PLUS							
Standard-compliant slip resistance (Evaluation group B according to DIN 51097, R10 according to DIN 51130). Fired into the enamel – Slip resistant surface over the entire surface, matt finish only . Cannot be combined with easy-clean finish		xxxxxxx2xxx		165.00		165.00	
FULL ANTI-SLIP							
Fired into the enamel – Slip resistant pattern over almost the entire surface				236.00	236.00		
PARTIAL ANTI-SLIP							
Fired into the enamel – Slip resistant pattern over part of the surface				117.50	117.50		
OPTIONAL: KALDEWEI PROFESSIONAL INFLOW/OUTFLOW TECHNOLOGY ●¹			PRICE	(I)	(II), (III)	(IV)	
WASTE FITTING KA 90 HORIZONTAL		4109 68772600999	110.00				
Chrome waste cover, hair catcher included. Universally applicable for FR and ESR. Optional accessories: enamelled waste cover for KA 90							
WASTE FITTING KA 90 FLAT		4104 687772540999	117.50				
Chrome waste cover, hair catcher included. Universally applicable for FR and ESR. Optional accessories: enamelled waste cover for KA 90							
WASTE FITTING KA 90 VERTICAL		4110 687772610999	149.50				
Chrome waste cover, hair catcher included. Universally applicable for FR and ESR. Optional accessories: enamelled waste cover for KA 90							
WASTE COVER KA 90							
in addition to the fittings 4109, 4104, 4110 enamelled		68777259xxxx		39.50	78.50	39.50	
enamelled ANTI-SLIP SECURE PLUS		687772592xxx		39.50		39.50	
OPTIONAL: KALDEWEI PROFESSIONAL INSTALLATION ●¹			PRICE	(I)	(II), (III)	(IV)	
ESR FLOOR LEVEL INSTALLATION SYSTEM (FOR -1 MODELS)							
900 x 800 (actual installation size ESR 928 x 828)		640000140000	281.00				
900 x 900 (actual installation size ESR 928 x 928)		640000150000	281.00				
1000 x 750 (actual installation size ESR 1028 x 778)		640000160000	281.00				
1000 x 800 (actual installation size ESR 1028 x 828)		640000170000	281.00				
SHOWER TRAY FOOT FRAME FR 5300							
Size adjustment up to 900 x 900		530000120000	113.50				
Size adjustment up to 1200 x 1200		530000130000	124.50				
MAS 5335 CENTRAL SUPPORT SYSTEM							
for side lengths longer than 900 mm		688077460000	53.50				
OPTIONAL: KALDEWEI PROFESSIONAL WATERPROOF ●¹			PRICE	(I)	(II), (III)	(IV)	
SEALING KIT FLOOR-LEVEL		689720490000	143.50				
SEALING KIT FLEX		689720520000	48.50				
CUT PROTECTION TAPE 4,6M							
for shower surfaces ≤ 1000 x 1200 mm		689720570000	63.50				
OPTIONAL: KALDEWEI SILENCE PLUS ●¹			PRICE	(I)	(II), (III)	(IV)	
SHOWER TRAY SOUND ABSORBING SET DW-ADS		687675720000	34.50				

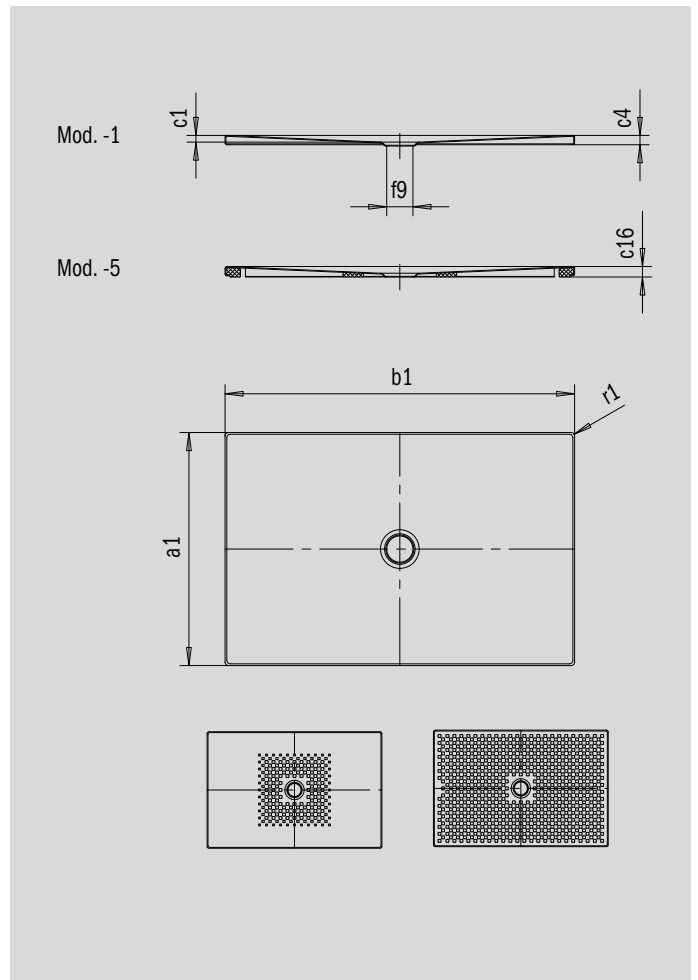
SCONA

- harmonious design with centrally-placed waste
- can be installed absolutely flush to floor
- made of KALDEWEI steel enamel
- flush-fitting recessed waste cover (only in combination with the KA 90 waste fittings)



Similar illustration

Model-1	Total height				Fitting height			
	915	916	943	963	915	916	943	963
KA 90 horizontal	103	103	103	103	80	80	80	80
KA 90 flat	83	83	83	83	60	60	60	60
KA 90 vertical	49	49	49	49	80	80	80	80
Model-5	915	916	943	963	915	916	943	963
KA 90 horizontal	103	103	103	103	80	80	80	80
KA 90 flat	83	83	83	83	60	60	60	60
KA 90 vertical	37	37	37	49	80	80	80	80



ANTISLIP
SECURE⁺

Model		915	916	943	963
External length	a ₁	900	1000	800	900 mm
External width	b ₁	1000	1000	1100	1100 mm
Depth inside	c ₁	23	23	23	23 mm
Height of rim	c ₄	32	32	32	32 mm
Height with low-profile support	c ₁₆	37	37	37	49 mm
Diameter of waste hole	f ₉	Ø 90	Ø 90	Ø 90	Ø 90 mm
External radius	r ₁	12	12	12	12 mm
Net weight		23	26	23	25 kg
Anti-slip		492 x 492	492 x 492	492 x 492	492 x 492 mm
Full anti-slip		836 x 932	932 x 932	740 x 1028	836 x 1028 mm
ANTI-SLIP SECURE PLUS		full base	full base	full base	full base

Subject to technical alterations, tolerances and errors. Similar illustration.



	Drain Hole	Model Order No.	Dimensions mm	Colour price groups			GBP
				Alpine White (I)	Sanitary Colours (II, III)	Coord. Colours (IV)	
SCONA	Ø 90 mm	915-1 49150001xxxx	1000 x 900 x 23	606.00	789.00	667.00	
		916-1 49160001xxxx	1000 x 1000 x 23	606.00	789.00	667.00	
		943-1 49430001xxxx	1100 x 800 x 23	643.00	835.00	708.00	
		963-1 49630001xxxx	1100 x 900 x 23	643.00	835.00	708.00	
SCONA WITH LOW-PROFILE SUPPORT	Ø 90 mm	915-5 49154798xxxx	1000 x 900 x 23	642.00	834.00	706.00	
		916-5 49164798xxxx	1000 x 1000 x 23	642.00	834.00	706.00	
		943-5 49434798xxxx	1100 x 800 x 23	679.00	881.00	745.00	
		963-5 49634798xxxx	1100 x 900 x 23	679.00	881.00	745.00	
OPTIONAL: KALDEWEI PERFECTION SURFACE FINISHES			PRICE	(I)	(II), (III)	(IV)	
EXTRA CHARGE FOR EASY-CLEAN FINISH		xxxxxxx3xxx		82.00	82.00	82.00	
ANTI-SLIP SECURE PLUS Standard-compliant slip resistance (Evaluation group B according to DIN 51097, R10 according to DIN 51130). Fired into the enamel – Slip resistant surface over the entire surface, matt finish only . Cannot be combined with easy-clean finish		xxxxxxx2xxx		165.00		165.00	
FULL ANTI-SLIP Fired into the enamel – Slip resistant pattern over almost the entire surface				236.00	236.00		
PARTIAL ANTI-SLIP Fired into the enamel – Slip resistant pattern over part of the surface				117.50	117.50		
OPTIONAL: KALDEWEI PROFESSIONAL INFLOW/OUTFLOW TECHNOLOGY ●¹			PRICE	(I)	(II), (III)	(IV)	
WASTE FITTING KA 90 HORIZONTAL Chrome waste cover, hair catcher included. Universally applicable for FR and ESR. Optional accessories: enamelled waste cover for KA 90		4109 687772600999	110.00				
WASTE FITTING KA 90 FLAT Chrome waste cover, hair catcher included. Universally applicable for FR and ESR. Optional accessories: enamelled waste cover for KA 90		4104 687772540999	117.50				
WASTE FITTING KA 90 VERTICAL Chrome waste cover, hair catcher included. Universally applicable for FR and ESR. Optional accessories: enamelled waste cover for KA 90		4110 687772610999	149.50				
WASTE COVER KA 90 in addition to the fittings 4109, 4104, 4110 enamelled enamelled ANTI-SLIP SECURE PLUS		68777259xxxx 687772592xxx		39.50 39.50	78.50	39.50 39.50	
OPTIONAL: KALDEWEI PROFESSIONAL INSTALLATION ●¹			PRICE	(I)	(II), (III)	(IV)	
ESR FLOOR LEVEL INSTALLATION SYSTEM (FOR -1 MODELS) 1000 x 900 (actual installation size ESR 1028 x 928) 1000 x 1000 (actual installation size ESR 1028 x 1028) 1100 x 800 (actual installation size ESR 1128 x 828) 1100 x 900 (actual installation size ESR 1128 x 928)		640000180000 640000190000 640000200000 640000210000	281.00 281.00 281.00 281.00				
SHOWER TRAY FOOT FRAME FR 5300 Size adjustment up to 1200 x 1200		530000130000	124.50				
MAS 5335 CENTRAL SUPPORT SYSTEM for side lengths longer than 900 mm		688077460000	53.50				
OPTIONAL: KALDEWEI PROFESSIONAL WATERPROOF ●¹			PRICE	(I)	(II), (III)	(IV)	
SEALING KIT FLOOR-LEVEL		689720490000	143.50				
SEALING KIT FLEX		689720520000	48.50				
CUT PROTECTION TAPE 4,6M for shower surfaces ≤ 1000 x 1200 mm		689720570000	63.50				
CUT PROTECTION TAPE 6,6M for shower surfaces > 1000 x 1200 mm		689720580000	91.50				
OPTIONAL: KALDEWEI SILENCE PLUS ●¹			PRICE	(I)	(II), (III)	(IV)	
SHOWER TRAY SOUND ABSORBING SET DW-ADS		687675720000	34.50				



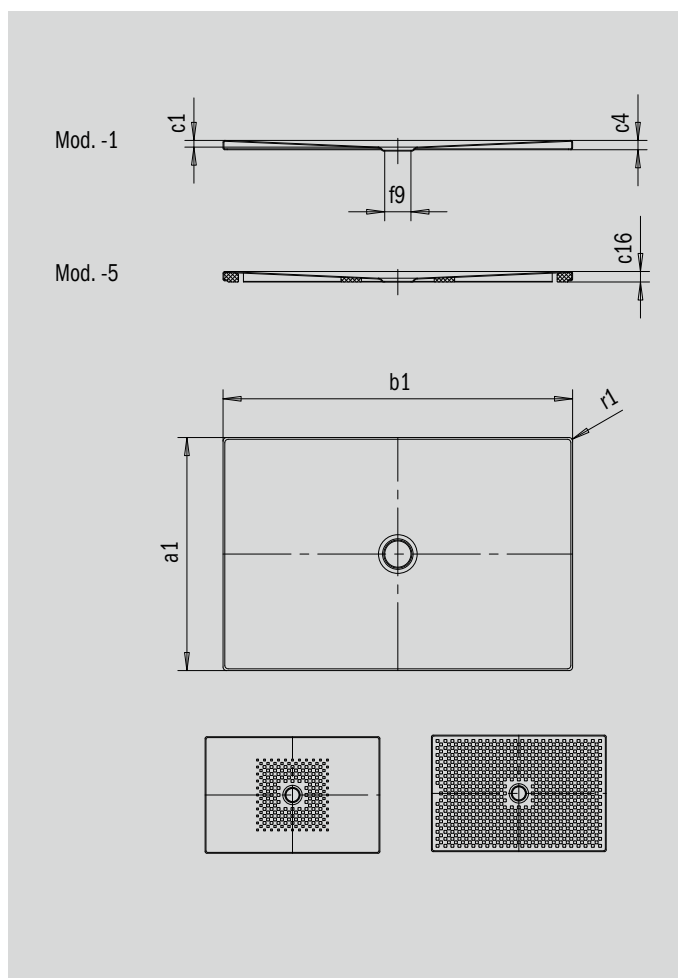
SCONA

- harmonious design with centrally-placed waste
- can be installed absolutely flush to floor
- made of KALDEWEI steel enamel
- flush-fitting recessed waste cover (only in combination with the KA 90 waste fittings)



Similar illustration

Model-1	Total height				Fitting height			
	917	964	965	966	917	964	965	966
KA 90 horizontal	103	103	103	103	80	80	80	80
KA 90 flat	83	83	83	83	60	60	60	60
KA 90 vertical	49	49	49	49	80	80	80	80
Model-5	917	964	965	966	917	964	965	966
KA 90 horizontal	103	103	103	103	80	80	80	80
KA 90 flat	83	83	83	83	60	60	60	60
KA 90 vertical	37	37	37	37	80	80	80	80



ANTISLIP
SECURE⁺

Model		964	965	966	917
External length	a_1	1000	700	750	800 mm
External width	b_1	1100	1200	1200	1200 mm
Depth inside	c_1	23	23	23	23 mm
Height of rim	c_4	32	32	32	32 mm
Height with low-profile support	c_{16}	37	37	37	37 mm
Diameter of waste hole	f_9	Ø 90	Ø 90	Ø 90	Ø 90 mm
External radius	r_1	12	12	12	12 mm
Net weight		27	21	23	25 kg
Anti-slip		492 x 492	492 x 492	492 x 492	492 x 492 mm
Full anti-slip		932 x 1028	644 x 1124	692 x 1124	740 x 1124 mm
ANTI-SLIP SECURE PLUS		full base	full base	full base	full base

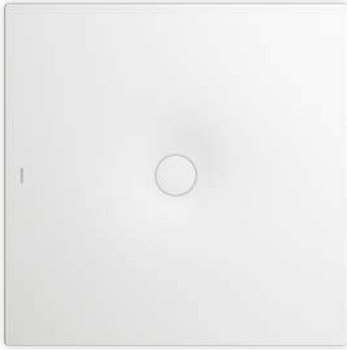
Subject to technical alterations, tolerances and errors. Similar illustration.

KALDEWEI

	Drain Hole	Model Order No.	Dimensions mm	Colour price groups			GBP
				Alpine White (I)	Sanitary Colours (II, III)	Coord. Colours (IV)	
SCONA	Ø 90 mm	964-1 49640001xxxx	1100 x 1000 x 23	656.00	853.00	722.00	
		965-1 49650001xxxx	1200 x 700 x 23	711.00	924.00	782.00	
		966-1 49660001xxxx	1200 x 750 x 23	711.00	924.00	782.00	
		917-1 49170001xxxx	1200 x 800 x 23	690.00	897.00	760.00	
SCONA WITH LOW-PROFILE SUPPORT	Ø 90 mm	964-5 49644798xxxx	1100 x 1000 x 23	692.00	898.00	761.00	
		965-5 49654798xxxx	1200 x 700 x 23	747.00	970.00	821.00	
		966-5 49664798xxxx	1200 x 750 x 23	747.00	970.00	821.00	
		917-5 49174798xxxx	1200 x 800 x 23	724.00	942.00	797.00	
OPTIONAL: KALDEWEI PERFECTION SURFACE FINISHES			PRICE	(I)	(II), (III)	(IV)	
EXTRA CHARGE FOR EASY-CLEAN FINISH		xxxxxxx3xxx		82.00	82.00	82.00	
ANTI-SLIP SECURE PLUS							
Standard-compliant slip resistance (Evaluation group B according to DIN 51097, R10 according to DIN 51130). Fired into the enamel – Slip resistant surface over the entire surface, matt finish only . Cannot be combined with easy-clean finish		xxxxxxx2xxx		165.00		165.00	
FULL ANTI-SLIP							
Fired into the enamel – Slip resistant pattern over almost the entire surface				236.00	236.00		
PARTIAL ANTI-SLIP							
Fired into the enamel – Slip resistant pattern over part of the surface				117.50	117.50		
OPTIONAL: KALDEWEI PROFESSIONAL INFLOW/OUTFLOW TECHNOLOGY ●¹			PRICE	(I)	(II), (III)	(IV)	
WASTE FITTING KA 90 HORIZONTAL		4109 68772600999	110.00				
Chrome waste cover, hair catcher included. Universally applicable for FR and ESR. Optional accessories: enamelled waste cover for KA 90							
WASTE FITTING KA 90 FLAT		4104 687772540999	117.50				
Chrome waste cover, hair catcher included. Universally applicable for FR and ESR. Optional accessories: enamelled waste cover for KA 90							
WASTE FITTING KA 90 VERTICAL		4110 687772610999	149.50				
Chrome waste cover, hair catcher included. Universally applicable for FR and ESR. Optional accessories: enamelled waste cover for KA 90							
WASTE COVER KA 90							
in addition to the fittings 4109, 4104, 4110 enamelled		68777259xxxx		39.50	78.50	39.50	
enamelled ANTI-SLIP SECURE PLUS		687772592xxx		39.50		39.50	
OPTIONAL: KALDEWEI PROFESSIONAL INSTALLATION ●¹			PRICE	(I)	(II), (III)	(IV)	
ESR FLOOR LEVEL INSTALLATION SYSTEM (FOR -1 MODELS)							
1100 x 1000 (actual installation size ESR 1128 x 1028)		640000530000	310.00				
1200 x 700 (actual installation size ESR 1228 x 728)		640000220000	310.00				
1200 x 750 (actual installation size ESR 1228 x 778)		640000230000	310.00				
1200 x 800 (actual installation size ESR 1228 x 828)		640000240000	310.00				
SHOWER TRAY FOOT FRAME FR 5300							
Size adjustment up to 1200 x 1200		530000130000	124.50				
MAS 5335 CENTRAL SUPPORT SYSTEM							
for side lengths longer than 900 mm		688077460000	53.50				
OPTIONAL: KALDEWEI PROFESSIONAL WATERPROOF ●¹			PRICE	(I)	(II), (III)	(IV)	
SEALING KIT FLOOR-LEVEL		689720490000	143.50				
SEALING KIT FLEX		689720520000	48.50				
CUT PROTECTION TAPE 6,6M							
for shower surfaces > 1000 x 1200 mm		689720580000	91.50				
OPTIONAL: KALDEWEI SILENCE PLUS ●¹			PRICE	(I)	(II), (III)	(IV)	
SHOWER TRAY SOUND ABSORBING SET DW-ADS		687675720000	34.50				

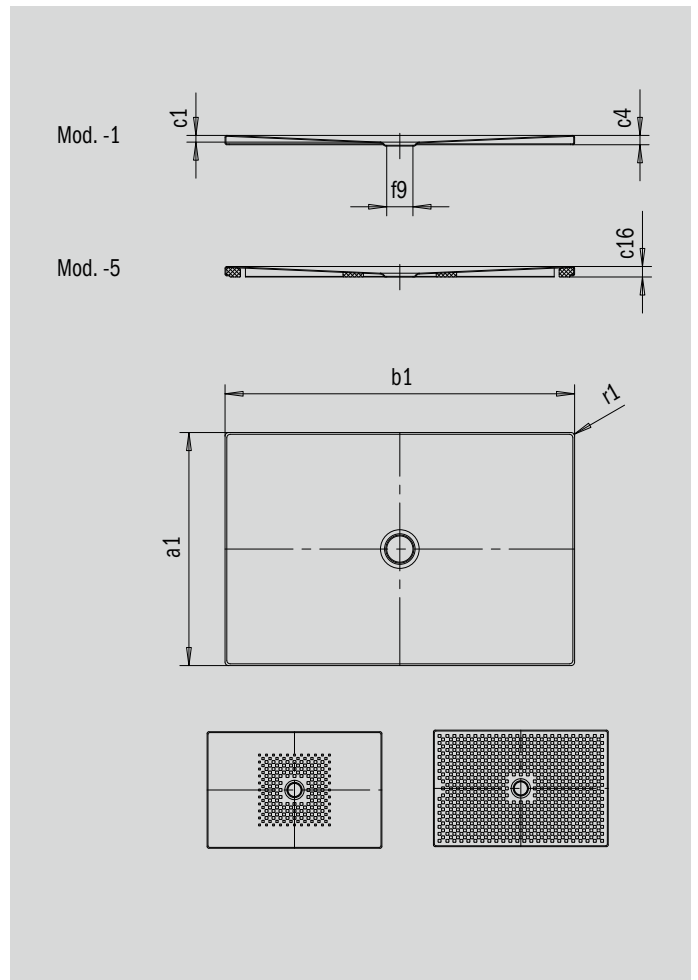
SCONA

- harmonious design with centrally-placed waste
- can be installed absolutely flush to floor
- made of KALDEWEI steel enamel
- flush-fitting recessed waste cover (only in combination with the KA 90 waste fittings)



Similar illustration

Model-1	Total height				Fitting height			
	918	967	968	969	918	967	968	969
KA 90 horizontal	103	103	103	103	80	80	80	80
KA 90 flat	83	83	83	83	60	60	60	60
KA 90 vertical	49	49	49	49	80	80	80	80
Model-5	918	967	968	969	918	967	968	969
KA 90 horizontal	103	103	103	103	80	80	80	80
KA 90 flat	83	83	83	83	60	60	60	60
KA 90 vertical	37	37	37	37	80	80	80	80



ANTISLIP
SECURE⁺

Model		918	967	968	969
External length	a ₁	900	1000	1200	800 mm
External width	b ₁	1200	1200	1200	1300 mm
Depth inside	c ₁	23	23	23	23 mm
Height of rim	c ₄	32	32	32	32 mm
Height with low-profile support	c ₁₆	37	37	37	37 mm
Diameter of waste hole	f ₉	Ø 90	Ø 90	Ø 90	Ø 90 mm
External radius	r ₁	12	12	12	12 mm
Net weight		28	30	37	26 kg
Anti-slip		492 x 492	492 x 492	492 x 492	492 x 492 mm
Full anti-slip		836 x 1124	932 x 1124	1172 x 1172	740 x 1120 mm
ANTI-SLIP SECURE PLUS		full base	full base	full base	full base

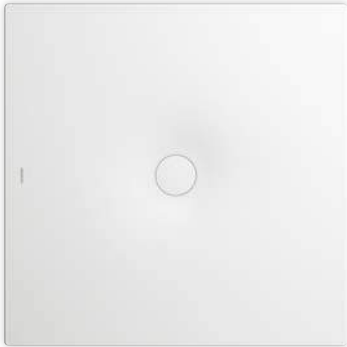
Subject to technical alterations, tolerances and errors. Similar illustration.

KALDEWEI

	Drain Hole	Model Order No.	Dimensions mm	Colour price groups			GBP
				Alpine White (I)	Sanitary Colours (II, III)	Coord. Colours (IV)	
SCONA	Ø 90 mm	918-1 49180001xxxx	1200 x 900 x 23	690.00	897.00	760.00	
		967-1 49670001xxxx	1200 x 1000 x 23	690.00	897.00	760.00	
		968-1 49680001xxxx	1200 x 1200 x 23	690.00	897.00	760.00	
		969-1 49690001xxxx	1300 x 800 x 23	719.00	934.00	790.00	
SCONA WITH LOW-PROFILE SUPPORT	Ø 90 mm	918-5 49184798xxxx	1200 x 900 x 23	724.00	942.00	797.00	
		967-5 49674798xxxx	1200 x 1000 x 23	724.00	942.00	797.00	
		968-5 49684798xxxx	1200 x 1200 x 23	724.00	942.00	797.00	
		969-5 49694798xxxx	1300 x 800 x 23	753.00	979.00	829.00	
OPTIONAL: KALDEWEI PERFECTION SURFACE FINISHES			PRICE	(I)	(II), (III)	(IV)	
EXTRA CHARGE FOR EASY-CLEAN FINISH		xxxxxxx3xxx		82.00	82.00	82.00	
ANTI-SLIP SECURE PLUS Standard-compliant slip resistance (Evaluation group B according to DIN 51097, R10 according to DIN 51130). Fired into the enamel – Slip resistant surface over the entire surface, matt finish only . Cannot be combined with easy-clean finish		xxxxxxx2xxx		165.00		165.00	
FULL ANTI-SLIP Fired into the enamel – Slip resistant pattern over almost the entire surface				236.00	236.00		
PARTIAL ANTI-SLIP Fired into the enamel – Slip resistant pattern over part of the surface				117.50	117.50		
OPTIONAL: KALDEWEI PROFESSIONAL INFLOW/OUTFLOW TECHNOLOGY ●¹			PRICE	(I)	(II), (III)	(IV)	
WASTE FITTING KA 90 HORIZONTAL Chrome waste cover, hair catcher included. Universally applicable for FR and ESR. Optional accessories: enamelled waste cover for KA 90		4109 68772600999	110.00				
WASTE FITTING KA 90 FLAT Chrome waste cover, hair catcher included. Universally applicable for FR and ESR. Optional accessories: enamelled waste cover for KA 90		4104 687772540999	117.50				
WASTE FITTING KA 90 VERTICAL Chrome waste cover, hair catcher included. Universally applicable for FR and ESR. Optional accessories: enamelled waste cover for KA 90		4110 687772610999	149.50				
WASTE COVER KA 90 in addition to the fittings 4109, 4104, 4110 enamelled enamelled ANTI-SLIP SECURE PLUS		68777259xxxx 687772592xxx		39.50 39.50	78.50	39.50 39.50	
OPTIONAL: KALDEWEI PROFESSIONAL INSTALLATION ●¹			PRICE	(I)	(II), (III)	(IV)	
ESR FLOOR LEVEL INSTALLATION SYSTEM (FOR -1 MODELS) 1200 x 900 (actual installation size ESR 1228 x 928) 1200 x 1000 (actual installation size ESR 1228 x 1028) 1200 x 1200 (actual installation size ESR 1228 x 1228) 1300 x 800 (actual installation size ESR 1328 x 828)		640000250000 640000270000 640000280000 640000290000	310.00 310.00 310.00 370.00				
SHOWER TRAY FOOT FRAME FR 5300 Size adjustment up to 1200 x 1200 Size adjustment up to 1800 x 1500		530000130000 530000140000	124.50 177.00				
MAS 5335 CENTRAL SUPPORT SYSTEM for side lengths longer than 900 mm		688077460000	53.50				
OPTIONAL: KALDEWEI PROFESSIONAL WATERPROOF ●¹			PRICE	(I)	(II), (III)	(IV)	
SEALING KIT FLOOR-LEVEL		689720490000	143.50				
SEALING KIT FLEX		689720520000	48.50				
CUT PROTECTION TAPE 6,6M for shower surfaces > 1000 x 1200 mm		689720580000	91.50				
OPTIONAL: KALDEWEI SILENCE PLUS ●¹			PRICE	(I)	(II), (III)	(IV)	
SHOWER TRAY SOUND ABSORBING SET DW-ADS		687675720000	34.50				

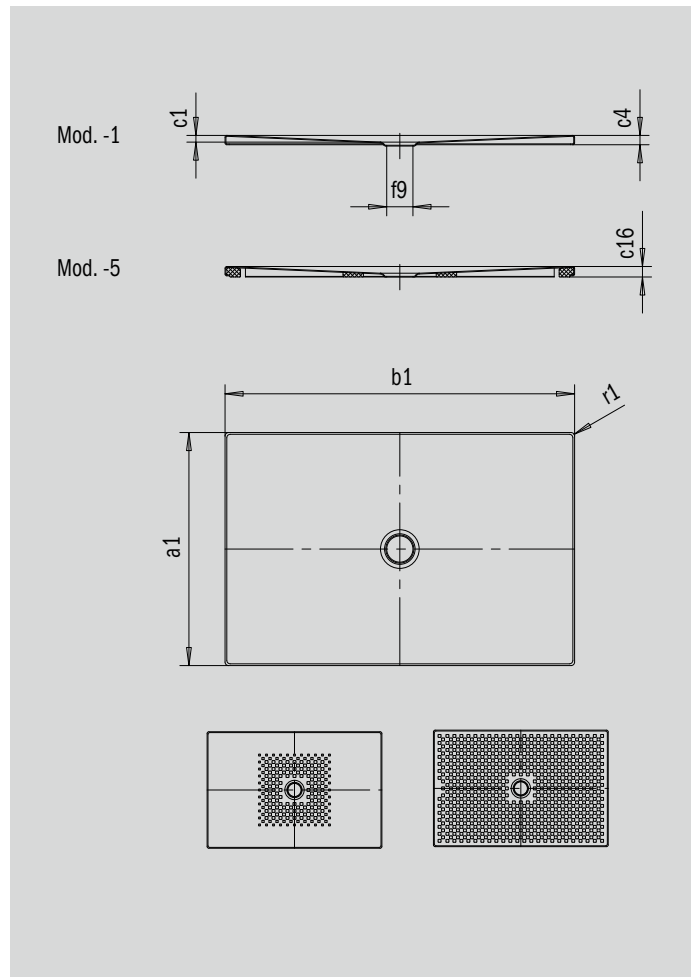
SCONA

- harmonious design with centrally-placed waste
- can be installed absolutely flush to floor
- made of KALDEWEI steel enamel
- flush-fitting recessed waste cover (only in combination with the KA 90 waste fittings)



Similar illustration

Model-1	Total height				Fitting height			
	970	972	974	975	970	972	974	975
KA 90 horizontal	103	103	103	103	80	80	80	80
KA 90 flat	83	83	83	83	60	60	60	60
KA 90 vertical	49	49	49	49	80	80	80	80
Model-5	970	972	974	975	970	972	974	975
KA 90 horizontal	103	103	103	103	80	80	80	80
KA 90 flat	83	83	83	83	60	60	60	60
KA 90 vertical	37	37	37	37	80	80	80	80



ANTISLIP
SECURE⁺

Model		970	972	974	975
External length	a ₁	900	1000	700	750 mm
External width	b ₁	1300	1300	1400	1400 mm
Depth inside	c ₁	23	23	23	23 mm
Height of rim	c ₄	32	32	32	32 mm
Height with low-profile support	c ₁₆	37	37	37	37 mm
Diameter of waste hole	f ₉	Ø 90	Ø 90	Ø 90	Ø 90 mm
External radius	r ₁	12	12	12	12 mm
Net weight		30	34	25	27 kg
Anti-slip		492 x 492	492 x 492	492 x 492	492 x 492 mm
Full anti-slip		836 x 1120	932 x 1120	644 x 1316	692 x 1316 mm
ANTI-SLIP SECURE PLUS		full base	full base	full base	full base

Subject to technical alterations, tolerances and errors. Similar illustration.

KALDEWEI

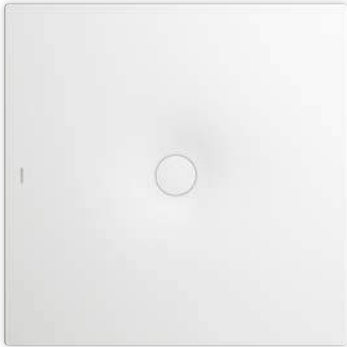


	Drain Hole	Model Order No.	Dimensions mm	Colour price groups			GBP
				Alpine White (I)	Sanitary Colours (II, III)	Coord. Colours (IV)	
SCONA	Ø 90 mm	970-1 49700001xxxx	1300 x 900 x 23	719.00	934.00	790.00	
		972-1 49720001xxxx	1300 x 1000 x 23	719.00	934.00	790.00	
		974-1 49740001xxxx	1400 x 700 x 23	719.00	934.00	790.00	
		975-1 49750001xxxx	1400 x 750 x 23	719.00	934.00	790.00	
SCONA WITH LOW-PROFILE SUPPORT	Ø 90 mm	970-5 49704798xxxx	1300 x 900 x 23	753.00	979.00	829.00	
		972-5 49724798xxxx	1300 x 1000 x 23	753.00	979.00	829.00	
		974-5 49744798xxxx	1400 x 700 x 23	764.00	994.00	840.00	
		975-5 49754798xxxx	1400 x 750 x 23	764.00	994.00	840.00	
OPTIONAL: KALDEWEI PERFECTION SURFACE FINISHES			PRICE	(I)	(II), (III)	(IV)	
EXTRA CHARGE FOR EASY-CLEAN FINISH		xxxxxxx3xxx		82.00	82.00	82.00	
ANTI-SLIP SECURE PLUS							
Standard-compliant slip resistance (Evaluation group B according to DIN 51097, R10 according to DIN 51130). Fired into the enamel - Slip resistant surface over the entire surface, matt finish only . Cannot be combined with easy-clean finish		xxxxxxx2xxx		165.00		165.00	
FULL ANTI-SLIP							
Fired into the enamel - Slip resistant pattern over almost the entire surface				236.00	236.00		
PARTIAL ANTI-SLIP							
Fired into the enamel - Slip resistant pattern over part of the surface				117.50	117.50		
OPTIONAL: KALDEWEI PROFESSIONAL INFLOW/OUTFLOW TECHNOLOGY ●¹			PRICE	(I)	(II), (III)	(IV)	
WASTE FITTING KA 90 HORIZONTAL		4109 68772600999		110.00			
Chrome waste cover, hair catcher included. Universally applicable for FR and ESR. Optional accessories: enamelled waste cover for KA 90							
WASTE FITTING KA 90 FLAT		4104 687772540999		117.50			
Chrome waste cover, hair catcher included. Universally applicable for FR and ESR. Optional accessories: enamelled waste cover for KA 90							
WASTE FITTING KA 90 VERTICAL		4110 687772610999		149.50			
Chrome waste cover, hair catcher included. Universally applicable for FR and ESR. Optional accessories: enamelled waste cover for KA 90							
WASTE COVER KA 90							
in addition to the fittings 4109, 4104, 4110 enamelled		68777259xxxx		39.50	78.50	39.50	
enamelled ANTI-SLIP SECURE PLUS		687772592xxx		39.50		39.50	
OPTIONAL: KALDEWEI PROFESSIONAL INSTALLATION ●¹			PRICE	(I)	(II), (III)	(IV)	
ESR FLOOR LEVEL INSTALLATION SYSTEM (FOR -1 MODELS)							
1300 x 900 (actual installation size ESR 1328 x 928)		640000300000		370.00			
1300 x 1000 (actual installation size ESR 1328 x 1028)		640000310000		370.00			
1400 x 700 (actual installation size ESR 1428 x 728)		640000320000		370.00			
1400 x 750 (actual installation size ESR 1428 x 778)		640000330000		370.00			
SHOWER TRAY FOOT FRAME FR 5300							
Size adjustment up to 1800 x 1500		530000140000		177.00			
MAS 5335 CENTRAL SUPPORT SYSTEM							
for side lengths longer than 900 mm		688077460000		53.50			
OPTIONAL: KALDEWEI PROFESSIONAL WATERPROOF ●¹			PRICE	(I)	(II), (III)	(IV)	
SEALING KIT FLOOR-LEVEL		689720490000		143.50			
SEALING KIT FLEX		689720520000		48.50			
CUT PROTECTION TAPE 6,6M							
for shower surfaces > 1000 x 1200 mm		689720580000		91.50			
OPTIONAL: KALDEWEI SILENCE PLUS ●¹			PRICE	(I)	(II), (III)	(IV)	
SHOWER TRAY SOUND ABSORBING SET DW-ADS		687675720000		34.50			



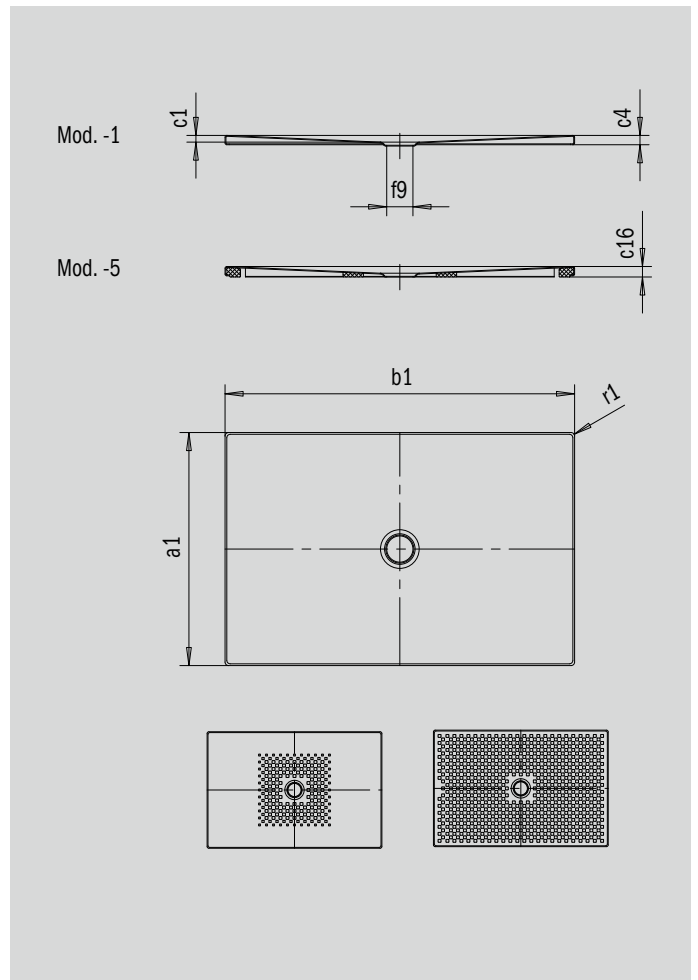
SCONA

- harmonious design with centrally-placed waste
- can be installed absolutely flush to floor
- made of KALDEWEI steel enamel
- flush-fitting recessed waste cover (only in combination with the KA 90 waste fittings)



Similar illustration

Model-1	Total height				Fitting height			
	919	976	977	978	919	976	977	978
KA 90 horizontal	103	103	103	103	80	80	80	80
KA 90 flat	83	83	83	83	60	60	60	60
KA 90 vertical	49	49	49	49	80	80	80	80
Model-5	919	976	977	978	919	976	977	978
KA 90 horizontal	103	103	103	103	80	80	80	80
KA 90 flat	83	83	83	83	60	60	60	60
KA 90 vertical	37	37	37	37	80	80	80	80



ANTISLIP
SECURE ⁺

Model		976	919	977	978
External length	a ₁	800	900	1000	700 mm
External width	b ₁	1400	1400	1400	1500 mm
Depth inside	c ₁	23	23	23	23 mm
Height of rim	c ₄	32	32	32	32 mm
Height with low-profile support	c ₁₆	37	37	37	37 mm
Diameter of waste hole	f ₉	Ø 90	Ø 90	Ø 90	Ø 90 mm
External radius	r ₁	12	12	12	12 mm
Net weight		29	31	35	28 kg
Anti-slip		492 x 492	492 x 492	492 x 492	492 x 492 mm
Full anti-slip		740 x 1316	836 x 1316	932 x 1316	644 x 1412 mm
ANTI-SLIP SECURE PLUS		full base	full base	full base	full base

Subject to technical alterations, tolerances and errors. Similar illustration.

KALDEWEI

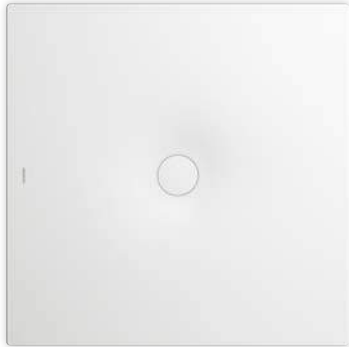


	Drain Hole	Model Order No.	Dimensions mm	Colour price groups			GBP
				Alpine White (I)	Sanitary Colours (II, III)	Coord. Colours (IV)	
SCONA	Ø 90 mm	976-1 49760001xxxx	1400 x 800 x 23	719.00	934.00	790.00	
		919-1 49190001xxxx	1400 x 900 x 23	719.00	934.00	790.00	
		977-1 49770001xxxx	1400 x 1000 x 23	732.00	952.00	805.00	
		978-1 49780001xxxx	1500 x 700 x 23	732.00	952.00	805.00	
SCONA WITH LOW-PROFILE SUPPORT	Ø 90 mm	976-5 49764798xxxx	1400 x 800 x 23	764.00	994.00	840.00	
		919-5 49194798xxxx	1400 x 900 x 23	764.00	994.00	840.00	
		977-5 49774798xxxx	1400 x 1000 x 23	777.00	1,011.00	856.00	
		978-5 49784798xxxx	1500 x 700 x 23	777.00	1,011.00	856.00	
OPTIONAL: KALDEWEI PERFECTION SURFACE FINISHES			PRICE	(I)	(II), (III)	(IV)	
EXTRA CHARGE FOR EASY-CLEAN FINISH		xxxxxxx3xxx		82.00	82.00	82.00	
ANTI-SLIP SECURE PLUS Standard-compliant slip resistance (Evaluation group B according to DIN 51097, R10 according to DIN 51130). Fired into the enamel - Slip resistant surface over the entire surface, matt finish only . Cannot be combined with easy-clean finish		xxxxxxx2xxx		165.00		165.00	
FULL ANTI-SLIP Fired into the enamel - Slip resistant pattern over almost the entire surface				236.00	236.00		
PARTIAL ANTI-SLIP Fired into the enamel - Slip resistant pattern over part of the surface				117.50	117.50		
OPTIONAL: KALDEWEI PROFESSIONAL INFLOW/OUTFLOW TECHNOLOGY ●¹			PRICE	(I)	(II), (III)	(IV)	
WASTE FITTING KA 90 HORIZONTAL Chrome waste cover, hair catcher included. Universally applicable for FR and ESR. Optional accessories: enamelled waste cover for KA 90		4109 68772600999	110.00				
WASTE FITTING KA 90 FLAT Chrome waste cover, hair catcher included. Universally applicable for FR and ESR. Optional accessories: enamelled waste cover for KA 90		4104 687772540999	117.50				
WASTE FITTING KA 90 VERTICAL Chrome waste cover, hair catcher included. Universally applicable for FR and ESR. Optional accessories: enamelled waste cover for KA 90		4110 687772610999	149.50				
WASTE COVER KA 90 in addition to the fittings 4109, 4104, 4110 enamelled enamelled ANTI-SLIP SECURE PLUS		68777259xxxx 687772592xxx		39.50 39.50	78.50	39.50 39.50	
OPTIONAL: KALDEWEI PROFESSIONAL INSTALLATION ●¹			PRICE	(I)	(II), (III)	(IV)	
ESR FLOOR LEVEL INSTALLATION SYSTEM (FOR -1 MODELS) 1400 x 800 (actual installation size ESR 1428 x 828) 1400 x 900 (actual installation size ESR 1428 x 928) 1400 x 1000 (actual installation size ESR 1428 x 1028) 1500 x 700 (actual installation size ESR 1528 x 728)		640000340000 640000350000 640000360000 640000370000	370.00 370.00 370.00 506.00				
SHOWER TRAY FOOT FRAME FR 5300 Size adjustment up to 1800 x 1500		530000140000	177.00				
MAS 5335 CENTRAL SUPPORT SYSTEM for side lengths longer than 900 mm		688077460000	53.50				
OPTIONAL: KALDEWEI PROFESSIONAL WATERPROOF ●¹			PRICE	(I)	(II), (III)	(IV)	
SEALING KIT FLOOR-LEVEL		689720490000	143.50				
SEALING KIT FLEX		689720520000	48.50				
CUT PROTECTION TAPE 6,6M for shower surfaces > 1000 x 1200 mm		689720580000	91.50				
OPTIONAL: KALDEWEI SILENCE PLUS ●¹			PRICE	(I)	(II), (III)	(IV)	
SHOWER TRAY SOUND ABSORBING SET DW-ADS		687675720000	34.50				



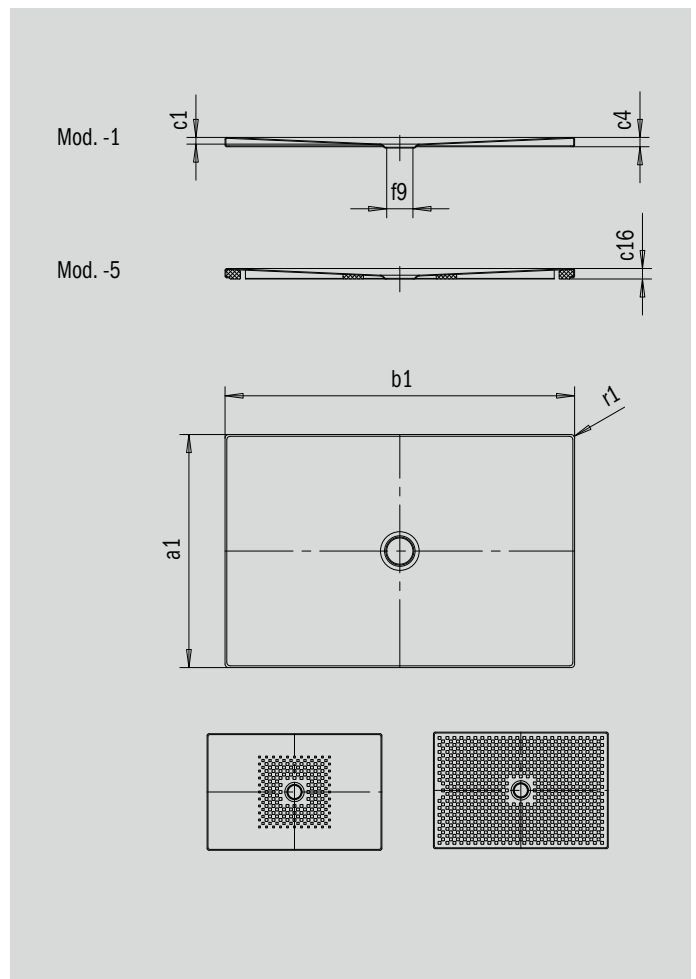
SCONA

- harmonious design with centrally-placed waste
- can be installed absolutely flush to floor
- made of KALDEWEI steel enamel
- flush-fitting recessed waste cover (only in combination with the KA 90 waste fittings)



Similar illustration

Model-1	Total height				Fitting height			
	979	982	983	984	979	982	983	984
KA 90 horizontal	103	103	103	103	80	80	80	80
KA 90 flat	83	83	83	83	60	60	60	60
KA 90 vertical	49	49	49	49	80	80	80	80
Model-5	979	982	983	984	979	982	983	984
KA 90 horizontal	103	103	103	103	80	80	80	80
KA 90 flat	83	83	83	83	60	60	60	60
KA 90 vertical	37	37	37	37	80	80	80	80



ANTISLIP
SECURE⁺

Model		979	982	983	984
External length	a ₁	750	800	900	1000 mm
External width	b ₁	1500	1500	1500	1500 mm
Depth inside	c ₁	23	23	23	23 mm
Height of rim	c ₄	32	32	32	32 mm
Height with low-profile support	c ₁₆	37	37	37	37 mm
Diameter of waste hole	f ₉	Ø 90	Ø 90	Ø 90	Ø 90 mm
External radius	r ₁	12	12	12	12 mm
Net weight		31	33	35	38 kg
Anti-slip		492 x 492	492 x 492	492 x 492	492 x 492 mm
Full anti-slip		692 x 1412	740 x 1412	836 x 1412	932 x 1412 mm
ANTI-SLIP SECURE PLUS		full base	full base	full base	full base

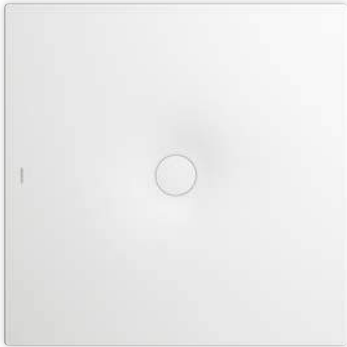
Subject to technical alterations, tolerances and errors. Similar illustration.

KALDEWEI

	Drain Hole	Model Order No.	Dimensions mm	Colour price groups			GBP
				Alpine White (I)	Sanitary Colours (II, III)	Coord. Colours (IV)	
SCONA	Ø 90 mm	979-1 49790001xxxx	1500 x 750 x 23	732.00	952.00	805.00	
		982-1 49820001xxxx	1500 x 800 x 23	732.00	952.00	805.00	
		983-1 49830001xxxx	1500 x 900 x 23	732.00	952.00	805.00	
		984-1 49840001xxxx	1500 x 1000 x 23	732.00	952.00	805.00	
SCONA WITH LOW-PROFILE SUPPORT	Ø 90 mm	979-5 49794798xxxx	1500 x 750 x 23	777.00	1,011.00	856.00	
		982-5 49824798xxxx	1500 x 800 x 23	777.00	1,011.00	856.00	
		983-5 49834798xxxx	1500 x 900 x 23	777.00	1,011.00	856.00	
		984-5 49844798xxxx	1500 x 1000 x 23	777.00	1,011.00	856.00	
OPTIONAL: KALDEWEI PERFECTION SURFACE FINISHES			PRICE	(I)	(II), (III)	(IV)	
EXTRA CHARGE FOR EASY-CLEAN FINISH		xxxxxxx3xxx		82.00	82.00	82.00	
ANTI-SLIP SECURE PLUS Standard-compliant slip resistance (Evaluation group B according to DIN 51097, R10 according to DIN 51130). Fired into the enamel – Slip resistant surface over the entire surface, matt finish only . Cannot be combined with easy-clean finish		xxxxxxx2xxx		165.00		165.00	
FULL ANTI-SLIP Fired into the enamel – Slip resistant pattern over almost the entire surface				236.00	236.00		
PARTIAL ANTI-SLIP Fired into the enamel – Slip resistant pattern over part of the surface				117.50	117.50		
OPTIONAL: KALDEWEI PROFESSIONAL INFLOW/OUTFLOW TECHNOLOGY ●¹			PRICE	(I)	(II), (III)	(IV)	
WASTE FITTING KA 90 HORIZONTAL Chrome waste cover, hair catcher included. Universally applicable for FR and ESR. Optional accessories: enamelled waste cover for KA 90		4109 68772600999	110.00				
WASTE FITTING KA 90 FLAT Chrome waste cover, hair catcher included. Universally applicable for FR and ESR. Optional accessories: enamelled waste cover for KA 90		4104 687772540999	117.50				
WASTE FITTING KA 90 VERTICAL Chrome waste cover, hair catcher included. Universally applicable for FR and ESR. Optional accessories: enamelled waste cover for KA 90		4110 687772610999	149.50				
WASTE COVER KA 90 in addition to the fittings 4109, 4104, 4110 enamelled enamelled ANTI-SLIP SECURE PLUS		68777259xxxx 687772592xxx		39.50 39.50	78.50	39.50 39.50	
OPTIONAL: KALDEWEI PROFESSIONAL INSTALLATION ●¹			PRICE	(I)	(II), (III)	(IV)	
ESR FLOOR LEVEL INSTALLATION SYSTEM (FOR -1 MODELS) 1500 x 750 (actual installation size ESR 1528 x 778) 1500 x 800 (actual installation size ESR 1528 x 828) 1500 x 900 (actual installation size ESR 1528 x 928) 1500 x 1000 (actual installation size ESR 1528 x 1028)		640000380000 640000540000 640000390000 640000400000	506.00 506.00 506.00 506.00				
SHOWER TRAY FOOT FRAME FR 5300 Size adjustment up to 1800 x 1500		530000140000	177.00				
MAS 5335 CENTRAL SUPPORT SYSTEM for side lengths longer than 900 mm		688077460000	53.50				
OPTIONAL: KALDEWEI PROFESSIONAL WATERPROOF ●¹			PRICE	(I)	(II), (III)	(IV)	
SEALING KIT FLOOR-LEVEL		689720490000	143.50				
SEALING KIT FLEX		689720520000	48.50				
CUT PROTECTION TAPE 6,6M for shower surfaces > 1000 x 1200 mm		689720580000	91.50				
OPTIONAL: KALDEWEI SILENCE PLUS ●¹			PRICE	(I)	(II), (III)	(IV)	
SHOWER TRAY SOUND ABSORBING SET DW-ADS		687675720000	34.50				

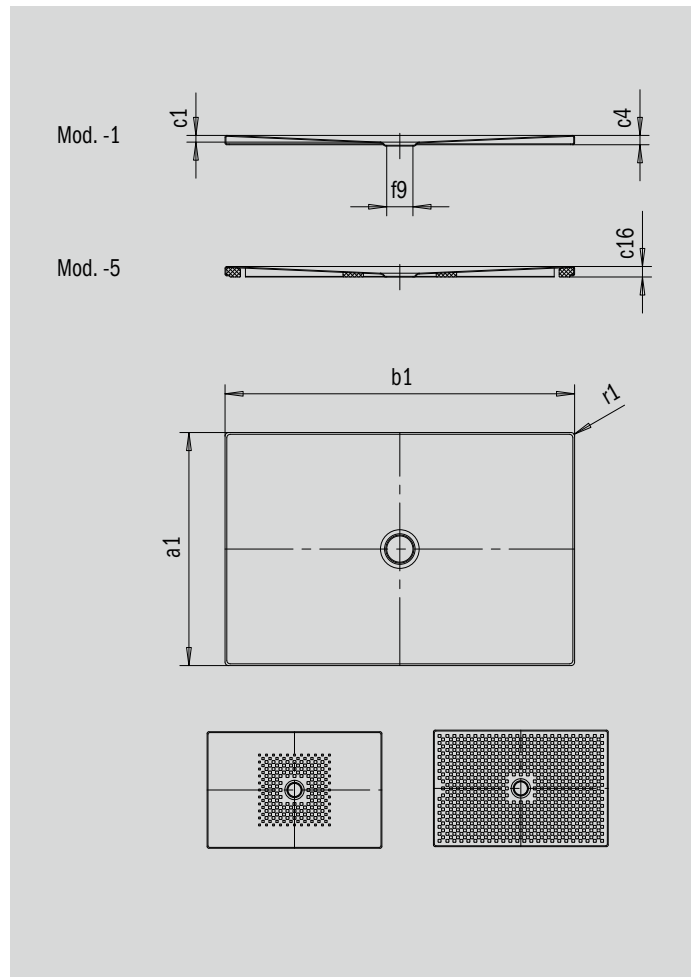
SCONA

- harmonious design with centrally-placed waste
- can be installed absolutely flush to floor
- made of KALDEWEI steel enamel
- flush-fitting recessed waste cover (only in combination with the KA 90 waste fittings)



Similar illustration

Model-1	Total height				Fitting height			
	985	986	987	988	985	986	987	988
KA 90 horizontal	103	103	103	103	80	80	80	80
KA 90 flat	83	83	83	83	60	60	60	60
KA 90 vertical	49	49	49	49	80	80	80	80
Model-5	985	986	987	988	985	986	987	988
KA 90 horizontal	103	103	103	103	80	80	80	80
KA 90 flat	83	83	83	83	60	60	60	60
KA 90 vertical	37	37	37	37	80	80	80	80



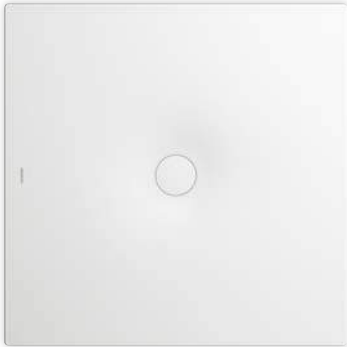
ANTISLIP
SECURE⁺

Model		985	986	987	988
External length	a ₁	700	750	800	900 mm
External width	b ₁	1600	1600	1600	1600 mm
Depth inside	c ₁	23	23	23	23 mm
Height of rim	c ₄	32	32	32	32 mm
Height with low-profile support	c ₁₆	37	37	37	37 mm
Diameter of waste hole	f ₉	Ø 90	Ø 90	Ø 90	Ø 90 mm
External radius	r ₁	12	12	12	12 mm
Net weight		28	30	35	36 kg
Anti-slip		492 x 492	492 x 492	492 x 492	492 x 492 mm
Full anti-slip		644 x 1508	692 x 1556	740 x 1556	836 x 1556 mm
ANTI-SLIP SECURE PLUS		full base	full base	full base	full base

	Drain Hole	Model Order No.	Dimensions mm	Colour price groups			GBP
				Alpine White (I)	Sanitary Colours (II, III)	Coord. Colours (IV)	
SCONA	Ø 90 mm	985-1 49850001xxxx	1600 x 700 x 23	774.00	1,007.00	852.00	
		986-1 49860001xxxx	1600 x 750 x 23	774.00	1,007.00	852.00	
		987-1 49870001xxxx	1600 x 800 x 23	774.00	1,007.00	852.00	
		988-1 49880001xxxx	1600 x 900 x 23	774.00	1,007.00	852.00	
SCONA WITH LOW-PROFILE SUPPORT	Ø 90 mm	985-5 49854798xxxx	1600 x 700 x 23	834.00	1,084.00	918.00	
		986-5 49864798xxxx	1600 x 750 x 23	834.00	1,084.00	918.00	
		987-5 49874798xxxx	1600 x 800 x 23	834.00	1,084.00	918.00	
		988-5 49884798xxxx	1600 x 900 x 23	834.00	1,084.00	918.00	
OPTIONAL: KALDEWEI PERFECTION SURFACE FINISHES			PRICE	(I)	(II), (III)	(IV)	
EXTRA CHARGE FOR EASY-CLEAN FINISH		xxxxxxx3xxx		82.00	82.00	82.00	
ANTI-SLIP SECURE PLUS Standard-compliant slip resistance (Evaluation group B according to DIN 51097, R10 according to DIN 51130). Fired into the enamel – Slip resistant surface over the entire surface, matt finish only . Cannot be combined with easy-clean finish		xxxxxxx2xxx		165.00		165.00	
FULL ANTI-SLIP Fired into the enamel – Slip resistant pattern over almost the entire surface				236.00	236.00		
PARTIAL ANTI-SLIP Fired into the enamel – Slip resistant pattern over part of the surface				117.50	117.50		
OPTIONAL: KALDEWEI PROFESSIONAL INFLOW/OUTFLOW TECHNOLOGY ●¹			PRICE	(I)	(II), (III)	(IV)	
WASTE FITTING KA 90 HORIZONTAL Chrome waste cover, hair catcher included. Universally applicable for FR and ESR. Optional accessories: enamelled waste cover for KA 90		4109 68772600999	110.00				
WASTE FITTING KA 90 FLAT Chrome waste cover, hair catcher included. Universally applicable for FR and ESR. Optional accessories: enamelled waste cover for KA 90		4104 687772540999	117.50				
WASTE FITTING KA 90 VERTICAL Chrome waste cover, hair catcher included. Universally applicable for FR and ESR. Optional accessories: enamelled waste cover for KA 90		4110 687772610999	149.50				
WASTE COVER KA 90 in addition to the fittings 4109, 4104, 4110 enamelled enamelled ANTI-SLIP SECURE PLUS		68777259xxxx 687772592xxx		39.50 39.50	78.50	39.50 39.50	
OPTIONAL: KALDEWEI PROFESSIONAL INSTALLATION ●¹			PRICE	(I)	(II), (III)	(IV)	
ESR FLOOR LEVEL INSTALLATION SYSTEM (FOR -1 MODELS) 1600 x 700 (actual installation size ESR 1628 x 728) 1600 x 750 (actual installation size ESR 1628 x 778) 1600 x 800 (actual installation size ESR 1628 x 828) 1600 x 900 (actual installation size ESR 1628 x 928)		640000420000 640000430000 640000550000 640000440000	506.00 506.00 506.00 506.00				
SHOWER TRAY FOOT FRAME FR 5300 Size adjustment up to 1800 x 1500		530000140000	177.00				
MAS 5335 CENTRAL SUPPORT SYSTEM for side lengths longer than 900 mm		688077460000	53.50				
OPTIONAL: KALDEWEI PROFESSIONAL WATERPROOF ●¹			PRICE	(I)	(II), (III)	(IV)	
SEALING KIT FLOOR-LEVEL		689720490000	143.50				
SEALING KIT FLEX		689720520000	48.50				
CUT PROTECTION TAPE 6,6M for shower surfaces > 1000 x 1200 mm		689720580000	91.50				
OPTIONAL: KALDEWEI SILENCE PLUS ●¹			PRICE	(I)	(II), (III)	(IV)	
SHOWER TRAY SOUND ABSORBING SET DW-ADS		687675720000	34.50				

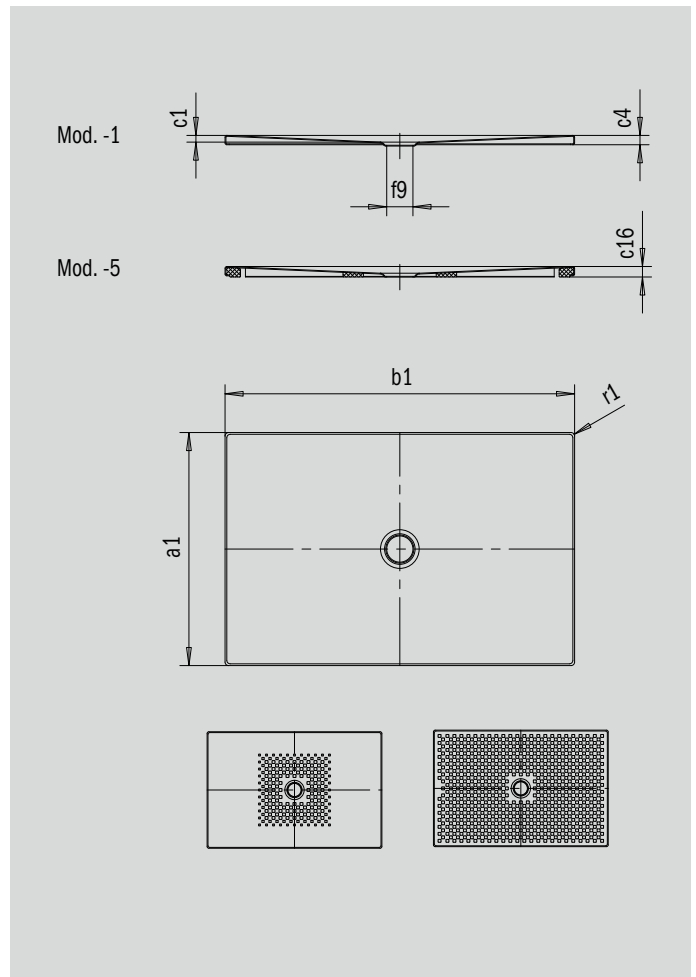
SCONA

- harmonious design with centrally-placed waste
- can be installed absolutely flush to floor
- made of KALDEWEI steel enamel
- flush-fitting recessed waste cover (only in combination with the KA 90 waste fittings)



Similar illustration

Model-1	Total height				Fitting height			
	989	991	993	994	989	991	993	994
KA 90 horizontal	103	103	103	103	80	80	80	80
KA 90 flat	83	83	83	83	60	60	60	60
KA 90 vertical	49	49	49	49	80	80	80	80
Model-5	989	991	993	994	989	991	993	994
KA 90 horizontal	103	103	103	103	80	80	80	80
KA 90 flat	83	83	83	83	60	60	60	60
KA 90 vertical	37	37	37	37	80	80	80	80



ANTISLIP
SECURE

Model		989	991	993	994
External length	a_1	1000	700	750	900 mm
External width	b_1	1600	1700	1700	1700 mm
Depth inside	c_1	23	23	23	23 mm
Height of rim	c_4	32	32	32	32 mm
Height with low-profile support	c_{16}	37	37	37	37 mm
Diameter of waste hole	f_9	Ø 90	Ø 90	Ø 90	Ø 90 mm
External radius	r_1	12	12	12	12 mm
Net weight		40	30	33	40 kg
Anti-slip		492 x 492	492 x 492	492 x 492	492 x 492 mm
Full anti-slip		932 x 1556	644 x 1604	692 x 1652	836 x 1652 mm
ANTI-SLIP SECURE PLUS		full base	full base	full base	full base



	Drain Hole	Model Order No.	Dimensions mm	Colour price groups			GBP
				Alpine White (I)	Sanitary Colours (II, III)	Coord. Colours (IV)	
SCONA	Ø 90 mm	989-1 49890001xxxx	1600 x 1000 x 23	774.00	1,007.00	852.00	
		991-1 49910001xxxx	1700 x 700 x 23	774.00	1,007.00	852.00	
		993-1 49930001xxxx	1700 x 750 x 23	774.00	1,007.00	852.00	
		994-1 49940001xxxx	1700 x 900 x 23	774.00	1,007.00	852.00	
SCONA WITH LOW-PROFILE SUPPORT	Ø 90 mm	989-5 49894798xxxx	1600 x 1000 x 23	834.00	1,084.00	918.00	
		991-5 49914798xxxx	1700 x 700 x 23	834.00	1,084.00	918.00	
		993-5 49934798xxxx	1700 x 750 x 23	834.00	1,084.00	918.00	
		994-5 49944798xxxx	1700 x 900 x 23	834.00	1,084.00	918.00	
OPTIONAL: KALDEWEI PERFECTION SURFACE FINISHES			PRICE	(I)	(II), (III)	(IV)	
EXTRA CHARGE FOR EASY-CLEAN FINISH		xxxxxxx3xxx		82.00	82.00	82.00	
ANTI-SLIP SECURE PLUS Standard-compliant slip resistance (Evaluation group B according to DIN 51097, R10 according to DIN 51130). Fired into the enamel – Slip resistant surface over the entire surface, matt finish only . Cannot be combined with easy-clean finish		xxxxxxx2xxx		165.00		165.00	
FULL ANTI-SLIP Fired into the enamel – Slip resistant pattern over almost the entire surface				236.00	236.00		
PARTIAL ANTI-SLIP Fired into the enamel – Slip resistant pattern over part of the surface				117.50	117.50		
OPTIONAL: KALDEWEI PROFESSIONAL INFLOW/OUTFLOW TECHNOLOGY ●¹			PRICE	(I)	(II), (III)	(IV)	
WASTE FITTING KA 90 HORIZONTAL Chrome waste cover, hair catcher included. Universally applicable for FR and ESR. Optional accessories: enamelled waste cover for KA 90		4109 68772600999	110.00				
WASTE FITTING KA 90 FLAT Chrome waste cover, hair catcher included. Universally applicable for FR and ESR. Optional accessories: enamelled waste cover for KA 90		4104 687772540999	117.50				
WASTE FITTING KA 90 VERTICAL Chrome waste cover, hair catcher included. Universally applicable for FR and ESR. Optional accessories: enamelled waste cover for KA 90		4110 687772610999	149.50				
WASTE COVER KA 90 in addition to the fittings 4109, 4104, 4110 enamelled enamelled ANTI-SLIP SECURE PLUS		68777259xxxx 687772592xxx		39.50 39.50	78.50	39.50 39.50	
OPTIONAL: KALDEWEI PROFESSIONAL INSTALLATION ●¹			PRICE	(I)	(II), (III)	(IV)	
ESR FLOOR LEVEL INSTALLATION SYSTEM (FOR -1 MODELS) 1600 x 1000 (actual installation size ESR 1628 x 1028) 1700 x 700 (actual installation size ESR 1728 x 728) 1700 x 750 (actual installation size ESR 1728 x 778) 1700 x 900 (actual installation size ESR 1728 x 928)		640000450000 640000460000 640000470000 640000480000	506.00 506.00 506.00 506.00				
SHOWER TRAY FOOT FRAME FR 5300 Size adjustment up to 1800 x 1500		530000140000	177.00				
MAS 5335 CENTRAL SUPPORT SYSTEM for side lengths longer than 900 mm		688077460000	53.50				
OPTIONAL: KALDEWEI PROFESSIONAL WATERPROOF ●¹			PRICE	(I)	(II), (III)	(IV)	
SEALING KIT FLOOR-LEVEL		689720490000	143.50				
SEALING KIT FLEX		689720520000	48.50				
CUT PROTECTION TAPE 6,6M for shower surfaces > 1000 x 1200 mm		689720580000	91.50				
OPTIONAL: KALDEWEI SILENCE PLUS ●¹			PRICE	(I)	(II), (III)	(IV)	
SHOWER TRAY SOUND ABSORBING SET DW-ADS		687675720000	34.50				



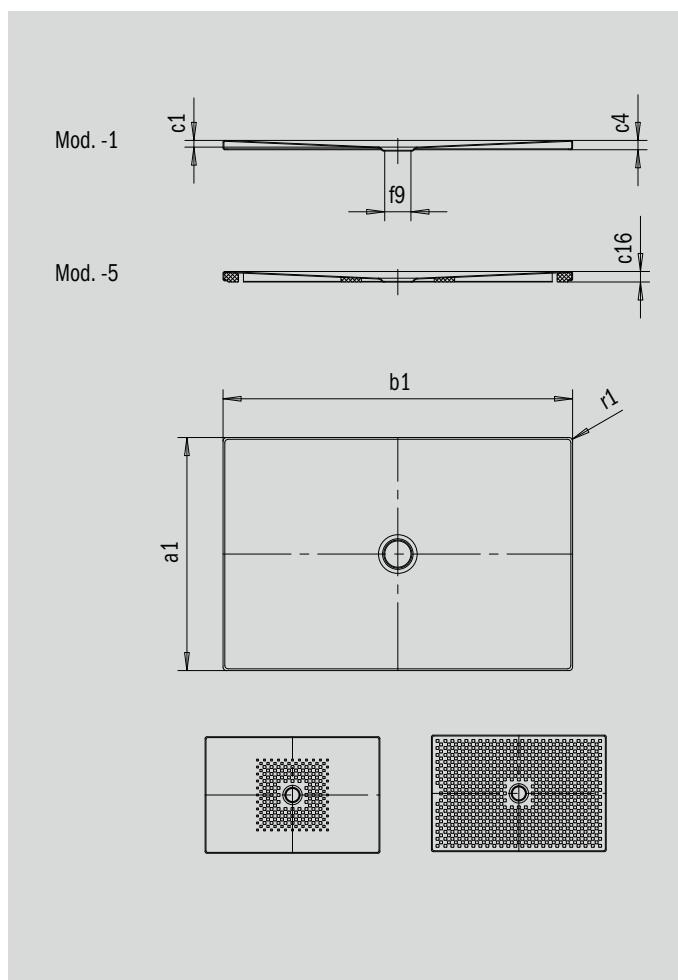
SCONA

- harmonious design with centrally-placed waste
- can be installed absolutely flush to floor
- made of KALDEWEI steel enamel
- flush-fitting recessed waste cover (only in combination with the KA 90 waste fittings)



Similar illustration

Model-1	Total height				Fitting height			
	995	996	997	998	995	996	997	998
KA 90 horizontal	103	103	103	103	80	80	80	80
KA 90 flat	83	83	83	83	60	60	60	60
KA 90 vertical	49	49	49	49	80	80	80	80
Model-5	995	996	997	998	995	996	997	998
KA 90 horizontal	103	103	103	103	80	80	80	80
KA 90 flat	83	83	83	83	60	60	60	60
KA 90 vertical	37	37	37	37	80	80	80	80



ANTISLIP
SECURE⁺

Model		995	996	997	998
External length	a_1	1000	800	900	1000 mm
External width	b_1	1700	1800	1800	1800 mm
Depth inside	c_1	23	23	23	23 mm
Height of rim	c_4	32	32	32	32 mm
Height with low-profile support	c_{16}	37	37	37	37 mm
Diameter of waste hole	f_9	Ø 90	Ø 90	Ø 90	Ø 90 mm
External radius	r_1	12	12	12	12 mm
Net weight		43	37	41	44 kg
Anti-slip		492 x 492	492 x 492	492 x 492	492 x 492 mm
Full anti-slip		932 x 1652	740 x 1748	836 x 1748	932 x 1748 mm
ANTI-SLIP SECURE PLUS		full base	full base	full base	full base



	Drain Hole	Model Order No.	Dimensions mm	Colour price groups			GBP
				Alpine White (I)	Sanitary Colours (II, III)	Coord. Colours (IV)	
SCONA	Ø 90 mm	995-1 49950001xxxx	1700 x 1000 x 23	832.00	1,081.00	915.00	
		996-1 49960001xxxx	1800 x 800 x 23	813.00	1,055.00	894.00	
		997-1 49970001xxxx	1800 x 900 x 23	813.00	1,055.00	894.00	
		998-1 49980001xxxx	1800 x 1000 x 23	832.00	1,081.00	915.00	
SCONA WITH LOW-PROFILE SUPPORT	Ø 90 mm	995-5 49954798xxxx	1700 x 1000 x 23	892.00	1,158.00	981.00	
		996-5 49964798xxxx	1800 x 800 x 23	873.00	1,133.00	958.00	
		997-5 49974798xxxx	1800 x 900 x 23	873.00	1,133.00	958.00	
		998-5 49984798xxxx	1800 x 1000 x 23	892.00	1,158.00	981.00	
OPTIONAL: KALDEWEI PERFECTION SURFACE FINISHES			PRICE	(I)	(II), (III)	(IV)	
EXTRA CHARGE FOR EASY-CLEAN FINISH		xxxxxxx3xxx		82.00	82.00	82.00	
ANTI-SLIP SECURE PLUS							
Standard-compliant slip resistance (Evaluation group B according to DIN 51097, R10 according to DIN 51130). Fired into the enamel - Slip resistant surface over the entire surface, matt finish only . Cannot be combined with easy-clean finish		xxxxxxx2xxx		165.00		165.00	
FULL ANTI-SLIP							
Fired into the enamel - Slip resistant pattern over almost the entire surface				236.00	236.00		
PARTIAL ANTI-SLIP							
Fired into the enamel - Slip resistant pattern over part of the surface				117.50	117.50		
OPTIONAL: KALDEWEI PROFESSIONAL INFLOW/OUTFLOW TECHNOLOGY ●¹			PRICE	(I)	(II), (III)	(IV)	
WASTE FITTING KA 90 HORIZONTAL		4109 68772600999	110.00				
Chrome waste cover, hair catcher included. Universally applicable for FR and ESR. Optional accessories: enamelled waste cover for KA 90							
WASTE FITTING KA 90 FLAT		4104 687772540999	117.50				
Chrome waste cover, hair catcher included. Universally applicable for FR and ESR. Optional accessories: enamelled waste cover for KA 90							
WASTE FITTING KA 90 VERTICAL		4110 687772610999	149.50				
Chrome waste cover, hair catcher included. Universally applicable for FR and ESR. Optional accessories: enamelled waste cover for KA 90							
WASTE COVER KA 90							
in addition to the fittings 4109, 4104, 4110 enamelled enamelled ANTI-SLIP SECURE PLUS		68777259xxxx 687772592xxx		39.50 39.50	78.50	39.50 39.50	
OPTIONAL: KALDEWEI PROFESSIONAL INSTALLATION ●¹			PRICE	(I)	(II), (III)	(IV)	
ESR FLOOR LEVEL INSTALLATION SYSTEM (FOR -1 MODELS)							
1700 x 1000 (actual installation size ESR 1728 x 1028)		640000490000	506.00				
1800 x 800 (actual installation size ESR 1828 x 828)		640000500000	506.00				
1800 x 900 (actual installation size ESR 1828 x 928)		640000510000	506.00				
1800 x 1000 (actual installation size ESR 1828 x 1028)		640000520000	506.00				
SHOWER TRAY FOOT FRAME FR 5300							
Size adjustment up to 1800 x 1500		530000140000	177.00				
MAS 5335 CENTRAL SUPPORT SYSTEM							
for side lengths longer than 900 mm		688077460000	53.50				
OPTIONAL: KALDEWEI PROFESSIONAL WATERPROOF ●¹			PRICE	(I)	(II), (III)	(IV)	
SEALING KIT FLOOR-LEVEL		689720490000	143.50				
SEALING KIT FLEX		689720520000	48.50				
CUT PROTECTION TAPE 6,6M							
for shower surfaces > 1000 x 1200 mm		689720580000	91.50				
OPTIONAL: KALDEWEI SILENCE PLUS ●¹			PRICE	(I)	(II), (III)	(IV)	
SHOWER TRAY SOUND ABSORBING SET DW-ADS		687675720000	34.50				



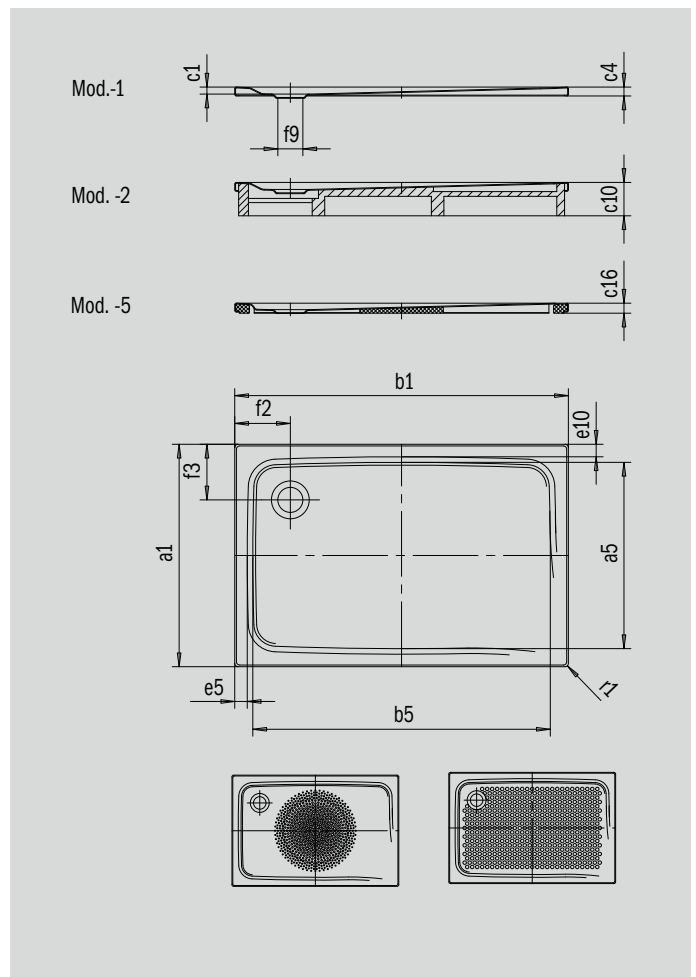
SUPERPLAN

- exclusive, elegant design
- made of KALDEWEI steel enamel
- flush-fitting recessed waste cover (only in combination with the KA 90 waste fittings)



Similar illustration

	Total height			Fitting height		
	385	386	400	385	386	400
Model-1						
KA 90 horizontal	105	105	105	80	80	80
KA 90 flat	85	85	85	60	60	60
KA 90 vertical	49	49	49	80	80	80
Model-2	120	120	120			
Model-5	385	386	400	385	386	400
KA 90 horizontal	105	105	105	80	80	80
KA 90 flat	85	85	85	60	60	60
KA 90 vertical	37	37	37	80	80	80



ANTISLIP
SECURE ⁺

Model		385	386	400
External length	a_1	750	800	700 mm
Internal length	a_5	650	690	600 mm
External width	b_1	800	800	900 mm
Internal width	b_5	700	690	800 mm
Depth inside	c_1	25	25	25 mm
Height of rim	c_4	32	32	32 mm
Height with support	c_{10}	120	120	120 mm
Height with low-profile support	c_{16}	37	37	37 mm
Width of rim	e_{10}, e_5	50; 50	50; 50	50; 50 mm
Diameter of waste hole	f_9	Ø 90	Ø 90	Ø 90 mm
Distance bath edge to centre of waste hole	f_2, f_3	200; 200	200; 200	200; 200 mm
External radius	r_1	12	12	12 mm
Net weight		16	18	17 kg
Diameter of anti-slip		Ø 435	Ø 435	Ø 435 mm
Full anti-slip		524 x 565	586 x 565	461 x 673 mm
ANTI-SLIP SECURE PLUS		full base	full base	full base

Subject to technical alterations, tolerances and errors. Similar illustration.

KALDEWEI

	Drain Hole	Model Order No.	Dimensions mm	Colour price groups			GBP
				Alpine White (I)	Sanitary Colours (II, III)	Coord. Colours (IV)	
SUPERPLAN	Ø 90 mm	385-1 44760001xxxx	800 x 750 x 25	427.00	554.00	469.00	
		386-1 44750001xxxx	800 x 800 x 25	368.00	478.00	406.00	
		400-1 43000001xxxx	900 x 700 x 25	414.00	539.00	458.00	
SUPERPLAN WITH SUPPORT Total height with support: 120 mm	Ø 90 mm	385-2 44764804xxxx	800 x 750 x 25	480.00	623.00	528.00	
		386-2 44754804xxxx	800 x 800 x 25	424.00	551.00	466.00	
		400-2 43004804xxxx	900 x 700 x 25	469.00	608.00	516.00	
SUPERPLAN WITH SUPPORT Height with support: 37 mm	Ø 90 mm	385-5 44764798xxxx	800 x 750 x 25	444.00	577.00	489.00	
		386-5 44754798xxxx	800 x 800 x 25	387.00	503.00	427.00	
		400-5 43004798xxxx	900 x 700 x 25	433.00	562.00	477.00	
OPTIONAL: KALDEWEI PERFECTION SURFACE FINISHES			PRICE	(I)	(II), (III)	(IV)	
EXTRA CHARGE FOR EASY-CLEAN FINISH		xxxxxxx3xxx		82.00	82.00	82.00	
ANTI-SLIP SECURE PLUS Standard-compliant slip resistance (Evaluation group B according to DIN 51097, R10 according to DIN 51130). Fired into the enamel – Slip resistant surface over the entire surface, matt finish only . Cannot be combined with easy-clean finish		xxxxxxx2xxx		165.00		165.00	
FULL ANTI-SLIP Fired into the enamel – Slip resistant pattern over almost the entire surface				236.00	236.00		
PARTIAL ANTI-SLIP Fired into the enamel – Slip resistant pattern over part of the surface				117.50	117.50		
OPTIONAL: KALDEWEI PROFESSIONAL INFLOW/OUTFLOW TECHNOLOGY ●¹			PRICE	(I)	(II), (III)	(IV)	
WASTE FITTING KA 90 HORIZONTAL Chrome waste cover, hair catcher included. Universally applicable for FR and ESR. Optional accessories: enamelled waste cover for KA 90		4109 687772600999	110.00				
WASTE FITTING KA 90 FLAT Chrome waste cover, hair catcher included. Universally applicable for FR and ESR. Optional accessories: enamelled waste cover for KA 90		4104 687772540999	117.50				
WASTE FITTING KA 90 VERTICAL Chrome waste cover, hair catcher included. Universally applicable for FR and ESR. Optional accessories: enamelled waste cover for KA 90		4110 687772610999	149.50				
WASTE COVER KA 90 in addition to the fittings 4109, 4104, 4110 enamelled enamelled ANTI-SLIP SECURE PLUS		68777259xxxx 687772592xxx		39.50 39.50	78.50	39.50 39.50	
OPTIONAL: KALDEWEI PROFESSIONAL INSTALLATION ●¹			PRICE	(I)	(II), (III)	(IV)	
ESR FLOOR LEVEL INSTALLATION SYSTEM (FOR -1 MODELS) 800 x 750 (actual installation size ESR 828 x 778) 800 x 800 (actual installation size ESR 828 x 828) 900 x 700 (actual installation size ESR 928 x 728)		640000100000 640000110000 640000120000	281.00 281.00 281.00				
SHOWER TRAY FOOT FRAME FR 5300 Size adjustment up to 900 x 900		530000120000	113.50				
OPTIONAL: KALDEWEI PROFESSIONAL WATERPROOF ●¹			PRICE	(I)	(II), (III)	(IV)	
SEALING KIT FLOOR-LEVEL		689720490000	143.50				
SEALING KIT FLEX		689720520000	48.50				
CUT PROTECTION TAPE 4,6M for shower surfaces ≤ 1000 x 1200 mm		689720570000	63.50				
OPTIONAL: KALDEWEI SILENCE PLUS ●¹			PRICE	(I)	(II), (III)	(IV)	
SHOWER TRAY SOUND ABSORBING SET DW-ADS		687675720000	34.50				

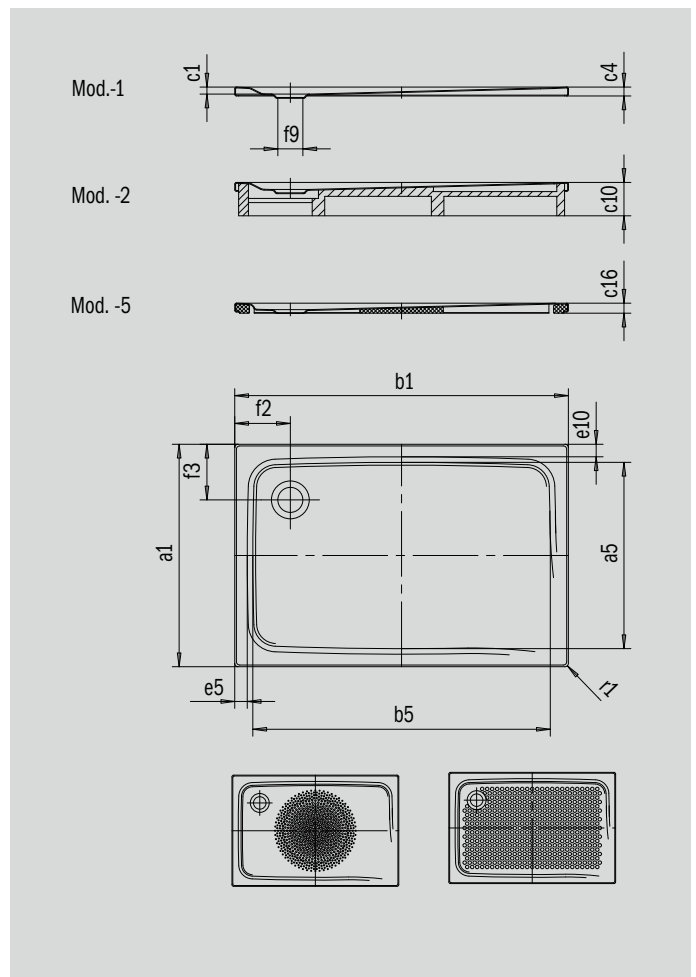
SUPERPLAN

- exclusive, elegant design
- made of KALDEWEI steel enamel
- flush-fitting recessed waste cover (only in combination with the KA 90 waste fittings)



Similar illustration

	Total height			Fitting height		
	387	388	390	387	388	390
Model-1						
KA 90 horizontal	105	105	105	80	80	80
KA 90 flat	85	85	85	60	60	60
KA 90 vertical	49	49	49	80	80	80
Model-2	120	120	120			
Model-5	387	388	390	387	388	390
KA 90 horizontal	105	105	105	80	80	80
KA 90 flat	85	85	85	60	60	60
KA 90 vertical	37	37	37	80	80	80



ANTISLIP
SECURE⁺

Model		387	388	390
External length	a_1	750	800	900 mm
Internal length	a_5	650	700	790 mm
External width	b_1	900	900	900 mm
Internal width	b_5	800	800	790 mm
Depth inside	c_1	25	25	25 mm
Height of rim	c_4	32	32	32 mm
Height with support	c_{10}	120	120	120 mm
Height with low-profile support	c_{16}	37	37	37 mm
Width of rim	e_{10}, e_5	50; 50	50; 50	50; 50 mm
Distance bath edge to centre of waste hole	f_2	200; 200	200; 200	200; 200 mm
Diameter of waste hole	f_9	Ø 90	Ø 90	Ø 90 mm
External radius	r_1	12	12	12 mm
Net weight		18	19	22 kg
Diameter of anti-slip		Ø 435	Ø 435	Ø 435 mm
Full anti-slip		524 x 673	586 x 673	648 x 673 mm
ANTI-SLIP SECURE PLUS		full base	full base	full base

	Drain Hole	Model Order No.	Dimensions mm	Colour price groups			GBP
				Alpine White (I)	Sanitary Colours (II, III)	Coord. Colours (IV)	
SUPERPLAN	Ø 90 mm	387-1 44770001xxxx	900 x 750 x 25	386.00	502.00	426.00	
		388-1 44780001xxxx	900 x 800 x 25	429.00	557.00	473.00	
		390-1 44690001xxxx	900 x 900 x 25	368.00	478.00	406.00	
SUPERPLAN WITH SUPPORT Total height with support: 120 mm	Ø 90 mm	387-2 44774804xxxx	900 x 750 x 25	441.00	574.00	486.00	
		388-2 44784804xxxx	900 x 800 x 25	482.00	627.00	531.00	
		390-2 44694804xxxx	900 x 900 x 25	424.00	551.00	466.00	
SUPERPLAN WITH LOW PROFILE SUPPORT Height with support: 37 mm	Ø 90 mm	387-5 44774798xxxx	900 x 750 x 25	406.00	526.00	447.00	
		388-5 44784798xxxx	900 x 800 x 25	447.00	580.00	492.00	
		390-5 44694798xxxx	900 x 900 x 25	387.00	503.00	427.00	
OPTIONAL: KALDEWEI PERFECTION SURFACE FINISHES			PRICE	(I)	(II), (III)	(IV)	
EXTRA CHARGE FOR EASY-CLEAN FINISH		xxxxxxx3xxx		82.00	82.00	82.00	
ANTI-SLIP SECURE PLUS Standard-compliant slip resistance (Evaluation group B according to DIN 51097, R10 according to DIN 51130). Fired into the enamel – Slip resistant surface over the entire surface, matt finish only . Cannot be combined with easy-clean finish		xxxxxxx2xxx		165.00		165.00	
FULL ANTI-SLIP Fired into the enamel – Slip resistant pattern over almost the entire surface				236.00	236.00		
PARTIAL ANTI-SLIP Fired into the enamel – Slip resistant pattern over part of the surface				117.50	117.50		
OPTIONAL: KALDEWEI PROFESSIONAL INFLOW/OUTFLOW TECHNOLOGY ●¹			PRICE	(I)	(II), (III)	(IV)	
WASTE FITTING KA 90 HORIZONTAL Chrome waste cover, hair catcher included. Universally applicable for FR and ESR. Optional accessories: enamelled waste cover for KA 90		4109 687772600999		110.00			
WASTE FITTING KA 90 FLAT Chrome waste cover, hair catcher included. Universally applicable for FR and ESR. Optional accessories: enamelled waste cover for KA 90		4104 687772540999		117.50			
WASTE FITTING KA 90 VERTICAL Chrome waste cover, hair catcher included. Universally applicable for FR and ESR. Optional accessories: enamelled waste cover for KA 90		4110 687772610999		149.50			
WASTE COVER KA 90 in addition to the fittings 4109, 4104, 4110 enamelled enamelled ANTI-SLIP SECURE PLUS		68777259xxxx 687772592xxx		39.50 39.50	78.50	39.50 39.50	
OPTIONAL: KALDEWEI PROFESSIONAL INSTALLATION ●¹			PRICE	(I)	(II), (III)	(IV)	
ESR FLOOR LEVEL INSTALLATION SYSTEM (FOR -1 MODELS) 900 x 750 (actual installation size ESR 928 x 778) 900 x 800 (actual installation size ESR 928 x 828) 900 x 900 (actual installation size ESR 928 x 928)		640000130000 640000140000 640000150000		281.00 281.00 281.00			
SHOWER TRAY FOOT FRAME FR 5300 Size adjustment up to 900 x 900		530000120000		113.50			
CENTRAL SUPPORT SYSTEM MAS 5305 required for shower trays larger than 900 mm		688076530000		25.50			
OPTIONAL: KALDEWEI PROFESSIONAL WATERPROOF ●¹			PRICE	(I)	(II), (III)	(IV)	
SEALING KIT FLOOR-LEVEL		689720490000		143.50			
SEALING KIT FLEX		689720520000		48.50			
CUT PROTECTION TAPE 4,6M for shower surfaces ≤ 1000 x 1200 mm		689720570000		63.50			
OPTIONAL: KALDEWEI SILENCE PLUS ●¹			PRICE	(I)	(II), (III)	(IV)	
SHOWER TRAY SOUND ABSORBING SET DW-ADS		687675720000		34.50			

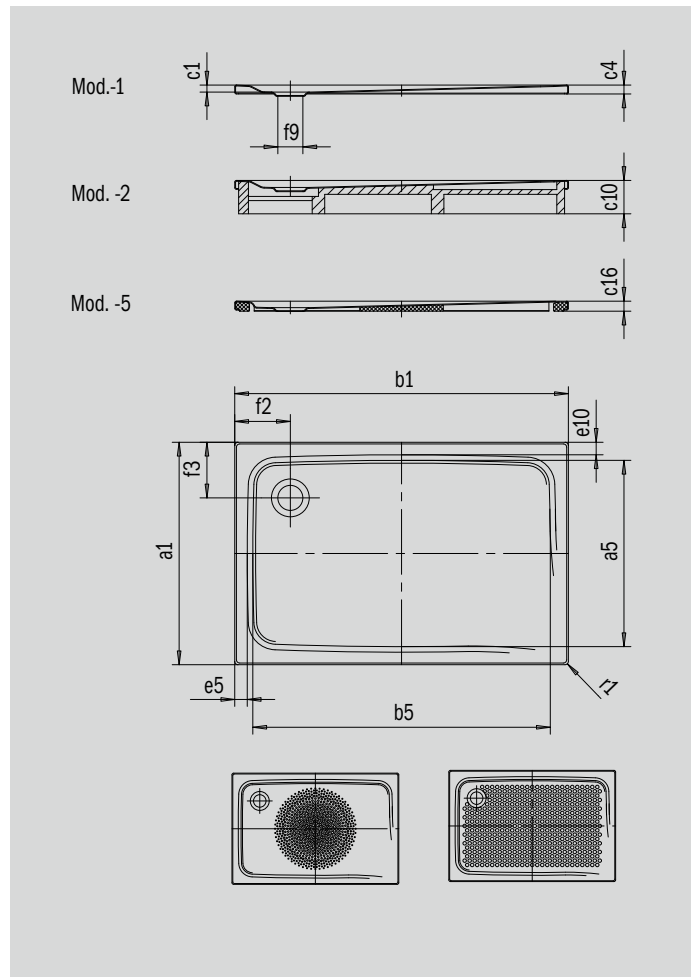
SUPERPLAN

- exclusive, elegant design
- made of KALDEWEI steel enamel
- flush-fitting recessed waste cover (only in combination with the KA 90 waste fittings)



Similar illustration

	Total height			Fitting height		
	398	402	404	398	402	404
Model-1						
KA 90 horizontal	105	105	105	80	80	80
KA 90 flat	85	85	85	60	60	60
KA 90 vertical	49	49	49	80	80	80
Model-2	120	120	120			
Model-5	398	402	404	398	402	404
KA 90 horizontal	105	105	105	80	80	80
KA 90 flat	85	85	85	60	60	60
KA 90 vertical	37	37	37	80	80	80



ANTISLIP
SECURE⁺

Model		402	398	404
External length	a_1	750	800	900 mm
Internal length	a_5	640	700	790 mm
External width	b_1	1000	1000	1000 mm
Internal width	b_5	890	900	890 mm
Depth inside	c_1	25	25	25 mm
Height of rim	c_4	32	32	32 mm
Height with support	c_{10}	120	120	120 mm
Height with low-profile support	c_{16}	37	37	37 mm
Width of rim	e_{10}, e_5	50; 50	50; 50	50; 50 mm
Diameter of waste hole	f_9	Ø 90	Ø 90	Ø 90 mm
Distance bath edge to centre of waste hole	f_2, f_3	200; 200	200; 200	200; 200 mm
External radius	r_1	12	12	12 mm
Net weight		20	22	24 kg
Diameter of anti-slip		Ø 435	Ø 435	Ø 588 mm
Full anti-slip		524 x 781	586 x 781	649 x 781 mm
ANTI-SLIP SECURE PLUS		full base	full base	full base

Subject to technical alterations, tolerances and errors. Similar illustration.

KALDEWEI

	Drain Hole	Model Order No.	Dimensions mm	Colour price groups			GBP
				Alpine White (I)	Sanitary Colours (II, III)	Coord. Colours (IV)	
SUPERPLAN	Ø 90 mm	402-1 43020001xxxx	1000 x 750 x 25	513.00	668.00	565.00	
		398-1 44720001xxxx	1000 x 800 x 25	501.00	651.00	551.00	
		404-1 43040001xxxx	1000 x 900 x 25	501.00	651.00	551.00	
SUPERPLAN WITH SUPPORT Total height with support: 120 mm	Ø 90 mm	402-2 43024804xxxx	1000 x 750 x 25	568.00	737.00	625.00	
		398-2 44724804xxxx	1000 x 800 x 25	556.00	721.00	611.00	
		404-2 43044804xxxx	1000 x 900 x 25	556.00	721.00	611.00	
SUPERPLAN WITH LOW PROFILE SUPPORT Height with support: 37 mm	Ø 90 mm	402-5 43024798xxxx	1000 x 750 x 25	532.00	691.00	585.00	
		398-5 44724798xxxx	1000 x 800 x 25	519.00	675.00	570.00	
		404-5 43044798xxxx	1000 x 900 x 25	519.00	675.00	570.00	
OPTIONAL: KALDEWEI PERFECTION SURFACE FINISHES			PRICE	(I)	(II), (III)	(IV)	
EXTRA CHARGE FOR EASY-CLEAN FINISH		xxxxxxx3xxx		82.00	82.00	82.00	
ANTI-SLIP SECURE PLUS Standard-compliant slip resistance (Evaluation group B according to DIN 51097, R10 according to DIN 51130). Fired into the enamel – Slip resistant surface over the entire surface, matt finish only . Cannot be combined with easy-clean finish		xxxxxxx2xxx		165.00		165.00	
FULL ANTI-SLIP Fired into the enamel – Slip resistant pattern over almost the entire surface				236.00	236.00		
PARTIAL ANTI-SLIP Fired into the enamel – Slip resistant pattern over part of the surface				117.50	117.50		
OPTIONAL: KALDEWEI PROFESSIONAL INFLOW/OUTFLOW TECHNOLOGY ●¹			PRICE	(I)	(II), (III)	(IV)	
WASTE FITTING KA 90 HORIZONTAL Chrome waste cover, hair catcher included. Universally applicable for FR and ESR. Optional accessories: enamelled waste cover for KA 90		4109 687772600999	110.00				
WASTE FITTING KA 90 FLAT Chrome waste cover, hair catcher included. Universally applicable for FR and ESR. Optional accessories: enamelled waste cover for KA 90		4104 687772540999	117.50				
WASTE FITTING KA 90 VERTICAL Chrome waste cover, hair catcher included. Universally applicable for FR and ESR. Optional accessories: enamelled waste cover for KA 90		4110 687772610999	149.50				
WASTE COVER KA 90 in addition to the fittings 4109, 4104, 4110 enamelled enamelled ANTI-SLIP SECURE PLUS		68777259xxxx 687772592xxx		39.50 39.50	78.50	39.50 39.50	
OPTIONAL: KALDEWEI PROFESSIONAL INSTALLATION ●¹			PRICE	(I)	(II), (III)	(IV)	
ESR FLOOR LEVEL INSTALLATION SYSTEM (FOR -1 MODELS) 1000 x 750 (actual installation size ESR 1028 x 778) 1000 x 800 (actual installation size ESR 1028 x 828) 1000 x 900 (actual installation size ESR 1028 x 928)		640000160000 640000170000 640000180000	281.00 281.00 281.00				
SHOWER TRAY FOOT FRAME FR 5300 Size adjustment up to 1200 x 1200		530000130000	124.50				
CENTRAL SUPPORT SYSTEM MAS 5305 required for shower trays larger than 900 mm		688076530000	25.50				
OPTIONAL: KALDEWEI PROFESSIONAL WATERPROOF ●¹			PRICE	(I)	(II), (III)	(IV)	
SEALING KIT FLOOR-LEVEL		689720490000	143.50				
SEALING KIT FLEX		689720520000	48.50				
CUT PROTECTION TAPE 4,6M for shower surfaces ≤ 1000 x 1200 mm		689720570000	63.50				
OPTIONAL: KALDEWEI SILENCE PLUS ●¹			PRICE	(I)	(II), (III)	(IV)	
SHOWER TRAY SOUND ABSORBING SET DW-ADS		687675720000	34.50				



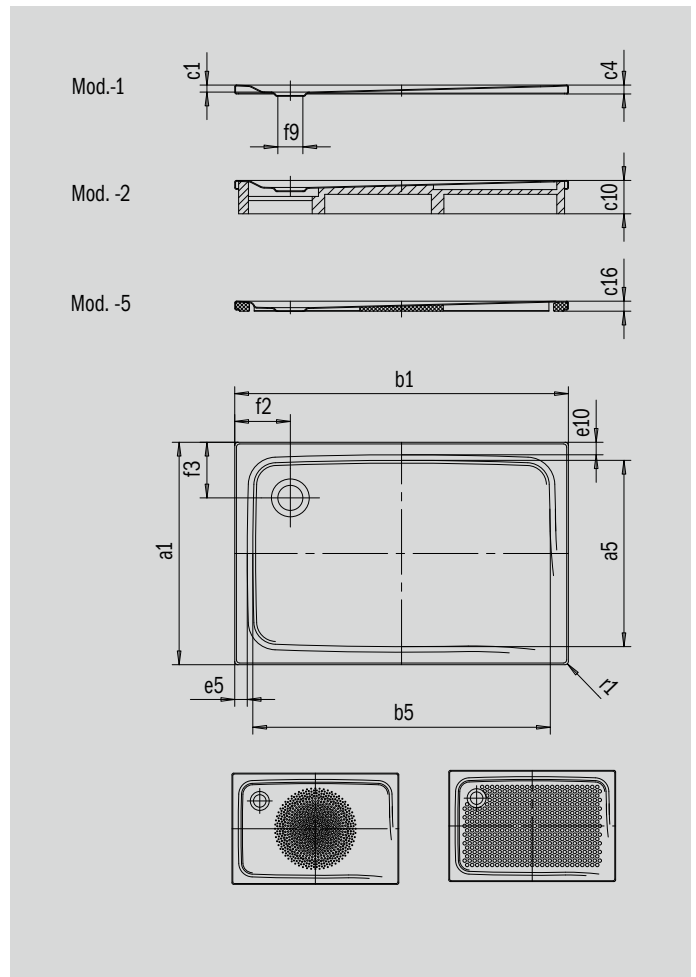
SUPERPLAN

- exclusive, elegant design
- made of KALDEWEI steel enamel
- flush-fitting recessed waste cover (only in combination with the KA 90 waste fittings)



Similar illustration

	Total height			Fitting height		
	391	401	405	391	401	405
Model-1						
KA 90 horizontal	105	105	105	80	80	80
KA 90 flat	85	85	85	60	60	60
KA 90 vertical	49	49	49	80	80	80
Model-2	120	120	120			
Model-5	391	401	405	391	401	405
KA 90 horizontal	105	105	105	80	80	80
KA 90 flat	85	85	85	60	60	60
KA 90 vertical	37	37	37	80	80	80



ANTISLIP
SECURE⁺

Model		391	405	401
External length	a_1	1000	900	700 mm
Internal length	a_5	870	790	590 mm
External width	b_1	1000	1100	1200 mm
Internal width	b_5	870	990	1090 mm
Depth inside	c_1	25	25	25 mm
Height of rim	c_4	32	32	32 mm
Height with support	c_{10}	120	120	120 mm
Height with low-profile support	c_{16}	37	37	37 mm
Width of rim	e_{10}, e_5	50; 50	50; 50	50; 50 mm
Diameter of waste hole	f_9	Ø 90	Ø 90	Ø 90 mm
Distance bath edge to centre of waste hole	f_2, f_3	200; 200	200; 200	200; 200 mm
External radius	r_1	12	12	12 mm
Net weight		28	25	23 kg
Diameter of anti-slip		Ø 588	Ø 588	Ø 435 mm
Full anti-slip		733 x 781	649 x 853	461 x 997 mm
ANTI-SLIP SECURE PLUS		full base	full base	full base

Subject to technical alterations, tolerances and errors. Similar illustration.

KALDEWEI

	Drain Hole	Model Order No.	Dimensions mm	Colour price groups			GBP
				Alpine White (I)	Sanitary Colours (II, III)	Coord. Colours (IV)	
SUPERPLAN	Ø 90 mm	391-1 44700001xxxx	1000 x 1000 x 25	488.00	634.00	536.00	
		405-1 43050001xxxx	1100 x 900 x 25	576.00	748.00	634.00	
		401-1 43010001xxxx	1200 x 700 x 25	594.00	771.00	653.00	
SUPERPLAN WITH SUPPORT Total height with support: 120 mm	Ø 90 mm	391-2 44704804xxxx	1000 x 1000 x 25	542.00	702.00	596.00	
		405-2 43054804xxxx	1100 x 900 x 25	630.00	819.00	693.00	
		401-2 43014804xxxx	1200 x 700 x 25	648.00	842.00	713.00	
SUPERPLAN WITH LOW PROFILE SUPPORT Height with support: 37 mm	Ø 90 mm	391-5 44704798xxxx	1000 x 1000 x 25	507.00	660.00	559.00	
		405-5 43054798xxxx	1100 x 900 x 25	594.00	771.00	653.00	
		401-5 43014798xxxx	1200 x 700 x 25	611.00	794.00	674.00	
OPTIONAL: KALDEWEI PERFECTION SURFACE FINISHES			PRICE	(I)	(II), (III)	(IV)	
EXTRA CHARGE FOR EASY-CLEAN FINISH		xxxxxxx3xxx		82.00	82.00	82.00	
ANTI-SLIP SECURE PLUS Standard-compliant slip resistance (Evaluation group B according to DIN 51097, R10 according to DIN 51130). Fired into the enamel – Slip resistant surface over the entire surface, matt finish only . Cannot be combined with easy-clean finish		xxxxxxx2xxx		165.00		165.00	
FULL ANTI-SLIP Fired into the enamel – Slip resistant pattern over almost the entire surface				236.00	236.00		
PARTIAL ANTI-SLIP Fired into the enamel – Slip resistant pattern over part of the surface				117.50	117.50		
OPTIONAL: KALDEWEI PROFESSIONAL INFLOW/OUTFLOW TECHNOLOGY ●¹			PRICE	(I)	(II), (III)	(IV)	
WASTE FITTING KA 90 HORIZONTAL Chrome waste cover, hair catcher included. Universally applicable for FR and ESR. Optional accessories: enamelled waste cover for KA 90		4109 687772600999	110.00				
WASTE FITTING KA 90 FLAT Chrome waste cover, hair catcher included. Universally applicable for FR and ESR. Optional accessories: enamelled waste cover for KA 90		4104 687772540999	117.50				
WASTE FITTING KA 90 VERTICAL Chrome waste cover, hair catcher included. Universally applicable for FR and ESR. Optional accessories: enamelled waste cover for KA 90		4110 687772610999	149.50				
WASTE COVER KA 90 in addition to the fittings 4109, 4104, 4110 enamelled enamelled ANTI-SLIP SECURE PLUS		68777259xxxx 687772592xxx		39.50 39.50	78.50	39.50 39.50	
OPTIONAL: KALDEWEI PROFESSIONAL INSTALLATION ●¹			PRICE	(I)	(II), (III)	(IV)	
ESR FLOOR LEVEL INSTALLATION SYSTEM (FOR -1 MODELS) 1000 x 1000 (actual installation size ESR 1028 x 1028) 1100 x 900 (actual installation size ESR 1128 x 928) 1200 x 700 (actual installation size ESR 1228 x 728)		640000190000 640000210000 640000220000	281.00 281.00 310.00				
SHOWER TRAY FOOT FRAME FR 5300 Size adjustment up to 1200 x 1200		530000130000	124.50				
CENTRAL SUPPORT SYSTEM MAS 5305 required for shower trays larger than 900 mm		688076530000	25.50				
OPTIONAL: KALDEWEI PROFESSIONAL WATERPROOF ●¹			PRICE	(I)	(II), (III)	(IV)	
SEALING KIT FLOOR-LEVEL		689720490000	143.50				
SEALING KIT FLEX		689720520000	48.50				
CUT PROTECTION TAPE 4,6M for shower surfaces ≤ 1000 x 1200 mm		689720570000	63.50				
CUT PROTECTION TAPE 6,6M for shower surfaces > 1000 x 1200 mm		689720580000	91.50				
OPTIONAL: KALDEWEI SILENCE PLUS ●¹			PRICE	(I)	(II), (III)	(IV)	
SHOWER TRAY SOUND ABSORBING SET DW-ADS		687675720000	34.50				

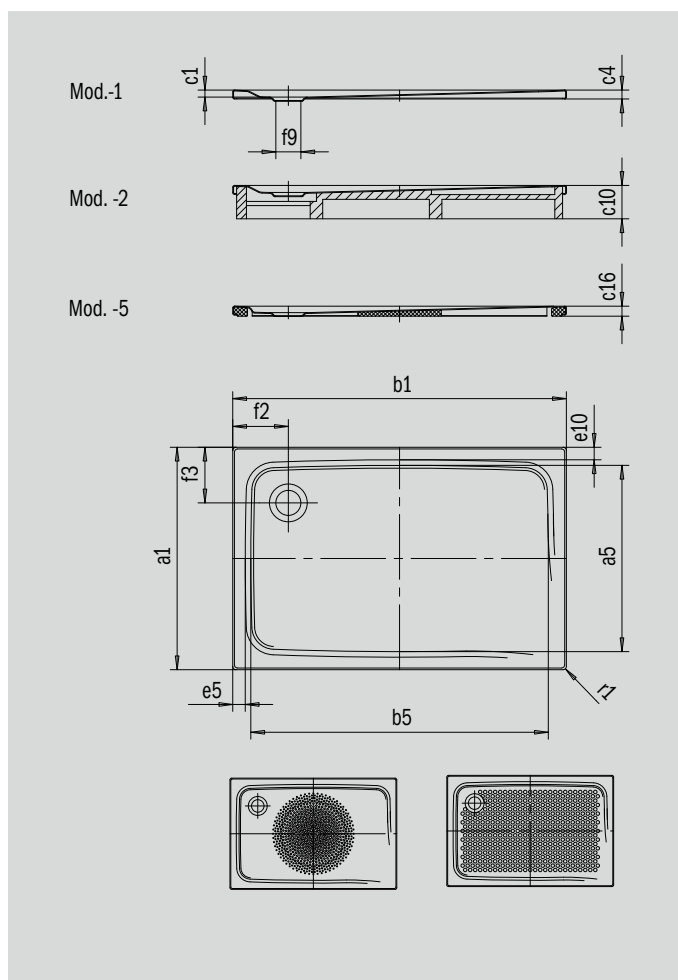
SUPERPLAN

- exclusive, elegant design
- made of KALDEWEI steel enamel
- flush-fitting recessed waste cover (only in combination with the KA 90 waste fittings)



Similar illustration

	Total height			Fitting height		
	389	403	406	389	403	406
Model-1						
KA 90 horizontal	105	105	105	80	80	80
KA 90 flat	85	85	85	60	60	60
KA 90 vertical	49	49	49	80	80	80
Model-2	120	120	120			
Model-5	389	403	406	389	403	406
KA 90 horizontal	105	105	105	80	80	80
KA 90 flat	85	85	85	60	60	60
KA 90 vertical	37	37	37	80	80	80



ANTISLIP
SECURE⁺

Model		403	389	406
External length	a_1	750	800	900 mm
Internal length	a_5	640	700	790 mm
External width	b_1	1200	1200	1200 mm
Internal width	b_5	1090	1100	1090 mm
Depth inside	c_1	25	25	25 mm
Height of rim	c_4	32	32	32 mm
Height with support	c_{10}	120	120	120 mm
Height with low-profile support	c_{16}	37	37	37 mm
Width of rim	e_{10}, e_5	75; 50	50; 50	50; 50 mm
Diameter of waste hole	f_9	Ø 90	Ø 90	Ø 90 mm
Distance bath edge to centre of waste hole	f_2, f_3	200; 225	200; 200	200; 200 mm
External radius	r_1	12	12	12 mm
Net weight		24	25	29 kg
Diameter of anti-slip		Ø 435	Ø 588	Ø 588 mm
Full anti-slip		524 x 997	586 x 996	649 x 997 mm
ANTI-SLIP SECURE PLUS		full base	full base	full base

Subject to technical alterations, tolerances and errors. Similar illustration.

KALDEWEI



	Drain Hole	Model Order No.	Dimensions mm	Colour price groups			GBP
				Alpine White (I)	Sanitary Colours (II, III)	Coord. Colours (IV)	
SUPERPLAN	Ø 90 mm	403-1 43030001xxxx	1200 x 750 x 25	594.00	771.00	653.00	
		389-1 44730001xxxx	1200 x 800 x 25	576.00	748.00	634.00	
		406-1 43060001xxxx	1200 x 900 x 25	576.00	748.00	634.00	
SUPERPLAN WITH SUPPORT Total height with support: 120 mm	Ø 90 mm	403-2 43034804xxxx	1200 x 750 x 25	648.00	842.00	713.00	
		389-2 44734804xxxx	1200 x 800 x 25	630.00	819.00	693.00	
		406-2 43064804xxxx	1200 x 900 x 25	630.00	819.00	693.00	
SUPERPLAN WITH LOW PROFILE SUPPORT Height with support: 37 mm	Ø 90 mm	403-5 43034798xxxx	1200 x 750 x 25	611.00	794.00	674.00	
		389-5 44734798xxxx	1200 x 800 x 25	594.00	771.00	653.00	
		406-5 43064798xxxx	1200 x 900 x 25	594.00	771.00	653.00	
OPTIONAL: KALDEWEI PERFECTION SURFACE FINISHES			PRICE	(I)	(II), (III)	(IV)	
EXTRA CHARGE FOR EASY-CLEAN FINISH		xxxxxxx3xxx		82.00	82.00	82.00	
ANTI-SLIP SECURE PLUS Standard-compliant slip resistance (Evaluation group B according to DIN 51097, R10 according to DIN 51130). Fired into the enamel – Slip resistant surface over the entire surface, matt finish only . Cannot be combined with easy-clean finish		xxxxxxx2xxx		165.00		165.00	
FULL ANTI-SLIP Fired into the enamel – Slip resistant pattern over almost the entire surface				236.00	236.00		
PARTIAL ANTI-SLIP Fired into the enamel – Slip resistant pattern over part of the surface				117.50	117.50		
OPTIONAL: KALDEWEI PROFESSIONAL INFLOW/OUTFLOW TECHNOLOGY ●¹			PRICE	(I)	(II), (III)	(IV)	
WASTE FITTING KA 90 HORIZONTAL Chrome waste cover, hair catcher included. Universally applicable for FR and ESR. Optional accessories: enamelled waste cover for KA 90		4109 687772600999	110.00				
WASTE FITTING KA 90 FLAT Chrome waste cover, hair catcher included. Universally applicable for FR and ESR. Optional accessories: enamelled waste cover for KA 90		4104 687772540999	117.50				
WASTE FITTING KA 90 VERTICAL Chrome waste cover, hair catcher included. Universally applicable for FR and ESR. Optional accessories: enamelled waste cover for KA 90		4110 687772610999	149.50				
WASTE COVER KA 90 in addition to the fittings 4109, 4104, 4110 enamelled enamelled ANTI-SLIP SECURE PLUS		68777259xxxx 687772592xxx		39.50 39.50	78.50	39.50 39.50	
OPTIONAL: KALDEWEI PROFESSIONAL INSTALLATION ●¹			PRICE	(I)	(II), (III)	(IV)	
ESR FLOOR LEVEL INSTALLATION SYSTEM (FOR -1 MODELS) 1200 x 750 (actual installation size ESR 1228 x 778) 1200 x 800 (actual installation size ESR 1228 x 828) 1200 x 900 (actual installation size ESR 1228 x 928)		640000230000 640000240000 640000250000	310.00 310.00 310.00				
SHOWER TRAY FOOT FRAME FR 5300 Size adjustment up to 1200 x 1200		530000130000	124.50				
CENTRAL SUPPORT SYSTEM MAS 5305 required for shower trays larger than 900 mm		688076530000	25.50				
OPTIONAL: KALDEWEI PROFESSIONAL WATERPROOF ●¹			PRICE	(I)	(II), (III)	(IV)	
SEALING KIT FLOOR-LEVEL		689720490000	143.50				
SEALING KIT FLEX		689720520000	48.50				
CUT PROTECTION TAPE 6,6M for shower surfaces > 1000 x 1200 mm		689720580000	91.50				
OPTIONAL: KALDEWEI SILENCE PLUS ●¹			PRICE	(I)	(II), (III)	(IV)	
SHOWER TRAY SOUND ABSORBING SET DW-ADS		687675720000	34.50				



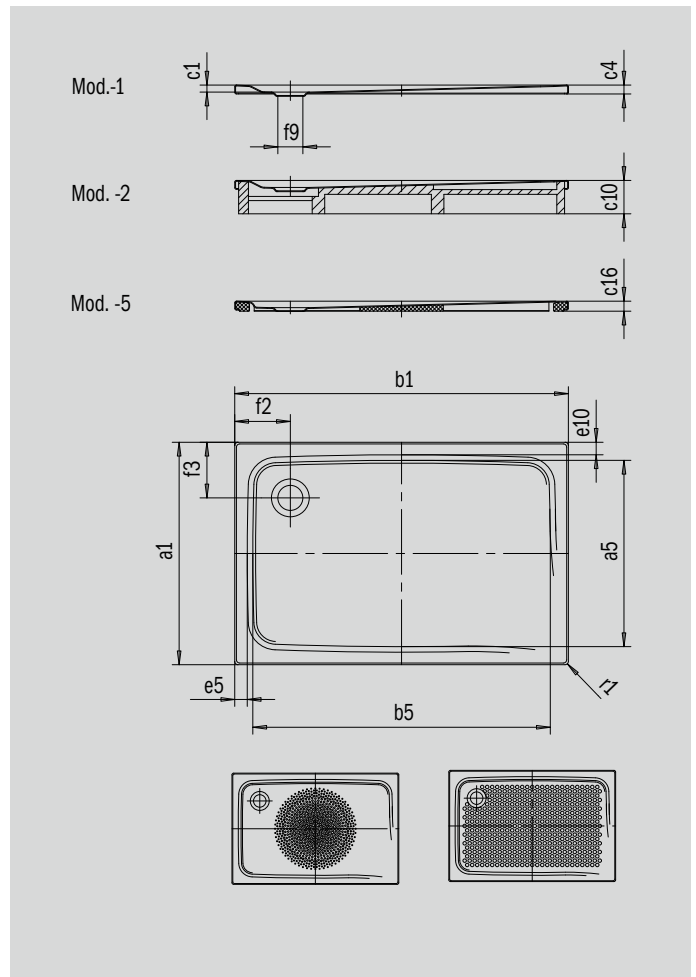
SUPERPLAN

- exclusive, elegant design
- made of KALDEWEI steel enamel
- flush-fitting recessed waste cover (only in combination with the KA 90 waste fittings)



Similar illustration

	Total height		Fitting height	
	399	407	399	407
Model-1				
KA 90 horizontal	105	105	80	80
KA 90 flat	85	85	60	60
KA 90 vertical	49	49	80	80
Model-2				
KA 90 horizontal	105	105	80	80
KA 90 flat	85	85	60	60
KA 90 vertical	37	37	80	80



ANTISLIP
SECURE⁺

Model		407	399
External length	a_1	1000	1200 mm
Internal length	a_5	890	1070 mm
External width	b_1	1200	1200 mm
Internal width	b_5	1090	1070 mm
Depth inside	c_1	25	25 mm
Height of rim	c_4	32	32 mm
Height with support	c_{10}	120	120 mm
Height with low-profile support	c_{16}	37	37 mm
Width of rim	e_{10}, e_5	50; 50	50; 50 mm
Diameter of waste hole	f_9	Ø 90	Ø 90 mm
Distance bath edge to centre of waste hole	f_2, f_3	200; 200	200; 200 mm
External radius	r_1	12	12 mm
Net weight		31	37 kg
Diameter of anti-slip		Ø 588	Ø 588 mm
Full anti-slip		773 x 997	1060 x 1105 mm
ANTI-SLIP SECURE PLUS		full base	full base

	Drain Hole	Model Order No.	Dimensions mm	Colour price groups			GBP
				Alpine White (I)	Sanitary Colours (II, III)	Coord. Colours (IV)	
SUPERPLAN	Ø 90 mm	407-1 43070001xxxx	1200 x 1000 x 25	576.00	748.00	634.00	
		399-1 44710001xxxx	1200 x 1200 x 25	558.00	725.00	615.00	
SUPERPLAN WITH SUPPORT Total height with support: 120 mm	Ø 90 mm	407-2 43074804xxxx	1200 x 1000 x 25	630.00	819.00	693.00	
		399-2 44714804xxxx	1200 x 1200 x 25	613.00	796.00	674.00	
SUPERPLAN WITH LOW PROFILE SUPPORT Height with support: 37 mm	Ø 90 mm	407-5 43074798xxxx	1200 x 1000 x 25	594.00	771.00	653.00	
		399-5 44714798xxxx	1200 x 1200 x 25	576.00	748.00	634.00	
OPTIONAL: KALDEWEI PERFECTION SURFACE FINISHES			PRICE	(I)	(II), (III)	(IV)	
EXTRA CHARGE FOR EASY-CLEAN FINISH		xxxxxxx3xxx		82.00	82.00	82.00	
ANTI-SLIP SECURE PLUS Standard-compliant slip resistance (Evaluation group B according to DIN 51097, R10 according to DIN 51130). Fired into the enamel – Slip resistant surface over the entire surface, matt finish only . Cannot be combined with easy-clean finish		xxxxxxx2xxx		165.00		165.00	
FULL ANTI-SLIP Fired into the enamel – Slip resistant pattern over almost the entire surface				236.00	236.00		
PARTIAL ANTI-SLIP Fired into the enamel – Slip resistant pattern over part of the surface				117.50	117.50		
OPTIONAL: KALDEWEI PROFESSIONAL INFLOW/OUTFLOW TECHNOLOGY ●¹			PRICE	(I)	(II), (III)	(IV)	
WASTE FITTING KA 90 HORIZONTAL Chrome waste cover, hair catcher included. Universally applicable for FR and ESR. Optional accessories: enamelled waste cover for KA 90		4109 687772600999	110.00				
WASTE FITTING KA 90 FLAT Chrome waste cover, hair catcher included. Universally applicable for FR and ESR. Optional accessories: enamelled waste cover for KA 90		4104 687772540999	117.50				
WASTE FITTING KA 90 VERTICAL Chrome waste cover, hair catcher included. Universally applicable for FR and ESR. Optional accessories: enamelled waste cover for KA 90		4110 687772610999	149.50				
WASTE COVER KA 90 in addition to the fittings 4109, 4104, 4110 enamelled enamelled ANTI-SLIP SECURE PLUS		68777259xxxx 687772592xxx		39.50 39.50	78.50	39.50 39.50	
OPTIONAL: KALDEWEI PROFESSIONAL INSTALLATION ●¹			PRICE	(I)	(II), (III)	(IV)	
ESR FLOOR LEVEL INSTALLATION SYSTEM (FOR -1 MODELS) 1200 x 1000 (actual installation size ESR 1228 x 1028) 1200 x 1200 (actual installation size ESR 1228 x 1228)		640000270000 640000280000	310.00 310.00				
SHOWER TRAY FOOT FRAME FR 5300 Size adjustment up to 1200 x 1200		530000130000	124.50				
CENTRAL SUPPORT SYSTEM MAS 5305 required for shower trays larger than 900 mm		688076530000	25.50				
OPTIONAL: KALDEWEI PROFESSIONAL WATERPROOF ●¹			PRICE	(I)	(II), (III)	(IV)	
SEALING KIT FLOOR-LEVEL		689720490000	143.50				
SEALING KIT FLEX		689720520000	48.50				
CUT PROTECTION TAPE 6,6M for shower surfaces > 1000 x 1200 mm		689720580000	91.50				
OPTIONAL: KALDEWEI SILENCE PLUS ●¹			PRICE	(I)	(II), (III)	(IV)	
SHOWER TRAY SOUND ABSORBING SET DW-ADS		687675720000	34.50				

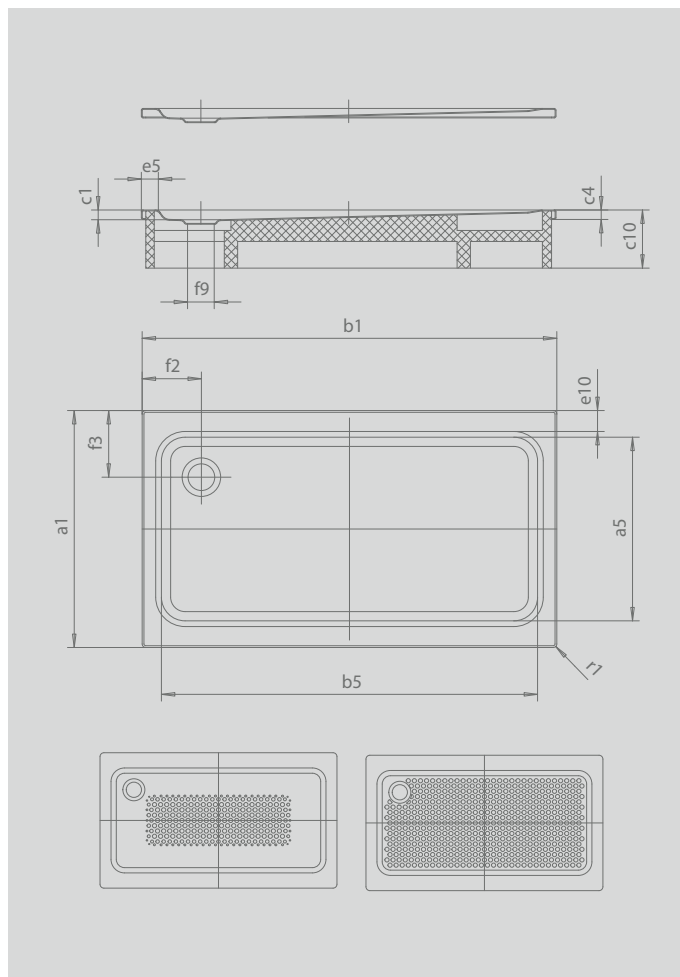
SUPERPLAN

- exclusive, elegant design
- made of KALDEWEI steel enamel
- flush-fitting recessed waste cover (only in combination with the KA 90 waste fittings)



Similar illustration

Model-1	Total height				Fitting height			
	408	410	438	446	408	410	438	446
KA 90 horizontal	119	120	105	120	80	80	80	80
KA 90 flat	99	100	85	100	60	60	60	60
KA 90 vertical	49	49	49	49	80	80	80	80
Model-2	135	135	120	135				



ANTISLIP
SECURE⁺

Model		438	408	410	446
External length	a_1	900	700	750	800 mm
Internal length	a_5	790	590	640	640 mm
External width	b_1	1300	1400	1400	1400 mm
Internal width	b_5	1090	1290	1300	1300 mm
Depth inside	c_1	25	39	40	40 mm
Height of rim	c_4	32	32	32	32 mm
Height with support	c_{10}	120	135	135	135 mm
Width of rim	e_{10}, e_5	50; 100	50; 50	50; 50	75; 50 mm
Diameter of waste hole	f_9	Ø 90	Ø 90	Ø 90	Ø 90 mm
Distance bath edge to centre of waste hole	f_{21}, f_3	250; 200	200; 200	200; 200	200; 225 mm
External radius	r_1	12	12	12	12 mm
Net weight		29	26	28	27 kg
Anti-slip		300 x 856	300 x 856	300 x 856	300 x 856 mm
Full anti-slip		649 x 997	461 x 1177	524 x 1177	524 x 1177 mm
ANTI-SLIP SECURE PLUS		full base	full base	full base	full base

Subject to technical alterations, tolerances and errors. Similar illustration.

KALDEWEI

	Drain Hole	Model Order No.	Dimensions mm	Colour price groups			GBP
				Alpine White (I)	Sanitary Colours (II, III)	Coord. Colours (IV)	
SUPERPLAN	Ø 90 mm	438-1 43380001xxxx	1300 x 900 x 25	594.00	771.00	653.00	
		408-1 43080001xxxx	1400 x 700 x 39	594.00	771.00	653.00	
		410-1 43100001xxxx	1400 x 750 x 40	594.00	771.00	653.00	
		446-1 43530001xxxx	1400 x 800 x 40	594.00	771.00	653.00	
SUPERPLAN WITH SUPPORT Total height incl. support: 135 mm	Ø 90 mm	438-2 43384804xxxx	1300 x 900 x 25	670.00	869.00	736.00	
		408-2 43084804xxxx	1400 x 700 x 39	670.00	869.00	736.00	
		410-2 43104804xxxx	1400 x 750 x 40	670.00	869.00	736.00	
		446-2 43534804xxxx	1400 x 800 x 40	670.00	869.00	736.00	
OPTIONAL: KALDEWEI PERFECTION SURFACE FINISHES			PRICE	(I)	(II), (III)	(IV)	
EXTRA CHARGE FOR EASY-CLEAN FINISH		xxxxxxx3xxx		82.00	82.00	82.00	
ANTI-SLIP SECURE PLUS Standard-compliant slip resistance (Evaluation group B according to DIN 51097, R10 according to DIN 51130). Fired into the enamel – Slip resistant surface over the entire surface, matt finish only . Cannot be combined with easy-clean finish		xxxxxxx2xxx		165.00		165.00	
FULL ANTI-SLIP Fired into the enamel – Slip resistant pattern over almost the entire surface				236.00	236.00		
PARTIAL ANTI-SLIP Fired into the enamel – Slip resistant pattern over part of the surface				117.50	117.50		
OPTIONAL: KALDEWEI PROFESSIONAL INFLOW/OUTFLOW TECHNOLOGY ●¹			PRICE	(I)	(II), (III)	(IV)	
WASTE FITTING KA 90 HORIZONTAL Chrome waste cover, hair catcher included. Universally applicable for FR and ESR. Optional accessories: enamelled waste cover for KA 90		4109 68777260999	110.00				
WASTE FITTING KA 90 FLAT Chrome waste cover, hair catcher included. Universally applicable for FR and ESR. Optional accessories: enamelled waste cover for KA 90		4104 687772540999	117.50				
WASTE FITTING KA 90 VERTICAL Chrome waste cover, hair catcher included. Universally applicable for FR and ESR. Optional accessories: enamelled waste cover for KA 90		4110 687772610999	149.50				
WASTE COVER KA 90 in addition to the fittings 4109, 4104, 4110 enamelled enamelled ANTI-SLIP SECURE PLUS		68777259xxxx 687772592xxx		39.50 39.50	78.50	39.50 39.50	
OPTIONAL: KALDEWEI PROFESSIONAL INSTALLATION ●¹			PRICE	(I)	(II), (III)	(IV)	
ESR FLOOR LEVEL INSTALLATION SYSTEM (FOR -1 MODELS) 1300 x 900 (actual installation size ESR 1328 x 928) 1400 x 700 (actual installation size ESR 1428 x 728) 1400 x 750 (actual installation size ESR 1428 x 778) 1400 x 800 (actual installation size ESR 1428 x 828)		640000300000 640000320000 640000330000 640000340000	370.00 370.00 370.00 370.00				
SHOWER TRAY FOOT FRAME FR 5300 Size adjustment up to 1800 x 1500		530000140000	177.00				
CENTRAL SUPPORT SYSTEM MAS 5305 required for shower trays larger than 900 mm		688076530000	25.50				
OPTIONAL: KALDEWEI PROFESSIONAL WATERPROOF ●¹			PRICE	(I)	(II), (III)	(IV)	
SEALING KIT FLOOR-LEVEL		689720490000	143.50				
SEALING KIT FLEX		689720520000	48.50				
CUT PROTECTION TAPE 6,6M for shower surfaces > 1000 x 1200 mm		689720580000	91.50				
OPTIONAL: KALDEWEI SILENCE PLUS ●¹			PRICE	(I)	(II), (III)	(IV)	
SHOWER TRAY SOUND ABSORBING SET DW-ADS		687675720000	34.50				

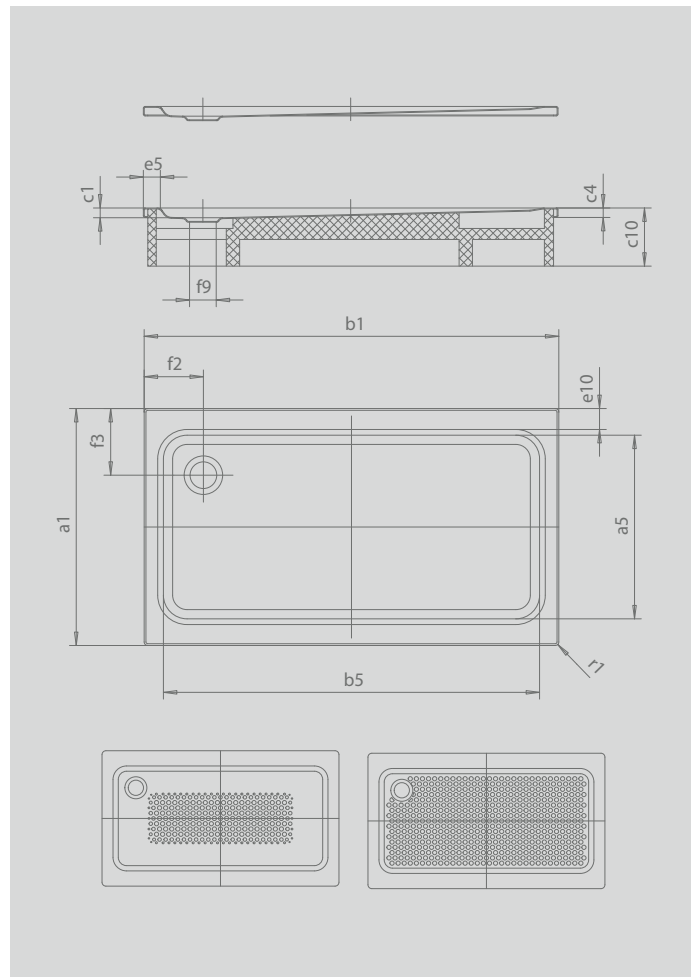
SUPERPLAN

- exclusive, elegant design
- made of KALDEWEI steel enamel
- flush-fitting recessed waste cover (only in combination with the KA 90 waste fittings)



Similar illustration

Model-1	Total height				Fitting height			
	412	429	433	435	412	429	433	435
KA 90 horizontal	123	123	119	120	80	80	80	80
KA 90 flat	103	103	99	100	60	60	60	60
KA 90 vertical	49	49	49	49	80	80	80	80
Model-2	135	135	135	135				



ANTISLIP
SECURE

Model		429	412	433	435
External length	a_1	900	1000	700	750 mm
Internal length	a_5	790	890	590	650 mm
External width	b_1	1400	1400	1500	1500 mm
Internal width	b_5	1290	1290	1290	1290 mm
Depth inside	c_1	43	43	39	40 mm
Height of rim	c_4	32	32	32	32 mm
Height with support	c_{10}	135	135	135	135 mm
Width of rim	e_{10}, e_5	50; 50	50; 50	50; 100	50; 100 mm
Diameter of waste hole	f_9	Ø 90	Ø 90	Ø 90	Ø 90 mm
Distance bath edge to centre of waste hole	f_2, f_3	200; 200	200; 200	250; 200	250; 200 mm
External radius	r_1	12	12	12	12 mm
Net weight		34	36	27	31 kg
Anti-slip		549 x 856	549 x 856	300 x 856	300 x 856 mm
Full anti-slip		649 x 1177	773 x 1177	461 x 1177	524 x 1177 mm
ANTI-SLIP SECURE PLUS		full base	full base	full base	full base

Subject to technical alterations, tolerances and errors. Similar illustration.

KALDEWEI

	Drain Hole	Model Order No.	Dimensions mm	Colour price groups			GBP
				Alpine White (I)	Sanitary Colours (II, III)	Coord. Colours (IV)	
SUPERPLAN	Ø 90 mm	429-1 43290001xxxx	1400 x 900 x 43	594.00	771.00	653.00	
		412-1 43120001xxxx	1400 x 1000 x 43	600.00	779.00	661.00	
		433-1 43330001xxxx	1500 x 700 x 39	594.00	771.00	653.00	
		435-1 43350001xxxx	1500 x 750 x 40	594.00	771.00	653.00	
SUPERPLAN WITH SUPPORT Total height incl. support: 135 mm	Ø 90 mm	429-2 43294804xxxx	1400 x 900 x 43	670.00	869.00	736.00	
		412-2 43124804xxxx	1400 x 1000 x 43	675.00	879.00	744.00	
		433-2 43334804xxxx	1500 x 700 x 39	670.00	869.00	736.00	
		435-2 43354804xxxx	1500 x 750 x 40	670.00	869.00	736.00	
OPTIONAL: KALDEWEI PERFECTION SURFACE FINISHES			PRICE	(I)	(II), (III)	(IV)	
EXTRA CHARGE FOR EASY-CLEAN FINISH		xxxxxxx3xxx		82.00	82.00	82.00	
ANTI-SLIP SECURE PLUS Standard-compliant slip resistance (Evaluation group B according to DIN 51097, R10 according to DIN 51130). Fired into the enamel - Slip resistant surface over the entire surface, matt finish only . Cannot be combined with easy-clean finish		xxxxxxx2xxx		165.00		165.00	
FULL ANTI-SLIP Fired into the enamel - Slip resistant pattern over almost the entire surface				236.00	236.00		
PARTIAL ANTI-SLIP Fired into the enamel - Slip resistant pattern over part of the surface				117.50	117.50		
OPTIONAL: KALDEWEI PROFESSIONAL INFLOW/OUTFLOW TECHNOLOGY ●¹			PRICE	(I)	(II), (III)	(IV)	
WASTE FITTING KA 90 HORIZONTAL Chrome waste cover, hair catcher included. Universally applicable for FR and ESR. Optional accessories: enamelled waste cover for KA 90		4109 687772600999	110.00				
WASTE FITTING KA 90 FLAT Chrome waste cover, hair catcher included. Universally applicable for FR and ESR. Optional accessories: enamelled waste cover for KA 90		4104 687772540999	117.50				
WASTE FITTING KA 90 VERTICAL Chrome waste cover, hair catcher included. Universally applicable for FR and ESR. Optional accessories: enamelled waste cover for KA 90		4110 687772610999	149.50				
WASTE COVER KA 90 in addition to the fittings 4109, 4104, 4110 enamelled enamelled ANTI-SLIP SECURE PLUS		68777259xxxx 687772592xxx		39.50 39.50	78.50	39.50 39.50	
OPTIONAL: KALDEWEI PROFESSIONAL INSTALLATION ●¹			PRICE	(I)	(II), (III)	(IV)	
ESR FLOOR LEVEL INSTALLATION SYSTEM (FOR -1 MODELS) 1400 x 900 (actual installation size ESR 1428 x 928) 1400 x 1000 (actual installation size ESR 1428 x 1028) 1500 x 700 (actual installation size ESR 1528 x 728) 1500 x 750 (actual installation size ESR 1528 x 778)		640000350000 640000360000 640000370000 640000380000	370.00 370.00 506.00 506.00				
SHOWER TRAY FOOT FRAME FR 5300 Size adjustment up to 1800 x 1500		530000140000	177.00				
CENTRAL SUPPORT SYSTEM MAS 5305 required for shower trays larger than 900 mm		688076530000	25.50				
OPTIONAL: KALDEWEI PROFESSIONAL WATERPROOF ●¹			PRICE	(I)	(II), (III)	(IV)	
SEALING KIT FLOOR-LEVEL		689720490000	143.50				
SEALING KIT FLEX		689720520000	48.50				
CUT PROTECTION TAPE 6,6M for shower surfaces > 1000 x 1200 mm		689720580000	91.50				
OPTIONAL: KALDEWEI SILENCE PLUS ●¹			PRICE	(I)	(II), (III)	(IV)	
SHOWER TRAY SOUND ABSORBING SET DW-ADS		687675720000	34.50				

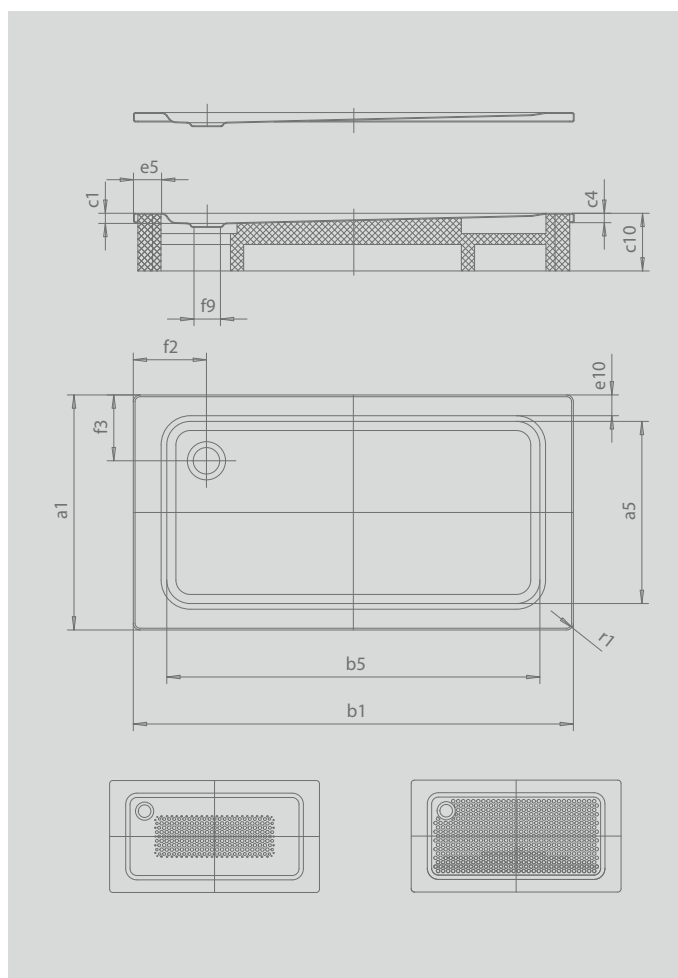
SUPERPLAN

- exclusive, elegant design
- made of KALDEWEI steel enamel
- flush-fitting recessed waste cover (only in combination with the KA 90 waste fittings)



Similar illustration

Model-1	Total height				Fitting height			
	431	439	442	447	431	439	442	447
KA 90 horizontal	119	123	123	120	80	80	80	80
KA 90 flat	99	103	103	100	60	60	60	60
KA 90 vertical	49	49	49	49	80	80	80	80
Model-2	135	135	135	135				



ANTISLIP
SECURE⁺

Model		447	439	442	431
External length	a_1	800	900	1000	700 mm
Internal length	a_5	640	790	890	590 mm
External width	b_1	1500	1500	1500	1600 mm
Internal width	b_5	1300	1290	1290	1290 mm
Depth inside	c_1	40	43	43	39 mm
Height of rim	c_4	32	32	32	32 mm
Height with support	c_{10}	135	135	135	135 mm
Width of rim	e_{10}, e_5	75; 100	50; 100	50; 100	50; 150 mm
Diameter of waste hole	f_9	Ø 90	Ø 90	Ø 90	Ø 90 mm
Distance bath edge to centre of waste hole	f_2, f_3	250; 225	250; 200	250; 200	300; 200 mm
External radius	r_1	12	12	12	12 mm
Net weight		31	37	40	30 kg
Anti-slip		300 x 856	549 x 856	549 x 856	300 x 856 mm
Full anti-slip		524 x 1177	649 x 1177	773 x 1177	461 x 1177 mm
ANTI-SLIP SECURE PLUS		full base	full base	full base	full base

Subject to technical alterations, tolerances and errors. Similar illustration.

KALDEWEI

	Drain Hole	Model Order No.	Dimensions mm	Colour price groups			GBP
				Alpine White (I)	Sanitary Colours (II, III)	Coord. Colours (IV)	
SUPERPLAN	Ø 90 mm	447-1 44360001xxxx	1500 x 800 x 40	600.00	779.00	661.00	
		439-1 43390001xxxx	1500 x 900 x 43	600.00	779.00	661.00	
		442-1 43420001xxxx	1500 x 1000 x 43	646.00	839.00	712.00	
		431-1 43310001xxxx	1600 x 700 x 39	594.00	771.00	653.00	
SUPERPLAN WITH SUPPORT Total height incl. support: 135 mm	Ø 90 mm	447-2 44364804xxxx	1500 x 800 x 40	675.00	879.00	744.00	
		439-2 43394804xxxx	1500 x 900 x 43	675.00	879.00	744.00	
		442-2 43424804xxxx	1500 x 1000 x 43	721.00	937.00	794.00	
		431-2 43314804xxxx	1600 x 700 x 39	670.00	869.00	736.00	
OPTIONAL: KALDEWEI PERFECTION SURFACE FINISHES			PRICE	(I)	(II), (III)	(IV)	
EXTRA CHARGE FOR EASY-CLEAN FINISH		xxxxxxx3xxx		82.00	82.00	82.00	
ANTI-SLIP SECURE PLUS Standard-compliant slip resistance (Evaluation group B according to DIN 51097, R10 according to DIN 51130). Fired into the enamel – Slip resistant surface over the entire surface, matt finish only . Cannot be combined with easy-clean finish		xxxxxxx2xxx		165.00		165.00	
FULL ANTI-SLIP Fired into the enamel – Slip resistant pattern over almost the entire surface				236.00	236.00		
PARTIAL ANTI-SLIP Fired into the enamel – Slip resistant pattern over part of the surface				117.50	117.50		
OPTIONAL: KALDEWEI PROFESSIONAL INFLOW/OUTFLOW TECHNOLOGY ●¹			PRICE	(I)	(II), (III)	(IV)	
WASTE FITTING KA 90 HORIZONTAL Chrome waste cover, hair catcher included. Universally applicable for FR and ESR. Optional accessories: enamelled waste cover for KA 90		4109 687772600999	110.00				
WASTE FITTING KA 90 FLAT Chrome waste cover, hair catcher included. Universally applicable for FR and ESR. Optional accessories: enamelled waste cover for KA 90		4104 687772540999	117.50				
WASTE FITTING KA 90 VERTICAL Chrome waste cover, hair catcher included. Universally applicable for FR and ESR. Optional accessories: enamelled waste cover for KA 90		4110 687772610999	149.50				
WASTE COVER KA 90 in addition to the fittings 4109, 4104, 4110 enamelled enamelled ANTI-SLIP SECURE PLUS		68777259xxxx 687772592xxx		39.50 39.50	78.50	39.50 39.50	
OPTIONAL: KALDEWEI PROFESSIONAL INSTALLATION ●¹			PRICE	(I)	(II), (III)	(IV)	
ESR FLOOR LEVEL INSTALLATION SYSTEM (FOR -1 MODELS) 1500 x 800 (actual installation size ESR 1528 x 828) 1500 x 900 (actual installation size ESR 1528 x 928) 1500 x 1000 (actual installation size ESR 1528 x 1028) 1600 x 700 (actual installation size ESR 1628 x 728)		640000540000 640000390000 640000400000 640000420000	506.00 506.00 506.00 506.00				
SHOWER TRAY FOOT FRAME FR 5300 Size adjustment up to 1800 x 1500		530000140000	177.00				
CENTRAL SUPPORT SYSTEM MAS 5305 required for shower trays larger than 900 mm		688076530000	25.50				
OPTIONAL: KALDEWEI PROFESSIONAL WATERPROOF ●¹			PRICE	(I)	(II), (III)	(IV)	
SEALING KIT FLOOR-LEVEL		689720490000	143.50				
SEALING KIT FLEX		689720520000	48.50				
CUT PROTECTION TAPE 6,6M for shower surfaces > 1000 x 1200 mm		689720580000	91.50				
OPTIONAL: KALDEWEI SILENCE PLUS ●¹			PRICE	(I)	(II), (III)	(IV)	
SHOWER TRAY SOUND ABSORBING SET DW-ADS		687675720000	34.50				

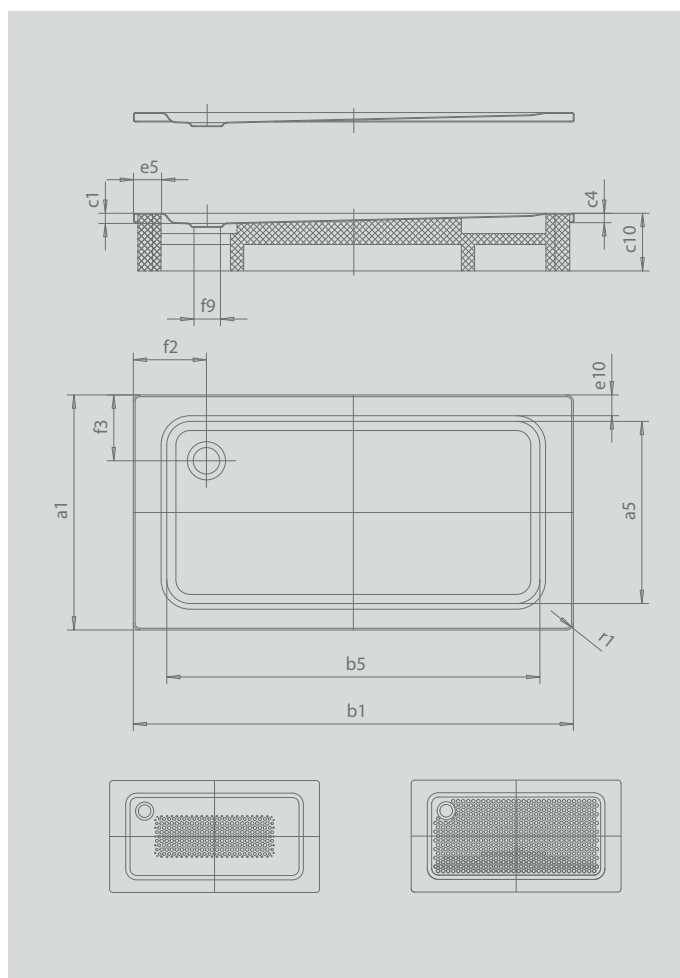
SUPERPLAN

- exclusive, elegant design
- made of KALDEWEI steel enamel
- flush-fitting recessed waste cover (only in combination with the KA 90 waste fittings)



Similar illustration

Model-1	Total height				Fitting height			
	436	440	443	448	436	440	443	448
KA 90 horizontal	120	123	123	120	80	80	80	80
KA 90 flat	100	103	103	100	60	60	60	60
KA 90 vertical	49	49	49	49	80	80	80	80
Model-2	135	135	135	135				



ANTISLIP
SECURE

Model		436	448	440	443
External length	a_1	750	800	900	1000 mm
Internal length	a_5	650	640	790	890 mm
External width	b_1	1600	1600	1600	1600 mm
Internal width	b_5	1280	1300	1280	1280 mm
Depth inside	c_1	40	40	43	43 mm
Height of rim	c_4	32	32	32	32 mm
Height with support	c_{10}	135	135	135	135 mm
Width of rim	e_{10}, e_5	50; 150	75; 150	50; 150	50; 150 mm
Diameter of waste hole	f_9	Ø 90	Ø 90	Ø 90	Ø 90 mm
Distance bath edge to centre of waste hole	f_2, f_3	300; 200	300; 225	300; 200	300; 200 mm
External radius	r_1	12	12	12	12 mm
Net weight		30	33	39	41 kg
Anti-slip		300 x 856	300 x 856	549 x 856	549 x 856 mm
Full anti-slip		524 x 1177	524 x 1177	649 x 1177	773 x 1177 mm
ANTI-SLIP SECURE PLUS		full base	full base	full base	full base

Subject to technical alterations, tolerances and errors. Similar illustration.

KALDEWEI

	Drain Hole	Model Order No.	Dimensions mm	Colour price groups			GBP
				Alpine White (I)	Sanitary Colours (II, III)	Coord. Colours (IV)	
SUPERPLAN	Ø 90 mm	436-1 43360001xxxx	1600 x 750 x 40	594.00	771.00	653.00	
		448-1 43490001xxxx	1600 x 800 x 40	600.00	779.00	661.00	
		440-1 43400001xxxx	1600 x 900 x 43	600.00	779.00	661.00	
		443-1 43430001xxxx	1600 x 1000 x 43	646.00	839.00	712.00	
SUPERPLAN WITH SUPPORT Total height incl. support: 135 mm	Ø 90 mm	436-2 43364804xxxx	1600 x 750 x 40	670.00	869.00	736.00	
		448-2 43494804xxxx	1600 x 800 x 40	675.00	879.00	744.00	
		440-2 43404804xxxx	1600 x 900 x 43	675.00	879.00	744.00	
		443-2 43434804xxxx	1600 x 1000 x 43	721.00	937.00	794.00	
OPTIONAL: KALDEWEI PERFECTION SURFACE FINISHES			PRICE	(I)	(II), (III)	(IV)	
EXTRA CHARGE FOR EASY-CLEAN FINISH		xxxxxxx3xxx		82.00	82.00	82.00	
ANTI-SLIP SECURE PLUS Standard-compliant slip resistance (Evaluation group B according to DIN 51097, R10 according to DIN 51130). Fired into the enamel - Slip resistant surface over the entire surface, matt finish only . Cannot be combined with easy-clean finish		xxxxxxx2xxx		165.00		165.00	
FULL ANTI-SLIP Fired into the enamel - Slip resistant pattern over almost the entire surface				236.00	236.00		
PARTIAL ANTI-SLIP Fired into the enamel - Slip resistant pattern over part of the surface				117.50	117.50		
OPTIONAL: KALDEWEI PROFESSIONAL INFLOW/OUTFLOW TECHNOLOGY ●¹			PRICE	(I)	(II), (III)	(IV)	
WASTE FITTING KA 90 HORIZONTAL Chrome waste cover, hair catcher included. Universally applicable for FR and ESR. Optional accessories: enamelled waste cover for KA 90		4109 687772600999	110.00				
WASTE FITTING KA 90 FLAT Chrome waste cover, hair catcher included. Universally applicable for FR and ESR. Optional accessories: enamelled waste cover for KA 90		4104 687772540999	117.50				
WASTE FITTING KA 90 VERTICAL Chrome waste cover, hair catcher included. Universally applicable for FR and ESR. Optional accessories: enamelled waste cover for KA 90		4110 687772610999	149.50				
WASTE COVER KA 90 in addition to the fittings 4109, 4104, 4110 enamelled enamelled ANTI-SLIP SECURE PLUS		68777259xxxx 687772592xxx		39.50 39.50	78.50	39.50 39.50	
OPTIONAL: KALDEWEI PROFESSIONAL INSTALLATION ●¹			PRICE	(I)	(II), (III)	(IV)	
ESR FLOOR LEVEL INSTALLATION SYSTEM (FOR -1 MODELS) 1600 x 750 (actual installation size ESR 1628 x 778) 1600 x 800 (actual installation size ESR 1628 x 828) 1600 x 900 (actual installation size ESR 1628 x 928) 1600 x 1000 (actual installation size ESR 1628 x 1028)		640000430000 640000550000 640000440000 640000450000	506.00 506.00 506.00 506.00				
SHOWER TRAY FOOT FRAME FR 5300 Size adjustment up to 1800 x 1500		53000014xxxx	177.00				
CENTRAL SUPPORT SYSTEM MAS 5305 required for shower trays larger than 900 mm		688076530000	25.50				
OPTIONAL: KALDEWEI PROFESSIONAL WATERPROOF ●¹			PRICE	(I)	(II), (III)	(IV)	
SEALING KIT FLOOR-LEVEL		689720490000	143.50				
SEALING KIT FLEX		689720520000	48.50				
CUT PROTECTION TAPE 6,6M for shower surfaces > 1000 x 1200 mm		689720580000	91.50				
OPTIONAL: KALDEWEI SILENCE PLUS ●¹			PRICE	(I)	(II), (III)	(IV)	
SHOWER TRAY SOUND ABSORBING SET DW-ADS		687675720000	34.50				

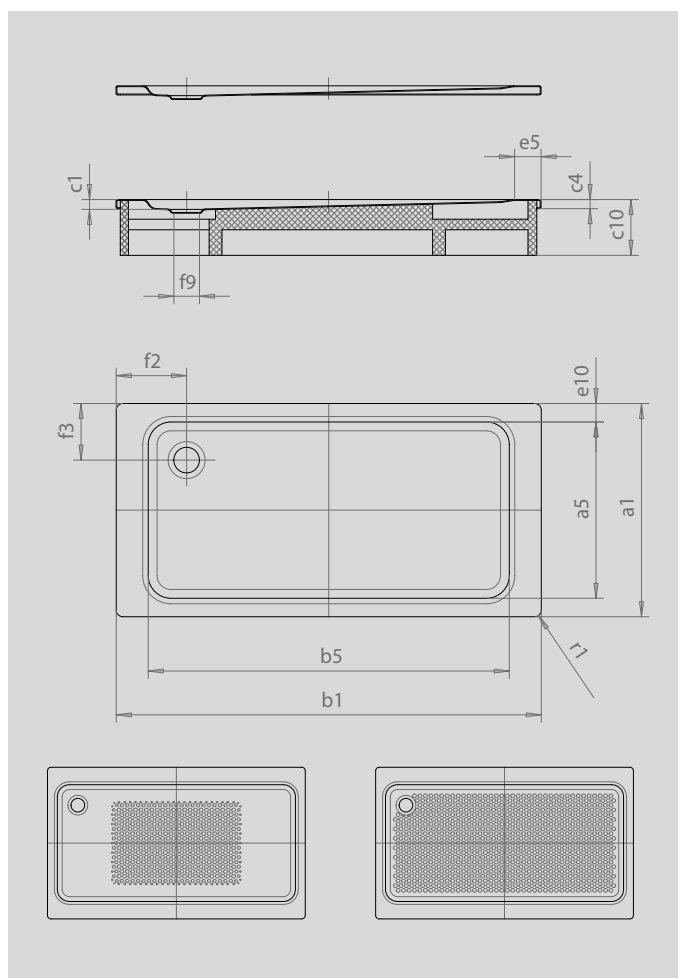
SUPERPLAN

- exclusive, elegant design
- made of KALDEWEI steel enamel
- flush-fitting recessed waste cover (only in combination with the KA 90 waste fittings)



Similar illustration

Model-1	Total height					Fitting height				
	409	411	430	444	456	409	411	430	444	456
KA 90 horizontal	127	127	131	131	127	80	80	80	80	80
KA 90 flat	107	107	111	111	107	60	60	60	60	60
KA 90 vertical	49	49	49	49	49	80	80	80	80	80
Model-2	145	145	145	145						



ANTISLIP
SECURE

Model	409	411	456	430	444	
External length	a ₁	700	750	800	900	1000 mm
Internal length	a ₅	590	640	690	790	790 mm
External width	b ₁	1700	1700	1700	1700	1700 mm
Internal width	b ₅	1590	1590	1590	1590	1590 mm
Depth inside	c ₁	47	47	47	51	51 mm
Height of rim	c ₄	32	32	32	32	32 mm
Height with support	c ₁₀	145	145	145	145	145 mm
Width of rim	e ₁₀ ; e ₅	50; 50	50; 50	50; 50	50; 50	100; 50 mm
Diameter of waste hole	f ₉	Ø 90	Ø 90	Ø 90	Ø 90	Ø 90 mm
Distance bath edge to centre of waste hole	f ₂ ; f ₃	200; 200	200; 200	200; 200	200; 200	200; 250 mm
External radius	r ₁	12	12	12	12	12 mm
Net weight		33	33	31	40	46 kg
Anti-slip		300 x 856	300 x 856	300 x 856	549 x 856	549 x 856 mm
Full anti-slip		461 x 1465	524 x 1465	524 x 1177	649 x 1465	649 x 1465 mm
ANTI-SLIP SECURE PLUS		full base	full base	full base	full base	full base

Subject to technical alterations, tolerances and errors. Similar illustration.



	Drain Hole	Model Order No.	Dimensions mm	Colour price groups			GBP
				Alpine White (I)	Sanitary Colours (II, III)	Coord. Colours (IV)	
SUPERPLAN	Ø 90 mm	409-1 43090001xxxx	1700 x 700 x 47	646.00	839.00	712.00	
		411-1 43110001xxxx	1700 x 750 x 47	646.00	839.00	712.00	
		456-1 43990001xxxx	1700 x 800 x 47	646.00	839.00	712.00	
		430-1 43300001xxxx	1700 x 900 x 51	646.00	839.00	712.00	
		444-1 43440001xxxx	1700 x 1000 x 51	667.00	868.00	735.00	
		430-2 43094804xxxx	1700 x 700 x 47	721.00	937.00	794.00	
SUPERPLAN WITH SUPPORT Total height with support: 145 mm	Ø 90 mm	411-2 43114804xxxx	1700 x 750 x 47	721.00	937.00	794.00	
		430-2 43304804xxxx	1700 x 900 x 51	721.00	937.00	794.00	
		444-2 43444804xxxx	1700 x 1000 x 51	743.00	965.00	819.00	
		411-2 43114804xxxx	1700 x 750 x 47	721.00	937.00	794.00	
		430-2 43304804xxxx	1700 x 900 x 51	721.00	937.00	794.00	
OPTIONAL: KALDEWEI PERFECTION SURFACE FINISHES			PRICE	(I)	(II), (III)	(IV)	
EXTRA CHARGE FOR EASY-CLEAN FINISH		xxxxxxx3xxx		82.00	82.00	82.00	
ANTI-SLIP SECURE PLUS Standard-compliant slip resistance (Evaluation group B according to DIN 51097, R10 according to DIN 51130). Fired into the enamel - Slip resistant surface over the entire surface, matt finish only . Cannot be combined with easy-clean finish		xxxxxxx2xxx		165.00		165.00	
FULL ANTI-SLIP Fired into the enamel - Slip resistant pattern over almost the entire surface				236.00	236.00		
PARTIAL ANTI-SLIP Fired into the enamel - Slip resistant pattern over part of the surface				117.50	117.50		
OPTIONAL: KALDEWEI PROFESSIONAL INFLOW/OUTFLOW TECHNOLOGY ●¹			PRICE	(I)	(II), (III)	(IV)	
WASTE FITTING KA 90 HORIZONTAL Chrome waste cover, hair catcher included. Universally applicable for FR and ESR. Optional accessories: enamelled waste cover for KA 90		4109 687772600999		110.00			
WASTE FITTING KA 90 FLAT Chrome waste cover, hair catcher included. Universally applicable for FR and ESR. Optional accessories: enamelled waste cover for KA 90		4104 687772540999		117.50			
WASTE FITTING KA 90 VERTICAL Chrome waste cover, hair catcher included. Universally applicable for FR and ESR. Optional accessories: enamelled waste cover for KA 90		4110 687772610999		149.50			
WASTE COVER KA 90 in addition to the fittings 4109, 4104, 4110 enamelled enamelled ANTI-SLIP SECURE PLUS		68777259xxxx 687772592xxx		39.50 39.50	78.50	39.50 39.50	
OPTIONAL: KALDEWEI PROFESSIONAL INSTALLATION ●¹			PRICE	(I)	(II), (III)	(IV)	
ESR FLOOR LEVEL INSTALLATION SYSTEM (FOR -1 MODELS) 1700 x 700 (actual installation size ESR 1728 x 728) 1700 x 750 (actual installation size ESR 1728 x 778) 1700 x 800 (actual installation size ESR 1728 x 828) 1700 x 900 (actual installation size ESR 1728 x 928) 1700 x 1000 (actual installation size ESR 1728 x 1028)		640000460000 640000470000 640000620000 640000480000 640000490000		506.00 506.00 506.00 506.00 506.00			
SHOWER TRAY FOOT FRAME FR 5300 Size adjustment up to 1800 x 1500		530000140000		177.00			
CENTRAL SUPPORT SYSTEM MAS 5305 required for shower trays larger than 900 mm		688076530000		25.50			
OPTIONAL: KALDEWEI PROFESSIONAL WATERPROOF ●¹			PRICE	(I)	(II), (III)	(IV)	
SEALING KIT FLOOR-LEVEL		689720490000		143.50			
SEALING KIT FLEX		689720520000		48.50			
CUT PROTECTION TAPE 6,6M for shower surfaces > 1000 x 1200 mm		689720580000		91.50			
OPTIONAL: KALDEWEI SILENCE PLUS ●¹			PRICE	(I)	(II), (III)	(IV)	
SHOWER TRAY SOUND ABSORBING SET DW-ADS		687675720000		34.50			



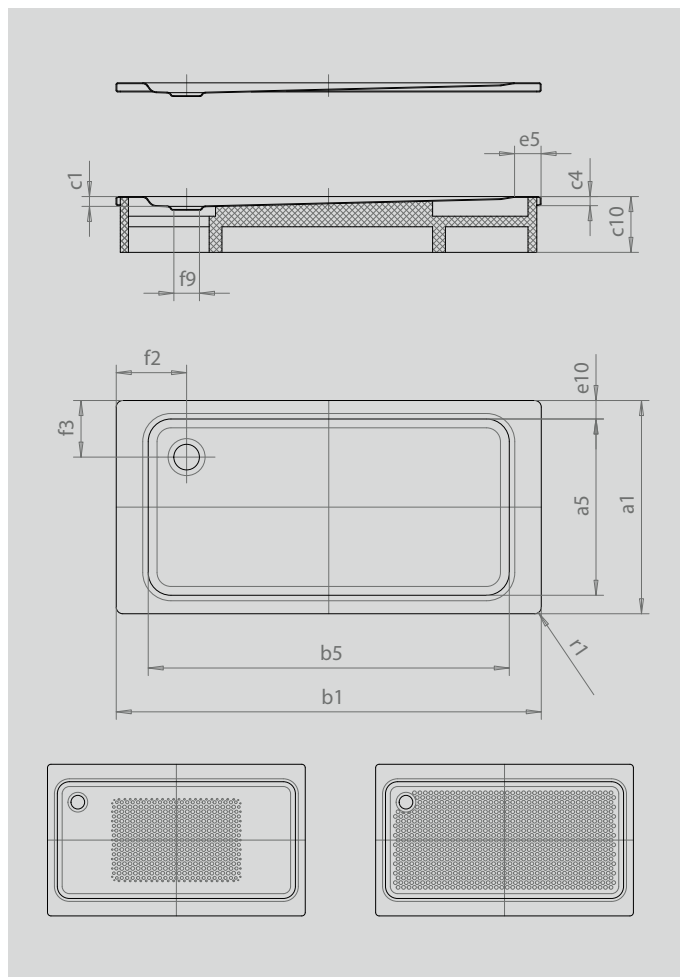
SUPERPLAN

- exclusive, elegant design
- made of KALDEWEI steel enamel
- flush-fitting recessed waste cover (only in combination with the KA 90 waste fittings)



Similar illustration

Model-1	Total height			Fitting height		
	437	441	445	437	441	445
KA 90 horizontal	127	131	131	80	80	80
KA 90 flat	107	111	111	60	60	60
KA 90 vertical	49	49	49	80	80	80
Model-2	145	145	145			



ANTISLIP
SECURE

Model		437	441	445
External length	a_1	800	900	1000 mm
Internal length	a_5	640	790	790 mm
External width	b_1	1800	1800	1800 mm
Internal width	b_5	1580	1580	1580 mm
Depth inside	c_1	47	51	51 mm
Height of rim	c_4	32	32	32 mm
Height with support	c_{10}	145	145	145 mm
Width of rim	$e_{10}; e_5$	75; 100	50; 100	100; 100 mm
Diameter of waste hole	f_9	Ø 90	Ø 90	Ø 90 mm
Distance bath edge to centre of waste hole	$f_{21}; f_3$	225; 250	250; 200	250; 250 mm
External radius	r_1	12	12	12 mm
Net weight		37	41	45 kg
Anti-slip		300 x 856	549 x 856	549 x 856 mm
Full anti-slip		527 x 1465	649 x 1465	649 x 1465 mm
ANTI-SLIP SECURE PLUS		full base	full base	full base

Subject to technical alterations, tolerances and errors. Similar illustration.

	Drain Hole	Model Order No.	Dimensions mm	Colour price groups			GBP
				Alpine White (I)	Sanitary Colours (II, III)	Coord. Colours (IV)	
SUPERPLAN	Ø 90 mm	437-1 43370001xxxx	1800 x 800 x 47	646.00	839.00	712.00	
		441-1 43410001xxxx	1800 x 900 x 51	646.00	839.00	712.00	
		445-1 43450001xxxx	1800 x 1000 x 51	667.00	868.00	735.00	
SUPERPLAN WITH SUPPORT Total height with support: 145 mm	Ø 90 mm	437-2 43374804xxxx	1800 x 800 x 47	721.00	937.00	794.00	
		441-2 43414804xxxx	1800 x 900 x 51	721.00	937.00	794.00	
		445-2 43454804xxxx	1800 x 1000 x 51	743.00	965.00	819.00	
OPTIONAL: KALDEWEI PERFECTION SURFACE FINISHES			PRICE	(I)	(II), (III)	(IV)	
EXTRA CHARGE FOR EASY-CLEAN FINISH		xxxxxxx3xxx		82.00	82.00	82.00	
ANTI-SLIP SECURE PLUS Standard-compliant slip resistance (Evaluation group B according to DIN 51097, R10 according to DIN 51130). Fired into the enamel – Slip resistant surface over the entire surface, matt finish only . Cannot be combined with easy-clean finish		xxxxxxx2xxx		165.00		165.00	
FULL ANTI-SLIP Fired into the enamel – Slip resistant pattern over almost the entire surface				236.00	236.00		
PARTIAL ANTI-SLIP Fired into the enamel – Slip resistant pattern over part of the surface				117.50	117.50		
OPTIONAL: KALDEWEI PROFESSIONAL INFLOW/OUTFLOW TECHNOLOGY ●¹			PRICE	(I)	(II), (III)	(IV)	
WASTE FITTING KA 90 HORIZONTAL Chrome waste cover, hair catcher included. Universally applicable for FR and ESR. Optional accessories: enamelled waste cover for KA 90		4109 687772600999	110.00				
WASTE FITTING KA 90 FLAT Chrome waste cover, hair catcher included. Universally applicable for FR and ESR. Optional accessories: enamelled waste cover for KA 90		4104 687772540999	117.50				
WASTE FITTING KA 90 VERTICAL Chrome waste cover, hair catcher included. Universally applicable for FR and ESR. Optional accessories: enamelled waste cover for KA 90		4110 687772610999	149.50				
WASTE COVER KA 90 in addition to the fittings 4109, 4104, 4110 enamelled enamelled ANTI-SLIP SECURE PLUS		68777259xxxx 687772592xxx		39.50 39.50	78.50	39.50 39.50	
OPTIONAL: KALDEWEI PROFESSIONAL INSTALLATION ●¹			PRICE	(I)	(II), (III)	(IV)	
ESR FLOOR LEVEL INSTALLATION SYSTEM (FOR -1 MODELS) 1800 x 800 (actual installation size ESR 1828 x 828) 1800 x 900 (actual installation size ESR 1828 x 928) 1800 x 1000 (actual installation size ESR 1828 x 1028)		640000500000 640000510000 640000520000	506.00 506.00 506.00				
SHOWER TRAY FOOT FRAME FR 5300 Size adjustment up to 1800 x 1500		530000140000	177.00				
CENTRAL SUPPORT SYSTEM MAS 5305 required for shower trays larger than 900 mm		688076530000	25.50				
OPTIONAL: KALDEWEI PROFESSIONAL WATERPROOF ●¹			PRICE	(I)	(II), (III)	(IV)	
SEALING KIT FLOOR-LEVEL		689720490000	143.50				
SEALING KIT FLEX		689720520000	48.50				
CUT PROTECTION TAPE 6,6M for shower surfaces > 1000 x 1200 mm		689720580000	91.50				
OPTIONAL: KALDEWEI SILENCE PLUS ●¹			PRICE	(I)	(II), (III)	(IV)	
SHOWER TRAY SOUND ABSORBING SET DW-ADS		687675720000	34.50				

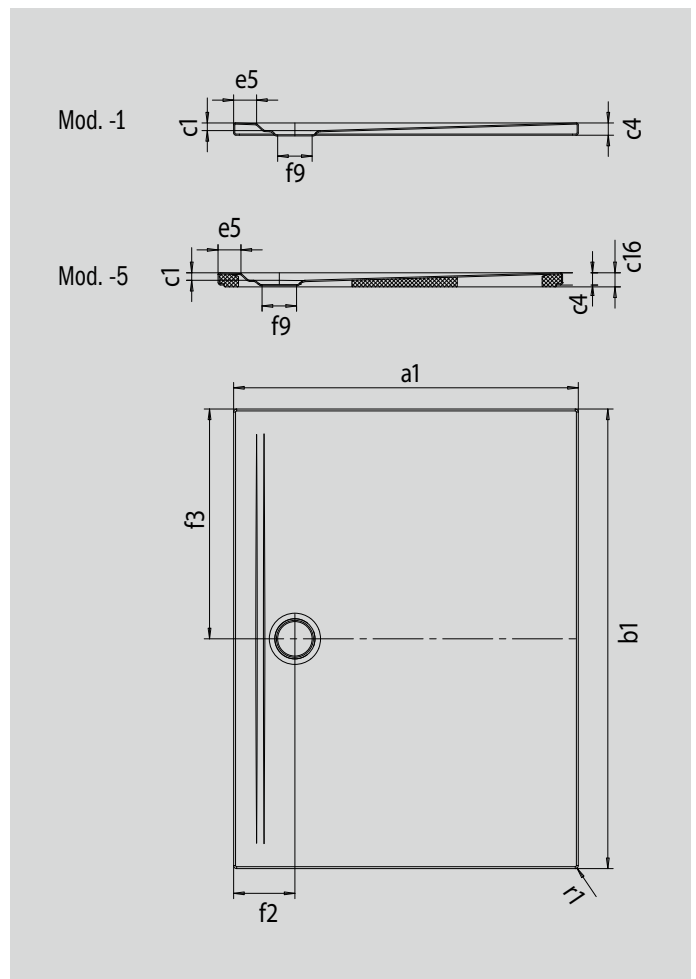
SUPERPLAN ZERO

- accessible from three sides without steps
- waste especially close to the wall and an even slope for a consistently level surface
- generous design, seamless transitions for small and large bathrooms
- clear edges and sharp corner radii for minimum joints and a uniform look
- low installation height for easy, floor-level installation – also for large formats



Similar illustration

Model-1	Total height				Fitting height			
	1510	1512	1514	1516	1510	1512	1514	1516
KA 90 horizontal	100	100	100	100	80	80	80	80
KA 90 flat	80	80	80	80	60	60	60	60
KA 90 vertical	49	49	49	49	80	80	80	80
Model-5	1510	1512	1514	1516	1510	1512	1514	1516
KA 90 horizontal	100	100	100	100	80	80	80	80
KA 90 flat	80	80	80	80	60	60	60	60
KA 90 vertical	37	37	37	37	80	80	80	80



ANTISLIP
SECURE⁺

Model	1510	1512	1514	1516
External length	a ₁	700	700	800 mm
External width	b ₁	700	800	800 mm
Depth inside	c ₁	20	20	20 mm
Height of rim	c ₄	32	32	32 mm
Height with low-profile support	c ₁₆	37	37	37 mm
Width of rim	e ₅	60	60	60 mm
Diameter of waste hole	f ₉	Ø 90	Ø 90	Ø 90 mm
Distance bath edge to centre of waste hole	f ₂ ; f ₃	160; 400	160; 400	160; 400 mm
External radius	r ₁	8	8	8 mm
Net weight		13	14	16 kg
ANTI-SLIP SECURE PLUS		full base	full base	full base

Subject to technical alterations, tolerances and errors. Similar illustration.

KALDEWEI

	Drain Hole	Model Order No.	Dimensions mm	Colour price groups			GBP
				Alpine White (I)	Sanitary Colours (II, III)	Coord. Colours (IV)	
SUPERPLAN ZERO	Ø 90 mm	1510-1 35100001xxxx	700 x 700 x 20	543.00	706.00	598.00	
		1512-1 35120001xxxx	800 x 700 x 20	543.00	706.00	598.00	
		1514-1 35140001xxxx	800 x 750 x 20	543.00	706.00	598.00	
		1516-1 35160001xxxx	800 x 800 x 20	448.00	582.00	491.00	
SUPERPLAN ZERO WITH LOW PROFILE SUPPORT Height with tub support 37 mm	Ø 90 mm	1510-5 35104798xxxx	700 x 700 x 20	564.00	734.00	621.00	
		1512-5 35124798xxxx	800 x 700 x 20	564.00	734.00	621.00	
		1514-5 35144798xxxx	800 x 750 x 20	564.00	734.00	621.00	
		1516-5 35164798xxxx	800 x 800 x 20	469.00	609.00	516.00	
OPTIONAL: KALDEWEI PERFECTION SURFACE FINISHES			PRICE	(I)	(II), (III)	(IV)	
EXTRA CHARGE FOR EASY-CLEAN FINISH		xxxxxxx3xxx		82.00	82.00	82.00	
ANTISLIP SECURE PLUS Standard-compliant slip resistance (Evaluation group B according to DIN 51097, R10 according to DIN 51130). Fired into the enamel – Slip resistant surface over the entire surface, matt finish only . Cannot be combined with easy-clean finish		xxxxxxx2xxx		165.00		165.00	
OPTIONAL: KALDEWEI PROFESSIONAL INFLOW/OUTFLOW TECHNOLOGY ●¹			PRICE	(I)	(II), (III)	(IV)	
WASTE FITTING KA 90 HORIZONTAL Chrome waste cover, hair catcher included. Universally applicable for FR and ESR. Optional accessories: enamelled waste cover for KA 90		4109 687772600999		110.00			
WASTE FITTING KA 90 FLAT Chrome waste cover, hair catcher included. Universally applicable for FR and ESR. Optional accessories: enamelled waste cover for KA 90		4104 687772540999		117.50			
WASTE FITTING KA 90 VERTICAL Chrome waste cover, hair catcher included. Universally applicable for FR and ESR. Optional accessories: enamelled waste cover for KA 90		4110 687772610999		149.50			
WASTE COVER KA 90 in addition to the fittings 4109, 4104, 4110 enamelled enamelled ANTI-SLIP SECURE PLUS		68777259xxxx 687772592xxx		39.50 39.50	78.50	39.50 39.50	
OPTIONAL: KALDEWEI PROFESSIONAL INSTALLATION ●¹			PRICE	(I)	(II), (III)	(IV)	
ESR FLOOR LEVEL INSTALLATION SYSTEM (FOR -1 MODELS) 700 x 700 (screed recess ESR 728 x 728) 800 x 700 (screed recess ESR 828 x 728) 800 x 750 (screed recess ESR 828 x 778) 800 x 800 (screed recess ESR 828 x 828)		640000700000 640000690000 640000100000 640000110000		281.00 281.00 281.00 281.00			
SHOWER TRAY FOOT FRAME FR 5300 Size adjustment up to 900 x 900		530000120000		113.50			
OPTIONAL: KALDEWEI PROFESSIONAL WATERPROOF ●¹			PRICE	(I)	(II), (III)	(IV)	
SEALING KIT FLOOR-LEVEL		689720490000		143.50			
SEALING KIT FLEX 1 x Wannen-Dicht-Band 5,0 m, 2 x Wand-ecken, 1 x Montageanleitung		689720520000		48.50			
CUT PROTECTION TAPE 4,6M for shower surfaces ≤ 1000 x 1200 mm		689720570000		63.50			
OPTIONAL: KALDEWEI SILENCE PLUS ●¹			PRICE	(I)	(II), (III)	(IV)	
SHOWER TRAY SOUND ABSORBING SET DW-ADS		687675720000		34.50			

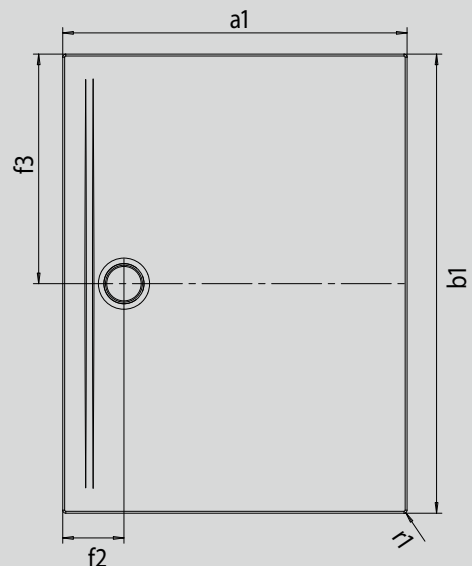
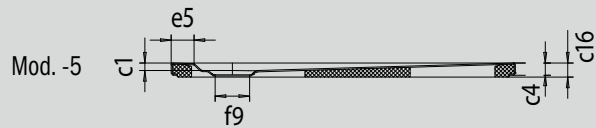
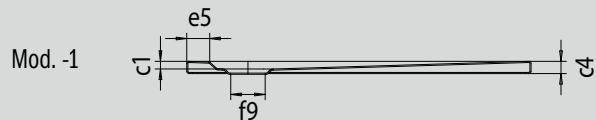
SUPERPLAN ZERO

- accessible from three sides without steps
- waste especially close to the wall and an even slope for a consistently level surface
- generous design, seamless transitions for small and large bathrooms
- clear edges and sharp corner radii for minimum joints and a uniform look
- low installation height for easy, floor-level installation – also for large formats



Similar illustration

Model-1	Total height				Fitting height			
	1518	1520	1522	1524	1518	1520	1522	1524
KA 90 horizontal	100	100	100	100	80	80	80	80
KA 90 flat	80	80	80	80	60	60	60	60
KA 90 vertical	49	49	49	49	80	80	80	80
Model-5	1518	1520	1522	1524	1518	1520	1522	1524
KA 90 horizontal	100	100	100	100	80	80	80	80
KA 90 flat	80	80	80	80	60	60	60	60
KA 90 vertical	37	37	37	37	80	80	80	80



ANTISLIP
SECURE

Model		1518	1520	1522	1524
External length	a_1	700	750	800	900 mm
External width	b_1	900	900	900	900 mm
Depth inside	c_1	20	20	20	20 mm
Height of rim	c_4	32	32	32	32 mm
Height with low-profile support	c_{16}	37	37	37	37 mm
Width of rim	e_5	60	60	60	60 mm
Diameter of waste hole	f_9	Ø 90	Ø 90	Ø 90	Ø 90 mm
Distance bath edge to centre of waste hole	$f_2; f_3$	160; 450	160; 450	160; 450	160; 450 mm
External radius	r_1	8	8	8	8 mm
Net weight		16	17	19	21 kg
ANTI-SLIP SECURE PLUS		full base	full base	full base	full base

Subject to technical alterations, tolerances and errors. Similar illustration.

	Drain Hole	Model Order No.	Dimensions mm	Colour price groups			GBP
				Alpine White (I)	Sanitary Colours (II, III)	Coord. Colours (IV)	
SUPERPLAN ZERO	Ø 90 mm	1518-1 35180001xxxx	900 x 700 x 20	543.00	706.00	598.00	
		1520-1 35200001xxxx	900 x 750 x 20	448.00	582.00	491.00	
		1522-1 35220001xxxx	900 x 800 x 20	543.00	706.00	598.00	
		1524-1 35240001xxxx	900 x 900 x 20	448.00	582.00	491.00	
SUPERPLAN ZERO WITH LOW PROFILE SUPPORT Height with tub support 37 mm	Ø 90 mm	1518-5 35184798xxxx	900 x 700 x 20	564.00	734.00	621.00	
		1520-5 35204798xxxx	900 x 750 x 20	469.00	609.00	516.00	
		1522-5 35224798xxxx	900 x 800 x 20	564.00	734.00	621.00	
		1524-5 35244798xxxx	900 x 900 x 20	469.00	609.00	516.00	
OPTIONAL: KALDEWEI PERFECTION SURFACE FINISHES			PRICE	(I)	(II), (III)	(IV)	
EXTRA CHARGE FOR EASY-CLEAN FINISH		xxxxxxx3xxx		82.00	82.00	82.00	
ANTI-SLIP SECURE PLUS Standard-compliant slip resistance (Evaluation group B according to DIN 51097, R10 according to DIN 51130). Fired into the enamel - Slip resistant surface over the entire surface, matt finish only . Cannot be combined with easy-clean finish		xxxxxxx2xxx		165.00		165.00	
OPTIONAL: KALDEWEI PROFESSIONAL INFLOW/OUTFLOW TECHNOLOGY ●¹			PRICE	(I)	(II), (III)	(IV)	
WASTE FITTING KA 90 HORIZONTAL Chrome waste cover, hair catcher included. Universally applicable for FR and ESR. Optional accessories: enamelled waste cover for KA 90		4109 687772600999		110.00			
WASTE FITTING KA 90 FLAT Chrome waste cover, hair catcher included. Universally applicable for FR and ESR. Optional accessories: enamelled waste cover for KA 90		4104 687772540999		117.50			
WASTE FITTING KA 90 VERTICAL Chrome waste cover, hair catcher included. Universally applicable for FR and ESR. Optional accessories: enamelled waste cover for KA 90		4110 687772610999		149.50			
WASTE COVER KA 90 in addition to the fittings 4109, 4104, 4110 enamelled enamelled ANTI-SLIP SECURE PLUS		68777259xxxx 687772592xxx		39.50 39.50	78.50	39.50 39.50	
OPTIONAL: KALDEWEI PROFESSIONAL INSTALLATION ●¹			PRICE	(I)	(II), (III)	(IV)	
ESR FLOOR LEVEL INSTALLATION SYSTEM (FOR -1 MODELS) 900 x 700 (actual installation size ESR 928 x 728) 900 x 750 (actual installation size ESR 928 x 778) 900 x 800 (actual installation size ESR 928 x 828) 900 x 900 (actual installation size ESR 928 x 928)		640000120000 640000130000 640000140000 640000150000		281.00 281.00 281.00 281.00			
SHOWER TRAY FOOT FRAME FR 5300 Size adjustment up to 900 x 900		530000120000		113.50			
CENTRAL SUPPORT SYSTEM MAS 5305 required for shower trays larger than 900 mm		688076530000		25.50			
OPTIONAL: KALDEWEI PROFESSIONAL WATERPROOF ●¹			PRICE	(I)	(II), (III)	(IV)	
SEALING KIT FLOOR-LEVEL		689720490000		143.50			
SEALING KIT FLEX		689720520000		48.50			
CUT PROTECTION TAPE 4,6M for shower surfaces ≤ 1000 x 1200 mm		689720570000		63.50			
OPTIONAL: KALDEWEI SILENCE PLUS ●¹			PRICE	(I)	(II), (III)	(IV)	
SHOWER TRAY SOUND ABSORBING SET DW-ADS		687675720000		34.50			

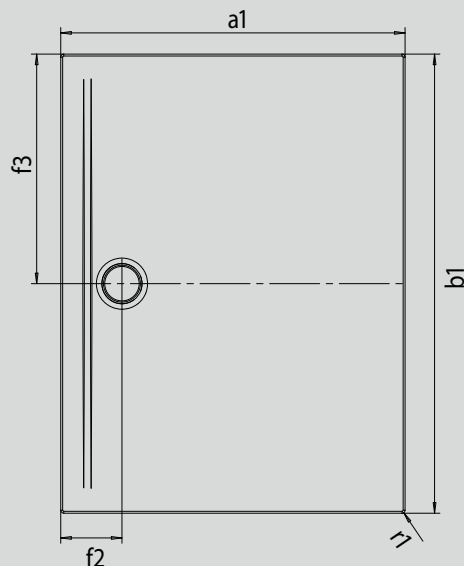
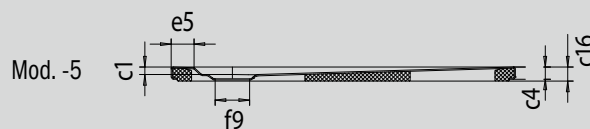
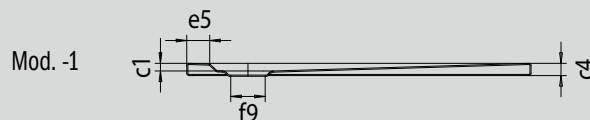
SUPERPLAN ZERO

- accessible from three sides without steps
- waste especially close to the wall and an even slope for a consistently level surface
- generous design, seamless transitions for small and large bathrooms
- clear edges and sharp corner radii for minimum joints and a uniform look
- low installation height for easy, floor-level installation – also for large formats



Similar illustration

Model-1	Total height				Fitting height			
	1526	1528	1530	1532	1526	1528	1530	1532
KA 90 horizontal	100	100	100	100	80	80	80	80
KA 90 flat	80	80	80	80	60	60	60	60
KA 90 vertical	49	49	49	49	80	80	80	80
Model-5	1526	1528	1530	1532	1526	1528	1530	1532
KA 90 horizontal	100	100	100	100	80	80	80	80
KA 90 flat	80	80	80	80	60	60	60	60
KA 90 vertical	37	37	37	37	80	80	80	80



ANTISLIP
SECURE

Model		1526	1528	1530	1532
External length	a_1	700	750	800	900 mm
External width	b_1	1000	1000	1000	1000 mm
Depth inside	c_1	20	20	20	20 mm
Height of rim	c_4	32	32	32	32 mm
Height with low-profile support	c_{16}	37	37	37	37 mm
Width of rim	e_5	60	60	60	60 mm
Diameter of waste hole	f_9	Ø 90	Ø 90	Ø 90	Ø 90 mm
Distance bath edge to centre of waste hole	$f_2; f_3$	160; 500	160; 500	160; 500	160; 500 mm
External radius	r_1	8	8	8	8 mm
Net weight		18	19	21	23 kg
ANTI-SLIP SECURE PLUS		full base	full base	full base	full base

Subject to technical alterations, tolerances and errors. Similar illustration.

	Drain Hole	Model Order No.	Dimensions mm	Colour price groups			GBP
				Alpine White (I)	Sanitary Colours (II, III)	Coord. Colours (IV)	
SUPERPLAN ZERO	Ø 90 mm	1526-1 35260001xxxx	1000 x 700 x 20	656.00	853.00	722.00	
		1528-1 35280001xxxx	1000 x 750 x 20	656.00	853.00	722.00	
		1530-1 35300001xxxx	1000 x 800 x 20	656.00	853.00	722.00	
		1532-1 35320001xxxx	1000 x 900 x 20	656.00	853.00	722.00	
SUPERPLAN ZERO WITH LOW PROFILE SUPPORT Height with tub support 37 mm	Ø 90 mm	1526-5 35264798xxxx	1000 x 700 x 20	677.00	881.00	745.00	
		1528-5 35284798xxxx	1000 x 750 x 20	677.00	881.00	745.00	
		1530-5 35304798xxxx	1000 x 800 x 20	677.00	881.00	745.00	
		1532-5 35324798xxxx	1000 x 900 x 20	677.00	881.00	745.00	
OPTIONAL: KALDEWEI PERFECTION SURFACE FINISHES			PRICE	(I)	(II), (III)	(IV)	
EXTRA CHARGE FOR EASY-CLEAN FINISH		xxxxxxx3xxx		82.00	82.00	82.00	
ANTI-SLIP SECURE PLUS Standard-compliant slip resistance (Evaluation group B according to DIN 51097, R10 according to DIN 51130). Fired into the enamel - Slip resistant surface over the entire surface, matt finish only . Cannot be combined with easy-clean finish		xxxxxxx2xxx		165.00		165.00	
OPTIONAL: KALDEWEI PROFESSIONAL INFLOW/OUTFLOW TECHNOLOGY ●¹			PRICE	(I)	(II), (III)	(IV)	
WASTE FITTING KA 90 HORIZONTAL Chrome waste cover, hair catcher included. Universally applicable for FR and ESR. Optional accessories: enamelled waste cover for KA 90		4109 687772600999		110.00			
WASTE FITTING KA 90 FLAT Chrome waste cover, hair catcher included. Universally applicable for FR and ESR. Optional accessories: enamelled waste cover for KA 90		4104 687772540999		117.50			
WASTE FITTING KA 90 VERTICAL Chrome waste cover, hair catcher included. Universally applicable for FR and ESR. Optional accessories: enamelled waste cover for KA 90		4110 687772610999		149.50			
WASTE COVER KA 90 in addition to the fittings 4109, 4104, 4110 enamelled enamelled ANTI-SLIP SECURE PLUS		68777259xxxx 687772592xxx		39.50 39.50	78.50	39.50 39.50	
OPTIONAL: KALDEWEI PROFESSIONAL INSTALLATION ●¹			PRICE	(I)	(II), (III)	(IV)	
ESR FLOOR LEVEL INSTALLATION SYSTEM (FOR -1 MODELS) 1000 x 700 (actual installation size ESR 1028 x 728) 1000 x 750 (actual installation size ESR 1028 x 778) 1000 x 800 (actual installation size ESR 1028 x 828) 1000 x 900 (actual installation size ESR 1028 x 928)		640000680000 640000160000 640000170000 640000180000		281.00 281.00 281.00 281.00			
SHOWER TRAY FOOT FRAME FR 5300 Size adjustment up to 1200 x 1200		530000130000		124.50			
CENTRAL SUPPORT SYSTEM MAS 5305 required for shower trays larger than 900 mm		688076530000		25.50			
OPTIONAL: KALDEWEI PROFESSIONAL WATERPROOF ●¹			PRICE	(I)	(II), (III)	(IV)	
SEALING KIT FLOOR-LEVEL		689720490000		143.50			
SEALING KIT FLEX		689720520000		48.50			
CUT PROTECTION TAPE 4,6M for shower surfaces ≤ 1000 x 1200 mm		689720570000		63.50			
OPTIONAL: KALDEWEI SILENCE PLUS ●¹			PRICE	(I)	(II), (III)	(IV)	
SHOWER TRAY SOUND ABSORBING SET DW-ADS		687675720000		34.50			

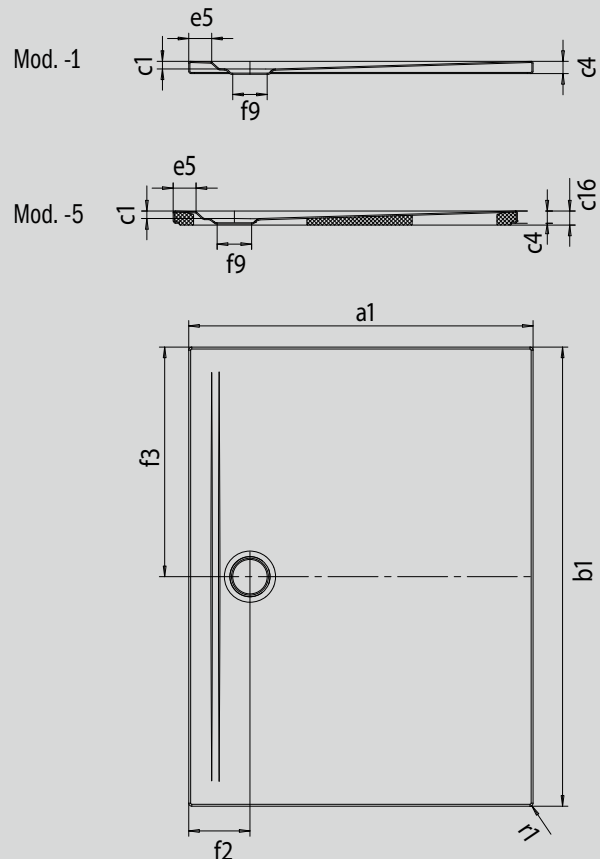
SUPERPLAN ZERO

- accessible from three sides without steps
- waste especially close to the wall and an even slope for a consistently level surface
- generous design, seamless transitions for small and large bathrooms
- clear edges and sharp corner radii for minimum joints and a uniform look
- low installation height for easy, floor-level installation – also for large formats



Similar illustration

Model-1	Total height				Fitting height			
	1534	1536	1538	1540	1534	1536	1538	1540
KA 90 horizontal	100	100	100	100	80	80	80	80
KA 90 flat	80	80	80	80	60	60	60	60
KA 90 vertical	49	49	49	49	80	80	80	80
Model-5	1534	1536	1538	1540	1534	1536	1538	1540
KA 90 horizontal	100	100	100	100	80	80	80	80
KA 90 flat	80	80	80	80	60	60	60	60
KA 90 vertical	37	37	37	37	80	80	80	80



ANTISLIP
SECURE⁺

Model		1534	1536	1538	1540
External length	a_1	1000	700	750	800 mm
External width	b_1	1000	1100	1100	1100 mm
Depth inside	c_1	20	20	20	20 mm
Height of rim	c_4	32	32	32	32 mm
Height with low-profile support	c_{16}	37	37	37	37 mm
Width of rim	e_5	60	60	60	60 mm
Diameter of waste hole	f_9	Ø 90	Ø 90	Ø 90	Ø 90 mm
Distance bath edge to centre of waste hole	$f_2; f_3$	160; 500	160; 550	160; 550	160; 550 mm
External radius	r_1	8	8	8	8 mm
Net weight		26	20	21	23 kg
ANTI-SLIP SECURE PLUS		full base	full base	full base	full base

Subject to technical alterations, tolerances and errors. Similar illustration.

KALDEWEI

	Drain Hole	Model Order No.	Dimensions mm	Colour price groups			GBP
				Alpine White (I)	Sanitary Colours (II, III)	Coord. Colours (IV)	
SUPERPLAN ZERO	Ø 90 mm	1534-1 35340001xxxx	1000 x 1000 x 20	569.00	740.00	626.00	
		1536-1 35360001xxxx	1100 x 700 x 20	755.00	981.00	831.00	
		1538-1 35380001xxxx	1100 x 750 x 20	755.00	981.00	831.00	
		1540-1 35400001xxxx	1100 x 800 x 20	755.00	981.00	831.00	
SUPERPLAN ZERO WITH LOW PROFILE SUPPORT Height with tub support 37 mm	Ø 90 mm	1534-5 35344798xxxx	1000 x 1000 x 20	592.00	768.00	650.00	
		1536-5 35364798xxxx	1100 x 700 x 20	776.00	1,008.00	853.00	
		1538-5 35384798xxxx	1100 x 750 x 20	776.00	1,008.00	853.00	
		1540-5 35404798xxxx	1100 x 800 x 20	776.00	1,008.00	853.00	
OPTIONAL: KALDEWEI PERFECTION SURFACE FINISHES			PRICE	(I)	(II), (III)	(IV)	
EXTRA CHARGE FOR EASY-CLEAN FINISH		xxxxxxx3xxx		82.00	82.00	82.00	
ANTI-SLIP SECURE PLUS Standard-compliant slip resistance (Evaluation group B according to DIN 51097, R10 according to DIN 51130). Fired into the enamel - Slip resistant surface over the entire surface, matt finish only . Cannot be combined with easy-clean finish		xxxxxxx2xxx		165.00		165.00	
OPTIONAL: KALDEWEI PROFESSIONAL INFLOW/OUTFLOW TECHNOLOGY ●¹			PRICE	(I)	(II), (III)	(IV)	
WASTE FITTING KA 90 HORIZONTAL Chrome waste cover, hair catcher included. Universally applicable for FR and ESR. Optional accessories: enamelled waste cover for KA 90		4109 687772600999		110.00			
WASTE FITTING KA 90 FLAT Chrome waste cover, hair catcher included. Universally applicable for FR and ESR. Optional accessories: enamelled waste cover for KA 90		4104 687772540999		117.50			
WASTE FITTING KA 90 VERTICAL Chrome waste cover, hair catcher included. Universally applicable for FR and ESR. Optional accessories: enamelled waste cover for KA 90		4110 687772610999		149.50			
WASTE COVER KA 90 in addition to the fittings 4109, 4104, 4110 enamelled enamelled ANTI-SLIP SECURE PLUS		68777259xxxx 687772592xxx		39.50 39.50	78.50	39.50 39.50	
OPTIONAL: KALDEWEI PROFESSIONAL INSTALLATION ●¹			PRICE	(I)	(II), (III)	(IV)	
ESR FLOOR LEVEL INSTALLATION SYSTEM (FOR -1 MODELS) 1000 x 1000 (actual installation size ESR 1028 x 1028) 1100 x 700 (actual installation size ESR 1128 x 728) 1100 x 750 (actual installation size ESR 1128 x 778) 1100 x 800 (actual installation size ESR 1128 x 828)		640000190000 640000650000 640000260000 640000200000		281.00 281.00 281.00 281.00			
SHOWER TRAY FOOT FRAME FR 5300 Size adjustment up to 1200 x 1200		530000130000		124.50			
CENTRAL SUPPORT SYSTEM MAS 5305 required for shower trays larger than 900 mm		688076530000		25.50			
OPTIONAL: KALDEWEI PROFESSIONAL WATERPROOF ●¹			PRICE	(I)	(II), (III)	(IV)	
SEALING KIT FLOOR-LEVEL		689720490000		143.50			
SEALING KIT FLEX		689720520000		48.50			
CUT PROTECTION TAPE 4,6M for shower surfaces ≤ 1000 x 1200 mm		689720570000		63.50			
OPTIONAL: KALDEWEI SILENCE PLUS ●¹			PRICE	(I)	(II), (III)	(IV)	
SHOWER TRAY SOUND ABSORBING SET DW-ADS		687675720000		34.50			

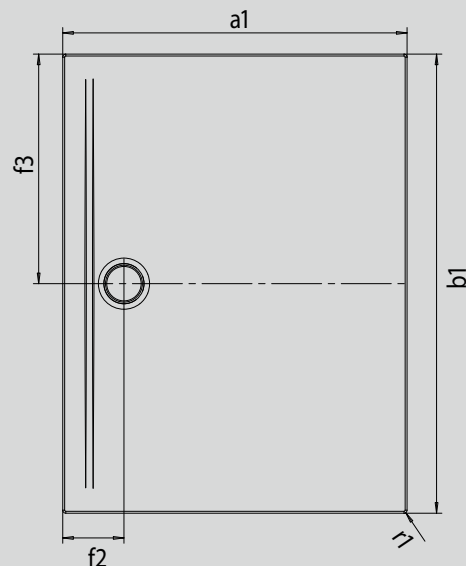
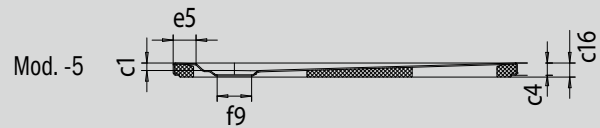
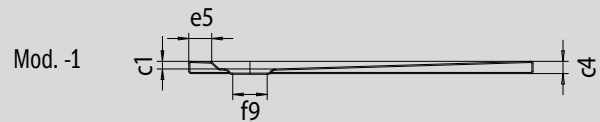
SUPERPLAN ZERO

- accessible from three sides without steps
- waste especially close to the wall and an even slope for a consistently level surface
- generous design, seamless transitions for small and large bathrooms
- clear edges and sharp corner radii for minimum joints and a uniform look
- low installation height for easy, floor-level installation – also for large formats



Similar illustration

Model-1	Total height				Fitting height			
	1542	1544	1546	1548	1542	1544	1546	1548
KA 90 horizontal	100	100	100	100	80	80	80	80
KA 90 flat	80	80	80	80	60	60	60	60
KA 90 vertical	49	49	49	49	80	80	80	80
Model-5	1542	1544	1546	1548	1542	1544	1546	1548
KA 90 horizontal	100	100	100	100	80	80	80	80
KA 90 flat	80	80	80	80	60	60	60	60
KA 90 vertical	37	37	37	37	80	80	80	80



ANTISLIP
SECURE⁺

Model		1542	1544	1546	1548
External length	a_1	900	1000	1100	700 mm
External width	b_1	1100	1100	1100	1200 mm
Depth inside	c_1	20	20	20	20 mm
Height of rim	c_4	32	32	32	32 mm
Height with low-profile support	c_{16}	37	37	37	37 mm
Width of rim	e_5	60	60	60	60 mm
Diameter of waste hole	f_9	Ø 90	Ø 90	Ø 90	Ø 90 mm
Distance bath edge to centre of waste hole	$f_2; f_3$	160; 550	160; 550	160; 550	160; 600 mm
External radius	r_1	8	8	8	8 mm
Net weight		25	28	31	22 kg
ANTI-SLIP SECURE PLUS		full base	full base	full base	full base

Subject to technical alterations, tolerances and errors. Similar illustration.

KALDEWEI

	Drain Hole	Model Order No.	Dimensions mm	Colour price groups			GBP
				Alpine White (I)	Sanitary Colours (II, III)	Coord. Colours (IV)	
SUPERPLAN ZERO	Ø 90 mm	1542-1 36500001xxxx	1100 x 900 x 20	755.00	981.00	831.00	
		1544-1 35440001xxxx	1100 x 1000 x 20	755.00	981.00	831.00	
		1546-1 35460001xxxx	1100 x 1100 x 20	755.00	981.00	831.00	
		1548-1 35480001xxxx	1200 x 700 x 20	755.00	981.00	831.00	
SUPERPLAN ZERO WITH LOW PROFILE SUPPORT Height with tub support 37 mm	Ø 90 mm	1542-5 36504798xxxx	1100 x 900 x 20	776.00	1,008.00	853.00	
		1544-5 35444798xxxx	1100 x 1000 x 20	776.00	1,008.00	853.00	
		1546-5 35464798xxxx	1100 x 1100 x 20	776.00	1,008.00	853.00	
		1548-5 35484798xxxx	1200 x 700 x 20	776.00	1,008.00	853.00	
OPTIONAL: KALDEWEI PERFECTION SURFACE FINISHES			PRICE	(I)	(II), (III)	(IV)	
EXTRA CHARGE FOR EASY-CLEAN FINISH		xxxxxxx3xxx		82.00	82.00	82.00	
ANTI-SLIP SECURE PLUS Standard-compliant slip resistance (Evaluation group B according to DIN 51097, R10 according to DIN 51130). Fired into the enamel – Slip resistant surface over the entire surface, matt finish only . Cannot be combined with easy-clean finish		xxxxxxx2xxx		165.00		165.00	
OPTIONAL: KALDEWEI PROFESSIONAL INFLOW/OUTFLOW TECHNOLOGY ●¹			PRICE	(I)	(II), (III)	(IV)	
WASTE FITTING KA 90 HORIZONTAL Chrome waste cover, hair catcher included. Universally applicable for FR and ESR. Optional accessories: enamelled waste cover for KA 90		4109 687772600999		110.00			
WASTE FITTING KA 90 FLAT Chrome waste cover, hair catcher included. Universally applicable for FR and ESR. Optional accessories: enamelled waste cover for KA 90		4104 687772540999		117.50			
WASTE FITTING KA 90 VERTICAL Chrome waste cover, hair catcher included. Universally applicable for FR and ESR. Optional accessories: enamelled waste cover for KA 90		4110 687772610999		149.50			
WASTE COVER KA 90 in addition to the fittings 4109, 4104, 4110 enamelled enamelled ANTI-SLIP SECURE PLUS		68777259xxxx 687772592xxx		39.50 39.50	78.50	39.50 39.50	
OPTIONAL: KALDEWEI PROFESSIONAL INSTALLATION ●¹			PRICE	(I)	(II), (III)	(IV)	
ESR FLOOR LEVEL INSTALLATION SYSTEM (FOR -1 MODELS) 1100 x 900 (actual installation size ESR 1128 x 928) 1100 x 1000 (actual installation size ESR 1128 x 1028) 1100 x 1100 (actual installation size ESR 1128 x 1128) 1200 x 700 (actual installation size ESR 1228 x 728)		640000210000 640000530000 640000660000 640000220000		281.00 310.00 310.00 310.00			
SHOWER TRAY FOOT FRAME FR 5300 Size adjustment up to 1200 x 1200		530000130000		124.50			
CENTRAL SUPPORT SYSTEM MAS 5305 required for shower trays larger than 900 mm		688076530000		25.50			
OPTIONAL: KALDEWEI PROFESSIONAL WATERPROOF ●¹			PRICE	(I)	(II), (III)	(IV)	
SEALING KIT FLOOR-LEVEL		689720490000		143.50			
SEALING KIT FLEX		689720520000		48.50			
CUT PROTECTION TAPE 4,6M for shower surfaces ≤ 1000 x 1200 mm		689720570000		63.50			
OPTIONAL: KALDEWEI SILENCE PLUS ●¹			PRICE	(I)	(II), (III)	(IV)	
SHOWER TRAY SOUND ABSORBING SET DW-ADS		687675720000		34.50			

SUPERPLAN ZERO

- accessible from three sides without steps
- waste especially close to the wall and an even slope for a consistently level surface
- generous design, seamless transitions for small and large bathrooms
- clear edges and sharp corner radii for minimum joints and a uniform look
- low installation height for easy, floor-level installation – also for large formats



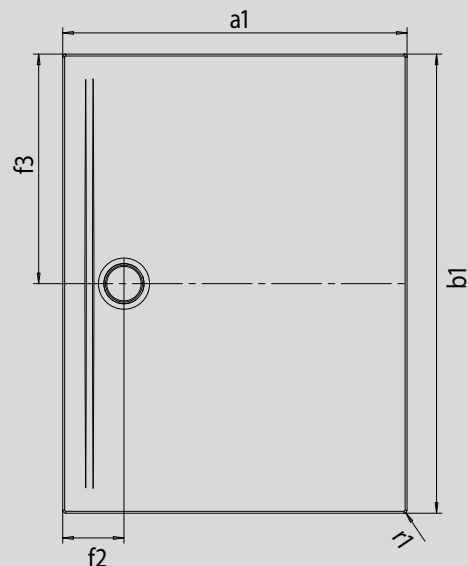
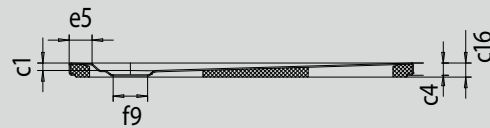
Similar illustration

Model-1	Total height				Fitting height			
	1550	1552	1554	1556	1550	1552	1554	1556
KA 90 horizontal	100	100	100	100	80	80	80	80
KA 90 flat	80	80	80	80	60	60	60	60
KA 90 vertical	49	49	49	49	80	80	80	80
Model-5	1550	1552	1554	1556	1550	1552	1554	1556
KA 90 horizontal	100	100	100	100	80	80	80	80
KA 90 flat	80	80	80	80	60	60	60	60
KA 90 vertical	37	37	37	37	80	80	80	80

Mod. -1



Mod. -5



ANTISLIP
SECURE⁺

Model		1550	1552	1554	1556
External length	a_1	750	800	900	1000 mm
External width	b_1	1200	1200	1200	1200 mm
Depth inside	c_1	20	20	20	20 mm
Height of rim	c_4	32	32	32	32 mm
Height with low-profile support	c_{16}	37	37	37	37 mm
Width of rim	e_5	60	60	60	60 mm
Diameter of waste hole	f_9	Ø 90	Ø 90	Ø 90	Ø 90 mm
Distance bath edge to centre of waste hole	$f_2; f_3$	160; 600	160; 600	160; 600	160; 600 mm
External radius	r_1	8	8	8	8 mm
Net weight		23	25	28	31 kg
ANTI-SLIP SECURE PLUS		full base	full base	full base	full base

Subject to technical alterations, tolerances and errors. Similar illustration.

	Drain Hole	Model Order No.	Dimensions mm	Colour price groups			GBP
				Alpine White (I)	Sanitary Colours (II, III)	Coord. Colours (IV)	
SUPERPLAN ZERO	Ø 90 mm	1550-1 35500001xxxx	1200 x 750 x 20	755.00	981.00	831.00	
		1552-1 35520001xxxx	1200 x 800 x 20	755.00	981.00	831.00	
		1554-1 35540001xxxx	1200 x 900 x 20	755.00	981.00	831.00	
		1556-1 35560001xxxx	1200 x 1000 x 20	755.00	981.00	831.00	
SUPERPLAN ZERO WITH LOW PROFILE SUPPORT Height with tub support 37 mm	Ø 90 mm	1550-5 35504798xxxx	1200 x 750 x 20	776.00	1,008.00	853.00	
		1552-5 35524798xxxx	1200 x 800 x 20	776.00	1,008.00	853.00	
		1554-5 35544798xxxx	1200 x 900 x 20	776.00	1,008.00	853.00	
		1556-5 35564798xxxx	1200 x 1000 x 20	776.00	1,008.00	853.00	
OPTIONAL: KALDEWEI PERFECTION SURFACE FINISHES			PRICE	(I)	(II), (III)	(IV)	
EXTRA CHARGE FOR EASY-CLEAN FINISH		xxxxxxx3xxx		82.00	82.00	82.00	
ANTI-SLIP SECURE PLUS Standard-compliant slip resistance (Evaluation group B according to DIN 51097, R10 according to DIN 51130). Fired into the enamel - Slip resistant surface over the entire surface, matt finish only . Cannot be combined with easy-clean finish		xxxxxxx2xxx		165.00		165.00	
OPTIONAL: KALDEWEI PROFESSIONAL INFLOW/OUTFLOW TECHNOLOGY ●¹			PRICE	(I)	(II), (III)	(IV)	
WASTE FITTING KA 90 HORIZONTAL Chrome waste cover, hair catcher included. Universally applicable for FR and ESR. Optional accessories: enamelled waste cover for KA 90		4109 687772600999		110.00			
WASTE FITTING KA 90 FLAT Chrome waste cover, hair catcher included. Universally applicable for FR and ESR. Optional accessories: enamelled waste cover for KA 90		4104 687772540999		117.50			
WASTE FITTING KA 90 VERTICAL Chrome waste cover, hair catcher included. Universally applicable for FR and ESR. Optional accessories: enamelled waste cover for KA 90		4110 687772610999		149.50			
WASTE COVER KA 90 in addition to the fittings 4109, 4104, 4110 enamelled enamelled ANTI-SLIP SECURE PLUS		68777259xxxx 687772592xxx		39.50 39.50	78.50	39.50 39.50	
OPTIONAL: KALDEWEI PROFESSIONAL INSTALLATION ●¹			PRICE	(I)	(II), (III)	(IV)	
ESR FLOOR LEVEL INSTALLATION SYSTEM (FOR -1 MODELS) 1200 x 750 (actual installation size ESR 1228 x 778) 1200 x 800 (actual installation size ESR 1228 x 828) 1200 x 900 (actual installation size ESR 1228 x 928) 1200 x 1000 (actual installation size ESR 1228 x 1028)		640000230000 640000240000 640000250000 640000270000		310.00 310.00 310.00 310.00			
SHOWER TRAY FOOT FRAME FR 5300 Size adjustment up to 1200 x 1200		530000130000		124.50			
CENTRAL SUPPORT SYSTEM MAS 5305 required for shower trays larger than 900 mm		688076530000		25.50			
OPTIONAL: KALDEWEI PROFESSIONAL WATERPROOF ●¹			PRICE	(I)	(II), (III)	(IV)	
SEALING KIT FLOOR-LEVEL		689720490000		143.50			
SEALING KIT FLEX		689720520000		48.50			
CUT PROTECTION TAPE 4,6M for shower surfaces ≤ 1000 x 1200 mm		689720570000		63.50			
OPTIONAL: KALDEWEI SILENCE PLUS ●¹			PRICE	(I)	(II), (III)	(IV)	
SHOWER TRAY SOUND ABSORBING SET DW-ADS		687675720000		34.50			

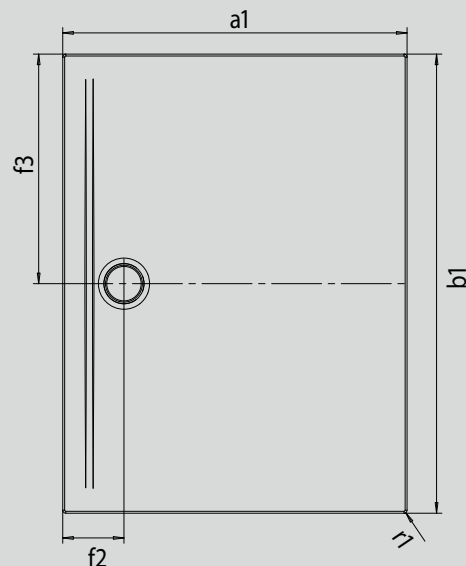
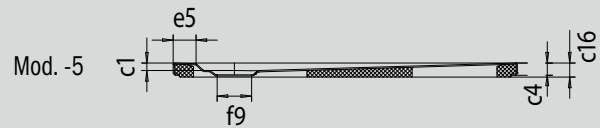
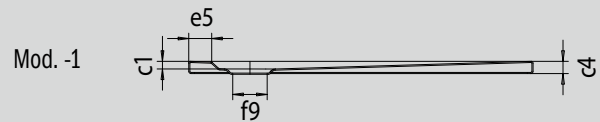
SUPERPLAN ZERO

- accessible from three sides without steps
- waste especially close to the wall and an even slope for a consistently level surface
- generous design, seamless transitions for small and large bathrooms
- clear edges and sharp corner radii for minimum joints and a uniform look
- low installation height for easy, floor-level installation – also for large formats



Similar illustration

Model-1	Total height				Fitting height			
	1558	1560	1562	1564	1558	1560	1562	1564
KA 90 horizontal	100	100	100	100	80	80	80	80
KA 90 flat	80	80	80	80	60	60	60	60
KA 90 vertical	49	49	49	49	80	80	80	80
Model-5	1558	1560	1562	1564	1558	1560	1562	1564
KA 90 horizontal	100	100	100	100	80	80	80	80
KA 90 flat	80	80	80	80	60	60	60	60
KA 90 vertical	37	37	37	37	80	80	80	80



ANTISLIP
SECURE⁺

Model		1558	1560	1562	1564
External length	a_1	1100	1200	700	750 mm
External width	b_1	1200	1200	1300	1300 mm
Depth inside	c_1	20	20	20	20 mm
Height of rim	c_4	32	32	32	32 mm
Height with low-profile support	c_{16}	37	37	37	37 mm
Width of rim	e_5	60	60	60	60 mm
Diameter of waste hole	f_9	Ø 90	Ø 90	Ø 90	Ø 90 mm
Distance bath edge to centre of waste hole	$f_2; f_3$	160; 600	160; 600	160; 650	160; 650 mm
External radius	r_1	8	8	8	8 mm
Net weight		34	37	23	25 kg
ANTI-SLIP SECURE PLUS		full base	full base	full base	full base

Subject to technical alterations, tolerances and errors. Similar illustration.

KALDEWEI

	Drain Hole	Model Order No.	Dimensions mm	Colour price groups			GBP
				Alpine White (I)	Sanitary Colours (II, III)	Coord. Colours (IV)	
SUPERPLAN ZERO	Ø 90 mm	1558-1 35580001xxxx	1200 x 1100 x 20	755.00	981.00	831.00	
		1560-1 35600001xxxx	1200 x 1200 x 20	755.00	981.00	831.00	
		1562-1 35620001xxxx	1300 x 700 x 20	779.00	1,011.00	856.00	
		1564-1 35640001xxxx	1300 x 750 x 20	779.00	1,011.00	856.00	
SUPERPLAN ZERO WITH LOW PROFILE SUPPORT Height with tub support 37 mm	Ø 90 mm	1558-5 35584798xxxx	1200 x 1100 x 20	776.00	1,008.00	853.00	
		1560-5 35604798xxxx	1200 x 1200 x 20	776.00	1,008.00	853.00	
		1562-5 35624798xxxx	1300 x 700 x 20	806.00	1,047.00	887.00	
		1564-5 35644798xxxx	1300 x 750 x 20	806.00	1,047.00	887.00	
OPTIONAL: KALDEWEI PERFECTION SURFACE FINISHES			PRICE	(I)	(II), (III)	(IV)	
EXTRA CHARGE FOR EASY-CLEAN FINISH		xxxxxxx3xxx		82.00	82.00	82.00	
ANTI-SLIP SECURE PLUS Standard-compliant slip resistance (Evaluation group B according to DIN 51097, R10 according to DIN 51130). Fired into the enamel – Slip resistant surface over the entire surface, matt finish only . Cannot be combined with easy-clean finish		xxxxxxx2xxx		165.00		165.00	
OPTIONAL: KALDEWEI PROFESSIONAL INFLOW/OUTFLOW TECHNOLOGY ●¹			PRICE	(I)	(II), (III)	(IV)	
WASTE FITTING KA 90 HORIZONTAL Chrome waste cover, hair catcher included. Universally applicable for FR and ESR. Optional accessories: enamelled waste cover for KA 90		4109 687772600999		110.00			
WASTE FITTING KA 90 FLAT Chrome waste cover, hair catcher included. Universally applicable for FR and ESR. Optional accessories: enamelled waste cover for KA 90		4104 687772540999		117.50			
WASTE FITTING KA 90 VERTICAL Chrome waste cover, hair catcher included. Universally applicable for FR and ESR. Optional accessories: enamelled waste cover for KA 90		4110 687772610999		149.50			
WASTE COVER KA 90 in addition to the fittings 4109, 4104, 4110 enamelled enamelled ANTI-SLIP SECURE PLUS		68777259xxxx 687772592xxx		39.50 39.50	78.50	39.50 39.50	
OPTIONAL: KALDEWEI PROFESSIONAL INSTALLATION ●¹			PRICE	(I)	(II), (III)	(IV)	
ESR FLOOR LEVEL INSTALLATION SYSTEM (FOR -1 MODELS) 1200 x 1100 (actual installation size ESR 1228 x 1128) 1200 x 1200 (actual installation size ESR 1228 x 1228) 1300 x 700 (actual installation size ESR 1328 x 728) 1300 x 750 (actual installation size ESR 1328 x 778)		640000630000 640000280000 640000670000 640000640000		310.00 310.00 370.00 370.00			
SHOWER TRAY FOOT FRAME FR 5300 Size adjustment up to 1200 x 1200 Size adjustment up to 1800 x 1500		530000130000 530000140000		124.50 177.00			
CENTRAL SUPPORT SYSTEM MAS 5305 required for shower trays larger than 900 mm		688076530000		25.50			
OPTIONAL: KALDEWEI PROFESSIONAL WATERPROOF ●¹			PRICE	(I)	(II), (III)	(IV)	
SEALING KIT FLOOR-LEVEL		689720490000		143.50			
SEALING KIT FLEX		689720520000		48.50			
CUT PROTECTION TAPE 4,6M for shower surfaces ≤ 1000 x 1200 mm		689720570000		63.50			
CUT PROTECTION TAPE 6,6M for shower surfaces > 1000 x 1200 mm		689720580000		91.50			
OPTIONAL: KALDEWEI SILENCE PLUS ●¹			PRICE	(I)	(II), (III)	(IV)	
SHOWER TRAY SOUND ABSORBING SET DW-ADS		687675720000		34.50			



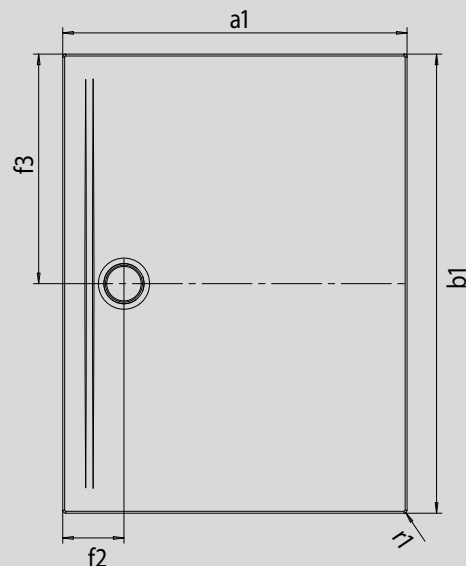
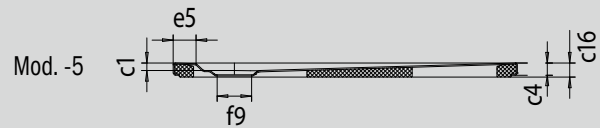
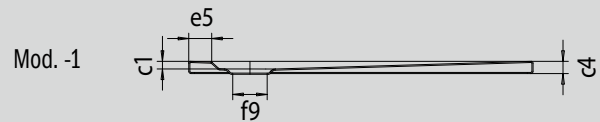
SUPERPLAN ZERO

- accessible from three sides without steps
- waste especially close to the wall and an even slope for a consistently level surface
- generous design, seamless transitions for small and large bathrooms
- clear edges and sharp corner radii for minimum joints and a uniform look
- low installation height for easy, floor-level installation – also for large formats



Similar illustration

Model-1	Total height				Fitting height			
	1566	1568	1570	1572	1566	1568	1570	1572
KA 90 horizontal	100	100	100	100	80	80	80	80
KA 90 flat	80	80	80	80	60	60	60	60
KA 90 vertical	49	49	49	49	80	80	80	80
Model-5	1566	1568	1570	1572	1566	1568	1570	1572
KA 90 horizontal	100	100	100	100	80	80	80	80
KA 90 flat	80	80	80	80	60	60	60	60
KA 90 vertical	37	37	37	37	80	80	80	80



ANTISLIP
SECURE⁺

Model		1566	1568	1570	1572
External length	a_1	800	900	1000	700 mm
External width	b_1	1300	1300	1300	1400 mm
Depth inside	c_1	20	20	20	20 mm
Height of rim	c_4	32	32	32	32 mm
Height with low-profile support	c_{16}	37	37	37	37 mm
Width of rim	e_5	60	60	60	60 mm
Diameter of waste hole	f_9	Ø 90	Ø 90	Ø 90	Ø 90 mm
Distance bath edge to centre of waste hole	$f_2; f_3$	160; 650	160; 650	160; 650	160; 700 mm
External radius	r_1	8	8	8	8 mm
Net weight		27	30	33	25 kg
ANTI-SLIP SECURE PLUS		full base	full base	full base	full base

Subject to technical alterations, tolerances and errors. Similar illustration.

KALDEWEI

	Drain Hole	Model Order No.	Dimensions mm	Colour price groups			GBP
				Alpine White (I)	Sanitary Colours (II, III)	Coord. Colours (IV)	
SUPERPLAN ZERO	Ø 90 mm	1566-1 35660001xxxx	1300 x 800 x 20	779.00	1,011.00	856.00	
		1568-1 35680001xxxx	1300 x 900 x 20	779.00	1,011.00	856.00	
		1570-1 35700001xxxx	1300 x 1000 x 20	779.00	1,011.00	856.00	
		1572-1 35720001xxxx	1400 x 700 x 20	779.00	1,011.00	856.00	
SUPERPLAN ZERO WITH LOW PROFILE SUPPORT Height with tub support 37 mm	Ø 90 mm	1566-5 35664798xxxx	1300 x 800 x 20	806.00	1,047.00	887.00	
		1568-5 35684798xxxx	1300 x 900 x 20	806.00	1,047.00	887.00	
		1570-5 35704798xxxx	1300 x 1000 x 20	806.00	1,047.00	887.00	
		1572-5 35724798xxxx	1400 x 700 x 20	806.00	1,047.00	887.00	
OPTIONAL: KALDEWEI PERFECTION SURFACE FINISHES			PRICE	(I)	(II), (III)	(IV)	
EXTRA CHARGE FOR EASY-CLEAN FINISH		xxxxxxx3xxx		82.00	82.00	82.00	
ANTI-SLIP SECURE PLUS Standard-compliant slip resistance (Evaluation group B according to DIN 51097, R10 according to DIN 51130). Fired into the enamel - Slip resistant surface over the entire surface, matt finish only . Cannot be combined with easy-clean finish		xxxxxxx2xxx		165.00		165.00	
OPTIONAL: KALDEWEI PROFESSIONAL INFLOW/OUTFLOW TECHNOLOGY ●¹			PRICE	(I)	(II), (III)	(IV)	
WASTE FITTING KA 90 HORIZONTAL Chrome waste cover, hair catcher included. Universally applicable for FR and ESR. Optional accessories: enamelled waste cover for KA 90		4109 687772600999		110.00			
WASTE FITTING KA 90 FLAT Chrome waste cover, hair catcher included. Universally applicable for FR and ESR. Optional accessories: enamelled waste cover for KA 90		4104 687772540999		117.50			
WASTE FITTING KA 90 VERTICAL Chrome waste cover, hair catcher included. Universally applicable for FR and ESR. Optional accessories: enamelled waste cover for KA 90		4110 687772610999		149.50			
WASTE COVER KA 90 in addition to the fittings 4109, 4104, 4110 enamelled enamelled ANTI-SLIP SECURE PLUS		68777259xxxx 687772592xxx		39.50 39.50	78.50	39.50 39.50	
OPTIONAL: KALDEWEI PROFESSIONAL INSTALLATION ●¹			PRICE	(I)	(II), (III)	(IV)	
ESR FLOOR LEVEL INSTALLATION SYSTEM (FOR -1 MODELS) 1300 x 800 (actual installation size ESR 1328 x 828) 1300 x 900 (actual installation size ESR 1328 x 928) 1300 x 1000 (actual installation size ESR 1328 x 1028) 1400 x 700 (actual installation size ESR 1428 x 728)		640000290000 640000300000 640000310000 640000320000		370.00 370.00 370.00 370.00			
SHOWER TRAY FOOT FRAME FR 5300 Size adjustment up to 1800 x 1500		530000140000		177.00			
CENTRAL SUPPORT SYSTEM MAS 5305 required for shower trays larger than 900 mm		688076530000		25.50			
OPTIONAL: KALDEWEI PROFESSIONAL WATERPROOF ●¹			PRICE	(I)	(II), (III)	(IV)	
SEALING KIT FLOOR-LEVEL		689720490000		143.50			
SEALING KIT FLEX		689720520000		48.50			
CUT PROTECTION TAPE 4,6M for shower surfaces ≤ 1000 x 1200 mm		689720570000		63.50			
CUT PROTECTION TAPE 6,6M for shower surfaces > 1000 x 1200 mm		689720580000		91.50			
OPTIONAL: KALDEWEI SILENCE PLUS ●¹			PRICE	(I)	(II), (III)	(IV)	
SHOWER TRAY SOUND ABSORBING SET DW-ADS		687675720000		34.50			

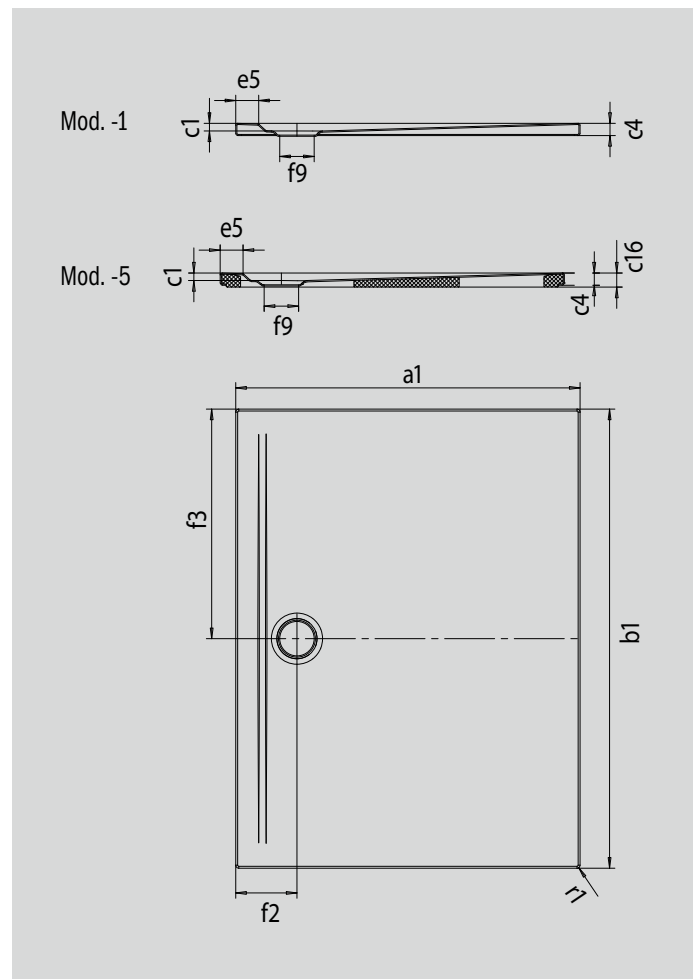
SUPERPLAN ZERO

- accessible from three sides without steps
- waste especially close to the wall and an even slope for a consistently level surface
- generous design, seamless transitions for small and large bathrooms
- clear edges and sharp corner radii for minimum joints and a uniform look
- low installation height for easy, floor-level installation – also for large formats



Similar illustration

Model-1	Total height				Fitting height			
	1574	1576	1578	1580	1574	1576	1578	1580
KA 90 horizontal	100	100	100	100	80	80	80	80
KA 90 flat	80	80	80	80	60	60	60	60
KA 90 vertical	49	49	49	49	80	80	80	80
Model-5	1574	1576	1578	1580	1574	1576	1578	1580
KA 90 horizontal	100	100	100	100	80	80	80	80
KA 90 flat	80	80	80	80	60	60	60	60
KA 90 vertical	37	37	37	37	80	80	80	80



ANTISLIP
SECURE

Model		1574	1576	1578	1580
External length	a_1	750	800	900	1000 mm
External width	b_1	1400	1400	1400	1400 mm
Depth inside	c_1	20	20	20	20 mm
Height of rim	c_4	32	32	32	32 mm
Height with low-profile support	c_{16}	37	37	37	37 mm
Width of rim	e_5	60	60	60	60 mm
Diameter of waste hole	f_9	Ø 90	Ø 90	Ø 90	Ø 90 mm
Distance bath edge to centre of waste hole	$f_2; f_3$	160; 700	160; 700	160; 700	160; 700 mm
External radius	r_1	8	8	8	8 mm
Net weight		27	29	32	36 kg
ANTI-SLIP SECURE PLUS		full base	full base	full base	full base

Subject to technical alterations, tolerances and errors. Similar illustration.

	Drain Hole	Model Order No.	Dimensions mm	Colour price groups			GBP
				Alpine White (I)	Sanitary Colours (II, III)	Coord. Colours (IV)	
SUPERPLAN ZERO	Ø 90 mm	1574-1 35740001xxxx	1400 x 750 x 20	779.00	1,011.00	856.00	
		1576-1 35760001xxxx	1400 x 800 x 20	779.00	1,011.00	856.00	
		1578-1 35780001xxxx	1400 x 900 x 20	779.00	1,011.00	856.00	
		1580-1 35800001xxxx	1400 x 1000 x 20	779.00	1,011.00	856.00	
SUPERPLAN ZERO WITH LOW PROFILE SUPPORT Height with tub support 37 mm	Ø 90 mm	1574-5 35744798xxxx	1400 x 750 x 20	806.00	1,047.00	887.00	
		1576-5 35764798xxxx	1400 x 800 x 20	806.00	1,047.00	887.00	
		1578-5 35784798xxxx	1400 x 900 x 20	806.00	1,047.00	887.00	
		1580-5 35804798xxxx	1400 x 1000 x 20	806.00	1,047.00	887.00	
OPTIONAL: KALDEWEI PERFECTION SURFACE FINISHES			PRICE	(I)	(II), (III)	(IV)	
EXTRA CHARGE FOR EASY-CLEAN FINISH		xxxxxxx3xxx		82.00	82.00	82.00	
ANTI-SLIP SECURE PLUS Standard-compliant slip resistance (Evaluation group B according to DIN 51097, R10 according to DIN 51130). Fired into the enamel - Slip resistant surface over the entire surface, matt finish only . Cannot be combined with easy-clean finish		xxxxxxx2xxx		165.00		165.00	
OPTIONAL: KALDEWEI PROFESSIONAL INFLOW/OUTFLOW TECHNOLOGY ●¹			PRICE	(I)	(II), (III)	(IV)	
WASTE FITTING KA 90 HORIZONTAL Chrome waste cover, hair catcher included. Universally applicable for FR and ESR. Optional accessories: enamelled waste cover for KA 90		4109 687772600999		110.00			
WASTE FITTING KA 90 FLAT Chrome waste cover, hair catcher included. Universally applicable for FR and ESR. Optional accessories: enamelled waste cover for KA 90		4104 687772540999		117.50			
WASTE FITTING KA 90 VERTICAL Chrome waste cover, hair catcher included. Universally applicable for FR and ESR. Optional accessories: enamelled waste cover for KA 90		4110 687772610999		149.50			
WASTE COVER KA 90 in addition to the fittings 4109, 4104, 4110 enamelled enamelled ANTI-SLIP SECURE PLUS		68777259xxxx 687772592xxx		39.50 39.50	78.50	39.50 39.50	
OPTIONAL: KALDEWEI PROFESSIONAL INSTALLATION ●¹			PRICE	(I)	(II), (III)	(IV)	
ESR FLOOR LEVEL INSTALLATION SYSTEM (FOR -1 MODELS) 1400 x 750 (actual installation size ESR 1428 x 778) 1400 x 800 (actual installation size ESR 1428 x 828) 1400 x 900 (actual installation size ESR 1428 x 928) 1400 x 1000 (actual installation size ESR 1428 x 1028)		640000330000 640000340000 640000350000 640000360000		370.00 370.00 370.00 370.00			
SHOWER TRAY FOOT FRAME FR 5300 Size adjustment up to 1800 x 1500		530000140000		177.00			
CENTRAL SUPPORT SYSTEM MAS 5305 required for shower trays larger than 900 mm		688076530000		25.50			
OPTIONAL: KALDEWEI PROFESSIONAL WATERPROOF ●¹			PRICE	(I)	(II), (III)	(IV)	
SEALING KIT FLOOR-LEVEL		689720490000		143.50			
SEALING KIT FLEX		689720520000		48.50			
CUT PROTECTION TAPE 4,6M for shower surfaces ≤ 1000 x 1200 mm		689720570000		63.50			
CUT PROTECTION TAPE 6,6M for shower surfaces > 1000 x 1200 mm		689720580000		91.50			
OPTIONAL: KALDEWEI SILENCE PLUS ●¹			PRICE	(I)	(II), (III)	(IV)	
SHOWER TRAY SOUND ABSORBING SET DW-ADS		687675720000		34.50			

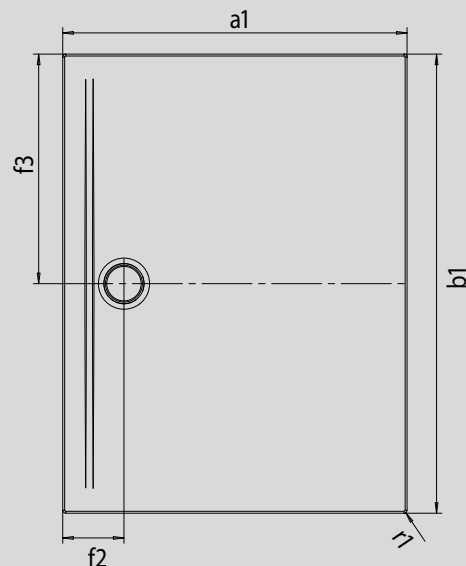
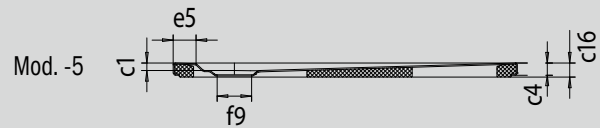
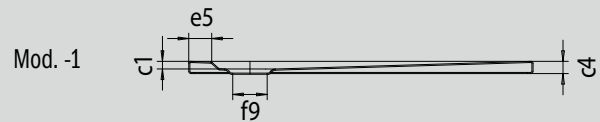
SUPERPLAN ZERO

- accessible from three sides without steps
- waste especially close to the wall and an even slope for a consistently level surface
- generous design, seamless transitions for small and large bathrooms
- clear edges and sharp corner radii for minimum joints and a uniform look
- low installation height for easy, floor-level installation – also for large formats



Similar illustration

Model-1	Total height				Fitting height			
	1582	1584	1586	1588	1582	1584	1586	1588
KA 90 horizontal	100	100	100	100	80	80	80	80
KA 90 flat	80	80	80	80	60	60	60	60
KA 90 vertical	49	49	49	49	80	80	80	80
Model-5	1582	1584	1586	1588	1582	1584	1586	1588
KA 90 horizontal	100	100	100	100	80	80	80	80
KA 90 flat	80	80	80	80	60	60	60	60
KA 90 vertical	37	37	37	37	80	80	80	80



ANTISLIP
SECURE

Model		1582	1584	1586	1588
External length	a_1	700	750	800	900 mm
External width	b_1	1500	1500	1500	1500 mm
Depth inside	c_1	20	20	20	20 mm
Height of rim	c_4	32	32	32	32 mm
Height with low-profile support	c_{16}	37	37	37	37 mm
Width of rim	e_5	60	60	60	60 mm
Diameter of waste hole	f_9	Ø 90	Ø 90	Ø 90	Ø 90 mm
Distance bath edge to centre of waste hole	$f_2; f_3$	160; 750	160; 750	160; 750	160; 750 mm
External radius	r_1	8	8	8	8 mm
Net weight		27	29	31	35 kg
ANTI-SLIP SECURE PLUS		full base	full base	full base	full base

Subject to technical alterations, tolerances and errors. Similar illustration.

	Drain Hole	Model Order No.	Dimensions mm	Colour price groups			GBP
				Alpine White (I)	Sanitary Colours (II, III)	Coord. Colours (IV)	
SUPERPLAN ZERO	Ø 90 mm	1582-1 35820001xxxx	1500 x 700 x 20	779.00	1,011.00	856.00	
		1584-1 35840001xxxx	1500 x 750 x 20	779.00	1,011.00	856.00	
		1586-1 35860001xxxx	1500 x 800 x 20	779.00	1,011.00	856.00	
		1588-1 35880001xxxx	1500 x 900 x 20	779.00	1,011.00	856.00	
SUPERPLAN ZERO WITH LOW PROFILE SUPPORT Height with tub support 37 mm	Ø 90 mm	1582-5 35824798xxxx	1500 x 700 x 20	806.00	1,047.00	887.00	
		1584-5 35844798xxxx	1500 x 750 x 20	806.00	1,047.00	887.00	
		1586-5 35864798xxxx	1500 x 800 x 20	806.00	1,047.00	887.00	
		1588-5 35884798xxxx	1500 x 900 x 20	806.00	1,047.00	887.00	
OPTIONAL: KALDEWEI PERFECTION SURFACE FINISHES			PRICE	(I)	(II), (III)	(IV)	
EXTRA CHARGE FOR EASY-CLEAN FINISH		xxxxxxx3xxx		82.00	82.00	82.00	
ANTI-SLIP SECURE PLUS Standard-compliant slip resistance (Evaluation group B according to DIN 51097, R10 according to DIN 51130). Fired into the enamel - Slip resistant surface over the entire surface, matt finish only . Cannot be combined with easy-clean finish		xxxxxxx2xxx		165.00		165.00	
OPTIONAL: KALDEWEI PROFESSIONAL INFLOW/OUTFLOW TECHNOLOGY •¹			PRICE	(I)	(II), (III)	(IV)	
WASTE FITTING KA 90 HORIZONTAL Chrome waste cover, hair catcher included. Universally applicable for FR and ESR. Optional accessories: enamelled waste cover for KA 90		4109 687772600999		110.00			
WASTE FITTING KA 90 FLAT Chrome waste cover, hair catcher included. Universally applicable for FR and ESR. Optional accessories: enamelled waste cover for KA 90		4104 687772540999		117.50			
WASTE FITTING KA 90 VERTICAL Chrome waste cover, hair catcher included. Universally applicable for FR and ESR. Optional accessories: enamelled waste cover for KA 90		4110 687772610999		149.50			
WASTE COVER KA 90 in addition to the fittings 4109, 4104, 4110 enamelled enamelled ANTI-SLIP SECURE PLUS		68777259xxxx 687772592xxx		39.50 39.50	78.50	39.50 39.50	
OPTIONAL: KALDEWEI PROFESSIONAL INSTALLATION •¹			PRICE	(I)	(II), (III)	(IV)	
ESR FLOOR LEVEL INSTALLATION SYSTEM (FOR -1 MODELS) 1500 x 700 (actual installation size ESR 1528 x 728) 1500 x 750 (actual installation size ESR 1528 x 778) 1500 x 800 (actual installation size ESR 1528 x 828) 1500 x 900 (actual installation size ESR 1528 x 928)		640000370000 640000380000 640000540000 640000390000		506.00 506.00 506.00 506.00			
SHOWER TRAY FOOT FRAME FR 5300 Size adjustment up to 1800 x 1500		530000140000		177.00			
CENTRAL SUPPORT SYSTEM MAS 5305 required for shower trays larger than 900 mm		688076530000		25.50			
OPTIONAL: KALDEWEI PROFESSIONAL WATERPROOF •¹			PRICE	(I)	(II), (III)	(IV)	
SEALING KIT FLOOR-LEVEL		689720490000		143.50			
SEALING KIT FLEX		689720520000		48.50			
CUT PROTECTION TAPE 4,6M for shower surfaces ≤ 1000 x 1200 mm		689720570000		63.50			
CUT PROTECTION TAPE 6,6M for shower surfaces > 1000 x 1200 mm		689720580000		91.50			
OPTIONAL: KALDEWEI SILENCE PLUS •¹			PRICE	(I)	(II), (III)	(IV)	
SHOWER TRAY SOUND ABSORBING SET DW-ADS		687675720000		34.50			

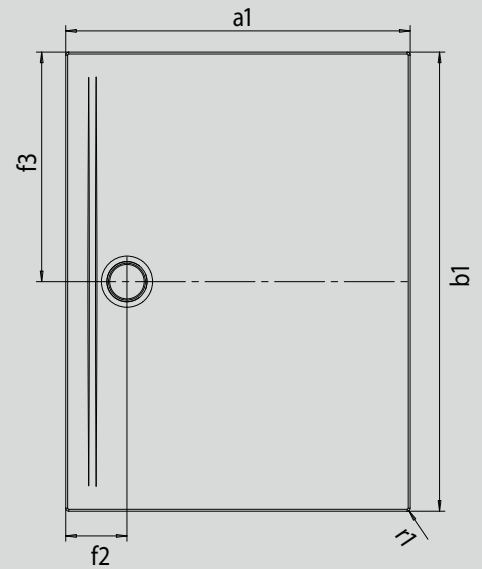
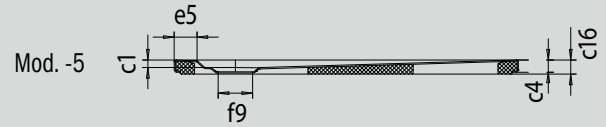
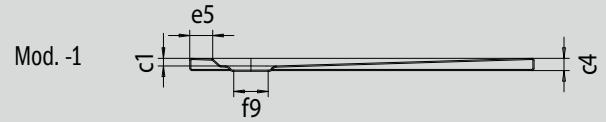
SUPERPLAN ZERO

- accessible from three sides without steps
- waste especially close to the wall and an even slope for a consistently level surface
- generous design, seamless transitions for small and large bathrooms
- clear edges and sharp corner radii for minimum joints and a uniform look
- low installation height for easy, floor-level installation – also for large formats



Similar illustration

Model-1	Total height				Fitting height			
	1590	1592	1594	1596	1590	1592	1594	1596
KA 90 horizontal	100	100	100	100	80	80	80	80
KA 90 flat	80	80	80	80	60	60	60	60
KA 90 vertical	49	49	49	49	80	80	80	80
Model-5	1590	1592	1594	1596	1590	1592	1594	1596
KA 90 horizontal	100	100	100	100	80	80	80	80
KA 90 flat	80	80	80	80	60	60	60	60
KA 90 vertical	37	37	37	37	80	80	80	80



ANTISLIP
SECURE⁺

Model		1590	1592	1594	1596
External length	a_1	1000	1500	700	750 mm
External width	b_1	1500	1500	1600	1600 mm
Depth inside	c_1	20	20	20	20 mm
Height of rim	c_4	32	32	32	32 mm
Height with low-profile support	c_{16}	37	37	37	37 mm
Width of rim	e_5	60	60	60	60 mm
Diameter of waste hole	f_9	Ø 90	Ø 90	Ø 90	Ø 90 mm
Distance bath edge to centre of waste hole	$f_2; f_3$	160; 750	160; 750	160; 800	160; 800 mm
External radius	r_1	8	8	8	8 mm
Net weight		39	58	29	31 kg
ANTI-SLIP SECURE PLUS		full base	full base	full base	full base

Subject to technical alterations, tolerances and errors. Similar illustration.

	Drain Hole	Model Order No.	Dimensions mm	Colour price groups			GBP
				Alpine White (I)	Sanitary Colours (II, III)	Coord. Colours (IV)	
SUPERPLAN ZERO	Ø 90 mm	1590-1 35900001xxxx	1500 x 1000 x 20	779.00	1,011.00	856.00	
		1592-1 35920001xxxx	1500 x 1500 x 20	779.00	1,011.00	856.00	
		1594-1 35940001xxxx	1600 x 700 x 20	845.00	1,099.00	929.00	
		1596-1 35960001xxxx	1600 x 750 x 20	845.00	1,099.00	929.00	
SUPERPLAN ZERO WITH LOW PROFILE SUPPORT Height with tub support 37 mm	Ø 90 mm	1590-5 35904798xxxx	1500 x 1000 x 20	806.00	1,047.00	887.00	
		1592-5 35924798xxxx	1500 x 1500 x 20	806.00	1,047.00	887.00	
		1594-5 35944798xxxx	1600 x 700 x 20	882.00	1,146.00	970.00	
		1596-5 35964798xxxx	1600 x 750 x 20	882.00	1,146.00	970.00	
OPTIONAL: KALDEWEI PERFECTION SURFACE FINISHES			PRICE	(I)	(II), (III)	(IV)	
EXTRA CHARGE FOR EASY-CLEAN FINISH		xxxxxxx3xxx		82.00	82.00	82.00	
ANTI-SLIP SECURE PLUS Standard-compliant slip resistance (Evaluation group B according to DIN 51097, R10 according to DIN 51130). Fired into the enamel - Slip resistant surface over the entire surface, matt finish only . Cannot be combined with easy-clean finish		xxxxxxx2xxx		165.00		165.00	
OPTIONAL: KALDEWEI PROFESSIONAL INFLOW/OUTFLOW TECHNOLOGY ●¹			PRICE	(I)	(II), (III)	(IV)	
WASTE FITTING KA 90 HORIZONTAL Chrome waste cover, hair catcher included. Universally applicable for FR and ESR. Optional accessories: enamelled waste cover for KA 90		4109 687772600999		110.00			
WASTE FITTING KA 90 FLAT Chrome waste cover, hair catcher included. Universally applicable for FR and ESR. Optional accessories: enamelled waste cover for KA 90		4104 687772540999		117.50			
WASTE FITTING KA 90 VERTICAL Chrome waste cover, hair catcher included. Universally applicable for FR and ESR. Optional accessories: enamelled waste cover for KA 90		4110 687772610999		149.50			
WASTE COVER KA 90 in addition to the fittings 4109, 4104, 4110 enamelled enamelled ANTI-SLIP SECURE PLUS		68777259xxxx 687772592xxx		39.50 39.50	78.50	39.50 39.50	
OPTIONAL: KALDEWEI PROFESSIONAL INSTALLATION ●¹			PRICE	(I)	(II), (III)	(IV)	
ESR FLOOR LEVEL INSTALLATION SYSTEM (FOR -1 MODELS) 1500 x 1000 (actual installation size ESR 1528 x 1028) 1500 x 1500 (actual installation size ESR 1528 x 1528) 1600 x 700 (actual installation size ESR 1628 x 728) 1600 x 750 (actual installation size ESR 1628 x 778)		640000400000 640000410000 640000420000 640000430000		506.00 506.00 506.00 506.00			
SHOWER TRAY FOOT FRAME FR 5300 Size adjustment up to 1800 x 1500		530000140000		177.00			
CENTRAL SUPPORT SYSTEM MAS 5305 required for shower trays larger than 900 mm		688076530000		25.50			
OPTIONAL: KALDEWEI PROFESSIONAL WATERPROOF ●¹			PRICE	(I)	(II), (III)	(IV)	
SEALING KIT FLOOR-LEVEL		689720490000		143.50			
SEALING KIT FLEX		689720520000		48.50			
CUT PROTECTION TAPE 6,6M for shower surfaces > 1000 x 1200 mm		689720580000		91.50			
OPTIONAL: KALDEWEI SILENCE PLUS ●¹			PRICE	(I)	(II), (III)	(IV)	
SHOWER TRAY SOUND ABSORBING SET DW-ADS		687675720000		34.50			

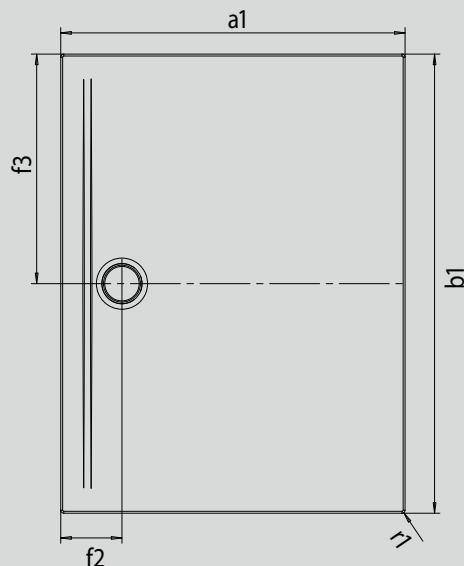
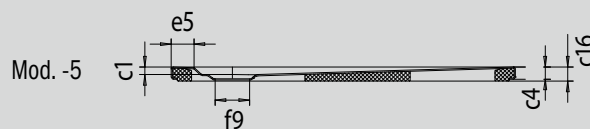
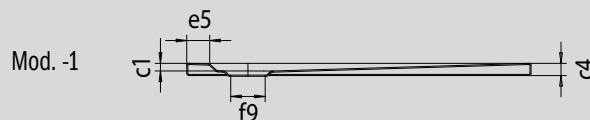
SUPERPLAN ZERO

- accessible from three sides without steps
- waste especially close to the wall and an even slope for a consistently level surface
- generous design, seamless transitions for small and large bathrooms
- clear edges and sharp corner radii for minimum joints and a uniform look
- low installation height for easy, floor-level installation – also for large formats



Similar illustration

Model-1	Total height				Fitting height			
	1598	1600	1602	1604	1598	1600	1602	1604
KA 90 horizontal	100	100	100	100	80	80	80	80
KA 90 flat	80	80	80	80	60	60	60	60
KA 90 vertical	49	49	49	49	80	80	80	80
Model-5	1598	1600	1602	1604	1598	1600	1602	1604
KA 90 horizontal	100	100	100	100	80	80	80	80
KA 90 flat	80	80	80	80	60	60	60	60
KA 90 vertical	37	37	37	37	80	80	80	80



ANTISLIP
SECURE

Model		1598	1600	1602	1604
External length	a_1	800	900	1000	700 mm
External width	b_1	1600	1600	1600	1700 mm
Depth inside	c_1	20	20	20	20 mm
Height of rim	c_4	32	32	32	32 mm
Height with low-profile support	c_{16}	37	37	37	37 mm
Width of rim	e_5	60	60	60	60 mm
Diameter of waste hole	f_9	Ø 90	Ø 90	Ø 90	Ø 90 mm
Distance bath edge to centre of waste hole	$f_2; f_3$	160; 800	160; 800	160; 800	160; 850 mm
External radius	r_1	8	8	8	8 mm
Net weight		32	37	41	31 kg
ANTI-SLIP SECURE PLUS		full base	full base	full base	full base

Subject to technical alterations, tolerances and errors. Similar illustration.

KALDEWEI

	Drain Hole	Model Order No.	Dimensions mm	Colour price groups			GBP
				Alpine White (I)	Sanitary Colours (II, III)	Coord. Colours (IV)	
SUPERPLAN ZERO	Ø 90 mm	1598-1 35980001xxxx	1600 x 800 x 20	845.00	1,099.00	929.00	
		1600-1 36000001xxxx	1600 x 900 x 20	845.00	1,099.00	929.00	
		1602-1 36020001xxxx	1600 x 1000 x 20	845.00	1,099.00	929.00	
		1604-1 36040001xxxx	1700 x 700 x 20	845.00	1,099.00	929.00	
SUPERPLAN ZERO WITH LOW PROFILE SUPPORT Height with tub support 37 mm	Ø 90 mm	1598-5 35984798xxxx	1600 x 800 x 20	882.00	1,146.00	970.00	
		1600-5 36004798xxxx	1600 x 900 x 20	882.00	1,146.00	970.00	
		1602-5 36024798xxxx	1600 x 1000 x 20	882.00	1,146.00	970.00	
		1604-5 36044798xxxx	1700 x 700 x 20	882.00	1,146.00	970.00	
OPTIONAL: KALDEWEI PERFECTION SURFACE FINISHES			PRICE	(I)	(II), (III)	(IV)	
EXTRA CHARGE FOR EASY-CLEAN FINISH		xxxxxxx3xxx		82.00	82.00	82.00	
ANTI-SLIP SECURE PLUS Standard-compliant slip resistance (Evaluation group B according to DIN 51097, R10 according to DIN 51130). Fired into the enamel - Slip resistant surface over the entire surface, matt finish only . Cannot be combined with easy-clean finish		xxxxxxx2xxx		165.00		165.00	
OPTIONAL: KALDEWEI PROFESSIONAL INFLOW/OUTFLOW TECHNOLOGY ●¹			PRICE	(I)	(II), (III)	(IV)	
WASTE FITTING KA 90 HORIZONTAL Chrome waste cover, hair catcher included. Universally applicable for FR and ESR. Optional accessories: enamelled waste cover for KA 90		4109 687772600999		110.00			
WASTE FITTING KA 90 FLAT Chrome waste cover, hair catcher included. Universally applicable for FR and ESR. Optional accessories: enamelled waste cover for KA 90		4104 687772540999		117.50			
WASTE FITTING KA 90 VERTICAL Chrome waste cover, hair catcher included. Universally applicable for FR and ESR. Optional accessories: enamelled waste cover for KA 90		4110 687772610999		149.50			
WASTE COVER KA 90 in addition to the fittings 4109, 4104, 4110 enamelled enamelled ANTI-SLIP SECURE PLUS		68777259xxxx 687772592xxx		39.50 39.50	78.50	39.50 39.50	
OPTIONAL: KALDEWEI PROFESSIONAL INSTALLATION ●¹			PRICE	(I)	(II), (III)	(IV)	
ESR FLOOR LEVEL INSTALLATION SYSTEM (FOR -1 MODELS) 1600 x 800 (actual installation size ESR 1628 x 828) 1600 x 900 (actual installation size ESR 1628 x 928) 1600 x 1000 (actual installation size ESR 1628 x 1028) 1700 x 700 (actual installation size ESR 1728 x 728)		640000550000 640000440000 640000450000 640000460000		506.00 506.00 506.00 506.00			
SHOWER TRAY FOOT FRAME FR 5300 Size adjustment up to 1800 x 1500		530000140000		177.00			
CENTRAL SUPPORT SYSTEM MAS 5305 required for shower trays larger than 900 mm		688076530000		25.50			
OPTIONAL: KALDEWEI PROFESSIONAL WATERPROOF ●¹			PRICE	(I)	(II), (III)	(IV)	
SEALING KIT FLOOR-LEVEL		689720490000		143.50			
SEALING KIT FLEX		689720520000		48.50			
CUT PROTECTION TAPE 6,6M for shower surfaces > 1000 x 1200 mm		689720580000		91.50			
OPTIONAL: KALDEWEI SILENCE PLUS ●¹			PRICE	(I)	(II), (III)	(IV)	
SHOWER TRAY SOUND ABSORBING SET DW-ADS		687675720000		34.50			

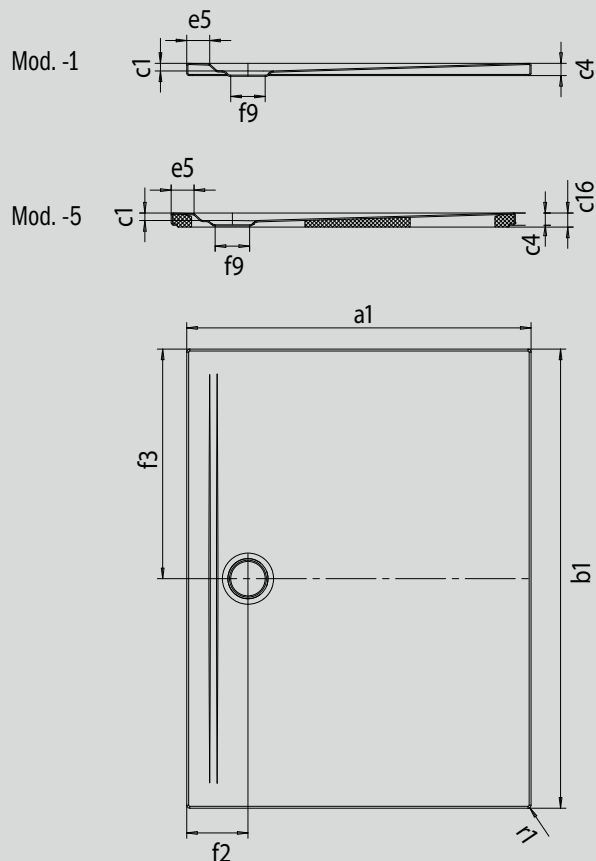
SUPERPLAN ZERO

- accessible from three sides without steps
- waste especially close to the wall and an even slope for a consistently level surface
- generous design, seamless transitions for small and large bathrooms
- clear edges and sharp corner radii for minimum joints and a uniform look
- low installation height for easy, floor-level installation – also for large formats



Similar illustration

Model-1	Total height				Fitting height			
	1606	1608	1610	1612	1606	1608	1610	1612
KA 90 horizontal	100	100	100	100	80	80	80	80
KA 90 flat	80	80	80	80	60	60	60	60
KA 90 vertical	49	49	49	49	80	80	80	80
Model-5	1606	1608	1610	1612	1606	1608	1610	1612
KA 90 horizontal	100	100	100	100	80	80	80	80
KA 90 flat	80	80	80	80	60	60	60	60
KA 90 vertical	37	37	37	37	80	80	80	80



ANTISLIP
SECURE⁺

Model		1606	1608	1610	1612
External length	a_1	750	800	900	1000 mm
External width	b_1	1700	1700	1700	1700 mm
Depth inside	c_1	20	20	20	20 mm
Height of rim	c_4	32	32	32	32 mm
Height with low-profile support	c_{16}	37	37	37	37 mm
Width of rim	e_5	60	60	60	60 mm
Diameter of waste hole	f_9	Ø 90	Ø 90	Ø 90	Ø 90 mm
Distance bath edge to centre of waste hole	$f_2; f_3$	160; 850	160; 850	160; 850	160; 850 mm
External radius	r_1	8	8	8	8 mm
Net weight		33	35	39	44 kg
ANTI-SLIP SECURE PLUS		full base	full base	full base	full base

Subject to technical alterations, tolerances and errors. Similar illustration.

KALDEWEI

	Drain Hole	Model Order No.	Dimensions mm	Colour price groups			GBP
				Alpine White (I)	Sanitary Colours (II, III)	Coord. Colours (IV)	
SUPERPLAN ZERO	Ø 90 mm	1606-1 36060001xxxx	1700 x 750 x 20	845.00	1,099.00	929.00	
		1608-1 36080001xxxx	1700 x 800 x 20	845.00	1,099.00	929.00	
		1610-1 36400001xxxx	1700 x 900 x 20	845.00	1,099.00	929.00	
		1612-1 36420001xxxx	1700 x 1000 x 20	845.00	1,099.00	929.00	
SUPERPLAN ZERO WITH LOW PROFILE SUPPORT Height with tub support 37 mm	Ø 90 mm	1606-5 36064798xxxx	1700 x 750 x 20	882.00	1,146.00	970.00	
		1608-5 36084798xxxx	1700 x 800 x 20	882.00	1,146.00	970.00	
		1610-5 36404798xxxx	1700 x 900 x 20	882.00	1,146.00	970.00	
		1612-5 36424798xxxx	1700 x 1000 x 20	882.00	1,146.00	970.00	
OPTIONAL: KALDEWEI PERFECTION SURFACE FINISHES			PRICE	(I)	(II), (III)	(IV)	
EXTRA CHARGE FOR EASY-CLEAN FINISH		xxxxxxx3xxx		82.00	82.00	82.00	
ANTI-SLIP SECURE PLUS Standard-compliant slip resistance (Evaluation group B according to DIN 51097, R10 according to DIN 51130). Fired into the enamel - Slip resistant surface over the entire surface, matt finish only . Cannot be combined with easy-clean finish		xxxxxxx2xxx		165.00		165.00	
OPTIONAL: KALDEWEI PROFESSIONAL INFLOW/OUTFLOW TECHNOLOGY ●¹			PRICE	(I)	(II), (III)	(IV)	
WASTE FITTING KA 90 HORIZONTAL Chrome waste cover, hair catcher included. Universally applicable for FR and ESR. Optional accessories: enamelled waste cover for KA 90		4109 687772600999		110.00			
WASTE FITTING KA 90 FLAT Chrome waste cover, hair catcher included. Universally applicable for FR and ESR. Optional accessories: enamelled waste cover for KA 90		4104 687772540999		117.50			
WASTE FITTING KA 90 VERTICAL Chrome waste cover, hair catcher included. Universally applicable for FR and ESR. Optional accessories: enamelled waste cover for KA 90		4110 687772610999		149.50			
WASTE COVER KA 90 in addition to the fittings 4109, 4104, 4110 enamelled enamelled ANTI-SLIP SECURE PLUS		68777259xxxx 687772592xxx		39.50 39.50	78.50	39.50 39.50	
OPTIONAL: KALDEWEI PROFESSIONAL INSTALLATION ●¹			PRICE	(I)	(II), (III)	(IV)	
ESR FLOOR LEVEL INSTALLATION SYSTEM (FOR -1 MODELS) 1700 x 750 (actual installation size ESR 1728 x 778) 1700 x 800 (actual installation size ESR 1728 x 828) 1700 x 900 (actual installation size ESR 1728 x 928) 1700 x 1000 (actual installation size ESR 1728 x 1028)		640000470000 640000620000 640000480000 640000490000		506.00 506.00 506.00 506.00			
SHOWER TRAY FOOT FRAME FR 5300 Size adjustment up to 1800 x 1500		530000140000		177.00			
CENTRAL SUPPORT SYSTEM MAS 5305 required for shower trays larger than 900 mm		688076530000		25.50			
OPTIONAL: KALDEWEI PROFESSIONAL WATERPROOF ●¹			PRICE	(I)	(II), (III)	(IV)	
SEALING KIT FLOOR-LEVEL		689720490000		143.50			
SEALING KIT FLEX		689720520000		48.50			
CUT PROTECTION TAPE 6,6M for shower surfaces > 1000 x 1200 mm		689720580000		91.50			
OPTIONAL: KALDEWEI SILENCE PLUS ●¹			PRICE	(I)	(II), (III)	(IV)	
SHOWER TRAY SOUND ABSORBING SET DW-ADS		687675720000		34.50			

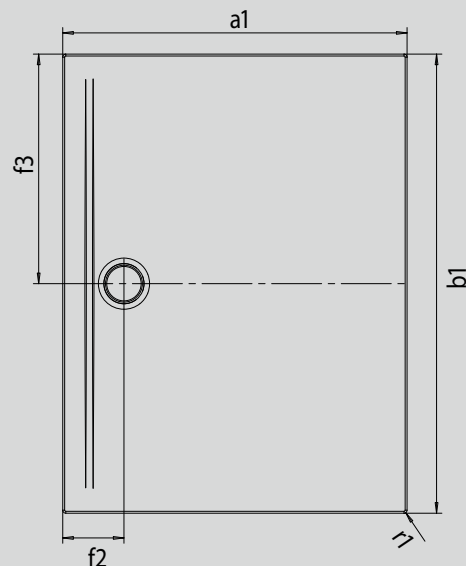
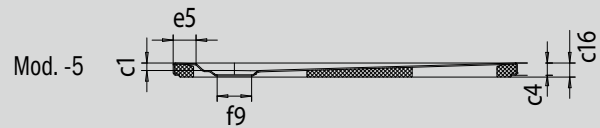
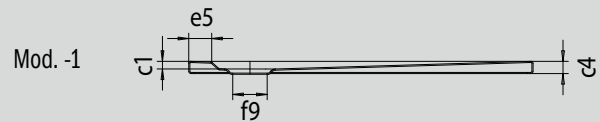
SUPERPLAN ZERO

- accessible from three sides without steps
- waste especially close to the wall and an even slope for a consistently level surface
- generous design, seamless transitions for small and large bathrooms
- clear edges and sharp corner radii for minimum joints and a uniform look
- low installation height for easy, floor-level installation – also for large formats



Similar illustration

Model-1	Total height			Fitting height		
	1614	1616	1618	1614	1616	1618
KA 90 horizontal	100	100	100	80	80	80
KA 90 flat	80	80	80	60	60	60
KA 90 vertical	49	49	49	80	80	80
Model-5	1614	1616	1618	1614	1616	1618
KA 90 horizontal	100	100	100	80	80	80
KA 90 flat	80	80	80	60	60	60
KA 90 vertical	37	37	37	80	80	80



ANTISLIP
SECURE⁺

Model		1614	1616	1618
External length	a_1	800	900	1000 mm
External width	b_1	1800	1800	1800 mm
Depth inside	c_1	20	20	20 mm
Height of rim	c_4	32	32	32 mm
Height with low-profile support	c_{16}	37	37	37 mm
Width of rim	e_5	60	60	60 mm
Diameter of waste hole	f_9	Ø 90	Ø 90	Ø 90 mm
Distance bath edge to centre of waste hole	$f_2; f_3$	160; 900	160; 900	160; 900 mm
External radius	r_1	8	8	8 mm
Net weight		37	42	46 kg
ANTI-SLIP SECURE PLUS		full base	full base	full base

Subject to technical alterations, tolerances and errors. Similar illustration.

KALDEWEI



	Drain Hole	Model Order No.	Dimensions mm	Colour price groups			GBP
				Alpine White (I)	Sanitary Colours (II, III)	Coord. Colours (IV)	
SUPERPLAN ZERO	Ø 90 mm	1614-1 36440001xxxx	1800 x 800 x 20	845.00	1,099.00	929.00	
		1616-1 36460001xxxx	1800 x 900 x 20	845.00	1,099.00	929.00	
		1618-1 36480001xxxx	1800 x 1000 x 20	845.00	1,099.00	929.00	
SUPERPLAN ZERO WITH LOW PROFILE SUPPORT Height with tub support 37 mm	Ø 90 mm	1614-5 36444798xxxx	1800 x 800 x 20	882.00	1,146.00	970.00	
		1616-5 36464798xxxx	1800 x 900 x 20	882.00	1,146.00	970.00	
		1618-5 36484798xxxx	1800 x 1000 x 20	882.00	1,146.00	970.00	
OPTIONAL: KALDEWEI PERFECTION SURFACE FINISHES			PRICE	(I)	(II), (III)	(IV)	
EXTRA CHARGE FOR EASY-CLEAN FINISH		xxxxxxx3xxx		82.00	82.00	82.00	
ANTI-SLIP SECURE PLUS Standard-compliant slip resistance (Evaluation group B according to DIN 51097, R10 according to DIN 51130). Fired into the enamel – Slip resistant surface over the entire surface, matt finish only . Cannot be combined with easy-clean finish		xxxxxxx2xxx		165.00		165.00	
OPTIONAL: KALDEWEI PROFESSIONAL INFLOW/OUTFLOW TECHNOLOGY ●¹			PRICE	(I)	(II), (III)	(IV)	
WASTE FITTING KA 90 HORIZONTAL Chrome waste cover, hair catcher included. Universally applicable for FR and ESR. Optional accessories: enamelled waste cover for KA 90		4109 687772600999	110.00				
WASTE FITTING KA 90 FLAT Chrome waste cover, hair catcher included. Universally applicable for FR and ESR. Optional accessories: enamelled waste cover for KA 90		4104 687772540999	117.50				
WASTE FITTING KA 90 VERTICAL Chrome waste cover, hair catcher included. Universally applicable for FR and ESR. Optional accessories: enamelled waste cover for KA 90		4110 687772610999	149.50				
WASTE COVER KA 90 in addition to the fittings 4109, 4104, 4110 enamelled enamelled ANTI-SLIP SECURE PLUS		68777259xxxx 687772592xxx		39.50 39.50	78.50	39.50 39.50	
OPTIONAL: KALDEWEI PROFESSIONAL INSTALLATION ●¹			PRICE	(I)	(II), (III)	(IV)	
ESR FLOOR LEVEL INSTALLATION SYSTEM (FOR -1 MODELS) 1800 x 800 (actual installation size ESR 1828 x 828) 1800 x 900 (actual installation size ESR 1828 x 928) 1800 x 1000 (actual installation size ESR 1828 x 1028)		640000500000 640000510000 640000520000	506.00 506.00 506.00				
SHOWER TRAY FOOT FRAME FR 5300 Size adjustment up to 1800 x 1500		530000140000	177.00				
CENTRAL SUPPORT SYSTEM MAS 5305 required for shower trays larger than 900 mm		688076530000	25.50				
OPTIONAL: KALDEWEI PROFESSIONAL WATERPROOF ●¹			PRICE	(I)	(II), (III)	(IV)	
SEALING KIT FLOOR-LEVEL		689720490000	143.50				
SEALING KIT FLEX		689720520000	48.50				
CUT PROTECTION TAPE 6,6M for shower surfaces > 1000 x 1200 mm		689720580000	91.50				
OPTIONAL: KALDEWEI SILENCE PLUS ●¹			PRICE	(I)	(II), (III)	(IV)	
SHOWER TRAY SOUND ABSORBING SET DW-ADS		687675720000	34.50				



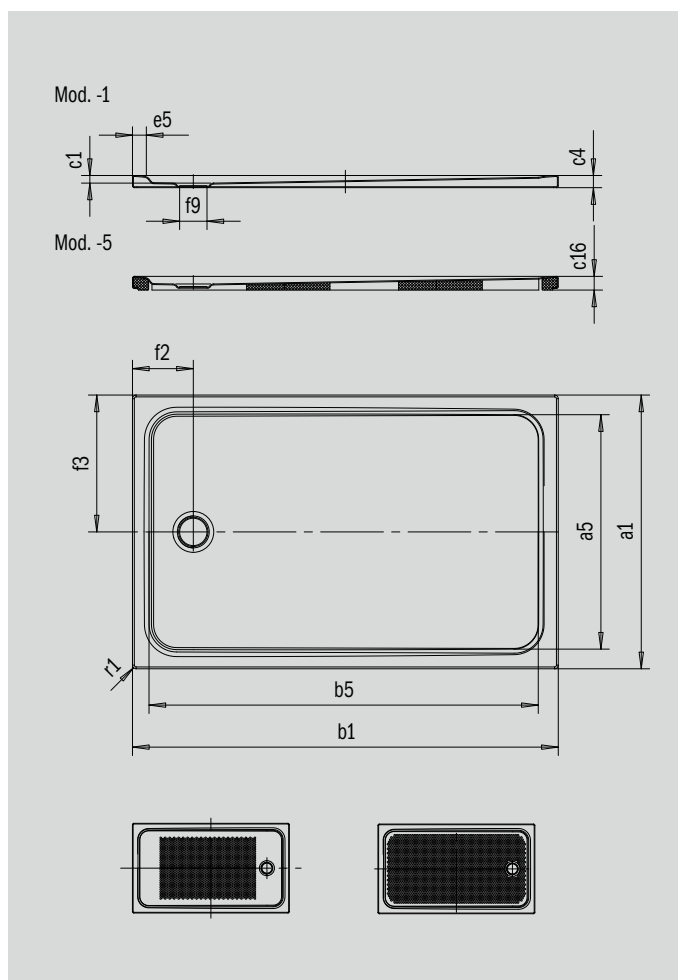
CAYONOPLAN

- floor-level shower
- classic design with inner contour
- perfect match for the CAYONO model range
- large standing area with central waste at short side
- made of KALDEWEI steel enamel



Similar illustration

Model-1	Total height				Fitting height			
	2251	2253	2254	2255	2251	2253	2254	2255
KA 90 horizontal	98	98	98	98	80	80	80	80
KA 90 flat	78	78	78	78	60	60	60	60
KA 90 vertical	49	49	49	49	80	80	80	80
Model-5	2251	2253	2254	2255	2251	2253	2254	2255
KA 90 horizontal	98	98	98	98	80	80	80	80
KA 90 flat	78	78	78	78	60	60	60	60
KA 90 vertical	37	37	37	37	80	80	80	80



ANTISLIP
SECURE⁺

Model	2251	2253	2254	2255	
External length	a ₁	800	750	900	750 mm
Internal length	a ₅	690	640	790	640 mm
External width	b ₁	800	900	900	1000 mm
Internal width	b ₅	690	790	790	890 mm
Depth inside	c ₁	18	18	18	18 mm
Height of rim	c ₄	32	32	32	32 mm
Height with low-profile support	c ₁₆	37	37	37	37 mm
Width of rim	e ₅	50	50	50	50 mm
Diameter of waste hole	f ₉	Ø 90	Ø 90	Ø 90	Ø 90 mm
Distance bath edge to centre of waste hole	f ₂ , f ₃	200; 400	200; 375	200; 450	200; 375 mm
External radius	r ₁	12	12	12	12 mm
Net weight		17	18	21	20 kg
Anti-slip		355 x 355	355 x 355	355 x 355	375 x 535 mm
Full anti-slip		615 x 635	575 x 735	695 x 735	575 x 835 mm
ANTI-SLIP SECURE PLUS		full base	full base	full base	full base

Subject to technical alterations, tolerances and errors. Similar illustration.

KALDEWEI

	Drain Hole	Model Order No.	Dimensions mm	Colour price groups			GBP
				Alpine White (I)	Sanitary Colours (II, III)	Coord. Colours (IV)	
CAYONOPLAN	Ø 90 mm	2251-1 36110001xxxx	800 x 800 x 18	330.00	429.00	364.00	
		2253-1 36130001xxxx	900 x 750 x 18	330.00	429.00	364.00	
		2254-1 36140001xxxx	900 x 900 x 18	298.00	387.00	328.00	
		2255-1 36150001xxxx	1000 x 750 x 18	363.00	472.00	400.00	
CAYONOPLAN WITH LOW PROFILE SUPPORT Height with support: 37 mm	Ø 90 mm	2251-5 36114798xxxx	800 x 800 x 18	370.00	481.00	408.00	
		2253-5 36134798xxxx	900 x 750 x 18	370.00	481.00	408.00	
		2254-5 36144798xxxx	900 x 900 x 18	338.00	439.00	372.00	
		2255-5 36154798xxxx	1000 x 750 x 18	403.00	524.00	445.00	
OPTIONAL: KALDEWEI PERFECTION SURFACE FINISHES			PRICE	(I)	(II), (III)	(IV)	
EXTRA CHARGE FOR EASY-CLEAN FINISH		xxxxxxx3xxx		82.00	82.00	82.00	
ANTI-SLIP SECURE PLUS Standard-compliant slip resistance (Evaluation group B according to DIN 51097, R10 according to DIN 51130). Fired into the enamel – Slip resistant surface over the entire surface, matt finish only . Cannot be combined with easy-clean finish		xxxxxxx2xxx		165.00		165.00	
FULL ANTI-SLIP Fired into the enamel – Slip resistant pattern over almost the entire surface				236.00	236.00		
PARTIAL ANTI-SLIP Slip-resistant surface, burnt in at certain points over part of the surface				117.50	117.50		
OPTIONAL: KALDEWEI PROFESSIONAL INFLOW/OUTFLOW TECHNOLOGY ●¹			PRICE	(I)	(II), (III)	(IV)	
WASTE FITTING KA 90 HORIZONTAL Chrome waste cover, hair catcher included. Universally applicable for FR and ESR. Optional accessories: enamelled waste cover for KA 90		4109 68772600999	110.00				
WASTE FITTING KA 90 FLAT Chrome waste cover, hair catcher included. Universally applicable for FR and ESR. Optional accessories: enamelled waste cover for KA 90		4104 687772540999	117.50				
WASTE FITTING KA 90 VERTICAL Chrome waste cover, hair catcher included. Universally applicable for FR and ESR. Optional accessories: enamelled waste cover for KA 90		4110 687772610999	149.50				
WASTE COVER KA 90 in addition to the fittings 4109, 4104, 4110 enamelled enamelled ANTI-SLIP SECURE PLUS		68777259xxxx 687772592xxx		39.50 39.50	78.50	39.50 39.50	
OPTIONAL: KALDEWEI PROFESSIONAL INSTALLATION ●¹			PRICE	(I)	(II), (III)	(IV)	
ESR FLOOR LEVEL INSTALLATION SYSTEM (FOR -1 MODELS) 800 x 800 (actual installation size ESR 828 x 828) 900 x 750 (actual installation size ESR 928 x 778) 900 x 900 (actual installation size ESR 928 x 928) 1000 x 750 (actual installation size ESR 1028 x 778)		640000110000 640000130000 640000150000 640000160000	281.00 281.00 281.00 281.00				
SHOWER TRAY FOOT FRAME FR 5300 Size adjustment up to 900 x 900 Size adjustment up to 1200 x 1200		530000120000 530000130000	113.50 124.50				
CENTRAL SUPPORT SYSTEM MAS 5305 required for shower trays larger than 900 mm		688076530000	25.50				
OPTIONAL: KALDEWEI PROFESSIONAL WATERPROOF ●¹			PRICE	(I)	(II), (III)	(IV)	
SEALING KIT FLOOR-LEVEL		689720490000	143.50				
SEALING KIT FLEX		689720520000	48.50				
CUT PROTECTION TAPE 4,6M for shower surfaces ≤ 1000 x 1200 mm		689720570000	63.50				
OPTIONAL: KALDEWEI SILENCE PLUS ●¹			PRICE	(I)	(II), (III)	(IV)	
SHOWER TRAY SOUND ABSORBING SET DW-ADS		687675720000	34.50				

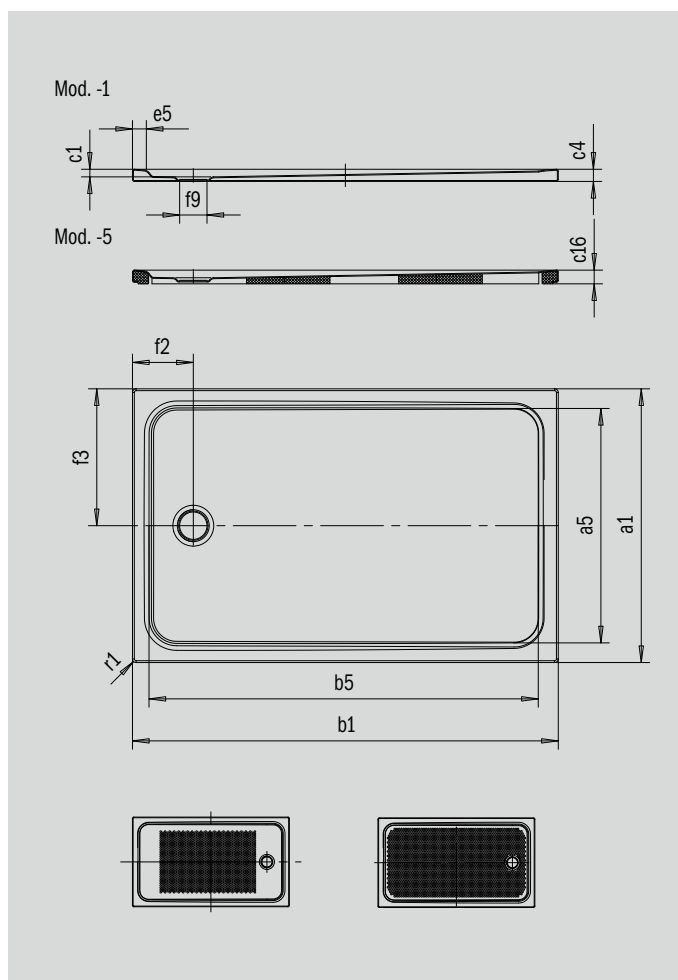
CAYONOPLAN

- floor-level shower
- classic design with inner contour
- perfect match for the CAYONO model range
- large standing area with central waste at short side
- made of KALDEWEI steel enamel



Similar illustration

Model-1	Total height				Fitting height			
	2256	2257	2258	2259	2256	2257	2258	2259
KA 90 horizontal	98	98	98	98	80	80	80	80
KA 90 flat	78	78	78	78	60	60	60	60
KA 90 vertical	49	49	49	49	80	80	80	80
Model-5	2256	2257	2258	2259	2256	2257	2258	2259
KA 90 horizontal	98	98	98	98	80	80	80	80
KA 90 flat	78	78	78	78	60	60	60	60
KA 90 vertical	37	37	37	37	80	80	80	80



ANTISLIP
SECURE⁺

Model		2256	2257	2258	2259
External length	a ₁	800	900	1000	750 mm
Internal length	a ₅	690	790	890	640 mm
External width	b ₁	1000	1000	1000	1100 mm
Internal width	b ₅	890	890	890	990 mm
Depth inside	c ₁	18	18	18	18 mm
Height of rim	c ₄	32	32	32	32 mm
Height with low-profile support	c ₁₆	37	37	37	37 mm
Width of rim	e ₅	50	50	50	50 mm
Diameter of waste hole	f ₉	Ø 90	Ø 90	Ø 90	Ø 90 mm
Distance bath edge to centre of waste hole	f ₂ , f ₃	200; 400	200; 450	200; 500	200; 375 mm
External radius	r ₁	12	12	12	12 mm
Net weight		21	24	27	20 kg
Anti-slip		375 x 535	495 x 495	495 x 495	375 x 535 mm
Full anti-slip		615 x 835	695 x 835	815 x 835	575 x 935 mm
ANTI-SLIP SECURE PLUS		full base	full base	full base	full base

Subject to technical alterations, tolerances and errors. Similar illustration.

KALDEWEI



	Drain Hole	Model Order No.	Dimensions mm	Colour price groups			GBP
				Alpine White (I)	Sanitary Colours (II, III)	Coord. Colours (IV)	
CAYONOPLAN	Ø 90 mm	2256-1 36160001xxxx	1000 x 800 x 18	363.00	472.00	400.00	
		2257-1 36170001xxxx	1000 x 900 x 18	363.00	472.00	400.00	
		2258-1 36180001xxxx	1000 x 1000 x 18	363.00	472.00	400.00	
		2259-1 36190001xxxx	1100 x 750 x 18	396.00	515.00	436.00	
CAYONOPLAN WITH LOW PROFILE SUPPORT Height with support: 37 mm	Ø 90 mm	2256-5 36164798xxxx	1000 x 800 x 18	403.00	524.00	445.00	
		2257-5 36174798xxxx	1000 x 900 x 18	403.00	524.00	445.00	
		2258-5 36184798xxxx	1000 x 1000 x 18	403.00	524.00	445.00	
		2259-5 36194798xxxx	1100 x 750 x 18	436.00	567.00	481.00	
OPTIONAL: KALDEWEI PERFECTION SURFACE FINISHES			PRICE	(I)	(II), (III)	(IV)	
EXTRA CHARGE FOR EASY-CLEAN FINISH		xxxxxxx3xxx		82.00	82.00	82.00	
ANTI-SLIP SECURE PLUS Standard-compliant slip resistance (Evaluation group B according to DIN 51097, R10 according to DIN 51130). Fired into the enamel – Slip resistant surface over the entire surface, matt finish only . Cannot be combined with easy-clean finish		xxxxxxx2xxx		165.00		165.00	
FULL ANTI-SLIP Fired into the enamel – Slip resistant pattern over almost the entire surface				236.00	236.00		
PARTIAL ANTI-SLIP Slip-resistant surface, burnt in at certain points over part of the surface				117.50	117.50		
OPTIONAL: KALDEWEI PROFESSIONAL INFLOW/OUTFLOW TECHNOLOGY ●¹			PRICE	(I)	(II), (III)	(IV)	
WASTE FITTING KA 90 HORIZONTAL Chrome waste cover, hair catcher included. Universally applicable for FR and ESR. Optional accessories: enamelled waste cover for KA 90		4109 68772600999	110.00				
WASTE FITTING KA 90 FLAT Chrome waste cover, hair catcher included. Universally applicable for FR and ESR. Optional accessories: enamelled waste cover for KA 90		4104 687772540999	117.50				
WASTE FITTING KA 90 VERTICAL Chrome waste cover, hair catcher included. Universally applicable for FR and ESR. Optional accessories: enamelled waste cover for KA 90		4110 687772610999	149.50				
WASTE COVER KA 90 in addition to the fittings 4109, 4104, 4110 enamelled enamelled ANTI-SLIP SECURE PLUS		68777259xxxx 687772592xxx		39.50 39.50	78.50	39.50 39.50	
OPTIONAL: KALDEWEI PROFESSIONAL INSTALLATION ●¹			PRICE	(I)	(II), (III)	(IV)	
ESR FLOOR LEVEL INSTALLATION SYSTEM (FOR -1 MODELS) 1000 x 800 (actual installation size ESR 1028 x 828) 1000 x 900 (actual installation size ESR 1028 x 928) 1000 x 1000 (actual installation size ESR 1028 x 1028) 1100 x 750 (actual installation size ESR 1128 x 778)		640000170000 640000180000 640000190000 640000260000	281.00 281.00 281.00 281.00				
SHOWER TRAY FOOT FRAME FR 5300 Size adjustment up to 1200 x 1200		530000130000	124.50				
CENTRAL SUPPORT SYSTEM MAS 5305 required for shower trays larger than 900 mm		688076530000	25.50				
OPTIONAL: KALDEWEI PROFESSIONAL WATERPROOF ●¹			PRICE	(I)	(II), (III)	(IV)	
SEALING KIT FLOOR-LEVEL		689720490000	143.50				
SEALING KIT FLEX		689720520000	48.50				
CUT PROTECTION TAPE 4,6M for shower surfaces ≤ 1000 x 1200 mm		689720570000	63.50				
OPTIONAL: KALDEWEI SILENCE PLUS ●¹			PRICE	(I)	(II), (III)	(IV)	
SHOWER TRAY SOUND ABSORBING SET DW-ADS		687675720000	34.50				



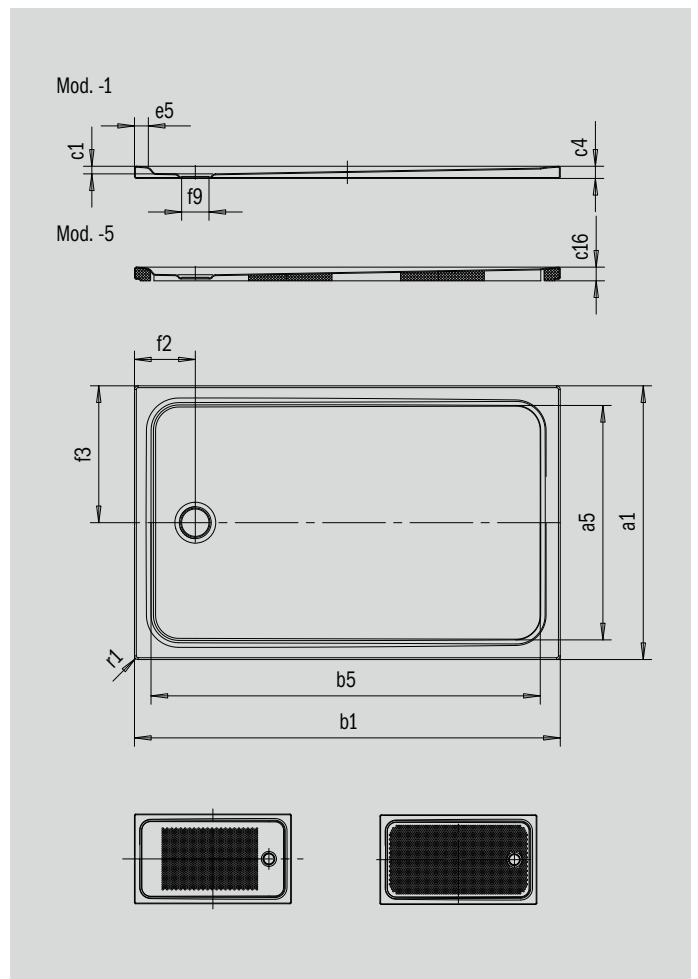
CAYONOPLAN

- floor-level shower
- classic design with inner contour
- perfect match for the CAYONO model range
- large standing area with central waste at short side
- made of KALDEWEI steel enamel



Similar illustration

Model-1	Total height				Fitting height			
	2260	2261	2262	2263	2260	2261	2262	2263
KA 90 horizontal	98	98	98	98	80	80	80	80
KA 90 flat	78	78	78	78	60	60	60	60
KA 90 vertical	49	49	49	49	80	80	80	80
Model-5	2260	2261	2262	2263	2260	2261	2262	2263
KA 90 horizontal	98	98	98	98	80	80	80	80
KA 90 flat	78	78	78	78	60	60	60	60
KA 90 vertical	37	37	37	37	80	80	80	80



ANTISLIP
SECURE⁺

Model		2260	2261	2262	2263
External length	a ₁	700	750	800	900 mm
Internal length	a ₅	590	640	690	790 mm
External width	b ₁	1200	1200	1200	1200 mm
Internal width	b ₅	1090	1090	1090	1090 mm
Depth inside	c ₁	18	18	18	18 mm
Height of rim	c ₄	32	32	32	32 mm
Height with low-profile support	c ₁₆	37	37	37	37 mm
Width of rim	e ₅	50	50	50	50 mm
Diameter of waste hole	f ₉	Ø 90	Ø 90	Ø 90	Ø 90 mm
Distance bath edge to centre of waste hole	f ₂ , f ₃	200; 350	200; 375	200; 400	200; 450 mm
External radius	r ₁	12	12	12	12 mm
Net weight		23	24	25	28 kg
Anti-slip		375 x 535	375 x 535	375 x 535	375 x 535 mm
Full anti-slip		495 x 1035	575 x 1035	615 x 1035	695 x 1035 mm
ANTI-SLIP SECURE PLUS		full base	full base	full base	full base

Subject to technical alterations, tolerances and errors. Similar illustration.

KALDEWEI

	Drain Hole	Model Order No.	Dimensions mm	Colour price groups			GBP
				Alpine White (I)	Sanitary Colours (II, III)	Coord. Colours (IV)	
CAYONOPLAN	Ø 90 mm	2260-1 36200001xxxx	1200 x 700 x 18	430.00	559.00	474.00	
		2261-1 36210001xxxx	1200 x 750 x 18	430.00	559.00	474.00	
		2262-1 36220001xxxx	1200 x 800 x 18	430.00	559.00	474.00	
		2263-1 36230001xxxx	1200 x 900 x 18	430.00	559.00	474.00	
CAYONOPLAN WITH LOW PROFILE SUPPORT Height with support: 37 mm	Ø 90 mm	2260-5 36204798xxxx	1200 x 700 x 18	470.00	611.00	516.00	
		2261-5 36214798xxxx	1200 x 750 x 18	470.00	611.00	516.00	
		2262-5 36224798xxxx	1200 x 800 x 18	470.00	611.00	516.00	
		2263-5 36234798xxxx	1200 x 900 x 18	470.00	611.00	516.00	
OPTIONAL: KALDEWEI PERFECTION SURFACE FINISHES			PRICE	(I)	(II), (III)	(IV)	
EXTRA CHARGE FOR EASY-CLEAN FINISH		xxxxxxx3xxx		82.00	82.00	82.00	
ANTI-SLIP SECURE PLUS Standard-compliant slip resistance (Evaluation group B according to DIN 51097, R10 according to DIN 51130). Fired into the enamel – Slip resistant surface over the entire surface, matt finish only . Cannot be combined with easy-clean finish		xxxxxxx2xxx		165.00		165.00	
FULL ANTI-SLIP Fired into the enamel – Slip resistant pattern over almost the entire surface				236.00	236.00		
PARTIAL ANTI-SLIP Slip-resistant surface, burnt in at certain points over part of the surface				117.50	117.50		
OPTIONAL: KALDEWEI PROFESSIONAL INFLOW/OUTFLOW TECHNOLOGY ●¹			PRICE	(I)	(II), (III)	(IV)	
WASTE FITTING KA 90 HORIZONTAL Chrome waste cover, hair catcher included. Universally applicable for FR and ESR. Optional accessories: enamelled waste cover for KA 90		4109 68772600999		110.00			
WASTE FITTING KA 90 FLAT Chrome waste cover, hair catcher included. Universally applicable for FR and ESR. Optional accessories: enamelled waste cover for KA 90		4104 687772540999		117.50			
WASTE FITTING KA 90 VERTICAL Chrome waste cover, hair catcher included. Universally applicable for FR and ESR. Optional accessories: enamelled waste cover for KA 90		4110 687772610999		149.50			
WASTE COVER KA 90 in addition to the fittings 4109, 4104, 4110 enamelled enamelled ANTI-SLIP SECURE PLUS		68777259xxxx 687772592xxx		39.50 39.50	78.50	39.50 39.50	
OPTIONAL: KALDEWEI PROFESSIONAL INSTALLATION ●¹			PRICE	(I)	(II), (III)	(IV)	
ESR FLOOR LEVEL INSTALLATION SYSTEM (FOR -1 MODELS) 1200 x 700 (actual installation size ESR 1228 x 728) 1200 x 750 (actual installation size ESR 1228 x 778) 1200 x 800 (actual installation size ESR 1228 x 828) 1200 x 900 (actual installation size ESR 1228 x 928)		640000220000 640000230000 640000240000 640000250000		310.00 310.00 310.00 310.00			
SHOWER TRAY FOOT FRAME FR 5300 Size adjustment up to 1200 x 1200		530000130000		124.50			
CENTRAL SUPPORT SYSTEM MAS 5305 required for shower trays larger than 900 mm		688076530000		25.50			
OPTIONAL: KALDEWEI PROFESSIONAL WATERPROOF ●¹			PRICE	(I)	(II), (III)	(IV)	
SEALING KIT FLOOR-LEVEL		689720490000		143.50			
SEALING KIT FLEX		689720520000		48.50			
CUT PROTECTION TAPE 4,6M for shower surfaces ≤ 1000 x 1200 mm		689720570000		63.50			
OPTIONAL: KALDEWEI SILENCE PLUS ●¹			PRICE	(I)	(II), (III)	(IV)	
SHOWER TRAY SOUND ABSORBING SET DW-ADS		687675720000		34.50			

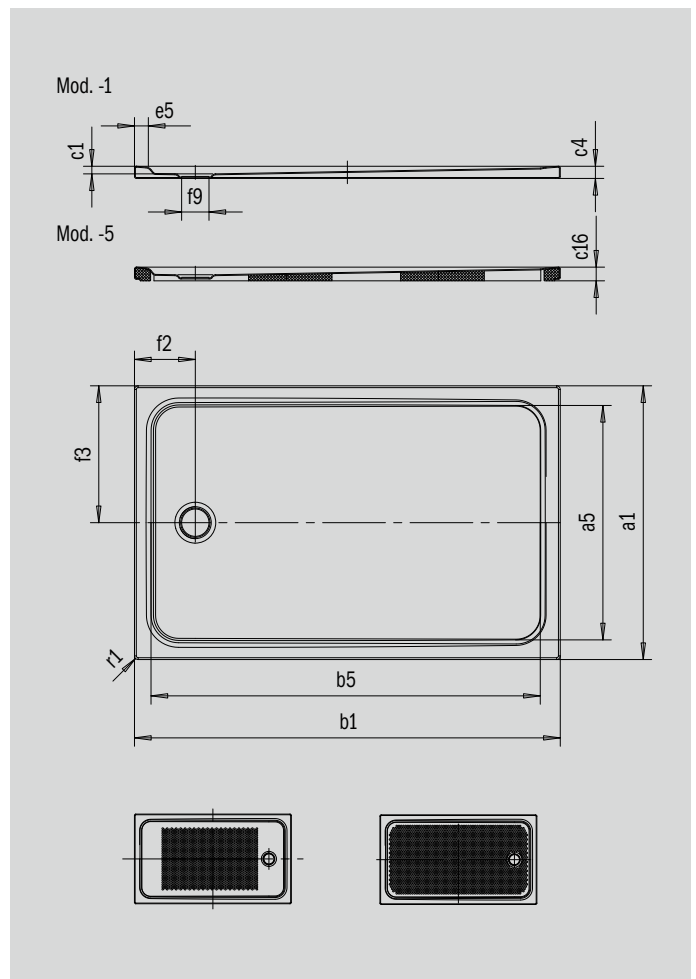
CAYONOPLAN

- floor-level shower
- classic design with inner contour
- perfect match for the CAYONO model range
- large standing area with central waste at short side
- made of KALDEWEI steel enamel



Similar illustration

Model-1	Total height				Fitting height			
	2264	2266	2267	2270	2264	2266	2267	2270
KA 90 horizontal	105	105	105	105	80	80	80	80
KA 90 flat	85	85	85	85	60	60	60	60
KA 90 vertical	49	49	49	49	80	80	80	80
Model-5	2264	2266	2267	2270	2264	2266	2267	2270
KA 90 horizontal	105	105	105	105	80	80	80	80
KA 90 flat	85	85	85	85	60	60	60	60
KA 90 vertical	45	45	45	45	80	80	80	80



ANTISLIP
SECURE⁺

Model	2264	2266	2267	2270	
External length	a ₁	800	800	900	750 mm
Internal length	a ₅	690	690	790	640 mm
External width	b ₁	1300	1400	1400	1500 mm
Internal width	b ₅	1190	1290	1290	1390 mm
Depth inside	c ₁	25	25	25	25 mm
Height of rim	c ₄	40	40	40	40 mm
Height with low-profile support	c ₁₆	45	45	45	45 mm
Width of rim	e ₅	50	50	50	50 mm
Diameter of waste hole	f ₉	Ø 90	Ø 90	Ø 90	Ø 90 mm
Distance bath edge to centre of waste hole	f ₂ , f ₃	200; 400	200; 400	200; 450	200; 375 mm
External radius	r ₁	12	12	12	12 mm
Net weight		25	29	33	29 kg
Anti-slip		555 x 855	555 x 855	555 x 855	395 x 855 mm
Full anti-slip		615 x 1135	615 x 1235	695 x 1235	575 x 1335 mm
ANTI-SLIP SECURE PLUS		full base	full base	full base	full base

Subject to technical alterations, tolerances and errors. Similar illustration.

KALDEWEI



	Drain Hole	Model Order No.	Dimensions mm	Colour price groups			GBP
				Alpine White (I)	Sanitary Colours (II, III)	Coord. Colours (IV)	
CAYONOPLAN	Ø 90 mm	2264-1 36240001xxxx	1300 x 800 x 25	462.00	600.00	509.00	
		2266-1 36260001xxxx	1400 x 800 x 25	498.00	645.00	546.00	
		2267-1 36270001xxxx	1400 x 900 x 25	498.00	645.00	546.00	
		2270-1 36300001xxxx	1500 x 750 x 25	530.00	690.00	584.00	
CAYONOPLAN WITH LOW PROFILE SUPPORT Height with support: 45 mm	Ø 90 mm	2264-5 36244798xxxx	1300 x 800 x 25	515.00	669.00	567.00	
		2266-5 36264798xxxx	1400 x 800 x 25	550.00	714.00	606.00	
		2267-5 36274798xxxx	1400 x 900 x 25	550.00	714.00	606.00	
		2270-5 36304798xxxx	1500 x 750 x 25	584.00	757.00	641.00	
OPTIONAL: KALDEWEI PERFECTION SURFACE FINISHES			PRICE	(I)	(II), (III)	(IV)	
EXTRA CHARGE FOR EASY-CLEAN FINISH		xxxxxxx3xxx		82.00	82.00	82.00	
ANTI-SLIP SECURE PLUS Standard-compliant slip resistance (Evaluation group B according to DIN 51097, R10 according to DIN 51130). Fired into the enamel – Slip resistant surface over the entire surface, matt finish only . Cannot be combined with easy-clean finish		xxxxxxx2xxx		165.00		165.00	
FULL ANTI-SLIP Fired into the enamel – Slip resistant pattern over almost the entire surface				236.00	236.00		
PARTIAL ANTI-SLIP Slip-resistant surface, burnt in at certain points over part of the surface				117.50	117.50		
OPTIONAL: KALDEWEI PROFESSIONAL INFLOW/OUTFLOW TECHNOLOGY ●¹			PRICE	(I)	(II), (III)	(IV)	
WASTE FITTING KA 90 HORIZONTAL Chrome waste cover, hair catcher included. Universally applicable for FR and ESR. Optional accessories: enamelled waste cover for KA 90		4109 68772600999	110.00				
WASTE FITTING KA 90 FLAT Chrome waste cover, hair catcher included. Universally applicable for FR and ESR. Optional accessories: enamelled waste cover for KA 90		4104 687772540999	117.50				
WASTE FITTING KA 90 VERTICAL Chrome waste cover, hair catcher included. Universally applicable for FR and ESR. Optional accessories: enamelled waste cover for KA 90		4110 687772610999	149.50				
WASTE COVER KA 90 in addition to the fittings 4109, 4104, 4110 enamelled enamelled ANTI-SLIP SECURE PLUS		68777259xxxx 687772592xxx		39.50 39.50	78.50	39.50 39.50	
OPTIONAL: KALDEWEI PROFESSIONAL INSTALLATION ●¹			PRICE	(I)	(II), (III)	(IV)	
SHOWER TRAY FOOT FRAME FR 5300 Size adjustment up to 1800 x 1500		530000140000	177.00				
CENTRAL SUPPORT SYSTEM MAS 5305 required for shower trays larger than 900 mm		688076530000	25.50				
OPTIONAL: KALDEWEI PROFESSIONAL WATERPROOF ●¹			PRICE	(I)	(II), (III)	(IV)	
SEALING KIT FLOOR-LEVEL		689720490000	143.50				
SEALING KIT FLEX		689720520000	48.50				
CUT PROTECTION TAPE 6,6M for shower surfaces > 1000 x 1200 mm		689720580000	91.50				
OPTIONAL: KALDEWEI SILENCE PLUS ●¹			PRICE	(I)	(II), (III)	(IV)	
SHOWER TRAY SOUND ABSORBING SET DW-ADS		687675720000	34.50				



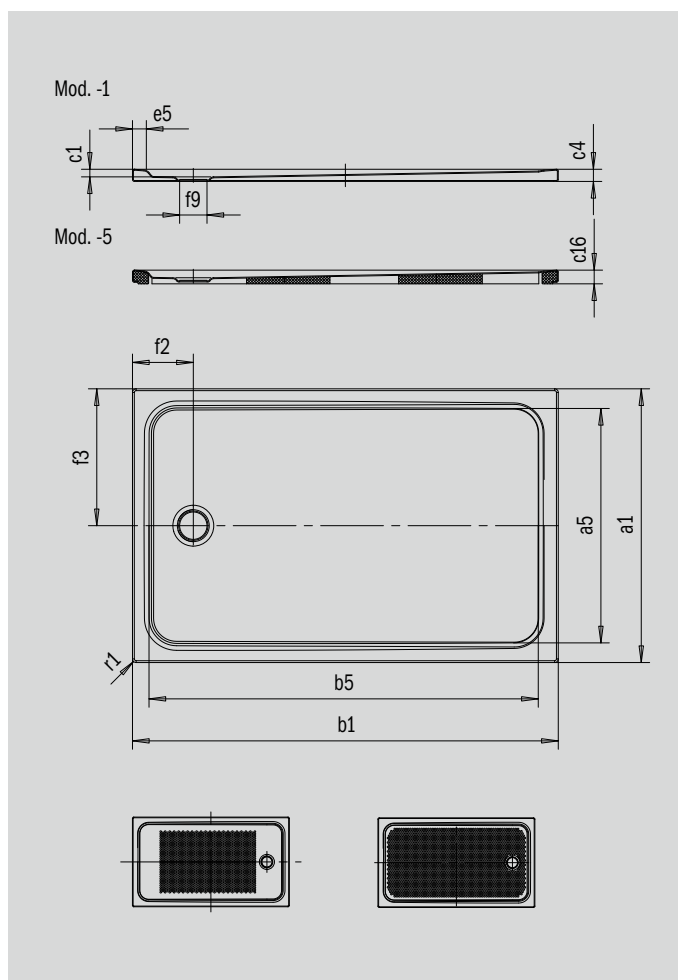
CAYONOPLAN

- floor-level shower
- classic design with inner contour
- perfect match for the CAYONO model range
- large standing area with central waste at short side
- made of KALDEWEI steel enamel



Similar illustration

Model-1	Total height				Fitting height			
	2271	2272	2275	2276	2271	2272	2275	2276
KA 90 horizontal	105	105	105	105	80	80	80	80
KA 90 flat	85	85	85	85	60	60	60	60
KA 90 vertical	49	49	49	49	80	80	80	80
Model-5	2271	2272	2275	2276	2271	2272	2275	2276
KA 90 horizontal	105	105	105	105	80	80	80	80
KA 90 flat	85	85	85	85	60	60	60	60
KA 90 vertical	45	45	45	45	80	80	80	80



ANTISLIP
SECURE⁺

Model	2271	2272	2275	2276	
External length	a ₁	800	900	750	800 mm
Internal length	a ₅	690	790	640	690 mm
External width	b ₁	1500	1500	1600	1600 mm
Internal width	b ₅	1390	1390	1490	1490 mm
Depth inside	c ₁	25	25	25	25 mm
Height of rim	c ₄	40	40	40	40 mm
Height with low-profile support	c ₁₆	45	45	45	45 mm
Width of rim	e ₅	50	50	50	50 mm
Diameter of waste hole	f ₉	Ø 90	Ø 90	Ø 90	Ø 90 mm
Distance bath edge to centre of waste hole	f ₂ , f ₃	200; 400	200; 450	200; 375	200; 400 mm
External radius	r ₁	12	12	12	12 mm
Net weight		31	35	30	33 kg
Anti-slip		555 x 855	555 x 855	395 x 855	555 x 855 mm
Full anti-slip		615 x 1335	695 x 1335	575 x 1435	615 x 1435 mm
ANTI-SLIP SECURE PLUS		full base	full base	full base	full base

Subject to technical alterations, tolerances and errors. Similar illustration.



	Drain Hole	Model Order No.	Dimensions mm	Colour price groups			GBP
				Alpine White (I)	Sanitary Colours (II, III)	Coord. Colours (IV)	
CAYONOPLAN	Ø 90 mm	2271-1 36310001xxxx	1500 x 800 x 25	530.00	690.00	584.00	
		2272-1 36320001xxxx	1500 x 900 x 25	530.00	690.00	584.00	
		2275-1 36350001xxxx	1600 x 750 x 25	578.00	751.00	638.00	
		2276-1 36360001xxxx	1600 x 800 x 25	578.00	751.00	638.00	
CAYONOPLAN WITH LOW PROFILE SUPPORT Height with support: 45 mm	Ø 90 mm	2271-5 36314798xxxx	1500 x 800 x 25	584.00	757.00	641.00	
		2272-5 36324798xxxx	1500 x 900 x 25	584.00	757.00	641.00	
		2275-5 36354798xxxx	1600 x 750 x 25	647.00	841.00	712.00	
		2276-5 36364798xxxx	1600 x 800 x 25	647.00	841.00	712.00	
OPTIONAL: KALDEWEI PERFECTION SURFACE FINISHES			PRICE	(I)	(II), (III)	(IV)	
EXTRA CHARGE FOR EASY-CLEAN FINISH	xxxxxxx3xxx			82.00	82.00	82.00	
ANTI-SLIP SECURE PLUS Standard-compliant slip resistance (Evaluation group B according to DIN 51097, R10 according to DIN 51130). Fired into the enamel – Slip resistant surface over the entire surface, matt finish only . Cannot be combined with easy-clean finish	xxxxxxx2xxx			165.00		165.00	
FULL ANTI-SLIP Fired into the enamel – Slip resistant pattern over almost the entire surface				236.00	236.00		
PARTIAL ANTI-SLIP Slip-resistant surface, burnt in at certain points over part of the surface				117.50	117.50		
OPTIONAL: KALDEWEI PROFESSIONAL INFLOW/OUTFLOW TECHNOLOGY ●¹			PRICE	(I)	(II), (III)	(IV)	
WASTE FITTING KA 90 HORIZONTAL Chrome waste cover, hair catcher included. Universally applicable for FR and ESR. Optional accessories: enamelled waste cover for KA 90	4109 68772600999		110.00				
WASTE FITTING KA 90 FLAT Chrome waste cover, hair catcher included. Universally applicable for FR and ESR. Optional accessories: enamelled waste cover for KA 90	4104 687772540999		117.50				
WASTE FITTING KA 90 VERTICAL Chrome waste cover, hair catcher included. Universally applicable for FR and ESR. Optional accessories: enamelled waste cover for KA 90	4110 687772610999		149.50				
WASTE COVER KA 90 in addition to the fittings 4109, 4104, 4110 enamelled enamelled ANTI-SLIP SECURE PLUS	68777259xxxx 687772592xxx			39.50 39.50	78.50	39.50 39.50	
OPTIONAL: KALDEWEI PROFESSIONAL INSTALLATION ●¹			PRICE	(I)	(II), (III)	(IV)	
SHOWER TRAY FOOT FRAME FR 5300 Size adjustment up to 1800 x 1500	530000140000		177.00				
CENTRAL SUPPORT SYSTEM MAS 5305 required for shower trays larger than 900 mm	688076530000		25.50				
OPTIONAL: KALDEWEI PROFESSIONAL WATERPROOF ●¹			PRICE	(I)	(II), (III)	(IV)	
SEALING KIT FLOOR-LEVEL	689720490000		143.50				
SEALING KIT FLEX	689720520000		48.50				
CUT PROTECTION TAPE 6,6M for shower surfaces > 1000 x 1200 mm	689720580000		91.50				
OPTIONAL: KALDEWEI SILENCE PLUS ●¹			PRICE	(I)	(II), (III)	(IV)	
SHOWER TRAY SOUND ABSORBING SET DW-ADS	687675720000		34.50				



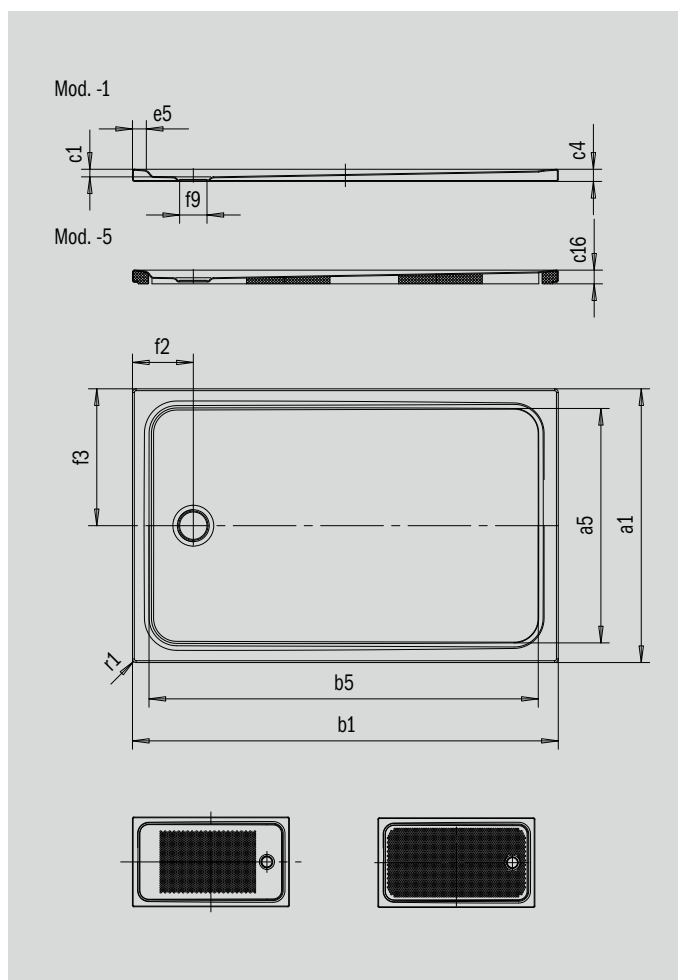
CAYONOPLAN

- floor-level shower
- classic design with inner contour
- perfect match for the CAYONO model range
- large standing area with central waste at short side
- made of KALDEWEI steel enamel



Similar illustration

	Total height		Fitting height	
	2278	2279	2278	2279
Model-1				
KA 90 horizontal	105	105	80	80
KA 90 flat	85	85	60	60
KA 90 vertical	49	49	80	80
Model-5				
KA 90 horizontal	105	105	80	80
KA 90 flat	85	85	60	60
KA 90 vertical	45	45	80	80



ANTISLIP
SECURE⁺

Model		2278	2279
External length	a_1	700	750 mm
Internal length	a_5	590	640 mm
External width	b_1	1700	1700 mm
Internal width	b_5	1590	1590 mm
Depth inside	c_1	25	25 mm
Height of rim	c_4	40	40 mm
Height with low-profile support	c_{16}	45	45 mm
Width of rim	e_5	50	50 mm
Diameter of waste hole	f_9	Ø 90	Ø 90 mm
Distance bath edge to centre of waste hole	$f_{2,1}$, f_3	200; 350	200; 375 mm
External radius	r_1	12	12 mm
Net weight		31	33 kg
Anti-slip		395 x 855	395 x 855 mm
Full anti-slip		535 x 1535	575 x 1535 mm
ANTI-SLIP SECURE PLUS		full base	full base

Subject to technical alterations, tolerances and errors. Similar illustration.

	Drain Hole	Model Order No.	Dimensions mm	Colour price groups			GBP
				Alpine White (I)	Sanitary Colours (II, III)	Coord. Colours (IV)	
CAYONOPLAN	Ø 90 mm	2278-1 37010001xxxx	1700 x 700 x 25	639.00	829.00	703.00	
		2279-1 37020001xxxx	1700 x 750 x 25	578.00	751.00	638.00	
CAYONOPLAN WITH LOW PROFILE SUPPORT Height with support: 45 mm	Ø 90 mm	2278-5 37014798xxxx	1700 x 700 x 25	706.00	919.00	779.00	
		2279-5 37024798xxxx	1700 x 750 x 25	647.00	841.00	712.00	
OPTIONAL: KALDEWEI PERFECTION SURFACE FINISHES			PRICE	(I)	(II), (III)	(IV)	
EXTRA CHARGE FOR EASY-CLEAN FINISH		xxxxxxxx3xxx		82.00	82.00	82.00	
ANTI-SLIP SECURE PLUS Standard-compliant slip resistance (Evaluation group B according to DIN 51097, R10 according to DIN 51130). Fired into the enamel – Slip resistant surface over the entire surface, matt finish only . Cannot be combined with easy-clean finish		xxxxxxxx2xxx		165.00		165.00	
FULL ANTI-SLIP Fired into the enamel – Slip resistant pattern over almost the entire surface				236.00	236.00		
PARTIAL ANTI-SLIP Slip-resistant surface, burnt in at certain points over part of the surface				117.50	117.50		
OPTIONAL: KALDEWEI PROFESSIONAL INFLOW/OUTFLOW TECHNOLOGY ●¹			PRICE	(I)	(II), (III)	(IV)	
WASTE FITTING KA 90 HORIZONTAL Chrome waste cover, hair catcher included. Universally applicable for FR and ESR. Optional accessories: enamelled waste cover for KA 90		4109 687772600999	110.00				
WASTE FITTING KA 90 FLAT Chrome waste cover, hair catcher included. Universally applicable for FR and ESR. Optional accessories: enamelled waste cover for KA 90		4104 687772540999	117.50				
WASTE FITTING KA 90 VERTICAL Chrome waste cover, hair catcher included. Universally applicable for FR and ESR. Optional accessories: enamelled waste cover for KA 90		4110 687772610999	149.50				
WASTE COVER KA 90 in addition to the fittings 4109, 4104, 4110 enamelled enamelled ANTI-SLIP SECURE PLUS		68777259xxxx 687772592xxx		39.50 39.50	78.50	39.50 39.50	
OPTIONAL: KALDEWEI PROFESSIONAL INSTALLATION ●¹			PRICE	(I)	(II), (III)	(IV)	
SHOWER TRAY FOOT FRAME FR 5300 Size adjustment up to 1800 x 1500		530000140000	177.00				
CENTRAL SUPPORT SYSTEM MAS 5305 required for shower trays larger than 900 mm		688076530000	25.50				
OPTIONAL: KALDEWEI PROFESSIONAL WATERPROOF ●¹			PRICE	(I)	(II), (III)	(IV)	
SEALING KIT FLOOR-LEVEL		689720490000	143.50				
SEALING KIT FLEX		689720520000	48.50				
CUT PROTECTION TAPE 6,6M for shower surfaces > 1000 x 1200 mm		689720580000	91.50				
OPTIONAL: KALDEWEI SILENCE PLUS ●¹			PRICE	(I)	(II), (III)	(IV)	
SHOWER TRAY SOUND ABSORBING SET DW-ADS		687675720000	34.50				

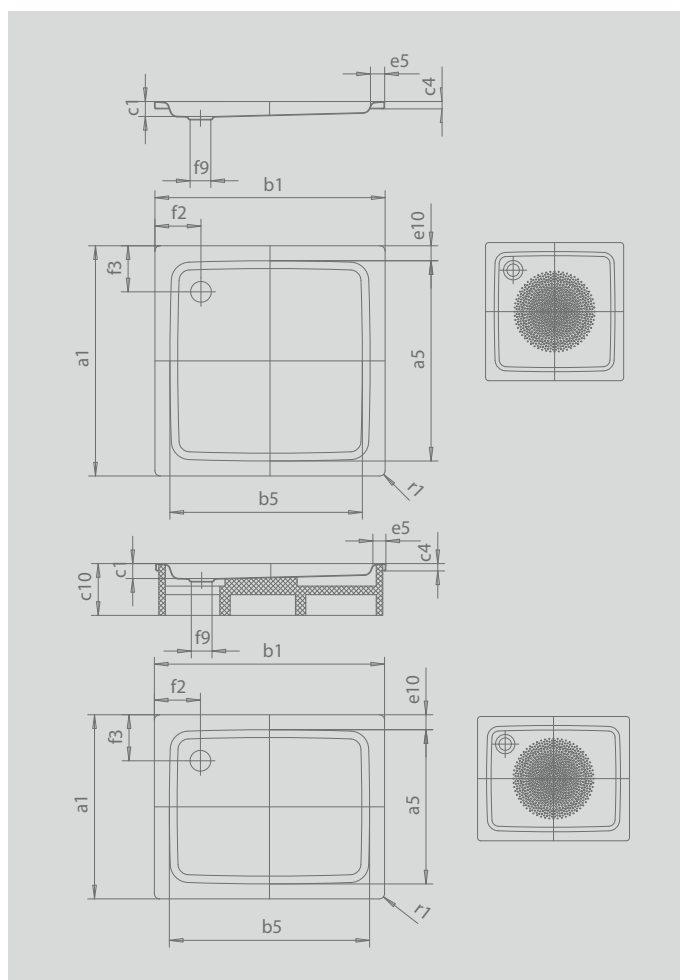
DUSCHPLAN

- a classic among shower trays
- modern, clear design only 65 mm deep
- available in rectangular or square design
- made of KALDEWEI steel enamel
- flush-fitting recessed waste cover (only in combination with the KA 90 waste fittings)



Similar illustration

Model-1	Total height			Fitting height		
	542	547	554	542	547	554
KA 90 horizontal	145	145	145	80	80	80
KA 90 flat	125	125	125	60	60	60
KA 90 vertical	49	49	49	80	80	80
Model-2	160	160	160			



Model		554	542	547
External length	a_1	750	800	700 mm
Internal length	a_5	620	670	570 mm
External width	b_1	800	800	900 mm
Internal width	b_5	670	670	770 mm
Depth inside	c_1	65	65	65 mm
Height of rim	c_4	32	32	32 mm
Height with support	c_{10}	160	160	160 mm
Width of rim	e_5	65	65	65 mm
Distance bath edge to centre of waste hole	f_2	200	200	200 mm
Diameter of waste hole	f_9	Ø 90	Ø 90	Ø 90 mm
External radius	r_1	12	12	12 mm
Net weight		18	20	19 kg
Diameter of anti-slip		Ø 435	Ø 435	Ø 435 mm



	Drain Hole	Model Order No.	Dimensions mm	Colour price groups		GBP
				Alpine White (I)	Sanitary Colours (II, III)	
DUSCHPLAN	Ø 90 mm	554-1 44860001xxxx	800 x 750 x 65	409.00	531.00	
		547-1 44210001xxxx	900 x 700 x 65	398.00	518.00	
DUSCHPLAN	Ø 90 mm	542-1 44050001xxxx	800 x 800 x 65	323.00	420.00	
DUSCHPLAN WITH SUPPORT Total height with support: 160 mm	Ø 90 mm	554-2 44864804xxxx	800 x 750 x 65	451.00	585.00	
		542-2 44054804xxxx	800 x 800 x 65	362.00	471.00	
		547-2 44214804xxxx	900 x 700 x 65	444.00	577.00	
OPTIONAL: KALDEWEI PERFECTION SURFACE FINISHES			PRICE	(I)	(II), (III)	
EXTRA CHARGE FOR EASY-CLEAN FINISH		xxxxxxxx3xxx		82.00	82.00	
PARTIAL ANTI-SLIP Slip-resistant surface, burnt in at certain points over part of the surface				117.50	117.50	
OPTIONAL: KALDEWEI PROFESSIONAL INFLOW/OUTFLOW TECHNOLOGY ●¹			PRICE	(I)	(II), (III)	
WASTE FITTING KA 90 HORIZONTAL Chrome waste cover, hair catcher included. Universally applicable for FR and ESR. Optional accessories: enamelled waste cover for KA 90		4109 68777260999	110.00			
WASTE FITTING KA 90 FLAT Chrome waste cover, hair catcher included. Universally applicable for FR and ESR. Optional accessories: enamelled waste cover for KA 90		4104 687772540999	117.50			
WASTE FITTING KA 90 VERTICAL Chrome waste cover, hair catcher included. Universally applicable for FR and ESR. Optional accessories: enamelled waste cover for KA 90		4110 687772610999	149.50			
WASTE COVER KA 90 in addition to the fittings 4109, 4104, 4110 enamelled		68777259xxxx		39.50	78.50	
OPTIONAL: KALDEWEI PROFESSIONAL INSTALLATION ●¹			PRICE	(I)	(II), (III)	
SHOWER TRAY FOOT FRAME FR 5300 Size adjustment up to 900 x 900		530000120000	113.50			
CENTRAL SUPPORT SYSTEM MAS 5305 required for shower trays larger than 900 mm		688076530000	25.50			
OPTIONAL: KALDEWEI PROFESSIONAL WATERPROOF ●¹			PRICE	(I)	(II), (III)	
SEALING KIT FLOOR-LEVEL		689720490000	143.50			
SEALING KIT FLEX		689720520000	48.50			
CUT PROTECTION TAPE 4,6M for shower surfaces ≤ 1000 x 1200 mm		689720570000	63.50			
OPTIONAL: KALDEWEI SILENCE PLUS ●¹			PRICE	(I)	(II), (III)	
SHOWER TRAY SOUND ABSORBING SET DW-ADS		687675720000	34.50			



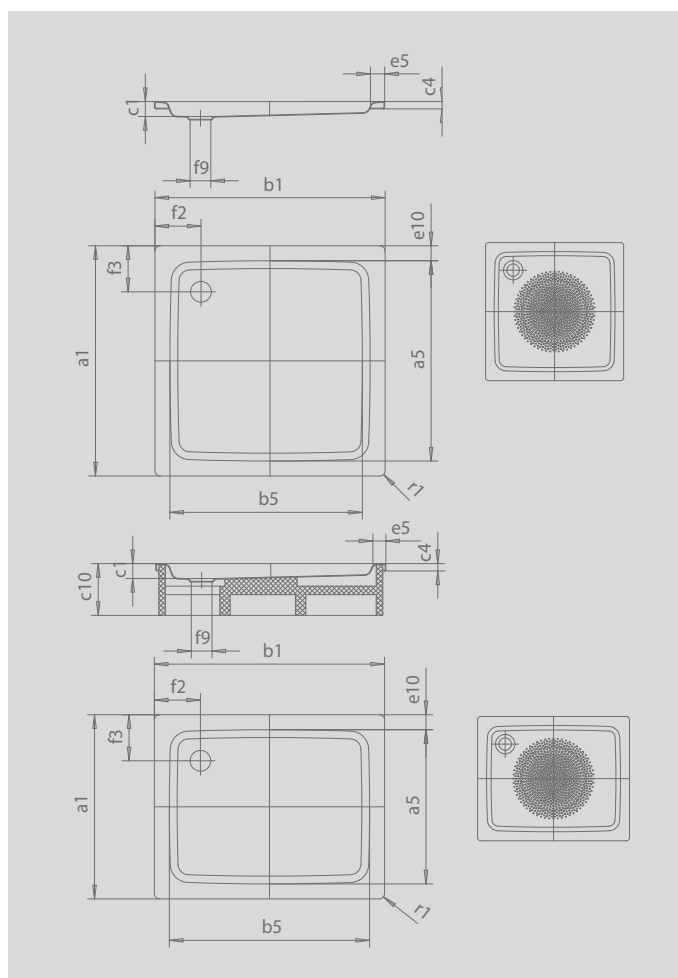
DUSCHPLAN

- a classic among shower trays
- modern, clear design only 65 mm deep
- available in rectangular or square design
- made of KALDEWEI steel enamel
- flush-fitting recessed waste cover (only in combination with the KA 90 waste fittings)



Similar illustration

Model-1	Total height			Fitting height		
	543	544	545	543	544	545
KA 90 horizontal	145	145	145	80	80	80
KA 90 flat	125	125	125	60	60	60
KA 90 vertical	49	49	49	80	80	80
Model-2	160	160	160			



Model		543	544	545
External length	a_1	750	800	900 mm
Internal length	a_5	620	670	770 mm
External width	b_1	900	900	900 mm
Internal width	b_5	770	770	770 mm
Depth inside	c_1	65	65	65 mm
Height of rim	c_4	32	32	32 mm
Height with support	c_{10}	160	160	160 mm
Width of rim	e_5	65	65	65 mm
Distance bath edge to centre of waste hole	f_2	200	200	200 mm
Diameter of waste hole	f_9	Ø 90	Ø 90	Ø 90 mm
External radius	r_1	12	12	12 mm
Net weight		20	20	25 kg
Diameter of anti-slip		Ø 435	Ø 435	Ø 588 mm



	Drain Hole	Model Order No.	Dimensions mm	Colour price groups		GBP
				Alpine White (I)	Sanitary Colours (II, III)	
DUSCHPLAN	Ø 90 mm	543-1 44090001xxxx	900 x 750 x 65	355.00	462.00	
		544-1 44040001xxxx	900 x 800 x 65	413.00	538.00	
		545-1 44030001xxxx	900 x 900 x 65	336.00	437.00	
DUSCHPLAN WITH SUPPORT Total height with support: 160 mm	Ø 90 mm	543-2 44094804xxxx	900 x 750 x 65	397.00	514.00	
		544-2 44044804xxxx	900 x 800 x 65	455.00	592.00	
		545-2 44034804xxxx	900 x 900 x 65	375.00	488.00	
OPTIONAL: KALDEWEI PERFECTION SURFACE FINISHES			PRICE	(I)	(II), (III)	
EXTRA CHARGE FOR EASY-CLEAN FINISH		xxxxxxx3xxx		82.00	82.00	
PARTIAL ANTI-SLIP Slip-resistant surface, burnt in at certain points over part of the surface				117.50	117.50	
OPTIONAL: KALDEWEI PROFESSIONAL INFLOW/OUTFLOW TECHNOLOGY ●¹			PRICE	(I)	(II), (III)	
WASTE FITTING KA 90 HORIZONTAL Chrome waste cover, hair catcher included. Universally applicable for FR and ESR. Optional accessories: enamelled waste cover for KA 90		4109 687772600999	110.00			
WASTE FITTING KA 90 FLAT Chrome waste cover, hair catcher included. Universally applicable for FR and ESR. Optional accessories: enamelled waste cover for KA 90		4104 687772540999	117.50			
WASTE FITTING KA 90 VERTICAL Chrome waste cover, hair catcher included. Universally applicable for FR and ESR. Optional accessories: enamelled waste cover for KA 90		4110 687772610999	149.50			
WASTE COVER KA 90 in addition to the fittings 4109, 4104, 4110 enamelled		68777259xxxx		39.50	78.50	
OPTIONAL: KALDEWEI PROFESSIONAL INSTALLATION ●¹			PRICE	(I)	(II), (III)	
SHOWER TRAY FOOT FRAME FR 5300 Size adjustment up to 900 x 900		530000120000	113.50			
CENTRAL SUPPORT SYSTEM MAS 5305 required for shower trays larger than 900 mm		688076530000	25.50			
OPTIONAL: KALDEWEI PROFESSIONAL WATERPROOF ●¹			PRICE	(I)	(II), (III)	
SEALING KIT FLOOR-LEVEL		689720490000	143.50			
SEALING KIT FLEX		689720520000	48.50			
CUT PROTECTION TAPE 4,6M for shower surfaces ≤ 1000 x 1200 mm		689720570000	63.50			
OPTIONAL: KALDEWEI SILENCE PLUS ●¹			PRICE	(I)	(II), (III)	
SHOWER TRAY SOUND ABSORBING SET DW-ADS		687675720000	34.50			



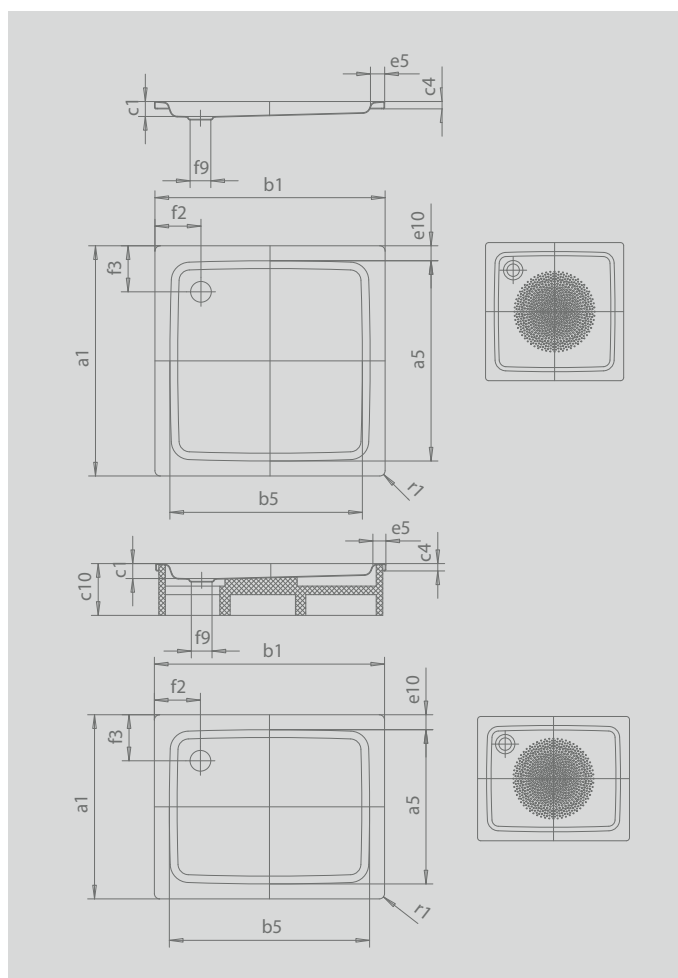
DUSCHPLAN

- a classic among shower trays
- modern, clear design only 65 mm deep
- available in rectangular or square design
- made of KALDEWEI steel enamel
- flush-fitting recessed waste cover (only in combination with the KA 90 waste fittings)



Similar illustration

Model-1	Total height			Fitting height		
	416	418	546	416	418	546
KA 90 horizontal	145	145	145	80	80	80
KA 90 flat	125	125	125	60	60	60
KA 90 vertical	49	49	49	80	80	80
Model-2	160	160	160			



Model		416	546	418
External length	a_1	750	800	900 mm
Internal length	a_5	620	670	770 mm
External width	b_1	1000	1000	1000 mm
Internal width	b_5	870	870	870 mm
Depth inside	c_1	65	65	65 mm
Height of rim	c_4	32	32	32 mm
Height with support	c_{10}	160	160	160 mm
Width of rim	e_5	65	65	65 mm
Distance bath edge to centre of waste hole	f_2	200	200	200 mm
Diameter of waste hole	f_9	Ø 90	Ø 90	Ø 90 mm
External radius	r_1	12	12	12 mm
Net weight		22	24	27 kg
Diameter of anti-slip		Ø 435	Ø 588	Ø 588 mm



	Drain Hole	Model Order No.	Dimensions mm	Colour price groups		GBP
				Alpine White (I)	Sanitary Colours (II, III)	
DUSCHPLAN	Ø 90 mm	416-1 43160001xxxx	1000 x 750 x 65	507.00	657.00	
		546-1 44010001xxxx	1000 x 800 x 65	500.00	649.00	
		418-1 43180001xxxx	1000 x 900 x 65	500.00	649.00	
DUSCHPLAN WITH SUPPORT Total height with support: 160 mm	Ø 90 mm	416-2 43164804xxxx	1000 x 750 x 65	561.00	728.00	
		546-2 44014804xxxx	1000 x 800 x 65	556.00	721.00	
		418-2 43184804xxxx	1000 x 900 x 65	556.00	721.00	
OPTIONAL: KALDEWEI PERFECTION SURFACE FINISHES			PRICE	(I)	(II), (III)	
EXTRA CHARGE FOR EASY-CLEAN FINISH		xxxxxxx3xxx		82.00	82.00	
PARTIAL ANTI-SLIP Slip-resistant surface, burnt in at certain points over part of the surface				117.50	117.50	
OPTIONAL: KALDEWEI PROFESSIONAL INFLOW/OUTFLOW TECHNOLOGY ●¹			PRICE	(I)	(II), (III)	
WASTE FITTING KA 90 HORIZONTAL Chrome waste cover, hair catcher included. Universally applicable for FR and ESR. Optional accessories: enamelled waste cover for KA 90		4109 687772600999	110.00			
WASTE FITTING KA 90 FLAT Chrome waste cover, hair catcher included. Universally applicable for FR and ESR. Optional accessories: enamelled waste cover for KA 90		4104 687772540999	117.50			
WASTE FITTING KA 90 VERTICAL Chrome waste cover, hair catcher included. Universally applicable for FR and ESR. Optional accessories: enamelled waste cover for KA 90		4110 687772610999	149.50			
WASTE COVER KA 90 in addition to the fittings 4109, 4104, 4110 enamelled		68777259xxxx		39.50	78.50	
OPTIONAL: KALDEWEI PROFESSIONAL INSTALLATION ●¹			PRICE	(I)	(II), (III)	
SHOWER TRAY FOOT FRAME FR 5300 Size adjustment up to 1200 x 1200		530000130000	124.50			
CENTRAL SUPPORT SYSTEM MAS 5305 required for shower trays larger than 900 mm		688076530000	25.50			
OPTIONAL: KALDEWEI PROFESSIONAL WATERPROOF ●¹			PRICE	(I)	(II), (III)	
SEALING KIT FLOOR-LEVEL		689720490000	143.50			
SEALING KIT FLEX		689720520000	48.50			
CUT PROTECTION TAPE 4,6M for shower surfaces ≤ 1000 x 1200 mm		689720570000	63.50			
OPTIONAL: KALDEWEI SILENCE PLUS ●¹			PRICE	(I)	(II), (III)	
SHOWER TRAY SOUND ABSORBING SET DW-ADS		687675720000	34.50			



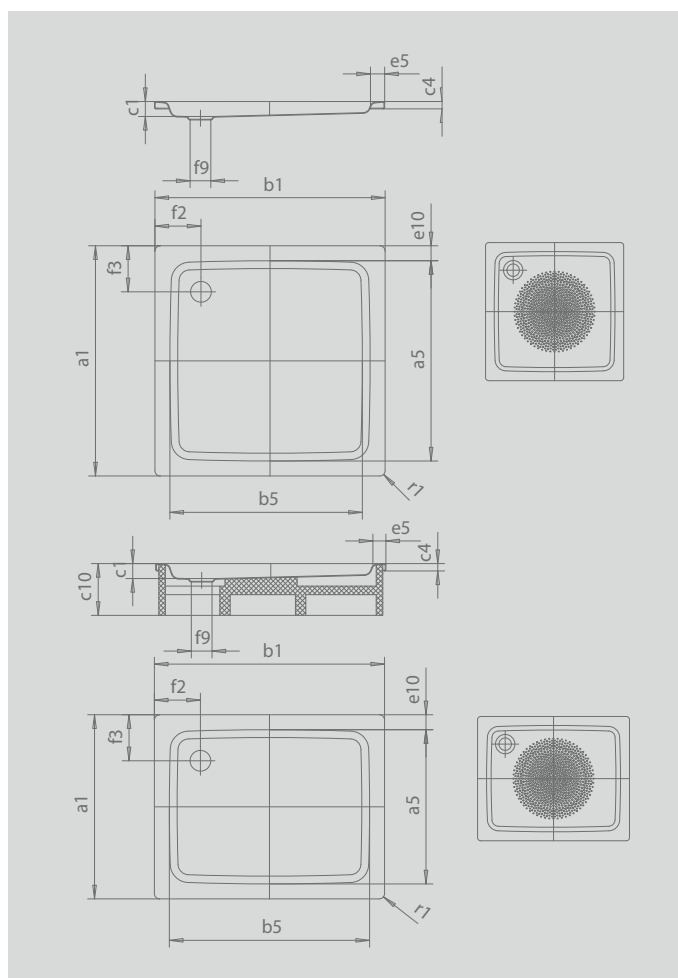
DUSCHPLAN

- a classic among shower trays
- modern, clear design only 65 mm deep
- available in rectangular or square design
- made of KALDEWEI steel enamel
- flush-fitting recessed waste cover (only in combination with the KA 90 waste fittings)



Similar illustration

Model-1	Total height			Fitting height		
	392	415	419	392	415	419
KA 90 horizontal	145	145	145	80	80	80
KA 90 flat	125	125	125	60	60	60
KA 90 vertical	49	49	49	80	80	80
Model-2	160	160	160			



Model		392	419	415
External length	a_1	1000	900	700 mm
Internal length	a_5	870	770	570 mm
External width	b_1	1000	1100	1200 mm
Internal width	b_5	870	970	1070 mm
Depth inside	c_1	65	65	65 mm
Height of rim	c_4	32	32	32 mm
Height with support	c_{10}	160	160	160 mm
Width of rim	e_5	65	65; 65	65; 65 mm
Diameter of waste hole	f_9	Ø 90	Ø 90	Ø 90 mm
Distance bath edge to centre of waste hole	$f_2; f_3$	200; 200	200; 200	200; 200 mm
External radius	r_1	12	12	12 mm
Net weight		28	28	25 kg
Diameter of anti-slip		Ø 588	Ø 588	Ø 435 mm



	Drain Hole	Model Order No.	Dimensions mm	Colour price groups		GBP
				Alpine White (I)	Sanitary Colours (II, III)	
DUSCHPLAN	Ø 90 mm	392-1 44020001xxxx	1000 x 1000 x 65	491.00	637.00	
		419-1 43190001xxxx	1100 x 900 x 65	500.00	649.00	
		415-1 43150001xxxx	1200 x 700 x 65	592.00	770.00	
DUSCHPLAN WITH SUPPORT Total height with support: 160 mm	Ø 90 mm	392-2 44024804xxxx	1000 x 1000 x 65	542.00	704.00	
		419-2 43194804xxxx	1100 x 900 x 65	556.00	721.00	
		415-2 43154804xxxx	1200 x 700 x 65	645.00	838.00	
OPTIONAL: KALDEWEI PERFECTION SURFACE FINISHES			PRICE	(I)	(II), (III)	
EXTRA CHARGE FOR EASY-CLEAN FINISH		xxxxxxx3xxx		82.00	82.00	
PARTIAL ANTI-SLIP Slip-resistant surface, burnt in at certain points over part of the surface				117.50	117.50	
OPTIONAL: KALDEWEI PROFESSIONAL INFLOW/OUTFLOW TECHNOLOGY ●¹			PRICE	(I)	(II), (III)	
WASTE FITTING KA 90 HORIZONTAL Chrome waste cover, hair catcher included. Universally applicable for FR and ESR. Optional accessories: enamelled waste cover for KA 90		4109 687772600999	110.00			
WASTE FITTING KA 90 FLAT Chrome waste cover, hair catcher included. Universally applicable for FR and ESR. Optional accessories: enamelled waste cover for KA 90		4104 687772540999	117.50			
WASTE FITTING KA 90 VERTICAL Chrome waste cover, hair catcher included. Universally applicable for FR and ESR. Optional accessories: enamelled waste cover for KA 90		4110 687772610999	149.50			
WASTE COVER KA 90 in addition to the fittings 4109, 4104, 4110 enamelled		68777259xxxx		39.50	78.50	
OPTIONAL: KALDEWEI PROFESSIONAL INSTALLATION ●¹			PRICE	(I)	(II), (III)	
SHOWER TRAY FOOT FRAME FR 5300 Size adjustment up to 1200 x 1200		530000130000	124.50			
CENTRAL SUPPORT SYSTEM MAS 5305 required for shower trays larger than 900 mm		688076530000	25.50			
OPTIONAL: KALDEWEI PROFESSIONAL WATERPROOF ●¹			PRICE	(I)	(II), (III)	
SEALING KIT FLOOR-LEVEL		689720490000	143.50			
SEALING KIT FLEX		689720520000	48.50			
CUT PROTECTION TAPE 4,6M for shower surfaces ≤ 1000 x 1200 mm		689720570000	63.50			
CUT PROTECTION TAPE 6,6M for shower surfaces > 1000 x 1200 mm		689720580000	91.50			
OPTIONAL: KALDEWEI SILENCE PLUS ●¹			PRICE	(I)	(II), (III)	
SHOWER TRAY SOUND ABSORBING SET DW-ADS		687675720000	34.50			



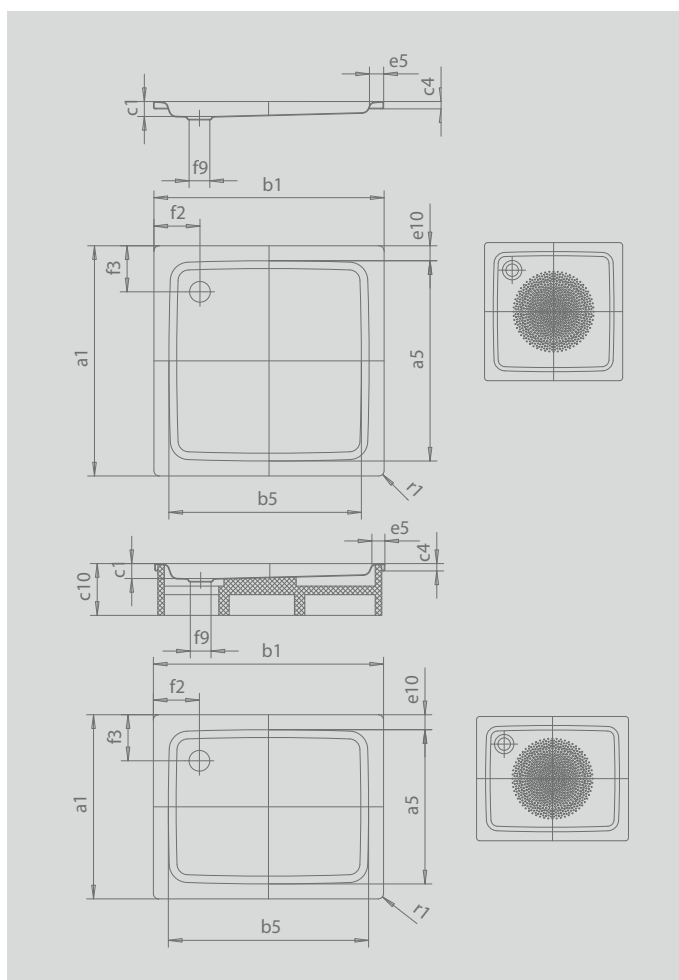
DUSCHPLAN

- a classic among shower trays
- modern, clear design only 65 mm deep
- available in rectangular or square design
- made of KALDEWEI steel enamel
- flush-fitting recessed waste cover (only in combination with the KA 90 waste fittings)



Similar illustration

Model-1	Total height			Fitting height		
	417	420	555	417	420	555
KA 90 horizontal	145	145	145	80	80	80
KA 90 flat	125	125	125	60	60	60
KA 90 vertical	49	49	49	80	80	80
Model-2	160	160	160			



Model		417	555	420
External length	a_1	750	800	900 mm
Internal length	a_5	570	670	770 mm
External width	b_1	1200	1200	1200 mm
Internal width	b_5	1070	1070	1070 mm
Depth inside	c_1	65	65	65 mm
Height of rim	c_4	32	32	32 mm
Height with support	c_{10}	160	160	160 mm
Width of rim	$e_{10}; e_5$	90; 65	65	65 mm
Diameter of waste hole	f_9	Ø 90	Ø 90	Ø 90 mm
Distance bath edge to centre of waste hole	$f_2; f_3$	200; 225	200; 200	200; 200 mm
External radius	r_1	12	12	12 mm
Net weight		26	26	32 kg
Diameter of anti-slip		Ø 435	Ø 588	Ø 588 mm



	Drain Hole	Model Order No.	Dimensions mm	Colour price groups		GBP
				Alpine White (I)	Sanitary Colours (II, III)	
DUSCHPLAN	Ø 90 mm	417-1 43170001xxxx	1200 x 750 x 65	592.00	770.00	
		555-1 44820001xxxx	1200 x 800 x 65	575.00	747.00	
		420-1 43200001xxxx	1200 x 900 x 65	575.00	747.00	
DUSCHPLAN WITH SUPPORT Total height with support: 160 mm	Ø 90 mm	417-2 43174804xxxx	1200 x 750 x 65	645.00	838.00	
		555-2 44824804xxxx	1200 x 800 x 65	629.00	817.00	
		420-2 43204804xxxx	1200 x 900 x 65	629.00	817.00	
OPTIONAL: KALDEWEI PERFECTION SURFACE FINISHES			PRICE	(I)	(II), (III)	
EXTRA CHARGE FOR EASY-CLEAN FINISH		xxxxxxx3xxx		82.00	82.00	
PARTIAL ANTI-SLIP Slip-resistant surface, burnt in at certain points over part of the surface				117.50	117.50	
OPTIONAL: KALDEWEI PROFESSIONAL INFLOW/OUTFLOW TECHNOLOGY ●¹			PRICE	(I)	(II), (III)	
WASTE FITTING KA 90 HORIZONTAL Chrome waste cover, hair catcher included. Universally applicable for FR and ESR. Optional accessories: enamelled waste cover for KA 90		4109 687772600999	110.00			
WASTE FITTING KA 90 FLAT Chrome waste cover, hair catcher included. Universally applicable for FR and ESR. Optional accessories: enamelled waste cover for KA 90		4104 687772540999	117.50			
WASTE FITTING KA 90 VERTICAL Chrome waste cover, hair catcher included. Universally applicable for FR and ESR. Optional accessories: enamelled waste cover for KA 90		4110 687772610999	149.50			
WASTE COVER KA 90 in addition to the fittings 4109, 4104, 4110 enamelled		68777259xxxx		39.50	78.50	
OPTIONAL: KALDEWEI PROFESSIONAL INSTALLATION ●¹			PRICE	(I)	(II), (III)	
SHOWER TRAY FOOT FRAME FR 5300 Size adjustment up to 1200 x 1200		530000130000	124.50			
CENTRAL SUPPORT SYSTEM MAS 5305 required for shower trays larger than 900 mm		688076530000	25.50			
OPTIONAL: KALDEWEI PROFESSIONAL WATERPROOF ●¹			PRICE	(I)	(II), (III)	
SEALING KIT FLOOR-LEVEL		689720490000	143.50			
SEALING KIT FLEX		689720520000	48.50			
CUT PROTECTION TAPE 6,6M for shower surfaces > 1000 x 1200 mm		689720580000	91.50			
OPTIONAL: KALDEWEI SILENCE PLUS ●¹			PRICE	(I)	(II), (III)	
SHOWER TRAY SOUND ABSORBING SET DW-ADS		687675720000	34.50			



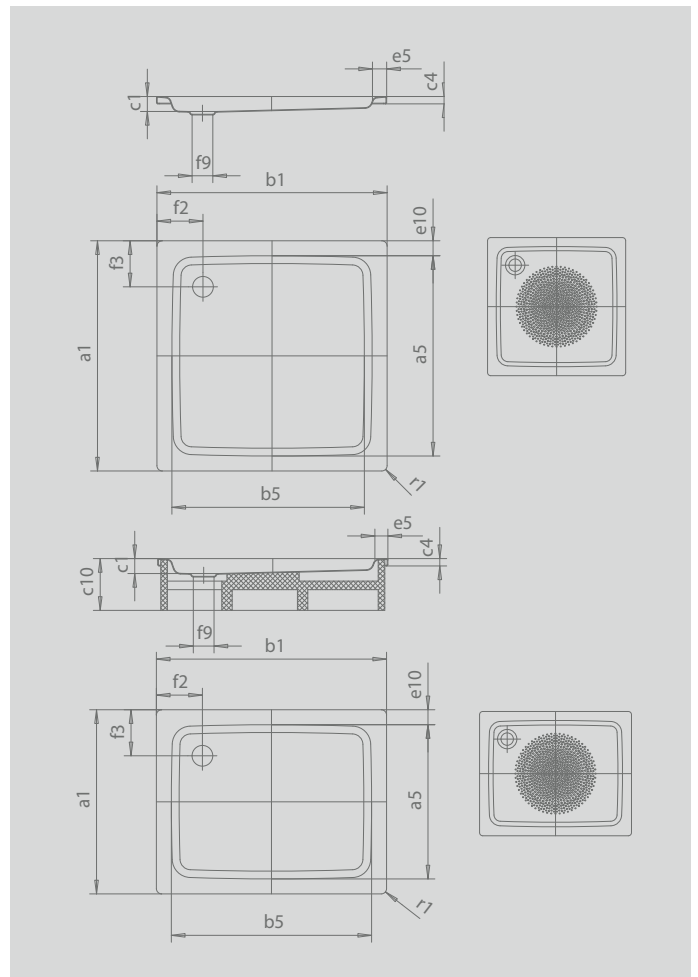
DUSCHPLAN

- a classic among shower trays
- modern, clear design only 65 mm deep
- available in rectangular or square design
- made of KALDEWEI steel enamel
- flush-fitting recessed waste cover (only in combination with the KA 90 waste fittings)



Similar illustration

	Total height		Fitting height	
	421	422	421	422
Model-1				
KA 90 horizontal	145	145	80	80
KA 90 flat	125	125	60	60
KA 90 vertical	49	49	80	80
Model-2	160	160		



Model		421	422
External length	a_1	1000	1200 mm
Internal length	a_5	870	1070 mm
External width	b_1	1200	1200 mm
Internal width	b_5	1070	1070 mm
Depth inside	c_1	65	65 mm
Height of rim	c_4	32	32 mm
Height with support	c_{10}	160	160 mm
Width of rim	e_5	65	65 mm
Diameter of waste hole	f_9	Ø 90	Ø 90 mm
Distance bath edge to centre of waste hole	$f_2; f_3$	200; 200	200; 200 mm
External radius	r_1	12	12 mm
Net weight		33	39 kg
Diameter of anti-slip		Ø 588	Ø 588 mm

Subject to technical alterations, tolerances and errors. Similar illustration.

KALDEWEI

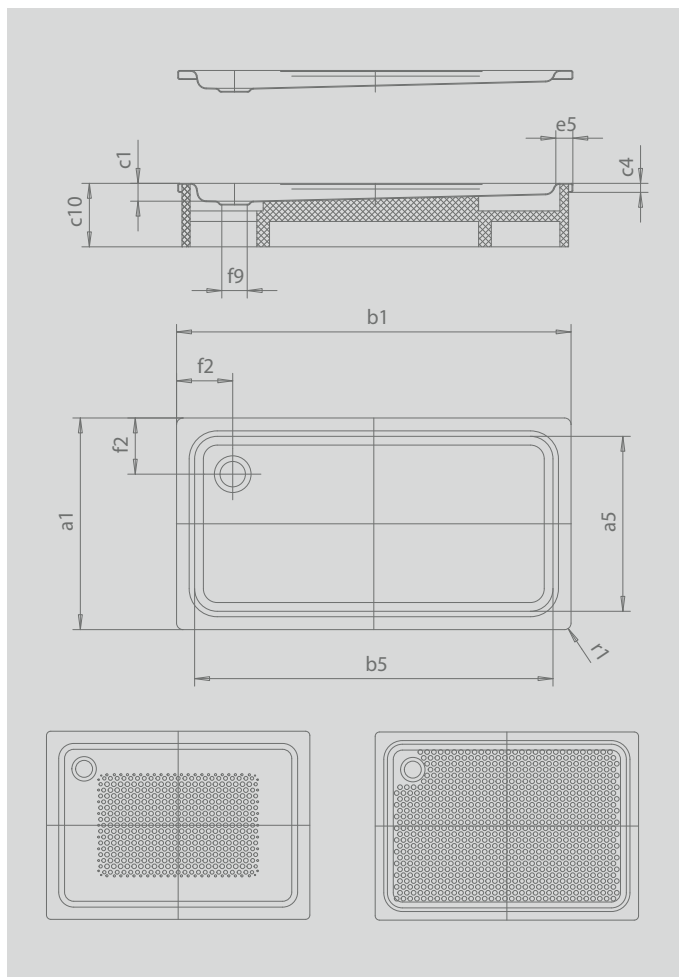


	Drain Hole	Model Order No.	Dimensions mm	Colour price groups		GBP
				Alpine White (I)	Sanitary Colours (II, III)	
DUSCHPLAN	Ø 90 mm	421-1 43210001xxxx	1200 x 1000 x 65	534.00	694.00	
		422-1 43220001xxxx	1200 x 1200 x 65	557.00	724.00	
DUSCHPLAN WITH SUPPORT Total height with support: 160 mm	Ø 90 mm	421-2 43214804xxxx	1200 x 1000 x 65	591.00	767.00	
		422-2 43224804xxxx	1200 x 1200 x 65	608.00	790.00	
OPTIONAL: KALDEWEI PERFECTION SURFACE FINISHES			PRICE	(I)	(II), (III)	
EXTRA CHARGE FOR EASY-CLEAN FINISH		xxxxxxx3xxx		82.00	82.00	
PARTIAL ANTI-SLIP Slip-resistant surface, burnt in at certain points over part of the surface				117.50	117.50	
OPTIONAL: KALDEWEI PROFESSIONAL INFLOW/OUTFLOW TECHNOLOGY ●¹			PRICE	(I)	(II), (III)	
WASTE FITTING KA 90 HORIZONTAL Chrome waste cover, hair catcher included. Universally applicable for FR and ESR. Optional accessories: enamelled waste cover for KA 90		4109 687772600999	110.00			
WASTE FITTING KA 90 FLAT Chrome waste cover, hair catcher included. Universally applicable for FR and ESR. Optional accessories: enamelled waste cover for KA 90		4104 687772540999	117.50			
WASTE FITTING KA 90 VERTICAL Chrome waste cover, hair catcher included. Universally applicable for FR and ESR. Optional accessories: enamelled waste cover for KA 90		4110 687772610999	149.50			
WASTE COVER KA 90 in addition to the fittings 4109, 4104, 4110 enamelled		68777259xxxx		39.50	78.50	
OPTIONAL: KALDEWEI PROFESSIONAL INSTALLATION ●¹			PRICE	(I)	(II), (III)	
SHOWER TRAY FOOT FRAME FR 5300 Size adjustment up to 1200 x 1200		530000130000	124.50			
CENTRAL SUPPORT SYSTEM MAS 5305 required for shower trays larger than 900 mm		688076530000	25.50			
OPTIONAL: KALDEWEI PROFESSIONAL WATERPROOF ●¹			PRICE	(I)	(II), (III)	
SEALING KIT FLOOR-LEVEL		689720490000	143.50			
SEALING KIT FLEX		689720520000	48.50			
CUT PROTECTION TAPE 6,6M for shower surfaces > 1000 x 1200 mm		689720580000	91.50			
OPTIONAL: KALDEWEI SILENCE PLUS ●¹			PRICE	(I)	(II), (III)	
SHOWER TRAY SOUND ABSORBING SET DW-ADS		687675720000	34.50			



DUSCHPLAN

- a classic among shower trays
- modern, clear design only 65 mm deep
- available in rectangular or square design
- made of KALDEWEI steel enamel
- flush-fitting recessed waste cover (only in combination with the KA 90 waste fittings)



Similar illustration

Model-1	Total height					Fitting height				
	423	424	425	426	427	423	424	425	426	427
KA 90 horizontal	145	145	145	145	145	80	80	80	80	80
KA 90 flat	125	125	125	125	125	60	60	60	60	60
KA 90 vertical	49	49	49	49	49	80	80	80	80	80
Model-2	160	160	160	160	160					

Model	423	425	427	424	426
External length	a ₁	700	750	1000	750 mm
Internal length	a ₅	570	620	870	570 mm
External width	b ₁	1400	1400	1400	1700 mm
Internal width	b ₅	1270	1270	1270	1570 mm
Depth inside	c ₁	65	65	65	65 mm
Height of rim	c ₄	32	32	32	32 mm
Height with support	c ₁₀	160	160	160	160 mm
Width of rim	e ₅	65	65	65	65 mm
Distance bath edge to centre of waste hole	f ₂	200	200	200	200 mm
Diameter of waste hole	f ₉	Ø 90	Ø 90	Ø 90	Ø 90 mm
External radius	r ₁	12	12	12	12 mm
Net weight	27	29	37	33	36 kg
Anti-slip	300 x 856	300 x 856	549 x 856	300 x 856	300 x 856 mm
Full anti-slip	493 x 1195	555 x 1195	804 x 1195	493 x 1501	555 x 1501 mm

Subject to technical alterations, tolerances and errors. Similar illustration.

KALDEWEI

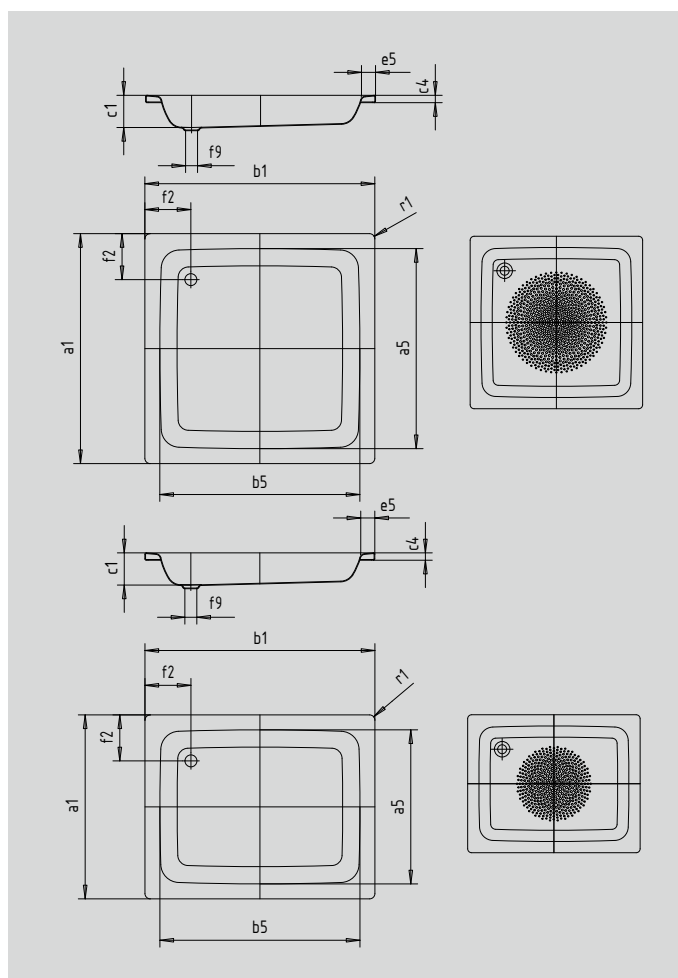
	Drain Hole	Model Order No.	Dimensions mm	Colour price groups		GBP
				Alpine White (I)	Sanitary Colours (II, III)	
DUSCHPLAN	Ø 90 mm	423-1 43230001xxxx	1400 x 700 x 65	592.00	770.00	
		425-1 43250001xxxx	1400 x 750 x 65	592.00	770.00	
		427-1 43270001xxxx	1400 x 1000 x 65	577.00	750.00	
		424-1 43240001xxxx	1700 x 700 x 65	644.00	836.00	
		426-1 43260001xxxx	1700 x 750 x 65	644.00	836.00	
DUSCHPLAN WITH SUPPORT Total height with support: 160 mm	Ø 90 mm	423-2 43234804xxxx	1400 x 700 x 65	667.00	866.00	
		425-2 43254804xxxx	1400 x 750 x 65	667.00	866.00	
		427-2 43274804xxxx	1400 x 1000 x 65	652.00	847.00	
		424-2 43244804xxxx	1700 x 700 x 65	718.00	934.00	
		426-2 43264804xxxx	1700 x 750 x 65	718.00	934.00	
OPTIONAL: KALDEWEI PERFECTION SURFACE FINISHES			PRICE	(I)	(II), (III)	
EXTRA CHARGE FOR EASY-CLEAN FINISH	xxxxxxx3xxx			82.00	82.00	
FULL ANTI-SLIP Fired into the enamel - Slip resistant pattern over almost the entire surface				236.00	236.00	
PARTIAL ANTI-SLIP Slip-resistant surface, burnt in at certain points over part of the surface				117.50	117.50	
OPTIONAL: KALDEWEI PROFESSIONAL INFLOW/OUTFLOW TECHNOLOGY ●¹			PRICE	(I)	(II), (III)	
WASTE FITTING KA 90 HORIZONTAL Chrome waste cover, hair catcher included. Universally applicable for FR and ESR. Optional accessories: enamelled waste cover for KA 90	4109 687772600999		110.00			
WASTE FITTING KA 90 FLAT Chrome waste cover, hair catcher included. Universally applicable for FR and ESR. Optional accessories: enamelled waste cover for KA 90	4104 687772540999		117.50			
WASTE FITTING KA 90 VERTICAL Chrome waste cover, hair catcher included. Universally applicable for FR and ESR. Optional accessories: enamelled waste cover for KA 90	4110 687772610999		149.50			
WASTE COVER KA 90 in addition to the fittings 4109, 4104, 4110 enamelled	68777259xxxx			39.50	78.50	
OPTIONAL: KALDEWEI PROFESSIONAL INSTALLATION ●¹			PRICE	(I)	(II), (III)	
SHOWER TRAY FOOT FRAME FR 5300 Size adjustment up to 1800 x 1500	53000014xxxx		177.00			
CENTRAL SUPPORT SYSTEM MAS 5305 required for shower trays larger than 900 mm	688076530000		25.50			
OPTIONAL: KALDEWEI PROFESSIONAL WATERPROOF ●¹			PRICE	(I)	(II), (III)	
SEALING KIT FLOOR-LEVEL	689720490000		143.50			
SEALING KIT FLEX	689720520000		48.50			
CUT PROTECTION TAPE 6,6M for shower surfaces > 1000 x 1200 mm	689720580000		91.50			
OPTIONAL: KALDEWEI SILENCE PLUS ●¹			PRICE	(I)	(II), (III)	
SHOWER TRAY SOUND ABSORBING SET DW-ADS	687675720000		34.50			

SANIDUSCH

- a classic among shower trays
- modern, clear design
- available in rectangular or square design
- made of KALDEWEI steel enamel



Similar illustration



Model		540	548	395	541	539	549
External length	a_1	700	750	800	700	700	750 mm
Internal length	a_5	620	620	670	620	570	620 mm
External width	b_1	750	800	800	850	900	900 mm
Internal width	b_5	670	670	670	770	770	770 mm
Depth inside	c_1	140	140	140	140	140	140 mm
Height of rim	c_4	32	32	32	32	32	32 mm
Width of rim	e_5	40	65	65	40	65	65 mm
Distance bath edge to centre of waste hole	f_2	175	200	200	175	200	200 mm
Diameter of waste hole	f_9	Ø 52	Ø 52	Ø 52	Ø 52	Ø 52	Ø 52 mm
External radius	r_1	12	12	12	12	12	12 mm
Net weight		17	18	19	19	20	21 kg
Diameter of anti-slip		Ø 289	Ø 435	Ø 435	Ø 435	Ø 435	Ø 435 mm



	Drain Hole	Model Order No.	Dimensions mm	Colour price groups		GBP
				Alpine White (I)	Sanitary Colours (II, III)	
SANIDUSCH	Ø 52 mm	540 44800001xxxx	750 x 700 x 140	348.00	452.00	
		548 33150001xxxx	800 x 750 x 140	207.00	269.00	
		395 33100001xxxx	800 x 800 x 140	180.50	234.50	
		541 44810001xxxx	850 x 700 x 140	348.00	452.00	
		539 44790001xxxx	900 x 700 x 140	356.00	463.00	
		549 33160001xxxx	900 x 750 x 140	192.50	251.00	
		OPTIONAL: KALDEWEI PERFECTION SURFACE FINISHES			PRICE	(I)
EXTRA CHARGE FOR EASY-CLEAN FINISH	xxxxxxx3xxx			82.00	82.00	
PARTIAL ANTI-SLIP Slip-resistant surface, burnt in at certain points over part of the surface				117.50	117.50	
OPTIONAL: KALDEWEI PROFESSIONAL INSTALLATION ●¹			PRICE	(I)	(II), (III)	
SHOWER TRAY FEET UNIVERSAL 5200 Size adjustment up to 900 x 900	5200 584377000000		37.50			
WALL ANCHOR sound insulated, set of 2 pieces	687675130000		24.50			
OPTIONAL: KALDEWEI PROFESSIONAL WATERPROOF ●¹			PRICE	(I)	(II), (III)	
SEALING KIT FLEX	689720520000		48.50			
CUT PROTECTION TAPE 4,6M for shower surfaces ≤ 1000 x 1200 mm	689720570000		63.50			
OPTIONAL: KALDEWEI SILENCE PLUS ●¹			PRICE	(I)	(II), (III)	
SHOWER TRAY SOUND ABSORBING SET DW-ADS	687675720000		34.50			

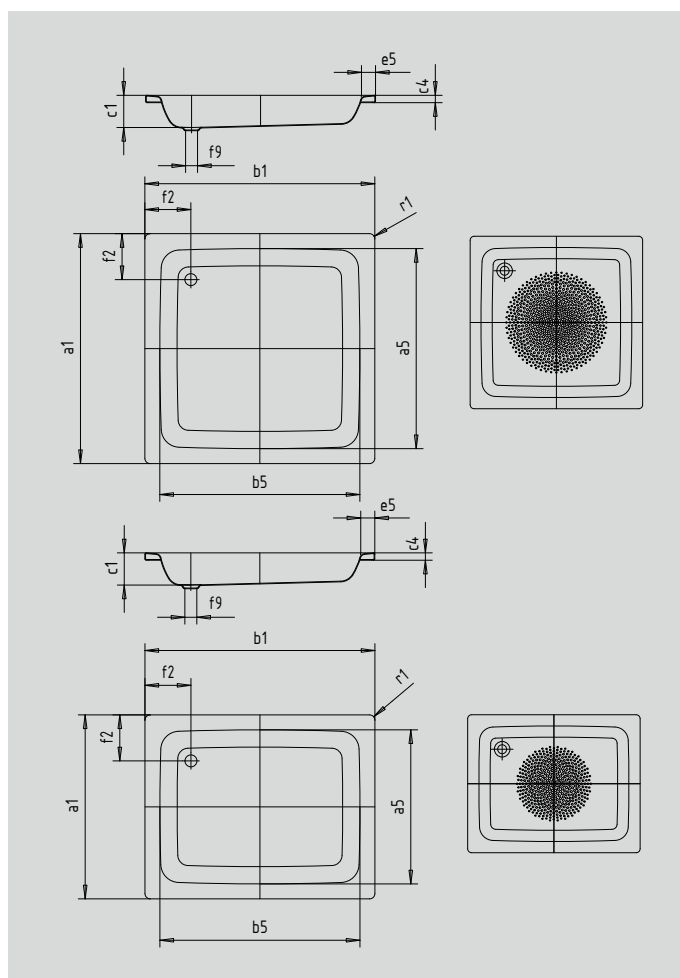


SANIDUSCH

- a classic among shower trays
- modern, clear design
- available in rectangular or square design
- made of KALDEWEI steel enamel



Similar illustration



Model		551	396	550	397	552
External length	a_1	800	900	800	1000	800 mm
Internal length	a_5	670	770	670	870	670 mm
External width	b_1	900	900	1000	1000	1200 mm
Internal width	b_5	770	770	870	870	1070 mm
Depth inside	c_1	140	140	140	140	140 mm
Height of rim	c_4	32	32	32	32	32 mm
Width of rim	e_5	65	65	65	65	65 mm
Distance bath edge to centre of waste hole	f_2	200	200	200	200	200 mm
Diameter of waste hole	f_9	Ø 52	Ø 52	Ø 52	Ø 52	Ø 52 mm
External radius	r_1	12	12	12	12	12 mm
Net weight		22	25	24	29	28 kg
Diameter of anti-slip		Ø 435	Ø 435	Ø 435	Ø 588	Ø 435 mm



	Drain Hole	Model Order No.	Dimensions mm	Colour price groups		GBP
				Alpine White (I)	Sanitary Colours (II, III)	
SANIDUSCH	Ø 52 mm	551 44080001xxxx	900 x 800 x 140	356.00	463.00	
		396 33110001xxxx	900 x 900 x 140	186.00	241.00	
		550 44060001xxxx	1000 x 800 x 140	524.00	680.00	
		397 44070001xxxx	1000 x 1000 x 140	604.00	785.00	
		552 44830001xxxx	1200 x 800 x 140	593.00	770.00	
		OPTIONAL: KALDEWEI PERFECTION SURFACE FINISHES			PRICE	(I)
EXTRA CHARGE FOR EASY-CLEAN FINISH	xxxxxxx3xxx			82.00	82.00	
PARTIAL ANTI-SLIP Slip-resistant surface, burnt in at certain points over part of the surface				117.50	117.50	
OPTIONAL: KALDEWEI PROFESSIONAL INSTALLATION ●¹			PRICE	(I)	(II), (III)	
SHOWER TRAY FEET UNIVERSAL 5200 Size adjustment up to 900 x 900	5200 584377000000		37.50			
SHOWER TRAY FOOT FRAME FR 5300 Size adjustment up to 1200 x 1200	530000130000		124.50			
WALL ANCHOR sound insulated, set of 2 pieces	687675130000		24.50			
OPTIONAL: KALDEWEI PROFESSIONAL WATERPROOF ●¹			PRICE	(I)	(II), (III)	
SEALING KIT FLEX	689720520000		48.50			
CUT PROTECTION TAPE 4,6M for shower surfaces ≤ 1000 x 1200 mm	689720570000		63.50			
CUT PROTECTION TAPE 6,6M for shower surfaces > 1000 x 1200 mm	689720580000		91.50			
OPTIONAL: KALDEWEI SILENCE PLUS ●¹			PRICE	(I)	(II), (III)	
SHOWER TRAY SOUND ABSORBING SET DW-ADS	687675720000		34.50			

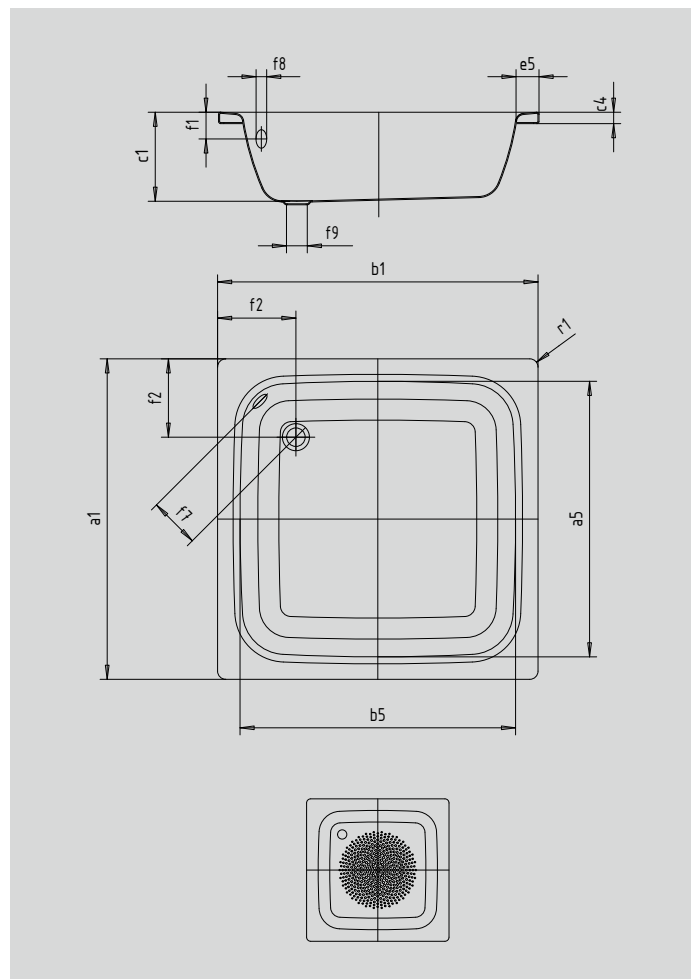


SANIDUSCH

- a classic among shower trays
- modern, clear design
- available in rectangular or square design
- made of KALDEWEI steel enamel



Similar illustration



Model		558	495	559	496
External length	a_1	750	800	750	900 mm
Internal length	a_5	620	670	620	770 mm
External width	b_1	800	800	900	900 mm
Internal width	b_5	670	670	770	770 mm
Depth inside	c_1	250	250	250	250 mm
Height of rim	c_4	32	32	32	32 mm
Width of rim	e_5	65	65	65	65 mm
Distance top edge to centre of overflow hole	f_1	75	75	75	75 mm
Distance bath edge to centre of waste hole	f_2	220	220	220	220 mm
Distance centre of waste hole to centre of overflow hole	f_7	125	125	125	125 mm
Diameter of overflow hole	f_8	Ø 52	Ø 52	Ø 52	Ø 52 mm
Diameter of waste hole	f_9	Ø 52	Ø 52	Ø 52	Ø 52 mm
External radius	r_1	12	12	12	12 mm
Net weight		24	25	26	32 kg
Diameter of anti-slip		Ø 289	Ø 289	Ø 289	Ø 435 mm

Subject to technical alterations, tolerances and errors. Similar illustration.

KALDEWEI



	Drain Hole	Model Order No.	Dimensions mm	Colour price groups		GBP
				Alpine White (I)	Sanitary Colours (II, III)	
SANIDUSCH with overflow hole	Ø 52 mm	558 33250001xxxx	800 x 750 x 250	331.00	431.00	
		495 33200001xxxx	800 x 800 x 250	315.00	409.00	
		559 33260001xxxx	900 x 750 x 250	331.00	431.00	
		496 33210001xxxx	900 x 900 x 250	327.00	425.00	
OPTIONAL: KALDEWEI PERFECTION SURFACE FINISHES			PRICE	(I)	(II), (III)	
EXTRA CHARGE FOR EASY-CLEAN FINISH	xxxxxxx3xxx			82.00	82.00	
PARTIAL ANTI-SLIP Slip-resistant surface, burnt in at certain points over part of the surface				117.50	117.50	
OPTIONAL: KALDEWEI PROFESSIONAL INSTALLATION ●¹			PRICE	(I)	(II), (III)	
SHOWER TRAY FEET UNIVERSAL 5200 Size adjustment up to 900 x 900	5200 58437700000		37.50			
WALL ANCHOR sound insulated, set of 2 pieces	687675130000		24.50			
OPTIONAL: KALDEWEI PROFESSIONAL WATERPROOF ●¹			PRICE	(I)	(II), (III)	
SEALING KIT FLEX	689720520000		48.50			
CUT PROTECTION TAPE 4,6M for shower surfaces ≤ 1000 x 1200 mm	689720570000		63.50			
OPTIONAL: KALDEWEI SILENCE PLUS ●¹			PRICE	(I)	(II), (III)	
SHOWER TRAY SOUND ABSORBING SET DW-ADS	687675720000		34.50			



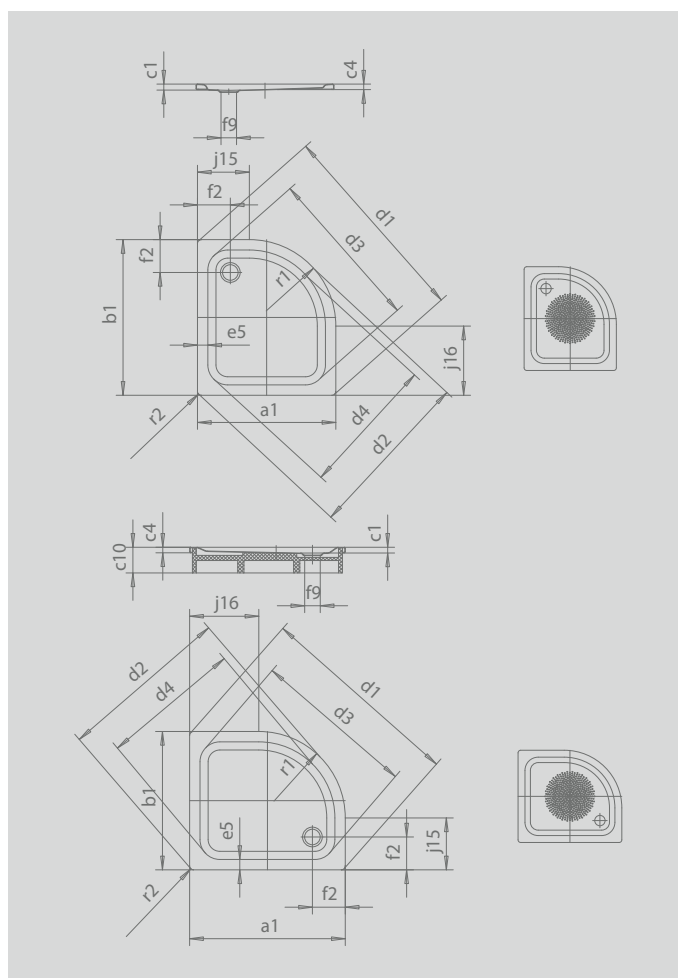
ZIRKON

- clear design, large standing area
- side waste
- elegant, functional quadrant form allows it to be intelligently installed even in the smallest of spaces
- made of KALDEWEI steel enamel
- flush-fitting recessed waste cover (only in combination with the KA 90 waste fittings)



Similar illustration

Model-1	Total height						Fitting height					
	501	502	601	602	603	605	501	502	601	602	603	605
KA 90 horizontal	115	115	115	115	115	115	80	80	80	80	80	80
KA 90 flat	95	95	95	95	95	95	60	60	60	60	60	60
KA 90 vertical	49	49	49	49	49	49	80	80	80	80	80	80
Model-2	130	130	130	130	130	130						



Model		501	603	605	502	601	602
External length	a_1	900	900	1000	750	800	800 mm
External width	b_1	750	800	800	900	900	1000 mm
Depth inside	c_1	35	35	35	35	35	35 mm
Height of rim	c_4	32	32	32	32	32	32 mm
Height with support	c_{10}	130	130	130	130	130	130 mm
Width across corners - external length	d_1	1155	1185	1262	1155	1185	1262 mm
Width across corners - external width	d_2	964	990	1075	964	990	1075 mm
Width across corners - internal length	d_3	910	940	1020	910	940	1020 mm
Width across corners - internal width	d_4	792	812	903	792	812	903 mm
Width of rim	e_5	55	55	55	55	55	55 mm
Distance bath edge to centre of waste hole	f_2	190	190	190	190	190	190 mm
Diameter of waste hole	f_9	Ø 90	Ø 90	Ø 90	Ø 90	Ø 90	Ø 90 mm
Side length	j_{15}	400	400	500	250	300	300 mm
Side length	j_{16}	250	300	300	400	400	500 mm
External radius	r_1	500	500	500	500	500	500 mm
External radius	r_2	23	23	23	23	23	23 mm
Net weight		17	20	21	17	19	21 kg
Diameter of anti-slip		Ø 435	Ø 435	Ø 435	Ø 435	Ø 435	Ø 435 mm

Subject to technical alterations, tolerances and errors. Similar illustration.

KALDEWEI

	Drain Hole	Model Order No.	Dimensions mm	Colour price groups			GBP Coord. Colours (IV)
				Alpine White (I)	Sanitary Colours (II, III)		
ZIRKON	Ø 90 mm	501-1 4555 0001 xxxx	750 x 900 x 35	824.00	1,070.00	908.00	
		603-1 4568 0001 xxxx	800 x 900 x 35	824.00	1,070.00	908.00	
		605-1 4570 0001 xxxx	800 x 1000 x 35	824.00	1,070.00	908.00	
		502-1 4556 0001 xxxx	900 x 750 x 35	824.00	1,070.00	908.00	
		601-1 4566 0001 xxxx	900 x 800 x 35	824.00	1,070.00	908.00	
		602-1 4567 0001 xxxx	1000 x 800 x 35	824.00	1,070.00	908.00	
		ZIRKON WITH SUPPORT Total height incl. support: 130 mm	Ø 90 mm	501-2 4555 4804 xxxx	750 x 900 x 35	975.00	1,267.00
603-2 4568 4804 xxxx	800 x 900 x 35			975.00	1,267.00	1,072.00	
605-2 4570 4804 xxxx	800 x 1000 x 35			975.00	1,267.00	1,072.00	
502-2 4556 4804 xxxx	900 x 750 x 35			975.00	1,267.00	1,072.00	
601-2 4566 4804 xxxx	900 x 800 x 35			975.00	1,267.00	1,072.00	
602-2 4567 4804 xxxx	1000 x 800 x 35			975.00	1,267.00	1,072.00	
OPTIONAL: KALDEWEI PERFECTION SURFACE FINISHES				PRICE	(I)	(II), (III)	(IV)
EXTRA CHARGE FOR EASY-CLEAN FINISH	xxxxxxx3xxx			82.00	82.00	82.00	
PARTIAL ANTI-SLIP Slip-resistant surface, burnt in at certain points over part of the surface				117.50	117.50		
OPTIONAL: KALDEWEI PROFESSIONAL INFLOW/OUTFLOW TECHNOLOGY •¹			PRICE	(I)	(II), (III)	(IV)	
WASTE FITTING KA 90 HORIZONTAL Chrome waste cover, hair catcher included. Universally applicable for FR and ESR. Optional accessories: enamelled waste cover for KA 90	4109 687772600999	110.00					
WASTE FITTING KA 90 FLAT Chrome waste cover, hair catcher included. Universally applicable for FR and ESR. Optional accessories: enamelled waste cover for KA 90	4104 687772540999	117.50					
WASTE FITTING KA 90 VERTICAL Chrome waste cover, hair catcher included. Universally applicable for FR and ESR. Optional accessories: enamelled waste cover for KA 90	4110 687772610999	149.50					
WASTE COVER KA 90 in addition to the fittings 4109, 4104, 4110 enamelled	68777259xxxx			39.50	78.50	39.50	
OPTIONAL: KALDEWEI PROFESSIONAL INSTALLATION •¹			PRICE	(I)	(II), (III)	(IV)	
SHOWER TRAY FOOT FRAME FR 5300 Size adjustment up to 1000 x 1000	5300 5300 0016 0000	131.00					
CENTRAL SUPPORT SYSTEM MAS 5305 required for shower trays larger than 900 mm	688076530000	25.50					
OPTIONAL: KALDEWEI PROFESSIONAL WATERPROOF •¹			PRICE	(I)	(II), (III)	(IV)	
SEALING KIT FLOOR-LEVEL QUADRANT	689720510000	143.50					
SEALING KIT FLEX	689720520000	48.50					
CUT PROTECTION TAPE 4,6M for shower surfaces ≤ 1000 x 1200 mm	689720570000	63.50					
OPTIONAL: KALDEWEI SILENCE PLUS •¹			PRICE	(I)	(II), (III)	(IV)	
SHOWER TRAY SOUND ABSORBING SET DW-ADS	687675720000	34.50					

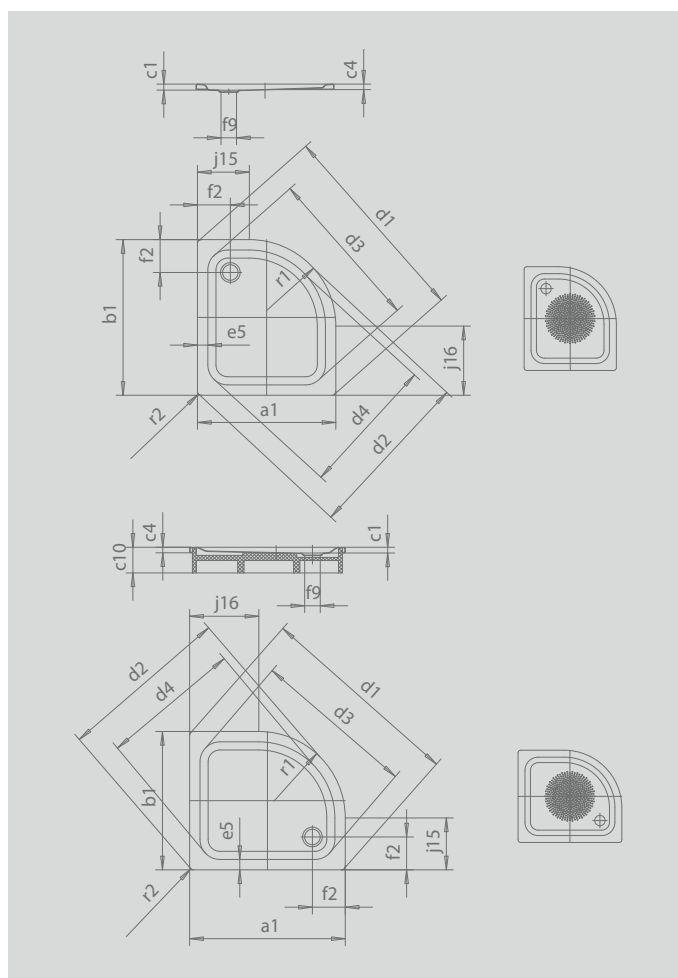
ZIRKON

- clear design, large standing area
- side waste
- elegant, functional quadrant form allows it to be intelligently installed even in the smallest of spaces
- made of KALDEWEI steel enamel
- flush-fitting recessed waste cover (only in combination with the KA 90 waste fittings)



Similar illustration

Model-1	Total height			Fitting height		
	600	604	606	600	604	606
KA 90 horizontal	115	115	115	80	80	80
KA 90 flat	95	95	95	60	60	60
KA 90 vertical	49	49	49	80	80	80
Model-2	130	130	130			



Model		600	604	606
External length	a_1	800	900	1000 mm
External width	b_1	800	900	1000 mm
Depth inside	c_1	35	35	35 mm
Height of rim	c_4	32	32	32 mm
Height with support	c_{10}	130	130	130 mm
Width across corners - external length	d_1	1115	1256	1397 mm
Width across corners - external width	d_2	916	1057	1198 mm
Width across corners - internal length	d_3	866	1007	1150 mm
Width across corners - internal width	d_4	730	870	1015 mm
Width of rim	e_5	55	55	55 mm
Distance bath edge to centre of waste hole	f_2	190	190	190 mm
Diameter of waste hole	f_9	Ø 90	Ø 90	Ø 90 mm
Side length	j_6	300	400	500 mm
External radius	r_1	500	500	500 mm
External radius	r_2	20	20	20 mm
Net weight		17	22	26 kg
Diameter of anti-slip		Ø 435	Ø 435	Ø 588 mm

Subject to technical alterations, tolerances and errors. Similar illustration.

KALDEWEI



	Drain Hole	Model Order No.	Dimensions mm	Colour price groups			GBP
				Alpine White (I)	Sanitary Colours (II, III)	Coord. Colours (IV)	
ZIRKON	Ø 90 mm	600-1 45650001xxxx	800 x 800 x 35	591.00	766.00	649.00	
		604-1 45690001xxxx	900 x 900 x 35	591.00	766.00	649.00	
		606-1 45710001xxxx	1000 x 1000 x 35	664.00	863.00	731.00	
ZIRKON WITH SUPPORT Total height incl. support: 130 mm	Ø 90 mm	600-2 45654804xxxx	800 x 800 x 35	746.00	967.00	820.00	
		604-2 45694804xxxx	900 x 900 x 35	746.00	967.00	820.00	
		606-2 45714804xxxx	1000 x 1000 x 35	820.00	1,066.00	902.00	
OPTIONAL: KALDEWEI PERFECTION SURFACE FINISHES			PRICE	(I)	(II), (III)	(IV)	
EXTRA CHARGE FOR EASY-CLEAN FINISH		xxxxxxx3xxx		82.00	82.00	82.00	
PARTIAL ANTI-SLIP Slip-resistant surface, burnt in at certain points over part of the surface				117.50	117.50		
OPTIONAL: KALDEWEI PROFESSIONAL INFLOW/OUTFLOW TECHNOLOGY ●¹			PRICE	(I)	(II), (III)	(IV)	
WASTE FITTING KA 90 HORIZONTAL Chrome waste cover, hair catcher included. Universally applicable for FR and ESR. Optional accessories: enamelled waste cover for KA 90		4109 687772600999	110.00				
WASTE FITTING KA 90 FLAT Chrome waste cover, hair catcher included. Universally applicable for FR and ESR. Optional accessories: enamelled waste cover for KA 90		4104 687772540999	117.50				
WASTE FITTING KA 90 VERTICAL Chrome waste cover, hair catcher included. Universally applicable for FR and ESR. Optional accessories: enamelled waste cover for KA 90		4110 687772610999	149.50				
WASTE COVER KA 90 in addition to the fittings 4109, 4104, 4110 enamelled		68777259xxxx		39.50	78.50	39.50	
OPTIONAL: KALDEWEI PROFESSIONAL INSTALLATION ●¹			PRICE	(I)	(II), (III)	(IV)	
SHOWER TRAY FOOT FRAME FR 5300 Size adjustment up to 1000 x 1000		5300 530000160000	131.00				
CENTRAL SUPPORT SYSTEM MAS 5305 required for shower trays larger than 900 mm		688076530000	25.50				
OPTIONAL: KALDEWEI PROFESSIONAL WATERPROOF ●¹			PRICE	(I)	(II), (III)	(IV)	
SEALING KIT FLOOR-LEVEL QUADRANT		689720510000	143.50				
SEALING KIT FLEX		689720520000	48.50				
CUT PROTECTION TAPE 4,6M for shower surfaces ≤ 1000 x 1200 mm		689720570000	63.50				
OPTIONAL: KALDEWEI SILENCE PLUS ●¹			PRICE	(I)	(II), (III)	(IV)	
SHOWER TRAY SOUND ABSORBING SET DW-ADS		687675720000	34.50				



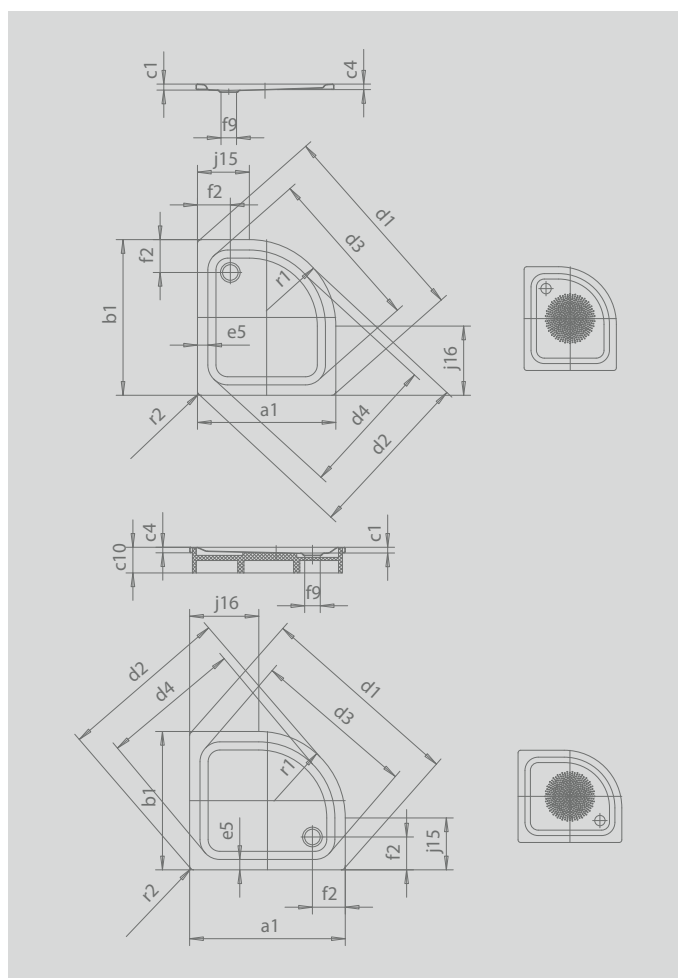
ZIRKON

- clear design, large standing area
- side waste
- elegant, functional quadrant form allows it to be intelligently installed even in the smallest of spaces
- made of KALDEWEI steel enamel
- flush-fitting recessed waste cover (only in combination with the KA 90 waste fittings)



Similar illustration

	Total height			Fitting height		
	510	511	513	510	511	513
Model-1						
KA 90 horizontal	145	145	145	80	80	80
KA 90 flat	125	125	125	60	60	60
KA 90 vertical	49	49	49	80	80	80
Model-2	160	160	160			



Model		511	513	510
External length	a_1	800	900	1000 mm
External width	b_1	800	900	1000 mm
Depth inside	c_1	65	65	65 mm
Height of rim	c_4	32	32	32 mm
Height with support	c_{10}	160	160	160 mm
Width across corners - external length	d_1	1115	1256	1397 mm
Width across corners - external width	d_2	916	1057	1198 mm
Width across corners - internal length	d_3	876	1018	1149 mm
Width across corners - internal width	d_4	742	883	1015 mm
Width of rim	e_5	55	55	55 mm
Distance bath edge to centre of waste hole	f_2	190	190	190 mm
Diameter of waste hole	f_9	Ø 90	Ø 90	Ø 90 mm
Side length	j_6	300	400	500 mm
External radius	r_1	500	500	500 mm
External radius	r_2	20	20	20 mm
Net weight		17	22	27 kg
Diameter of anti-slip		Ø 435	Ø 435	Ø 588 mm

Subject to technical alterations, tolerances and errors. Similar illustration.







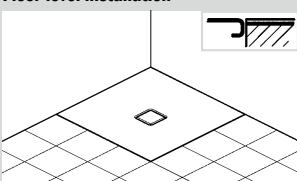
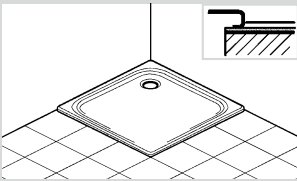
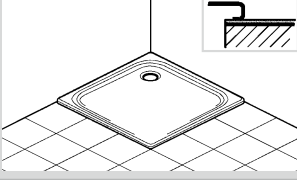
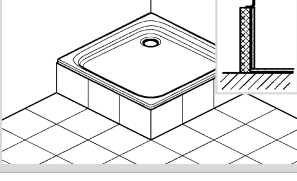
KALDEWEI



	Drain Hole	Model Order No.	Dimensions mm	Colour price groups		GBP
				Alpine White (I)	Sanitary Colours (II, III)	
ZIRKON	Ø 90 mm	511-1 45200001xxxx	800 x 800 x 65	591.00	766.00	
		513-1 45220001xxxx	900 x 900 x 65	591.00	766.00	
		510-1 45640001xxxx	1000 x 1000 x 65	664.00	863.00	
ZIRKON WITH SUPPORT Total height with support: 160 mm	Ø 90 mm	511-2 45204804xxxx	800 x 800 x 65	749.00	975.00	
		513-2 45224804xxxx	900 x 900 x 65	749.00	975.00	
		510-2 45644804xxxx	1000 x 1000 x 65	824.00	1,070.00	
OPTIONAL: KALDEWEI PERFECTION SURFACE FINISHES			PRICE	(I)	(II), (III)	
EXTRA CHARGE FOR EASY-CLEAN FINISH		xxxxxxx3xxx		82.00	82.00	
PARTIAL ANTI-SLIP Slip-resistant surface, burnt in at certain points over part of the surface				117.50	117.50	
OPTIONAL: KALDEWEI PROFESSIONAL INFLOW/OUTFLOW TECHNOLOGY ●¹			PRICE	(I)	(II), (III)	
WASTE FITTING KA 90 HORIZONTAL Chrome waste cover, hair catcher included. Universally applicable for FR and ESR. Optional accessories: enamelled waste cover for KA 90		4109 687772600999	110.00			
WASTE FITTING KA 90 FLAT Chrome waste cover, hair catcher included. Universally applicable for FR and ESR. Optional accessories: enamelled waste cover for KA 90		4104 687772540999	117.50			
WASTE FITTING KA 90 VERTICAL Chrome waste cover, hair catcher included. Universally applicable for FR and ESR. Optional accessories: enamelled waste cover for KA 90		4110 687772610999	149.50			
WASTE COVER KA 90 in addition to the fittings 4109, 4104, 4110 enamelled		68777259xxxx		39.50	78.50	
OPTIONAL: KALDEWEI PROFESSIONAL INSTALLATION ●¹			PRICE	(I)	(II), (III)	
SHOWER TRAY FOOT FRAME FR 5300 Size adjustment up to 1000 x 1000		5300 530000160000	131.00			
CENTRAL SUPPORT SYSTEM MAS 5305 required for shower trays larger than 900 mm		688076530000	25.50			
OPTIONAL: KALDEWEI PROFESSIONAL WATERPROOF ●¹			PRICE	(I)	(II), (III)	
SEALING KIT FLOOR-LEVEL QUADRANT		689720510000	143.50			
SEALING KIT FLEX		689720520000	48.50			
CUT PROTECTION TAPE 4,6M for shower surfaces ≤ 1000 x 1200 mm		689720570000	63.50			
OPTIONAL: KALDEWEI SILENCE PLUS ●¹			PRICE	(I)	(II), (III)	
SHOWER TRAY SOUND ABSORBING SET DW-ADS		687675720000	34.50			



INSTALLATION

INSTALLATION SYSTEMS FOR SHOWER TRAYS AND ENAMELLED SHOWER SURFACES						
	ESR FLOOR-LEVEL INSTALLATION SYSTEM	SHOWER TRAY FOOT FRAME FR 5300 FLEX/ 5300 FLEX PLUS	PROFILE SUPPORT LOW PROFILE SUPPORT (CAYONOPLAN/ SUPERPLAN)	SHOWER TRAY FEET UNIVERSAL 5200*	NEXSYS SYSTEMBOARD SBN	FR 5350 XETIS
Our suggestion for optimal installation	 + MAS 5305 or MAS 5315 (depending on shower surface)	 + MAS 5305 or MAS 5315 (depending on shower surface)				 + MAS 5305
Floor-level installation 	✓	✓ + sealing kit floor-level			✓	✓ + XDS
Virtually floor-level installation 		✓ + sealing kit FLEX**	✓ + sealing kit FLEX**			
Low profile installation 		✓ + sealing kit FLEX**	✓ + sealing kit FLEX**			
Raised installation 		✓ + sealing kit FLEX**	✓ with support + sealing kit FLEX**	✓ + sealing kit FLEX**		
* only for shower trays up to 90 x 900 mm from 65 mm and deeper ** Sealing kit FLEX-seals the joint between rim and wall of shower surfaces not installed flush to floor						

INSTALLATION

TOTAL HEIGHTS AND FITTING HEIGHTS

Total heights and fitting heights for shower surfaces with horizontal waste fitting

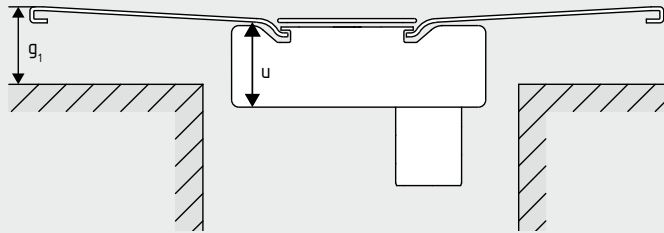
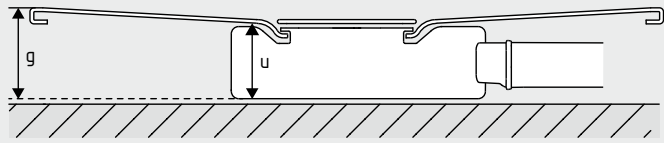
The total height (= g) is measured from the upper edge of the shower surface to the lower edge of the bottle trap (for floor-level installation: upper edge of shower surface = finished floor level). It includes the integrated slope and the material thickness. If a lower height is required, waste fittings with horizontal waste may need to be installed in a floor recess.

Fitting heights

The fitting height (=u) is measured from the standing area to the lower edge of the bottle trap. It is comparable to the fitting heights largely indicated for systems used in tiled shower areas.

Total heights for shower surfaces with vertical waste fitting

The total height vertically (=g₁) is measured from the upper edge of the shower surface to the unfinished floor level (for floor-level installation: upper edge of shower surface = finished floor level). The figures are based on the minimum settings of ESR floor-level and FR5300 FLEX. The vertical waste fitting is recessed in the floor.



CONOFLAT, SUPERPLAN PLUS with KA 120

Siphonvariante	CONOFLAT		SUPERPLAN PLUS 25 mm		SUPERPLAN PLUS 52 mm							
	g	u	g	u	g	u						
KA 120 horizontal	106	83	108	83	135	83						
	g ₁	u	g ₁	u	g ₁	u						
KA 120 flat	86	63	88	63	115	63						
KA 120 vertical	49	83	49	83	49	83						

XETIS with KA 200

Siphonvariante	XETIS											
	g	u										
KA 200	112	87										

CAYONOPLAN, CORNEZZA, ARRONDO, DUSCHPLAN, ZIRKON, SUPERPLAN and SCONA with the waste fittings

Siphonvariante	CAYONOPLAN 18 mm		CAYONOPLAN 25 mm		CORNEZZA 25 mm		CORNEZZA 65 mm		ARRONDO 25 mm		ARRONDO 65 mm	
	g	u	g	u	g	u	g	u	g	u	g	u
KA 90 horizontal	98	80	105	80	105	80	145	80	105	80	145	80
KA 90 flat	78	60	85	60	85	60	125	60	85	60	125	60
	g ₁	u	g ₁	u	g ₁	u	g ₁	u	g ₁	u	g ₁	u
KA 90 vertical	49	80	49	80	49	80	49	80	49	80	49	80

Siphonvariante	DUSCHPLAN 65 mm		ZIRKON 35 mm		ZIRKON 65 mm		SUPERPLAN 25 mm		SUPERPLAN ZERO 20 mm		SCONA 23 mm	
	g	u	g	u	g	u	g	u	g	u	g	u
KA 90 horizontal	145	80	115	80	145	80	105	80	100	80	103	80
KA 90 flat	125	60	95	60	125	60	85	60	80	60	83	60
	g ₁	u	g ₁	u	g ₁	u	g ₁	u	g ₁	u	g ₁	u
KA 90 vertical	49	80	49	80	49	80	49	80	49	80	49	80

SUPERPLAN: Based on the following shower tray depths.

Siphonvariante	25 mm		39 mm		40 mm		43 mm		47 mm		51 mm	
	g	u	g	u	g	u	g	u	g	u	g	u
KA 90 horizontal	105	80	119	80	120	80	123	80	127	80	131	80
KA 90 flat	85	60	99	60	100	60	103	60	107	60	111	60
	g ₁	u	g ₁	u	g ₁	u	g ₁	u	g ₁	u	g ₁	u
KA 90 vertical	49	80	49	80	49	80	49	80	49	80	49	80

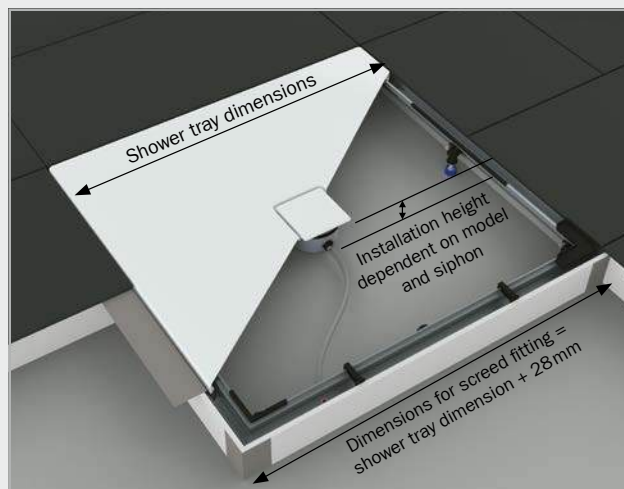
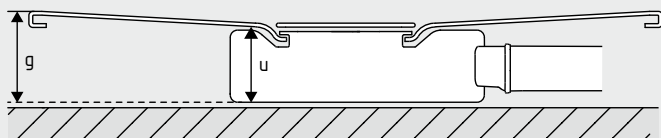
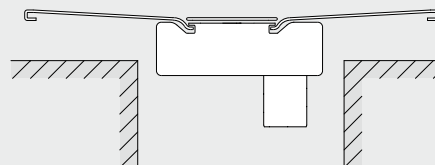
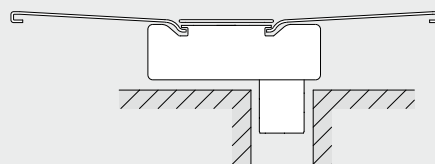
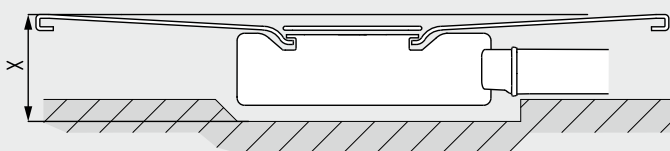
Make sure also to keep a safety distance between the bottle trap and the floor. All dimensions in mm.

INSTALLATION

INSTALLATION SYSTEM ESR FLOOR-LEVEL - PLANNING

Planning the screed recess

- When planning the screed recess, always remember that the ESR II is 28mm wider and longer than the shower tray.
- When laying a new screed floor, the recess may be created using the formwork units supplied.
- The heights will vary depending on the siphon variant and shower tray design. Use the following formula to determine the height.

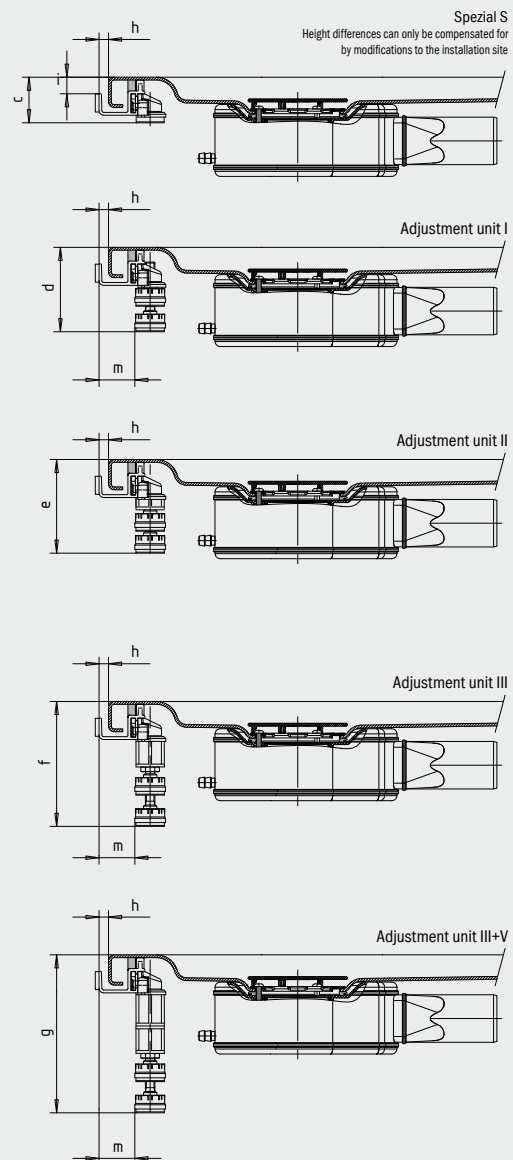
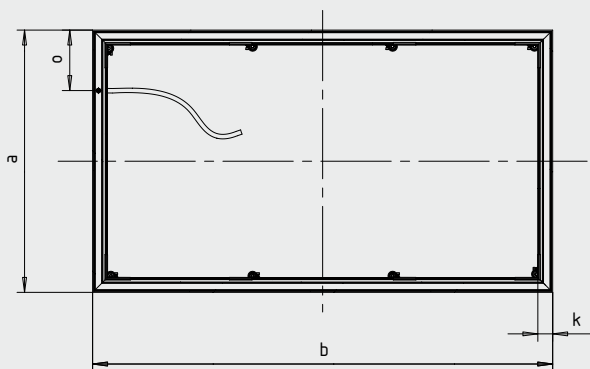
**Planning total heights and fitting heights for lower installation heights**

- Required total heights and fitting heights
- Lower installation heights require floor cut-outs or breakthroughs.
- When installing a flush shower tray, ensure that there is a gap between the siphon and the floor.
- The connection of the siphon to the local waste system and the hose for the anti-seepage connection may need to be pried open.
- KALDEWEI recommends the use of a standard backflow block in the horizontal waste pipe.

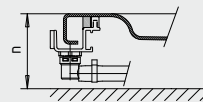
INSTALLATION

INSTALLATION SYSTEM ESR FLOOR-LEVEL

- For easy and secure floor-level installation of rectangular KALDEWEI shower surfaces
- Pre-assembled aluminium frame as perfect fit for the shower surface
- Complete system with all relevant installation components
- 3D Flex leg system with horizontal and vertical adjustment works around any obstacles in the floor
- More flexibility in coordinating trades – ESR can be positioned before or after screed recess, shower surface is installed last, after completion of all screed work and tiling



All adjustable units are included in delivery.



Installed height (non-adjustable)	c ₁	49 mm
Installed height	c ₂	63-77 mm
Installed height	c ₃	75-99 mm
Installed height	c ₄	97-131 mm
Installed height	c ₅	131-164 mm
Space for wall tile	h	10 mm
Top edge frame to top edge shower tray	i	20 mm
Frame width	k	48.5 mm
Recess to foot of frame	m	35 mm
Installation height pipe connection with shower tray	n	80 mm
Drain connection	o	210 mm

* without soundproofing tape

INSTALLATION

INSTALLATION SYSTEM ESR FLOOR-LEVEL

Installation system ESR floor-level	Order no.	Dimensions of shower tray mm	Dimensions of ESR floor-level mm	Number of foot units	GBP
Standard accessories	64000070000	700 x 700	728 x 728	4	• 281.00
	64000069000	800 x 700	828 x 728	4	• 281.00
• SEALING KIT FLOOR-LEVEL ESR with sealing tape, 2 corner profiles, 4 multifunctional corners	64000010000	800 x 750	828 x 778	4	• 281.00
	64000011000	800 x 800	828 x 828	4	• 281.00
	64000012000	900 x 700	928 x 728	4	• 281.00
• Fleece butyl sealing strip for inner sealing	64000013000	900 x 750	928 x 778	4	• 281.00
	64000014000	900 x 800	928 x 828	4	• 281.00
• Pre-fitted sound insulation strip on frame	64000015000	900 x 900	928 x 928	4	• 281.00
	64000068000	1000 x 700	1028 x 728	6	• 281.00
• Sound-insulated 3D Flex leg system (height adjustment 49 to 164 mm) with floor fasteners	64000016000	1000 x 750	1028 x 778	6	• 281.00
	64000017000	1000 x 800	1028 x 828	6	• 281.00
• Allen key for height adjustment of feet	64000018000	1000 x 900	1028 x 928	6	• 281.00
	64000019000	1000 x 1000	1028 x 1028	8	• 281.00
• Recess aids/formwork panels for screed recesses	64000065000	1100 x 700	1128 x 728	6	• 281.00
	64000026000	1100 x 750	1128 x 778	6	• 281.00
• Tiling aid	64000020000	1100 x 800	1128 x 828	6	• 281.00
	64000021000	1100 x 900	1128 x 928	6	• 281.00
Accessories required (not included)	64000053000	1100 x 1000	1128 x 1028	8	• 310.00
• Waste fitting KA with anti-seepage connection	64000066000	1100 x 1100	1128 x 1128	8	• 310.00
	64000022000	1200 x 700	1228 x 728	6	• 310.00
• A central support is recommended for dimensions greater than 900 x 900 mm. We recommend using the KALDEWEI central support system MAS.	64000023000	1200 x 750	1228 x 778	6	• 310.00
	64000024000	1200 x 800	1228 x 828	6	• 310.00
	64000025000	1200 x 900	1228 x 928	6	• 310.00
	64000027000	1200 x 1000	1228 x 1028	8	• 310.00
	64000063000	1200 x 1100	1228 x 1128	8	• 310.00
	64000028000	1200 x 1200	1228 x 1228	8	• 310.00
	64000067000	1300 x 700	1328 x 728	6	• 370.00
	64000064000	1300 x 750	1328 x 778	6	• 370.00
	64000029000	1300 x 800	1328 x 828	6	• 370.00
	64000030000	1300 x 900	1328 x 928	6	• 370.00
	64000031000	1300 x 1000	1328 x 1028	8	• 370.00
	64000032000	1400 x 700	1428 x 728	6	• 370.00
	64000033000	1400 x 750	1428 x 778	6	• 370.00
	64000034000	1400 x 800	1428 x 828	6	• 370.00
	64000035000	1400 x 900	1428 x 928	6	• 370.00
	64000036000	1400 x 1000	1428 x 1028	8	• 370.00
	64000037000	1500 x 700	1528 x 728	6	• 506.00
	64000038000	1500 x 750	1528 x 778	6	• 506.00
	64000054000	1500 x 800	1528 x 828	6	• 506.00
	64000039000	1500 x 900	1528 x 928	6	• 506.00
	64000040000	1500 x 1000	1528 x 1028	8	• 506.00
	64000041000	1500 x 1500	1528 x 1528	8	• 506.00
	64000042000	1600 x 700	1628 x 728	8	• 506.00
	64000043000	1600 x 750	1628 x 778	8	• 506.00
	64000055000	1600 x 800	1628 x 828	8	• 506.00
	64000044000	1600 x 900	1628 x 928	8	• 506.00
	64000045000	1600 x 1000	1628 x 1028	10	• 506.00
	64000046000	1700 x 700	1728 x 728	8	• 506.00
	64000047000	1700 x 750	1728 x 778	8	• 506.00
	64000062000	1700 x 800	1728 x 828	8	• 506.00
	64000048000	1700 x 900	1728 x 928	8	• 506.00
	64000049000	1700 x 1000	1728 x 1028	10	• 506.00
	64000050000	1800 x 800	1828 x 828	8	• 506.00
	64000051000	1800 x 900	1828 x 928	8	• 506.00
	64000052000	1800 x 1000	1828 x 1028	10	• 506.00

OPTIONAL: KALDEWEI PROFESSIONAL INSTALLATION

Kaldewei mounting adhesive, 310 ml for bonding the sealing components	584574690000				• 26.50
---	--------------	--	--	--	---------

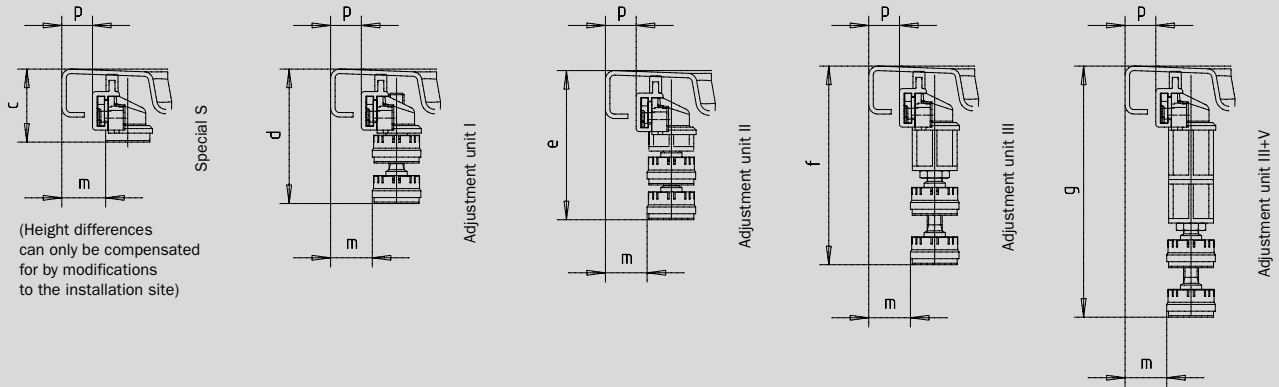
EXTENSION SET FOR ESR II / FR 5300 FLEX / FR 5300 FLEX PLUS

<p>Extension set in combination with ESR FLOOR-LEVEL INSTALLATION SYSTEM</p> <p>Extension set in combination with FR 5300 FLEX / FR 5300 FLEX PLUS</p>	<p>EXTENSION SET in combination with ESR II installation system</p> <p>Installation height, min. a 164 mm</p> <p>Installation height, max. b 250 mm</p> <p>Distance rim of tray to extension unit c 38 mm</p> <p>Distance rim of tray to foot cap d 42 mm</p>								
	<p>EXTENSION SET in combination with FR 5300 FLEX / FR 5300 FLEX PLUS</p> <p>Min. installation height a 164 mm</p> <p>Max. installation height b 250 mm</p> <p>Distance rim of tray to extension unit c 24 mm</p> <p>Distance rim of tray to foot cap d 28 mm</p>								
<p>Ensure correct number of foot units for the installation frame!</p> <p>Extension set for 4 foot units</p> <p>Extension set for 5 foot units</p> <p>Extension set for 6 foot units</p>	<table border="1"> <thead> <tr> <th>Order no.</th> <th>GBP</th> </tr> </thead> <tbody> <tr> <td>640001010000</td> <td>• 53.50</td> </tr> <tr> <td>640001020000</td> <td>• 61.50</td> </tr> <tr> <td>640001030000</td> <td>• 73.00</td> </tr> </tbody> </table>	Order no.	GBP	640001010000	• 53.50	640001020000	• 61.50	640001030000	• 73.00
Order no.	GBP								
640001010000	• 53.50								
640001020000	• 61.50								
640001030000	• 73.00								

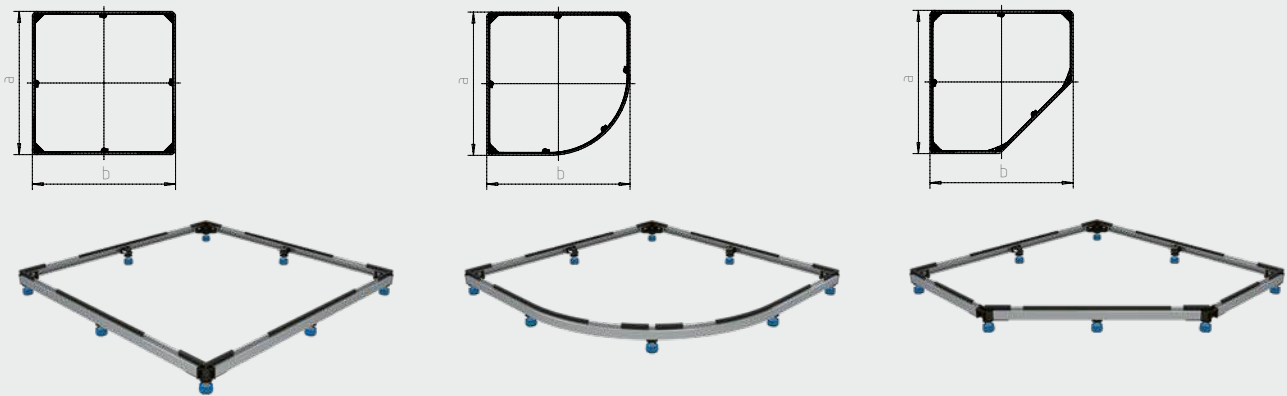
INSTALLATION

SHOWER TRAY FOOT FRAME FR 5300 FLEX

- suitable for flat and ultra flat square shower trays
- size adjustment of maximum 900 x 900 mm or 1200 x 1200 mm and 1800 x 1500 mm for square and rectangular shower trays and 1000 x 1000 mm for quarter-circular and pentagonal shower trays (aluminium connecting profiles can be cut to smaller size)
- feet are sound-insulated; optimum sound insulation to DIN 4109/A1 in conjunction with KALDEWEI sound insulating set DWS



All adjustable units are included in delivery.



		rectangular shower trays			quad circle shower trays	pentagonal shower trays
		90/90	120/120	150/180*	100/100	100/100
External length	a	859	1159	1459	959	959 mm
External width	b	859	1159	1759	959	959 mm
Installed height (nicht verstellbar)	c	49	49	49	49	49 mm
Installed height	d	63-77	63-77	63-77	63-77	63-77 mm
Installed height	e	75-99	75-99	75-99	75-99	75-99 mm
Installed height	f	97-131	97-131	97-131	97-131	97-131 mm
Installed height	g	131-164	131-164	131-164	131-164	131-164 mm
Separation rim of tray to frame profile	p	20	20	20	20	20 mm
Separation rim of tray to foot cap	m	28	28	28	28	28 mm

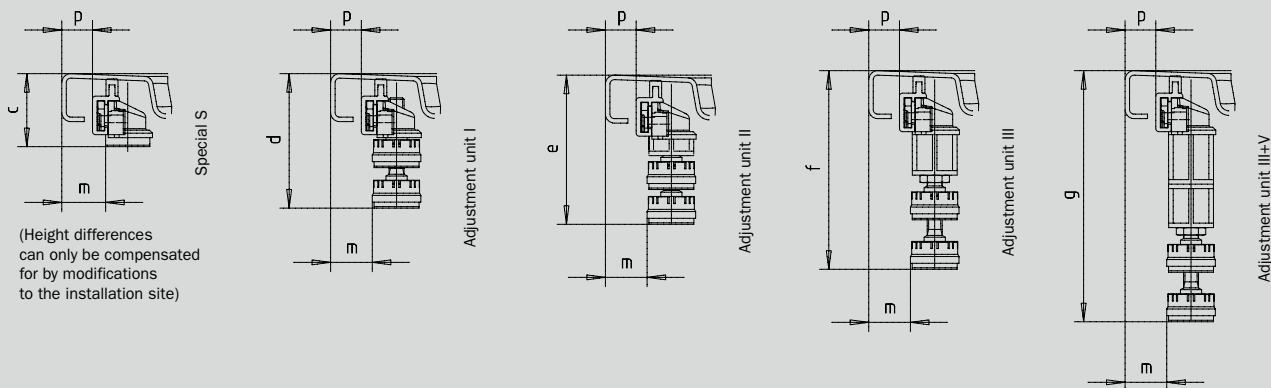
Shower tray foot frame FR 5300 FLEX	Model Order No.	Dimensions mm	Number of foot units	GBP
for CONOFLAT, SUPERPLAN, SUPERPLAN PLUS, DUSCHPLAN, SCONA	5300 530000120000	900 x 900	8	• 113.50
	5300 530000130000	1200 x 1200	8	• 124.50
	5300 530000140000	1800 x 1500	12	• 177.00
for ARRONDO	5300 530000170000	1000 x 1000	8	• 131.00
for ZIRKON	5300 530000160000	1000 x 1000	8	• 131.00
for CORNEZZA	5300 530000150000	1000 x 1000	8	• 137.50

Please take into account: A central support is recommended for dimensions greater than 90 x 900 mm. We recommend using the KALDEWEI central support system MAS.

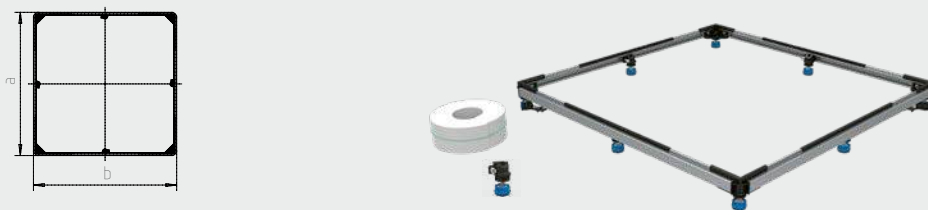
INSTALLATION

SHOWER TRAY FOOT FRAME FR 5300 FLEX PLUS

- suitable for flat and ultra flat square shower trays
- size adjustment of maximum 900 x 900 mm or 1200 x 1200 mm and 1800 x 1500 mm (aluminium connecting profiles can be cut to smaller size)
- feet are sound-insulated; optimum sound insulation to DIN 4109/A1 in conjunction with KALDEWEI sound insulating set DWS
- scope of supply can additionally include: sound insulating strip WAS 70, two ground fasteners, one additional foot unit



All adjustable units are included in delivery.



rectangular shower trays

		90/90	120/120	150/180*
External length	a	859	1159	1459 mm
External width	b	859	1159	1759 mm
Installed height (nicht verstellbar)	c	49	49	49 mm
Installed height	d	63-77	63-77	63-77 mm
Installed height	e	75-99	75-99	75-99 mm
Installed height	f	97-131	97-131	97-131 mm
Installed height	g	131-164	131-164	131-164 mm
Separation rim of tray to frame profile	p	20	20	20 mm
Separation rim of tray to foot cap	m	28	28	28 mm

Shower tray foot frame FR 5300 FLEX PLUS	Model Order No.	Dimensions mm	Number of foot units	GBP
for CONOFLAT, SUPERPLAN, SUPERPLAN PLUS, DUSCHPLAN, SCONA	5300 530000180000	900 x 900	9	• 152.50
	5300 530000190000	1200 x 1200	9	• 161.00
	5300 530000200000	1800 x 1500*	13	• 217.00

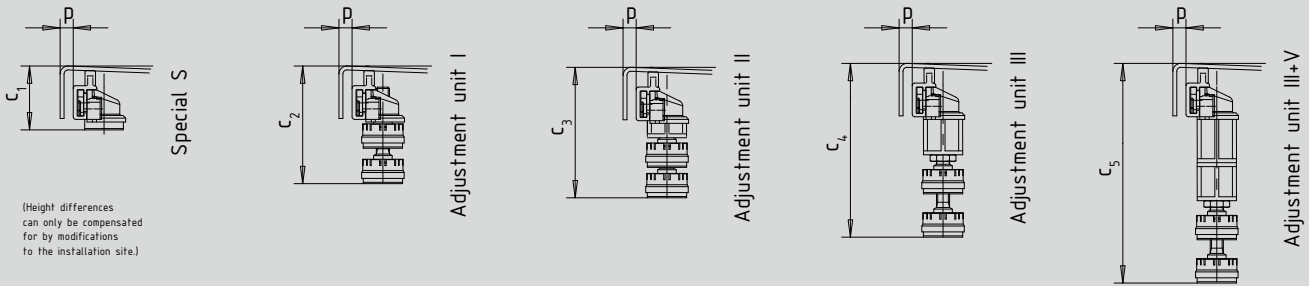
* Suitable for shower trays from 1300 - 1800 mm.

Please take into account: A central support is recommended for dimensions greater than 900 x 900 mm. We recommend using the KALDEWEI central support system MAS.

INSTALLATION

XETIS INSTALLATION SOLUTION FOOT FRAME FR 5350 XETIS

- only suitable for floor-level installation of the XETIS shower surface
- dimensions: 1200 x 900 mm, 1200 x 1200 mm and 1800 x 1000 mm (aluminium connecting profiles can be cut to smaller size)
- feet are sound-insulated; optimum sound insulation to DIN 4109/A1 in conjunction with KALDEWEI sound insulating set DWS



All adjustable units are included in delivery.



Sizes and installed heights		90/120	120/120	100/180
External length		910	1210	1010 mm
External width		1180	1180	1780 mm
Installed height (non-adjustable)	c	49	49	49 mm
Installed height	d	63-77	63-77	63-77 mm
Installed height	e	75-99	75-99	75-99 mm
Installed height	f	97-131	97-131	97-131 mm
Installed height	g	131-164	131-164	131-164 mm
Separation rim of tray to frame profile	p	10	10	10 mm

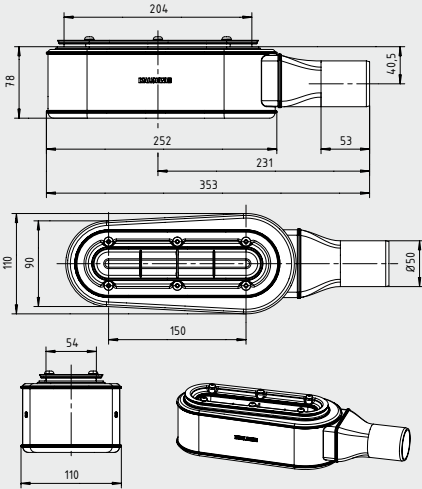
Foot frame FR 5350 XETIS	Model Order No.		GBP
for XETIS	5350 530000290000	Size adjustment up to max. 1200 x 900 mm	• 228.50
	5350 530000280000	Size adjustment up to max. 1200 x 1200 mm	• 266.00
	5350 530000270000	Size adjustment up to max. 1800 x 1000 mm	• 342.00

Please take into account: A central support is recommended for dimensions greater than 900 x 900 mm. We recommend using the KALDEWEI central support system MAS.

INSTALLATION

XETIS INSTALLATION SETS 1, 2 OR 3

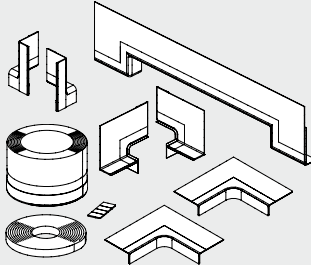
Waste fitting KA 200



Installation cover

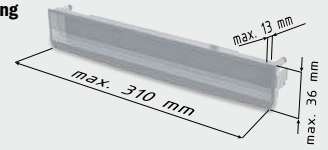


XETIS sealing system XDS



Designer cover for tiling (included in installation set 1)

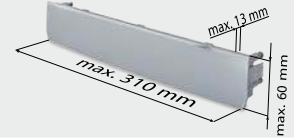
Order No.
687676260000



or

Designer cover polished chrome plate (included in installation set 2)

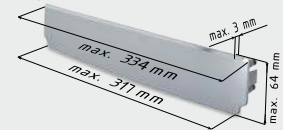
Order No.
687676270000



or

Designer cover, polished chrome, with collar* (included in installation set 3)

Order No.
687676370000

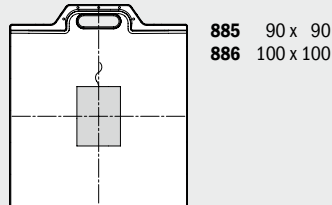


XETIS installation sets	Order No.	GBP
XETIS installation set 1 with designer cover for tiling includes waste fitting KA 200, XETIS sealing system XDS, installation cover, designer cover for tiling	687676310000	• 490.00
or		
XETIS installation set 2 with designer cover polished chrome plate includes waste fitting KA 200, XETIS sealing system XDS, installation cover, designer cover polished chrome plate	687676320000	• 490.00
or		
XETIS installation set 3 with designer cover, polished chrome, with collar includes waste fitting KA 200, XETIS sealing system XDS, installation cover, designer cover polished chrome plate with collar	687676390000	• 490.00

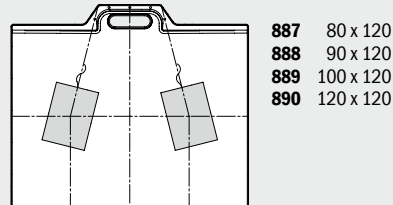
XETIS INSTALLATION SOLUTION MAS 5305 CENTRAL SUPPORT SYSTEM

Number and positioning:

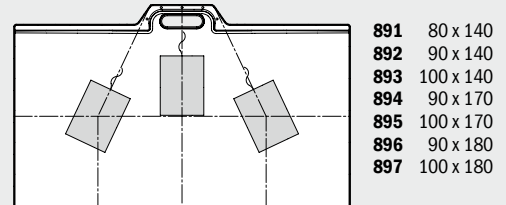
1 x MAS



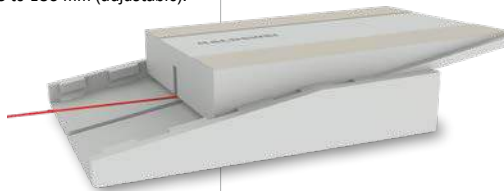
2 x MAS



3 x MAS



Central support system MAS 5305	Order No.	GBP
Recommended for shower trays with assembly or installation frame FR 5300 FLEX whose side length is 900 mm and longer. 240 x 300 mm (W x L), Height: 48 to 135 mm (adjustable). Set comprising: 2 x double-sided adhesive tape 1 x upper wedge 1 x lower wedge 1 x pull plate (ready-mounted) 1 x pull cord (ready-mounted) 1 x adapter panel 40 mm 1 x adapter panel 200 mm	688076530000	• 25.50



To meet the strict requirements of DIN 4109 - Sound insulation in buildings and VDI 4100/SST3, please use the XETIS sound insulation solution.

WASTE FITTING KA 200



drainage capacity: 1.0 l/s (measured by DIN EN 274)
Available in installation set 1, 2 or 3.

INSTALLATION

SYSTEMBOARD NEXSYS SBN

SYSTEMBOARD
NEXSYS SBN

- Convenient alignment thanks to level surface
- Fast levelling of height-adjustable feet from above
- Seamless surface ensures easy installation of the shower surface
- Robust material ideal for point loads and prevents silicone cracks and tears
- Height-adjustable feet with integrated sound insulation



Similar illustrations

Technical data NEXSYS shower surface with SBN system board NEXSYS

Model	2610	2611	2612	2613	2614	2615	2616	2617	2618	2619
External width	800	900	900	1000	1000	1000	1100	1200	1200	1200
External length	800	800	900	800	900	1000	900	800	900	1000
Height with support	44	46	46	48	48	48	50	52	52	52
Total height*, KA4121 min.	104	106	106	108	108	108	110	112	112	112
Total height*, KA4121 max.	174	176	176	178	178	178	180	182	182	182
Model	2620	2621	2622	2623	2624	2625	2626	2627	2628	2629
External width	1200	1300	1400	1400	1400	1600	1600	1600	1700	1700
External length	1200	900	800	900	1000	800	900	1000	750	900
Height with support	52	54	56	56	56	60	60	60	62	62
Total height*, KA4121 min.	112	114	116	116	116	120	120	120	122	122
Total height*, KA4121 max.	182	184	186	186	186	190	190	190	192	192

* the SBN system board NEXSYS can only be combined with KA4121

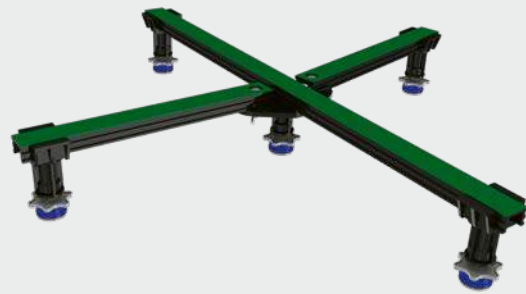
SBN System Board Nexsys	Order no.	GBP
SBN 2610 SYSTEM BOARD NEXSYS, 800 x 800 mm	584575510000	• 187.50
SBN 2611 SYSTEM BOARD NEXSYS, 900 x 800 mm	584575520000	• 187.50
SBN 2612 SYSTEM BOARD NEXSYS, 900 x 900 mm	584575570000	• 187.50
SBN 2613 SYSTEM BOARD NEXSYS, 1000 x 800 mm	584575530000	• 220.00
SBN 2617 SYSTEM BOARD NEXSYS, 1200 x 800 mm	584575540000	• 220.00
SBN 2614 SYSTEM BOARD NEXSYS, 1000 x 900 mm	584575580000	• 220.00
SBN 2616 SYSTEM BOARD NEXSYS, 1100 x 900 mm	584575590000	• 220.00
SBN 2618 SYSTEM BOARD NEXSYS, 1200 x 900 mm	584575600000	• 220.00
SBN 2615 SYSTEM BOARD NEXSYS, 1000 x 1000 mm	584575650000	• 220.00
SBN 2619 SYSTEM BOARD NEXSYS, 1200 x 1000 mm	584575660000	• 220.00
SBN 2620 SYSTEM BOARD NEXSYS, 1200 x 1200 mm	584575690000	• 220.00
SBN 2622 SYSTEM BOARD NEXSYS, 1400 x 800 mm	584575550000	• 286.00
SBN 2625 SYSTEM BOARD NEXSYS, 1600 x 800 mm	584575560000	• 286.00
SBN 2621 SYSTEM BOARD NEXSYS, 1300 x 900 mm	584575610000	• 286.00
SBN 2623 SYSTEM BOARD NEXSYS, 1400 x 900 mm	584575620000	• 286.00
SBN 2626 SYSTEM BOARD NEXSYS, 1600 x 900 mm	584575630000	• 286.00
SBN 2629 SYSTEM BOARD NEXSYS, 1700 x 900 mm	584575640000	• 286.00
SBN 2628 SYSTEM BOARD NEXSYS, 1700 x 750 mm	584575500000	• 286.00
SBN 2624 SYSTEM BOARD NEXSYS, 1400 x 1000 mm	584575670000	• 286.00
SBN 2627 SYSTEM BOARD NEXSYS, 1600 x 1000 mm	584575680000	• 286.00

INSTALLATION

SHOWER TRAY FEET

Universal shower tray feet 5200

- 5 height-adjustable screw-type feet (96 to 141 mm and 141 to 186 mm)
- size adjustment up to maximum 900 x 900 mm
- depending on the installation situation, 2 sides and the junction point can be shifted
- feet are sound-proofed. Optimum sound proofing in accordance with DIN 4109/A1 in conjunction with the KALDEWEI DWS sound insulating set
- observe the respective feet recommendation for each shower tray



Leg sets	Model Order No.	Amount	GBP
UNIVERSAL for shower trays	5200 58437700000	Pallet unit 80 pcs.	• 37.50

CENTRAL SUPPORT SYSTEMS

MAS 5305 Central Support System

(for SUPERPLAN, SUPERPLAN PLUS, DUSCHPLAN, CAYONPLAN, ARRONDO, CORNEZZA, ZIRKON (35 and 65 mm), XETIS

Order No.

GBP

Recommended for shower tray foot frame FR 5300 FLEX or ESR floor-level whose side length is 900 mm and longer

688076530000

• 25.50

240 x 300 mm (W x L)

Height: 48 to 135 mm (adjustable)

Set comprising:

2 x double-sided adhesive tape

1 x upper wedge

1 x lower wedge

1 x pull plate (ready-mounted)

1 x pull cord (ready-mounted)

1 x adapter panel 40 mm

1 x adapter panel 200 mm



MAS 5315 Central Support System for CONOFLAT

Order No.

GBP

Recommended for shower tray foot frame FR 5300 FLEX or ESR floor-level (FR5300/ESR floor-level) whose side length is 900 mm and longer
Height: 50 to 137 mm (adjustable)

688076990000

• 53.50

Set comprising:

2 x upper wedge for shower trays from 1500 x 800 mm incl. double-sided adhesive tape (ready-mounted)

2 x upper wedge for shower trays from 1400 x 1000 mm incl. double-sided adhesive tape (ready-mounted)

2 x lower wedge

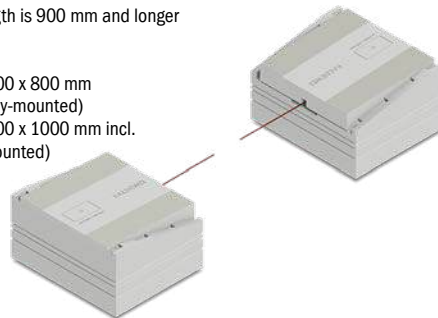
2 x pull plate (ready-mounted)

2 x 1600 mm pull cord (ready-mounted)

2 x adapter panel 10 mm

2 x adapter panel 20 mm

2 x adapter panel 40 mm



Please note: Shower trays from size 90 x 90 which are installed using a frame system require central support. We recommend using MAS.

INSTALLATION

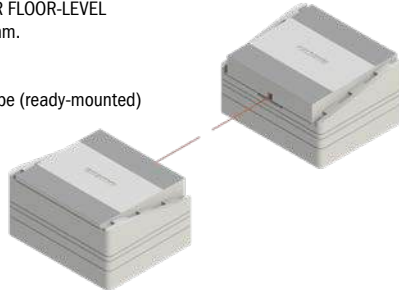
CENTRAL SUPPORT SYSTEMS

Central support system MAS 5335 for SCONA

For shower tray foot frame FR 5300 FLEX or ESR FLOOR-LEVEL (FR 5300/ESR FLOOR-LEVEL) larger than 900 mm.
Height: 50 to 137 mm (adjustable).

Set comprising:

- 2 x upper wedge with double-sided adhesive tape (ready-mounted)
- 2 x lower wedge
- 2 x pull plate (ready-mounted)
- 2 x 1600 mm pull cord (ready-mounted)
- 2 x adapter panels 10 mm
- 2 x adapter panels 20 mm
- 2 x adapter panels 40 mm



Order no.

688077460000

GBP

• 53.50

Please note: Shower trays from size 900 x 900 mm which are installed using a frame system require central support. We recommend using MAS

Extension kit MAS 5315 & 5335

Order no.

688077440000

GBP

• 53.50

Extension kit MAS 5305

Order no.

688077450000

GBP

• 25.50

WALLANCHOR

sound-proofed,
Set with 2 pcs.



Order No.

687675130000

1 Set

GBP

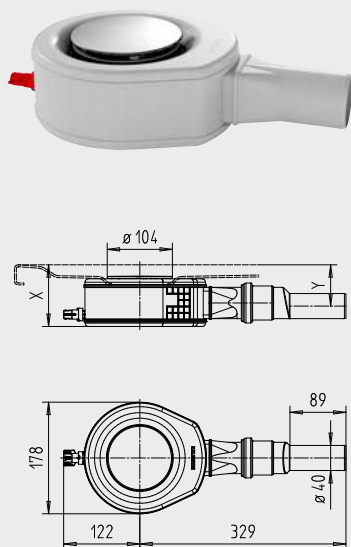
• 24.50/set

SUPPLY AND WASTE TECHNOLOGY

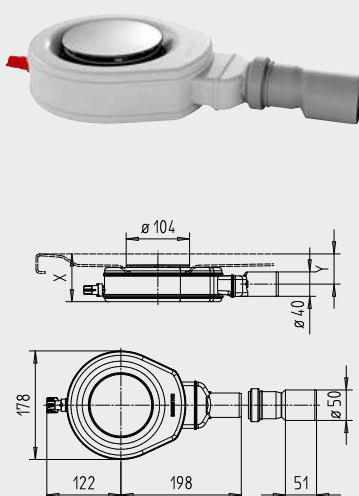
WASTE FITTINGS KA 90

- Very low installation height
- Waste cover flush with the shower surface and easy to remove
- Easy to clean
- Direct access to the waste pipe by means of a removable odour trap
- Drainage capacity in accordance with EN 274, recommended for shower heads with a water flow of up to 0,3 l/sek.
- Included in the scope of delivery: Chrome cover, hair catcher
- Enamelled waste cover optionally as a finishing set
- can now be used universally for installation systems ESR, FR and extra flat tub support

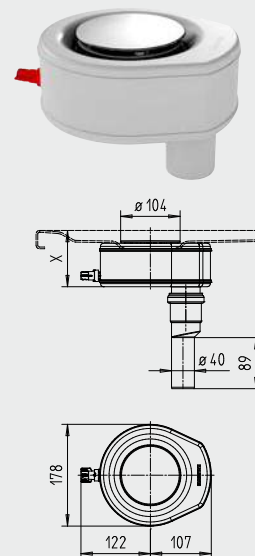
KALDEWEI KA 90 horizontal mod. 4109



KALDEWEI KA 90 flat mod. 4104



KALDEWEI KA 90 vertical mod. 4110



	KA 90 horizontal	KA 90 flat	KA 90 vertical
	4109	4104	4110
Connection height waste fitting (Y)	Surface depth + 43 mm	Surface depth + 31 mm	-
Height shower surface with siphon (X)	Surface depth + 80 mm	Surface depth + 60 mm	Surface depth + 80 mm
Fitting height	80 mm	60 mm	80 mm
Connection pipe diameter	50 mm	40 mm	50 mm
Length of connection pipe (can be cut to length)	55 mm	50 mm	60 mm
Distance between the siphon axis and the connection pipe	211 mm	198 mm	107 mm
Drainage capacity	0.71 l/sek	0.68 l/sek	1.22 l/sek
Outside diameter waste cover	104 mm	104 mm	104 mm

In the planning phase, please note the information in the installation instructions. You can find them at www.kaldewei.co.uk

Calculation examples KA90 model 4103 horizontal total installation height Scona model 911:
 Calculation example KA90 model 4103 horizontal with Scona shower surface model 911:

23 mm (c₁) + 80 mm = X (103 mm total installation height, see also installation height table)
 23 mm (c₁) + 43 mm = Y (66 mm centre outflow measured from the top surface level)

Waste fitting	Model Order no.	GBP
KA 90 with drain off connection chrome waste cover, corresponds to DIN EN 274 (water seal height 50 mm)	4109 68777260999	• 110.00
KA 90 ultra-flat with drain off connection chrome waste cover, does not comply with DIN EN 274 (water seal height 30 mm)	4104 687772540999	• 117.50
KA 90 vertical with drain off connection chrome waste cover, corresponds to DIN EN 274 (water seal height 50 mm)	4110 687772610999	• 149.50

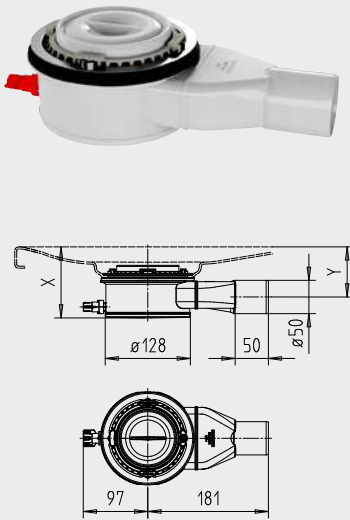
Please note: A central support is required for dimensions of 900 x 900 mm or more. We recommend the use of the KALDEWEI central support system MAS.

SUPPLY AND WASTE TECHNOLOGY

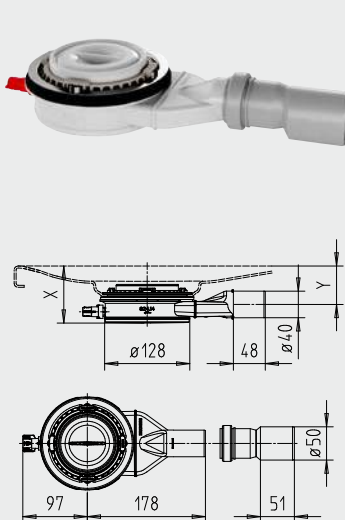
WASTE FITTINGS KA 120

- Very low installation height
- Waste cover flush with the shower surface and easy to remove
- Easy to clean
- Direct access to the waste pipe by means of a removable odour trap
- Drainage capacity compliant with EN 274, also suitable for shower heads with a high water flow rate of over 0,3 l/Sek.
- Included in the scope of delivery: Hair catcher
- Required accessories: Finishing set enamelled drain cover

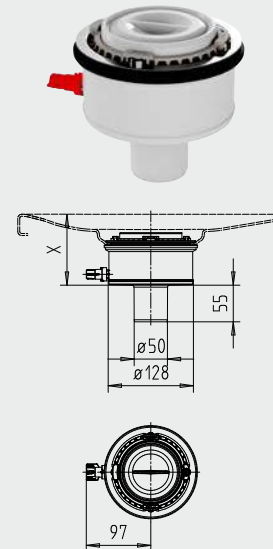
KALDEWEI KA 120 horizontal mod. 4106



KALDEWEI KA 120 flat mod. 4107



KALDEWEI KA 120 vertical od. 4108



	KA 120 horizontal	KA 120 flat	KA 120 vertical
	4106	4107	4108
Connection height siphon (Y)	Surface depth + 53mm	Surface depth + 35 mm	-
Height of shower surface with waste fitting (X)	Surface depth + 84mm	Surface depth + 64 mm	Surface depth + 84 mm
Fitting height	83 mm	63 mm	83 mm
Connection pipe diameter	50 mm	40 mm	50 mm
Length of connection pipe (can be cut to length)	50 mm	48 mm	55 mm
Distance between the siphon axis and the connection pipe	181 mm	178 mm	-
Drainage capacity	0.85 l/sek	0.50 l/sek	1.40 l/sek
Outside diameter on the waste container	128 mm	128 mm	128 mm

The use of a non-return valve is recommended. Depending on the height and siphon, a floor recess must be taken into account.

Calculation examples KA120 model 4106 horizontal total construction height Superplan Plus model 475: 25 mm (C₁) + 83 mm = X (108 mm total installation height, see also installation height table)
 Sample calculation KA120 model 4106 horizontal with Superplan Plus shower surface model 475: 25 mm (C₁) + 53 mm = Y (78 mm centre outflow measured from the top surface level)

Waste fitting	Model Order no.		GBP
Waste fitting KA 120 horizontal, corresponds to DIN EN 274 (water seal height 50 mm)	4106 687772530000		• 107.50
Waste fitting KA 120 flat, corresponds to DIN EN 274 (water seal height 30 mm)	4107 687772510000		• 127.00
Waste fitting KA 120 vertical, corresponds to DIN EN 274 (water seal height 50 mm)	4108 687772520000		• 146.50

Please note: A central support is required for dimensions of 900 x 900 mm or more. We recommend the use of the KALDEWEI central support system MAS.

SUPPLY AND WASTE TECHNOLOGY

WASTE COVER

Waste cover KA 90	Model order no.	Colour price groups			GBP
		Alpine white (I)	Sanitary colours (II, III)	Coord. Colours (IV)	
enamelled	68777259xxx	• 39.50	• 78.50	• 39.50	
enamelled with ANTI-SLIP SECURE PLUS	687772592xxx	• 39.50		• 39.50	
Waste cover KA 120 for CONOFLAT					
enamelled	68777257xxx	• 39.50	• 78.50	• 39.50	
enamelled with ANTI-SLIP SECURE PLUS	687772572xxx	• 39.50		• 39.50	
Waste cover KA 120 for SUPERPLAN PLUS					
enamelled	68777258xxx	• 39.50	• 78.50	• 39.50	
enamelled with ANTI-SLIP SECURE PLUS	687772582xxx	• 39.50		• 39.50	



Waste cover KA 90



Waste cover KA 120 for CONOFLAT



Waste cover KA 120 for SUPERPLAN PLUS

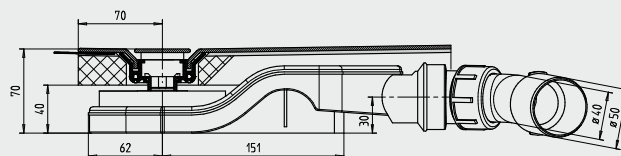
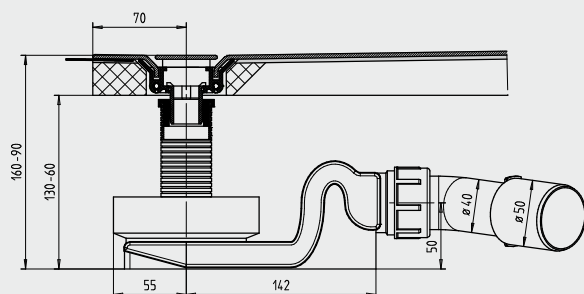
KA 4121 / KA 4122 FOR NEXSYS



Model KA 4121



Model KA 4122



Waste fittings	Immersion pipe length	Drainage capacity Water seal height 10 mm	Drainage capacity Water seal height 20 mm	Model Order no.	GBP
Waste fitting KA 4121, corresponds to DIN EN 1253	130 mm 60 mm	0.68 l/s 0.45 l/s	0.72 l/s 0.48 l/s	KA 4121 687771210000	• 92.50
Waste fitting KA 4122, corresponds to DIN EN 1253	40 mm	0.48 l/s	0.55 l/s	KA 4122 687771220000	• 92.50

Subject to technical alterations, tolerances and errors. • = separate accessory.

SILENCE PLUS

SOUND-ABSORBING PADS

	Order No.		GBP
Shower tray sound-absorbing set DW-ADS Set consists of: 4 x sound-absorbing pads 250 x 250 mm	687675720000		• 34.00

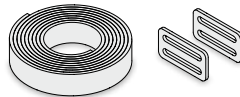
SHOWER TRAY SOUND-ABSORBING SET

	Order No.		GBP
Shower tray sound-absorbing set DWS Sound absorbing set for shower trays, consisting of: 2 x bath securing device, sound absorbed 1 x connection sound insulating strip WAS 70 1 x bath installation sound-absorbing strip WES 130 4 x Anti-drone-panel 1 x Installation leaflet Fulfills DIN 4109/A1 in combination with sound-absorbing KALDEWEI-feet.	687675600000		• 94.50
Connection sound insulation strip WAS 70		Dimensions m	GBP
1 connection sound insulating strip WAS 70 1 set of assembly instructions	687676030000	3.30 m	• 30.00
	687676040000	10.00 m	• 77.50



CERTIFIED SOUND INSULATION SOLUTION XETIS

	Order No.		GBP
Sound insulation solution certified to DIN 4109 – Sound insulation in buildings and VDI 4100			
Extra charge for XETIS shower surface with special sound insulation To meet the strict requirements of DIN 4109 – Sound insulation in buildings and VDI 4100/SST 3, please order the shower surface with SAD along with the XETIS Plus complementary set and the FR 5300 XETIS.			• 83.00
XETIS Plus complementary set			GBP
6.25m connecting sound insulating tape WAS 2 x sound insulation pads for fixing brackets 1 x installation leaflet	687676360000		• 39.50



WATERPROOF

SEALING KIT FLOOR-LEVEL

- Simple and safe – the one-stop sealing solution
- Easy to apply, with corner pieces that conform precisely to the geometry of the KALDEWEI shower surfaces
- The complete system solution for all-round reliable sealing of floor-level shower surfaces in almost any standard installation situations
- Systematic sealing with carefully selected components based on chemical formulations used in the construction industry

Sealing kit floor-level	Order no.	Dimensions m	GBP
1 x sealing tape WDB 6.2 m 2 x wall corner piecen 4 x multifunctional corner pieces 1 x installation instructions	689720490000	6.2 m	• 143.50
1 x sealing tape WDB 5.0 m 1 x wall corner piece 4 x multifunctional corner pieces 1 x installation instructions	689720500000	5.0 m	• 143.50
1 x sealing tape WDB 6.2 m 1 x wall corner piece 2 x multifunctional corner pieces 1 x installation instructions	689720510000	6.2 m	• 143.50

SEALING KIT FLEX

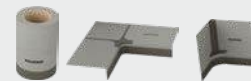
- Simple and safe – the one-stop sealing solution
- The sealing kit FLEX is the universal solution for bathtubs and showers that are not being installed at floor level.
- Easy to apply, with corner pieces that conform precisely to the geometry of the KALDEWEI shower surfaces
- The pre-assembled sealing elements allow for wall-side sealing in corners and niches
- Systematic sealing with carefully selected components based on chemical formulations used in the construction industry



Sealing kit FLEX	Order no.	Dimensions m	GBP
1 x sealing tape WDB 5.0 m, 2 x wall corner piecen, 1 x installation instructions	689720520000	5.0 m	• 48.50

SEALING MATERIAL

- Simple and safe – the one-stop sealing solution
- Universal solution for bathtubs and showers
- Easy to apply, with corner pieces that conform precisely to the geometry of the KALDEWEI products
- Can be combined flexibly to any given installation situation
- Systematic sealing with carefully selected components based on chemical formulations used in the construction industry

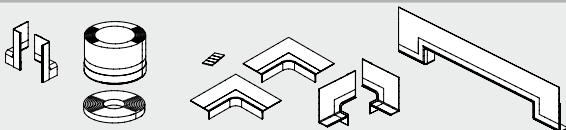


Waterproof	Order no.	GBP
KALDEWEI sealing tape WDB 25 m	584471750000	• 116.50
KALDEWEI multifunctional corner pieces 10 x	584471770000	• 218.00
KALDEWEI wall corner pieces 10 x	584471760000	• 132.50

CUT PROTECTION TAPE

	Order no.	GBP
Cut protection tape 4.6 m for shower surfaces ≤ 1000 x 1200 mm	689720570000	• 63.50
Cut protection tape 6.6 m for shower surfaces > 1000 x 1200 mm	689720580000	• 91.50

XETIS SEALING SYSTEM XDS



Included in installation sets 1, 2 or 3.
(not sold separately)

SURFACES

PARTIAL ANTI-SLIP AND FULL ANTI-SLIP

for KALDEWEI shower trays and enamelled shower surfaces

- Discontinuous, dot textured finish
- Full anti-slip shower trays are available for CAYONOPLAN, CONOFLAT, DUSCHPLAN, SCONA, SUPERPLAN, SUPERPLAN PLUS and XETIS
- Anti-slip and Full anti-slip are not available in colour price group IV.
- For exact anti-slip/full anti-slip positioning on each model please visit www.kaldewei.com



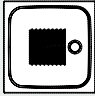
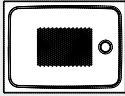
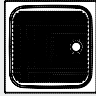

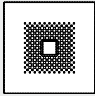
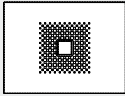
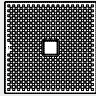
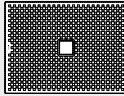


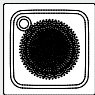
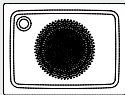
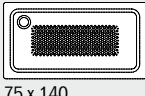
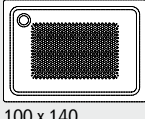
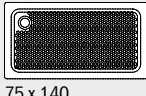
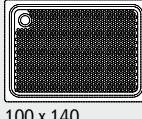
The TÜV Rheinland confirms that KALDEWEI anti-slip and full anti-slip finish are slip resistant according to assessment group **B** for wet barefoot areas (**DIN 51097**) and assessment group **R10 (DIN 51130)** for slip-resistant properties in work rooms and areas with an increased risk of slipping.

- The SCONA, model 968 with full anti-slip finish complies with DIN barrier-free 18040-2.
- The CONOFLAT, model 790 with full anti-slip finish complies with DIN barrier-free 18025-1 and DIN 18040-2.
- The SUPERPLAN, model 399 with full anti-slip finish complies with DIN barrier-free 18040-2.
- The SUPERPLAN PLUS, model 486 with full anti-slip finish complies with DIN barrier-free 18040-2.
- The SUPERPLAN PLUS, model 494 with full anti-slip finish complies with DIN barrier-free 18040-1 and DIN 18040-2.
- The XETIS, model 890 with full anti-slip finish complies with DIN barrier-free 18040-2.



Surcharge anti-slip/full anti-slip	Colour price groups		GBP
	Alpine White (I)	Sanitary Colours (II,III)	
Anti-slip for shower trays and enamelled shower surfaces	117.50		117.50
Full anti-slip for shower trays and enamelled shower surfaces	236.00		236.00

EXEMPLARY REPRESENTATION OF PARTIAL ANTI-SLIP/FULL ANTI-SLIP DESIGNS ON ENAMELLED SHOWER SURFACES

	PARTIAL ANTI-SLIP		FULL ANTI-SLIP	
ARRONDO	 90 x 90	 100 x 100		
CAYONOPLAN	 90 x 90	 90 x 120	 90 x 90	 90 x 120
CONOFLAT	 90 x 90	 90 x 120	 90 x 90	 90 x 120
CORNEZZA	 90 x 90	 100 x 100		
DUSCHPLAN	 90 x 90	 90 x 120		
DUSCHPLAN	 75 x 140	 100 x 140	 75 x 140	 100 x 140

The sizes of the anti-slip and full anti-slip can be found in the technical information on the respective product pages.

SURFACES

EXEMPLARY REPRESENTATION OF PARTIAL ANTI-SLIP/FULL ANTI-SLIP DESIGNS ON ENAMELLED SHOWER SURFACES

PARTIAL ANTI-SLIP

VOLLANTISLIP

SCONA



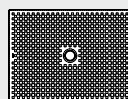
90 x 90



90 x 120



90 x 90

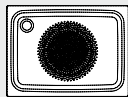


90 x 120

SUPERPLAN



90 x 90



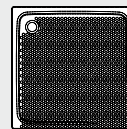
90 x 120



90 x 90

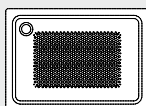


90 x 120

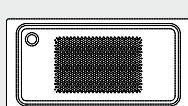


120 x 120

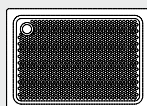
SUPERPLAN



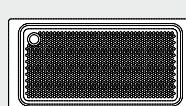
100 x 140



90 x 180



100 x 140

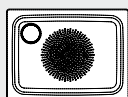


90 x 180

SUPERPLAN PLUS



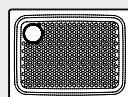
90 x 90



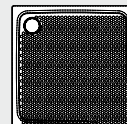
90 x 120



90 x 90



90 x 120

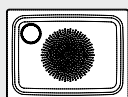


120 x 120 / 150 x 150

SUPERPLAN ZERO



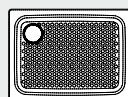
90 x 90



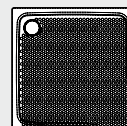
90 x 120



90 x 90

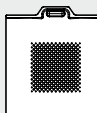


90 x 120



120 x 120 / 150 x 150

XETIS



100 x 100

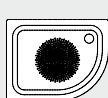


100 x 140

ZIRKON



90 x 90



80 x 100

The sizes of the anti-slip and full anti-slip can be found in the technical information on the respective product pages.

SURFACES

ANTI-SLIP SECURE PLUS**for enamelled shower surfaces**

- Slip resistant enamelling on the full shower surface
- Available only in combination with Coordinated Colours Collection
- Available on all models from following product families:
CAYONOPLAN, CONOFLAT, SUPERPLAN, SUPERPLAN PLUS, SUPERPLAN ZERO, SCONA, XETIS, NEXSYS

The TÜV Rheinland confirms that ANTI-SLIP SECURE PLUS finish are slip resistant according to assessment group **B** for wet barefoot areas (**DIN 51097**) and assessment group **R10 (DIN 51130)** for slip-resistant properties in work rooms and areas with an increased risk of slipping.

- The SCONA, model 968 with ANTI-SLIP SECURE PLUS finish complies with DIN barrier-free 18040-2.
- The CONOFLAT, model 790 with ANTI-SLIP SECURE PLUS finish complies with DIN barrier-free 18025-1 and DIN 18040-2.
- The SUPERPLAN, model 399 with ANTI-SLIP SECURE PLUS finish complies with DIN barrier-free 18040-2.
- The SUPERPLAN PLUS, model 486 with ANTI-SLIP SECURE PLUS finish complies with DIN barrier-free 18040-2.
- The SUPERPLAN PLUS, model 494 with ANTI-SLIP SECURE PLUS finish complies with DIN barrier-free 18040-1 and DIN 18040-2.
- The XETIS, model 890 with ANTI-SLIP SECURE PLUS finish complies with DIN barrier-free 18040-2.
- The NEXIS, model 2620 with ANTI-SLIP SECURE PLUS finish complies with DIN barrier-free 18040-2.



Surcharge ANTI-SLIP SECURE PLUS	Order No.	Colour price groups	GBP Coord. Colours (IV)
ANTI-SLIP SECURE PLUS for AVANTGARDE Series: CONOFLAT, SUPERPLAN PLUS, XETIS	xxxxxxx2xxx		without extra charge
ANTI-SLIP SECURE PLUS for AMBIENTE Series: CAYONOPLAN, SCONA, SUPERPLAN, SUPERPLAN with low profile support	xxxxxxx2xxx		165.00
ANTI-SLIP SECURE PLUS for ADVANTAGE Series: CAYONOPLAN	xxxxxxx2xxx		165.00
ANTI-SLIP SECURE PLUS for SYSTEM Series: NEXSYS	xxxxxxx2xxx		without extra charge

ANTI-SLIP SECURE PLUS cannot be combined with easy-clean finish.

When ordering waste fittings which have enamelled outlet covers (KA90, KA 120, KA 125) please remember to order the corresponding waste /enamelled cover with ANTI-SLIP SECURE PLUS also!

EASY-CLEAN FINISH

All baths and shower trays are available with the easy-clean finish. The easy-clean finish is a surface finish that is permanently burnt onto the KALDEWEI steel enamel. Water droplets form beads and simply roll down the sides, taking virtually all dirt particles and limescale with them. Even dried-on water marks and limescale deposits can be quickly wiped away.




Surcharge easy-clean finish	Model Order No.	GBP
for shower trays	xxxxxxx3xxx	82.00

CLEANING AND CARE

ENAMEL SET

		Order No.	GBP
Spatula	alpine white	687673560001	• 52.50
Filler 30 g			
Hardener 8 g			
Enamel-Spray 36 ml			
<p>Not suitable for products with surface finish (easy-clean finish, anti-slip, full anti-slip and ANTI-SLIP SECURE PLUS)</p> 			


ENAMEL PEN

		Order No.	GBP
12 ml	alpine white	687673580001	• 28.00
	alpine white matt	687673580711	• 28.00
			

ENAMEL CLEANING

		Order No.	GBP
100 ml		687673600000	• 22.50
			

CLEANING PEN

		Order No.	GBP
		687673540000	• 25.50
			

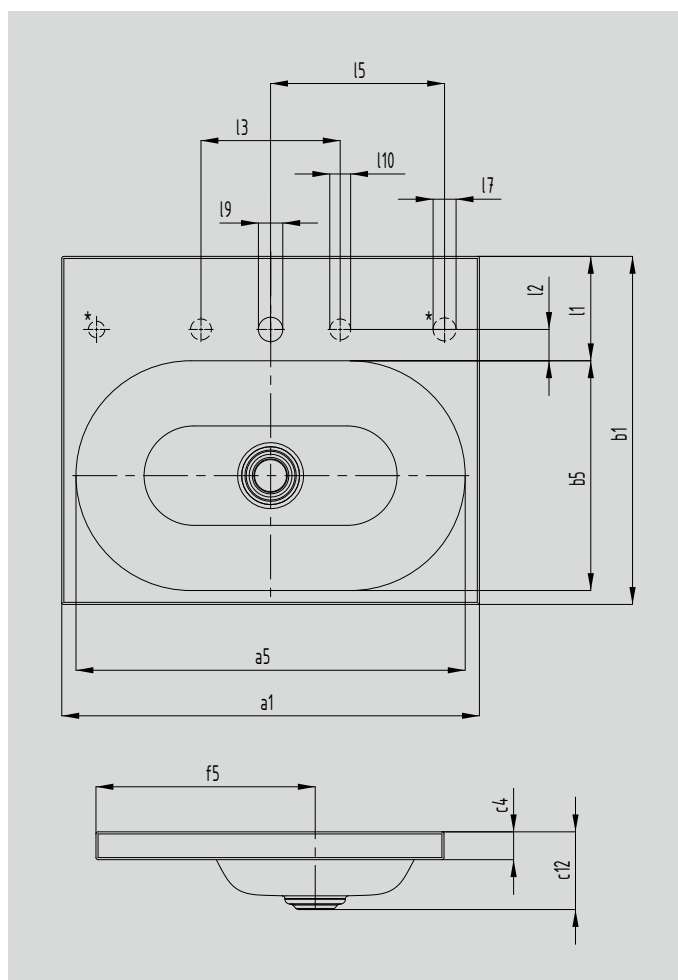


CENTRO INSET COUNTERTOP WASHBASIN

- fusion of minimalism and simple elegance
- luxurious look – integrates perfectly both in modern and traditional bathroom settings
- circle taken as the basic shape echoes in the perfectly integrated enamelled waste
- matching counterpart to the CENTRO DUO bath
- washbasin surround with ample space for individual accessories
- designed by Anke Salomon



Similar illustration



* Rotary knob hole for waste and overflow valve CLOU with cable pull and rotary knob optionally on the right or left

Model		3055	3056
External length	a_1	600	900 mm
Internal length	a_5	559	859 mm
External width	b_1	500	500 mm
Internal width	b_5	330	330 mm
Height of rim	c_4	40	40 mm
Distance basin surface to bottom edge of waste hole	c_{12}	112	112 mm
Distance rear edge to centre of waste hole	f_5	315	315 mm
Depth of tap deck	l_1	150	150 mm
Distance tap holes to edge	l_2	45	45 mm
Distance external tap holes (for 3 tap holes)	l_3	200	200 mm
Distance tap hole to centre of control knob hole	l_5	250	275 mm
Diameter of control knob hole	l_7	Ø 33	Ø 33 mm
Diameter of centre tap hole	l_9	Ø 35	Ø 35 mm
Diameter of outside tap hole (for 3 tap holes only)	l_{10}	Ø 30	Ø 30 mm
Net weight		8	11 kg

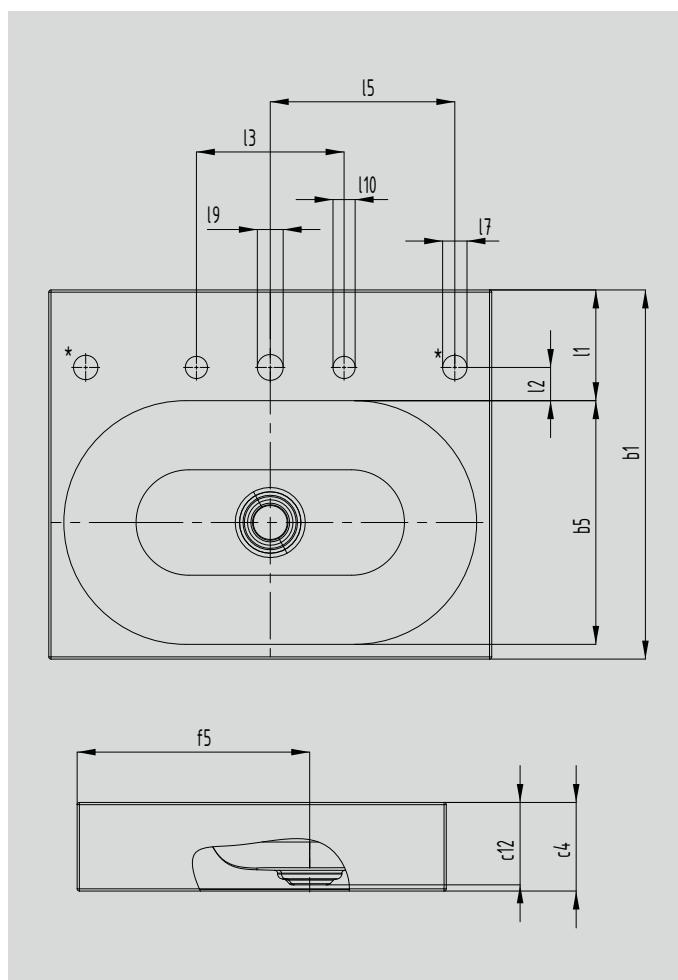
	Model Order No.	Dimensions mm	Colour price groups		
			Alpine White (I)	Sanitary Colours (II, III)	Coord. Colours (IV)
CENTRO INSET COUNTERTOP WASHBASIN (HEIGHT OF RIM 40 MM) with 1 x 1 tap hole with easy-clean finish and sound insulation enamelled on both sides without overflow	3055 902806013xxx	600 x 500 x 40	712.00	924.00	924.00
	3056 902906013xxx	900 x 500 x 40	984.00	1,278.00	1,278.00
without tap hole	xxxx0600xxxx		without extra charge	without extra charge	without extra charge
1 x 3 tap holes	xxxx0603xxxx		without extra charge	without extra charge	without extra charge
inclusive of control knob hole for clou waste and overflow system	AVAILABLE ON		without extra	without extra	without extra
REQUIRED: ACCESSORY ●¹			(I)	(II), (III)	(IV)
CLOU WASTE AND OVERFLOW SYSTEM FOR LEVER OPERATION POP-UP WASTE round, enamelled cover for fittings with cable operation	3900 90530000xxxx		108.50	118.50	118.50
CLOU WASTE AND OVERFLOW SYSTEM WITH CABLE OPERATED POP-UP WASTE AND DECK MOUNTED CONTROL KNOB round, enamelled cover, chrome control knob includes extra charge for control knob hole; to be ordered with washbasin with control knob hole. This does not apply to undercounter washbasins.	3902 90550000xxxx		255.00	280.00	280.00
CLOU WASTE AND OVERFLOW SYSTEM WITH CABLE OPERATED POP-UP WASTE AND DECK MOUNTED CONTROL KNOB with round, enamelled cover, white control knob includes extra charge for control knob hole; to be ordered with washbasin with control knob hole. This does not apply to undercounter washbasins.	3910 910200010001		295.00		
FREE-FLOW WASTE round, enamelled cover	3904 90580000xxxx		75.00	82.00	82.00
OPTIONAL: ACCESSORY ●¹			(I)	(II), (III)	(IV)
DESIGNER BOTTLE TRAP	3908 905700000999	167.00			
BUILT-IN SOAP DISPENSER more information can be found on the accessory pages	3916 910600010999	129.00			

CENTRO INSET COUNTERTOP WASHBASIN

- fusion of minimalism and simple elegance
- luxurious look – integrates perfectly both in modern and traditional bathroom settings
- circle taken as the basic shape echoes in the perfectly integrated enamelled waste
- matching counterpart to the CENTRO DUO bath
- washbasin surround with ample space for individual accessories
- designed by Anke Salomon



Similar illustration



* Rotary knob hole for waste and overflow valve CLOU with cable pull and rotary knob optionally on the right or left

Model		3057	3058
External length	a_1	600	900 mm
Internal length	a_5	559	859 mm
External width	b_1	500	500 mm
Internal width	b_5	330	330 mm
Height of rim	c_4	120	120 mm
Distance basin surface to bottom edge of waste hole	c_{12}	112	112 mm
Distance rear edge to centre of waste hole	f_5	315	315 mm
Depth of tap deck	l_1	150	150 mm
Distance tap holes to edge	l_2	45	45 mm
Distance external tap holes (for 3 tap holes)	l_3	200	200 mm
Distance tap hole to centre of control knob hole	l_5	250	275 mm
Diameter of control knob hole	l_7	Ø 33	Ø 33 mm
Diameter of centre tap hole	l_9	Ø 35	Ø 35 mm
Diameter of outside tap hole (for 3 tap holes only)	l_{10}	Ø 30	Ø 30 mm
Net weight		13	18 kg

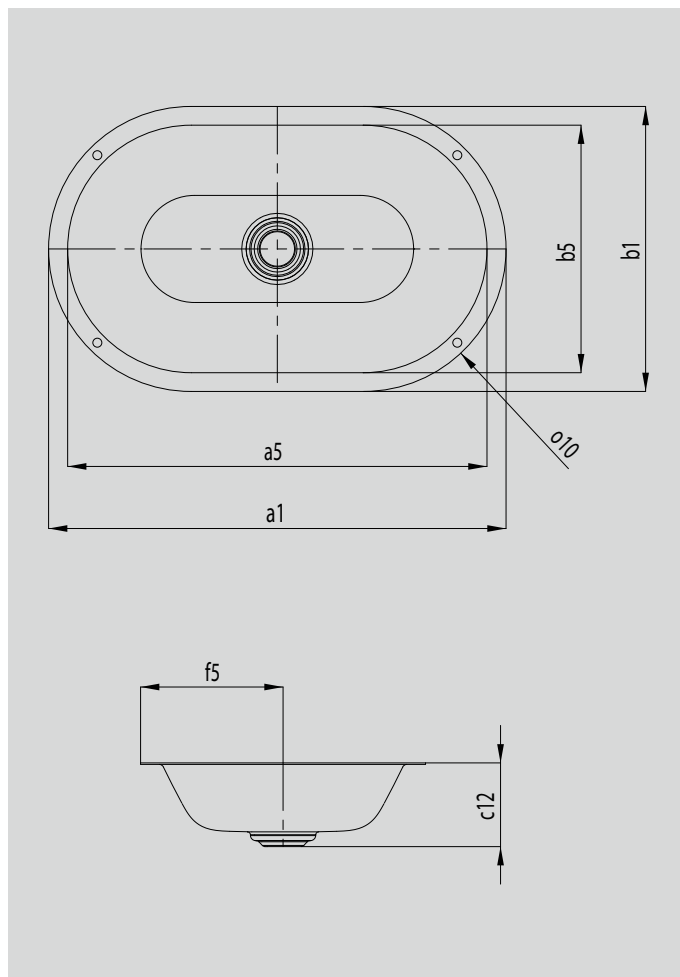
	Model Order No.	Dimensions mm	Colour price groups		
			Alpine White (I)	Sanitary Colours (II, III)	Coord. Colours (IV)
CENTRO COUNTERTOP 120 MM with 1 x 1 tap hole with easy-clean finish and sound insulation enamelled on both sides without overflow	3057 9030 0601 3xxx	600 x 500 x 120	712.00	924.00	924.00
	3058 9031 0601 3xxx	900 x 500 x 120	984.00	1,278.00	1,278.00
without tap hole	xxxx 0600 xxxx		without extra charge	without extra charge	without extra charge
1 x 3 tap holes	xxxx 0603 xxxx		without extra charge	without extra charge	without extra charge
inclusive of control knob hole for clou waste and overflow system with cable operated pop-up waste and deck mounted control knob	AVAILABLE ON REQUEST		without extra charge	without extra charge	without extra charge
REQUIRED: ACCESSORY ●¹			(I)	(II), (III)	(IV)
CLOU WASTE AND OVERFLOW SYSTEM FOR LEVER OPERATION POP-UP WASTE round, enamelled cover for fittings with cable operation	3900 9053 0000 xxxx		108.50	118.50	118.50
CLOU WASTE AND OVERFLOW SYSTEM WITH CABLE OPERATED POP-UP WASTE AND DECK MOUNTED CONTROL KNOB round, enamelled cover, chrome control knob includes extra charge for control knob hole; to be ordered with washbasin with control knob hole. This does not apply to undercounter washbasins.	3902 9055 0000 xxxx		255.00	280.00	280.00
CLOU WASTE AND OVERFLOW SYSTEM WITH CABLE OPERATED POP-UP WASTE AND DECK MOUNTED CONTROL KNOB with round, enamelled cover, white control knob includes extra charge for control knob hole; to be ordered with washbasin with control knob hole. This does not apply to undercounter washbasins.	3910 9102 0001 0001		295.00		
FREE-FLOW WASTE round, enamelled cover	3904 9058 0000 xxxx		75.00	82.00	82.00
OPTIONAL: ACCESSORY ●¹			(I)	(II), (III)	(IV)
DESIGNER BOTTLE TRAP	3908 9057 0000 0999	167.00			
BUILT-IN SOAP DISPENSER more information can be found on the accessory pages	3916 9106 0001 0999	129.00			

CENTRO UNDERCOUNTER WASHBASIN

- fusion of minimalism and simple elegance
- luxurious look – integrates perfectly both in modern and traditional bathroom settings
- circle taken as the basic shape echoes in the perfectly integrated enamelled waste
- matching counterpart to the CENTRO DUO bath
- designed by Anke Salomon



Similar illustration



Model		3059	3060
External length	a_1	610	910 mm
Internal length	a_5	559	859 mm
External width	b_1	380	380 mm
Internal width	b_5	330	330 mm
Distance basin surface to bottom edge of waste hole	c_{12}	112	112 mm
Distance rear edge to centre of waste hole	f_5	190	190 mm
Radius of washbasin corner	o_{10}	190	190 mm
Net weight		7	9 kg

	Model Order No.	Dimensions mm	Colour price groups		
			Alpine White (I)	Sanitary Colours (II, III)	Coord. Colours (IV)
CENTRO UNDERCOUNTER WASHBASIN with easy-clean finish and sound insulation enamelled on both sides without overflow	3059 903206003xxx	610 x 380	641.00	833.00	833.00
	3060 903306003xxx	910 x 380	885.00	1,152.00	1,152.00
REQUIRED: ACCESSORY ●¹			(I)	(II), (III)	(IV)
CLOU WASTE AND OVERFLOW SYSTEM FOR LEVER OPERATION POP-UP WASTE round, enamelled cover for fittings with cable operation	3900 90530000xxxx		108.50	118.50	118.50
CLOU WASTE AND OVERFLOW SYSTEM WITH CABLE OPERATED POP-UP WASTE AND DECK MOUNTED CONTROL KNOB round, enamelled cover, chrome control knob includes extra charge for control knob hole; to be ordered with washbasin with control knob hole. This does not apply to undercounter washbasins.	3902 90550000xxxx		255.00	280.00	280.00
CLOU WASTE AND OVERFLOW SYSTEM WITH CABLE OPERATED POP-UP WASTE AND DECK MOUNTED CONTROL KNOB with round, enamelled cover, white control knob includes extra charge for control knob hole; to be ordered with washbasin with control knob hole. This does not apply to undercounter washbasins.	3910 910200010001		295.00		
FREE-FLOW WASTE round, enamelled cover	3904 90580000xxxx		75.00	82.00	82.00
OPTIONAL: ACCESSORY ●¹			(I)	(II), (III)	(IV)
DESIGNER BOTTLE TRAP	3908 905700000999	167.00			

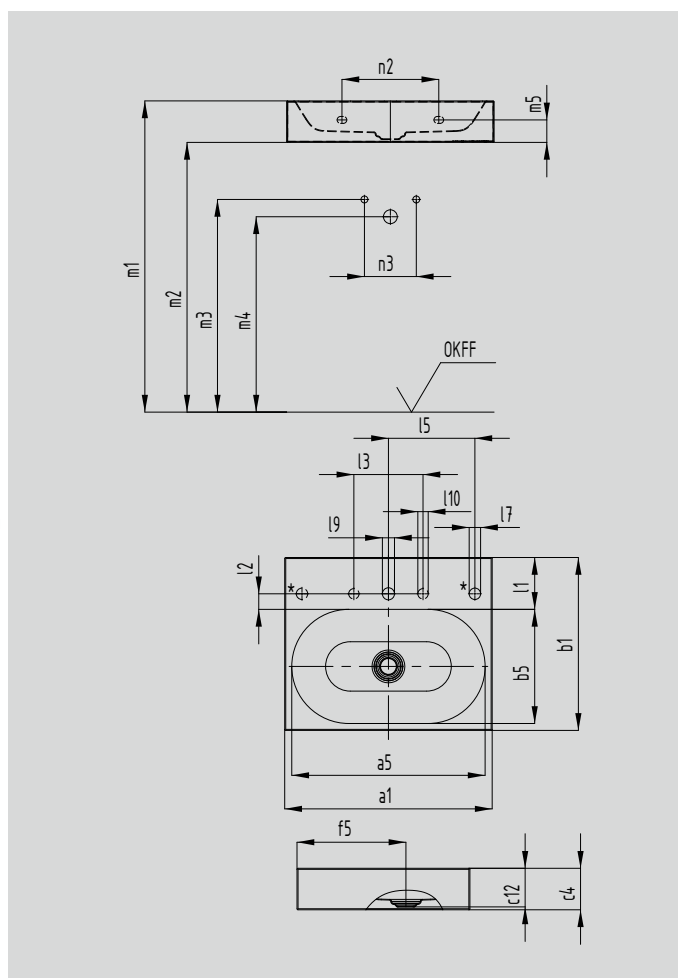


CENTRO WALL-HUNG WASHBASIN

- fusion of minimalism and simple elegance
- luxurious look – integrates perfectly both in modern and traditional bathroom settings
- circle taken as the basic shape echoes in the perfectly integrated enamelled waste
- matching counterpart to the CENTRO DUO bath
- washbasin surround with ample space for individual accessories
- designed by Anke Salomon



Similar illustration



* Rotary knob hole for waste and overflow valve CLOU with cable pull and rotary knob optionally on the right or left

Model		3061	3062
External length	a_1	600	900 mm
Internal length	a_5	559	859 mm
External width	b_1	500	500 mm
Internal width	b_5	330	330 mm
Height of rim	c_4	120	120 mm
Distance basin surface to bottom edge of waste hole	c_{12}	112	112 mm
Distance rear edge to centre of waste hole	f_5	315	315 mm
Depth of tap deck	l_1	150	150 mm
Distance tap holes to edge	l_2	45	45 mm
Distance external tap holes (for 3 tap holes)	l_3	200	200 mm
Distance tap hole to centre of control knob hole	l_5	250	275 mm
Diameter of control knob hole	l_7	Ø 33	Ø 33 mm
Diameter of centre tap hole	l_9	Ø 35	Ø 35 mm
Diameter of outside tap hole (for 3 tap holes only)	l_{10}	Ø 30	Ø 30 mm
Distance FF to top edge basin surface	m_1	820 - 850	820 - 850 mm
Distance FF to bottom edge	m_2	700 - 730	700 - 730 mm
Distance FF to centre of water inlet	m_3	570 - 600	570 - 600 mm
Distance FF to centre of waste hole wall connection	m_4	520 - 580	520 - 580 mm
Distance bottom edge to centre of fixing hole	m_5	65	65 mm
External distance of fixing holes	n_1		780 mm
Internal distance of fixing holes	n_2	280	280 mm
Distance hot/cold water inlet	n_3	80 - 150	80 - 150 mm
Net weight		13	18 kg

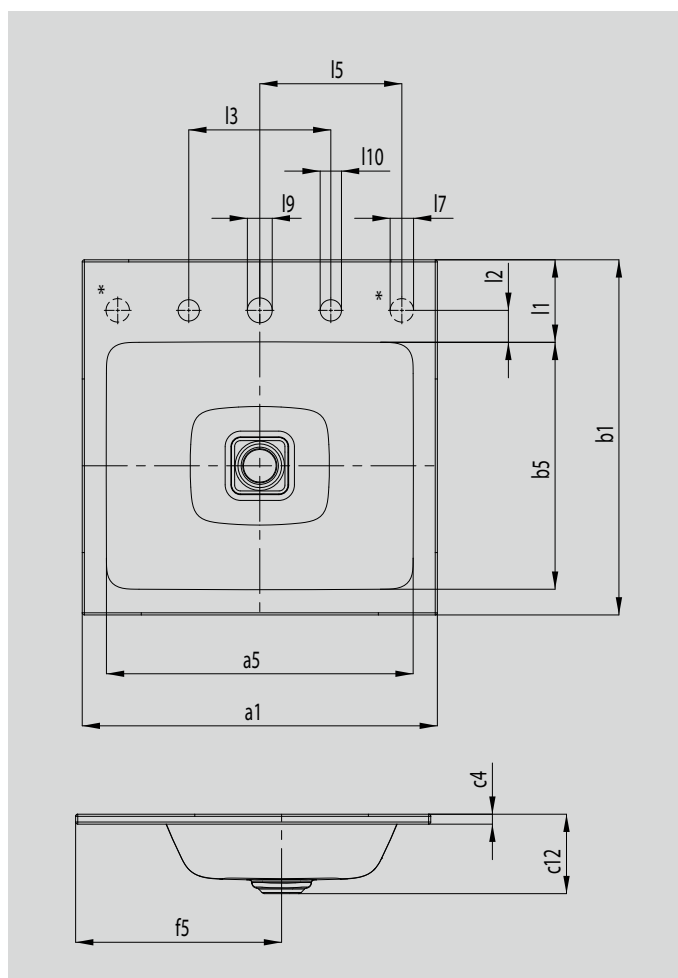
	Model Order No.	Dimensions mm	Colour price groups		
			Alpine White (I)	Sanitary Colours (II, III)	Coord. Colours (IV)
CENTRO WALL-HANG WASHBASIN with 1 x 1 tap hole with easy-clean finish, sound insulation and sound insulation tape enamelled on both sides without overflow	3061 9034 0601 3xxx	600 x 500 x 120	712.00	924.00	924.00
	3062 9035 0601 3xxx	900 x 500 x 120	984.00	1,278.00	1,278.00
without tap hole	xxxx 0600 xxxx		without extra charge	without extra charge	without extra charge
1 x 3 tap holes	xxxx 0603 xxxx		without extra charge	without extra charge	without extra charge
inclusive of control knob hole for clou waste and overflow system with cable operated pop-up waste and deck mounted control knob	AVAILABLE ON REQUEST		without extra charge	without extra charge	without extra charge
REQUIRED: ACCESSORY ●¹			(I)	(II), (III)	(IV)
CLOU WASTE AND OVERFLOW SYSTEM FOR LEVER OPERATION POP-UP WASTE round, enamelled cover for fittings with cable operation	3900 9053 0000 xxxx		108.50	118.50	118.50
CLOU WASTE AND OVERFLOW SYSTEM WITH CABLE OPERATED POP-UP WASTE AND DECK MOUNTED CONTROL KNOB round, enamelled cover, chrome control knob includes extra charge for control knob hole; to be ordered with washbasin with control knob hole. This does not apply to undercounter washbasins.	3902 9055 0000 xxxx		255.00	280.00	280.00
CLOU WASTE AND OVERFLOW SYSTEM WITH CABLE OPERATED POP-UP WASTE AND DECK MOUNTED CONTROL KNOB with round, enamelled cover, white control knob includes extra charge for control knob hole; to be ordered with washbasin with control knob hole. This does not apply to undercounter washbasins.	3910 9102 0001 0001		295.00		
FREE-FLOW WASTE round, enamelled cover	3904 9058 0000 xxxx		75.00	82.00	82.00
OPTIONAL: ACCESSORY ●¹			(I)	(II), (III)	(IV)
DESIGNER BOTTLE TRAP	3908 9057 0000 0999	167.00			
BUILT-IN SOAP DISPENSER more information can be found on the accessory pages	3916 9106 0001 0999	129.00			

CONO BUILT-IN WASHBASIN

- washbasin with premium character exudes elegance and harmony
- optimally integrated enamelled waste accentuates the underlying geometry of the washbasin
- perfectly complements the CONO range
- unusually generous rim provides space for fittings or individual accessories



Similar illustration



* Rotary knob hole for waste and overflow valve CLOU with cable pull and rotary knob optionally on the right or left

Model		3075	3080	3081	3082
External length	a ₁	500	600	900	1200 mm
Internal length	a ₅	432	532	832	1128 mm
External width	b ₁	500	500	500	500 mm
Internal width	b ₅	348	348	348	343 mm
Height of rim	c ₄	14	14	14	14 mm
Distance basin surface to bottom edge of waste hole	c ₁₂	112	112	112	112 mm
Distance rear edge to centre of waste hole	f ₅	290	290	290	290 mm
Depth of tap deck	l ₁	116	116	116	116 mm
Distance tap holes to edge	l ₂	45	45	45	45 mm
Distance external tap holes (for 3 tap holes)	l ₃	200	200	200	200 mm
Distance tap hole to centre of control knob hole	l ₅	200	250	275	275 mm
Diameter of control knob hole	l ₇	Ø 33	Ø 33	Ø 33	Ø 33 mm
Diameter of centre tap hole	l ₉	Ø 35	Ø 35	Ø 35	Ø 35 mm
Diameter of outside tap hole (for 3 tap holes only)	l ₁₀	Ø 30	Ø 30	Ø 30	Ø 30 mm
Net weight		7	7	10	14 kg

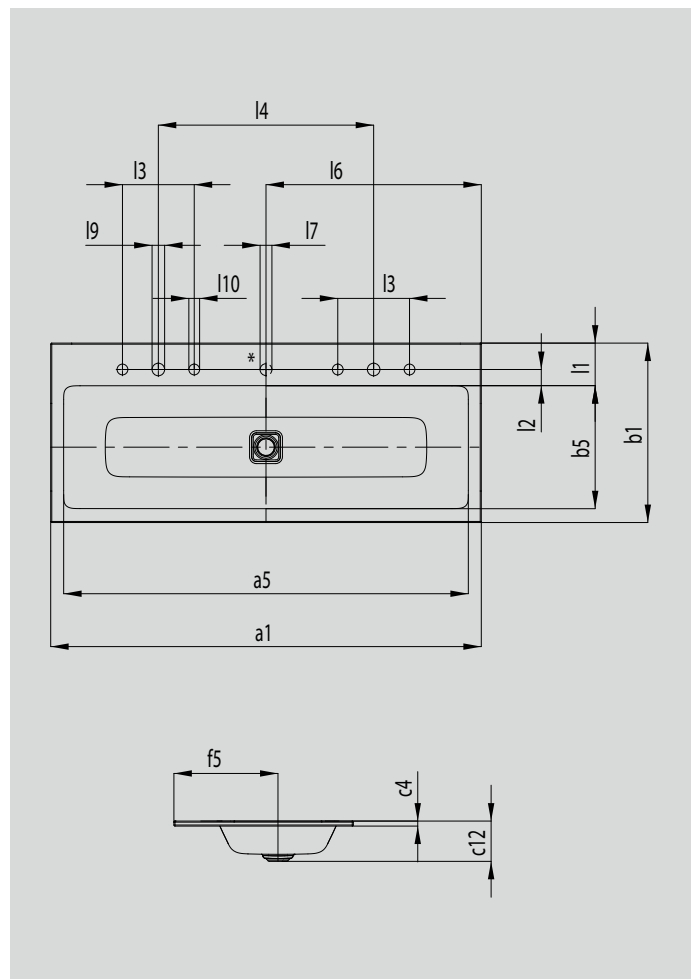
	Model Order No.	Dimensions mm	Colour price groups		
			Alpine White (I)	Sanitary Colours (II, III)	Coord. Colours (IV)
CONO BUILT-IN WASHBASIN with 1 x 1 tap hole with easy-clean finish and sound insulation enamelled on both sides without overflow	3075 9082 0601 3xxx	500 x 500 x 14	535.00	693.00	693.00
	3080 9016 0601 3xxx	600 x 500 x 14	675.00	876.00	876.00
	3081 9017 0601 3xxx	900 x 500 x 14	926.00	1,204.00	1,204.00
	3082 9018 0601 3xxx	1200 x 500 x 14	1,101.00	1,431.00	1,431.00
without tap hole	xxxx 0600 xxxx		without extra charge	without extra charge	without extra charge
1 x 3 tap holes	xxxx 0603 xxxx		without extra charge	without extra charge	without extra charge
inclusive of control knob hole for clou waste and overflow system with cable operated pop-up waste and deck mounted control knob	AVAILABLE ON REQUEST		without extra charge	without extra charge	without extra charge
REQUIRED: ACCESSORY ●¹			(I)	(II), (III)	(IV)
CLOU WASTE AND OVERFLOW SYSTEM FOR LEVER OPERATION POP-UP WASTE square, enamelled cover for fittings with lever operation	3901 9054 0000 xxxx		108.50	118.50	118.50
CLOU WASTE AND OVERFLOW SYSTEM WITH CABLE OPERATED POP-UP WASTE AND DECK MOUNTED CONTROL KNOB square, enamelled cover, chrome control knob includes extra charge for control knob hole; to be ordered with washbasin with control knob hole. This does not apply to undercounter washbasins.	3903 9056 0000 xxxx		255.00	280.00	280.00
CLOU WASTE AND OVERFLOW SYSTEM WITH CABLE OPERATED POP-UP WASTE AND DECK MOUNTED CONTROL KNOB with square, enamelled cover, white control knob includes extra charge for control knob hole: to be ordered with washbasin with control knob hole. This does not apply to undercounter washbasins.	3911 9103 0001 0001		295.00		
FREE-FLOW WASTE square, enamelled cover	3905 9059 0000 xxxx		75.00	82.00	82.00
OPTIONAL: ACCESSORY ●¹			(I)	(II), (III)	(IV)
DESIGNER BOTTLE TRAP	3908 9057 0000 0999	167.00			
BUILT-IN SOAP DISPENSER more information can be found on the accessory pages	3916 9106 0001 0999	129.00			

CONO BUILT-IN DOUBLE WASHBASIN

- washbasin with premium character exudes elegance and harmony
- optimally integrated enamelled waste accentuates the underlying geometry of the washbasin
- perfectly complements the CONO range
- unusually generous rim provides space for fittings or individual accessories



Similar illustration



* Rotary knob holes for waste and overflow valve CLOU with cable pull and rotary knob

Model		3082
External length	a ₁	1200 mm
Internal length	a ₅	1128 mm
External width	b ₁	500 mm
Internal width	b ₅	343 mm
Height of rim	c ₄	14 mm
Distance basin surface to bottom edge of waste hole	c ₁₂	112 mm
Distance rear edge to centre of waste hole	f ₅	290 mm
Depth of tap deck	l ₁	116 mm
Distance tap holes to edge	l ₂	45 mm
Distance external tap holes (for 3 tap holes)	l ₃	200 mm
Distance between tap holes	l ₄	600 mm
Distance centre of control knob hole to rear edge	l ₆	600 mm
Diameter of control knob hole	l ₇	Ø 33 mm
Diameter of centre tap hole	l ₉	Ø 35 mm
Diameter of outside tap hole (for 3 tap holes only)	l ₁₀	Ø 30 mm
Net weight		14 kg

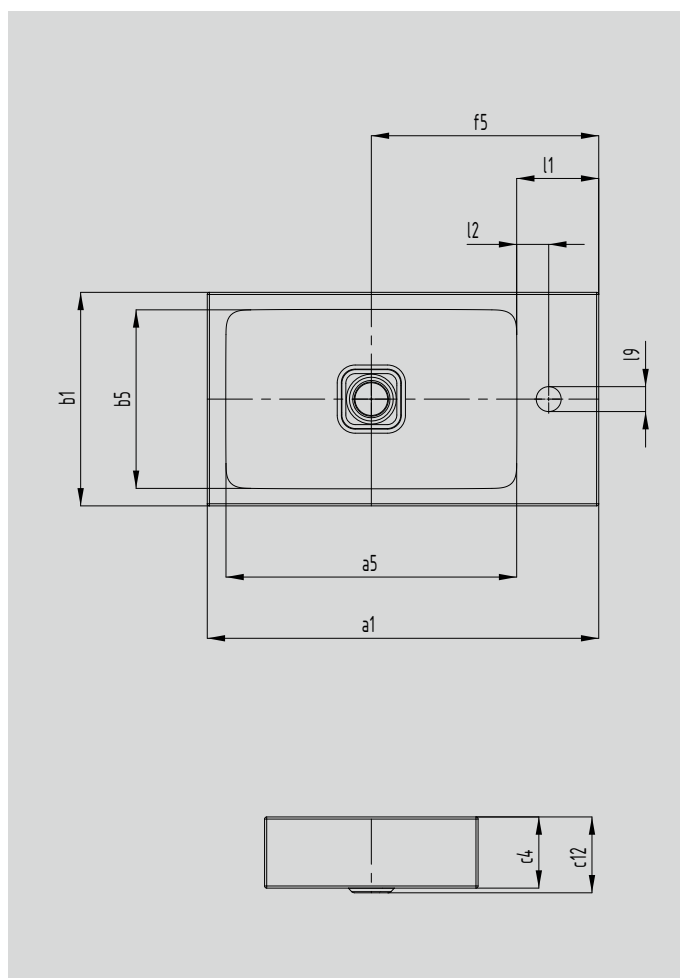
	Model Order No.	Dimensions mm	Colour price groups		
			Alpine White (I)	Sanitary Colours (II, III)	Coord. Colours (IV)
CONO BUILT-IN DOUBLE WASHBASIN with 2 x 1 tap holes with easy-clean finish and sound insulation enamelled on both sides without overflow	3082-D 901806043xxx	1200 x 500 x 14	1,101.00	1,431.00	1,431.00
without tap hole	xxxx0600xxxx		without extra charge	without extra charge	without extra charge
2 x 3 tap holes	xxxx0605xxxx		without extra charge	without extra charge	without extra charge
inclusive of control knob hole for clou waste and overflow system with cable operated pop-up waste and deck mounted control knob	AVAILABLE ON REQUEST		without extra charge	without extra charge	without extra charge
REQUIRED: ACCESSORY ●¹			(I)	(II), (III)	(IV)
CLOU WASTE AND OVERFLOW SYSTEM WITH CABLE OPERATED POP-UP WASTE AND DECK MOUNTED CONTROL KNOB square, enamelled cover, chrome control knob includes extra charge for control knob hole; to be ordered with washbasin with control knob hole. This does not apply to undercounter washbasins.	3903 90560000xxxx		255.00	280.00	280.00
CLOU WASTE AND OVERFLOW SYSTEM WITH CABLE OPERATED POP-UP WASTE AND DECK MOUNTED CONTROL KNOB with square, enamelled cover, white control knob includes extra charge for control knob hole: to be ordered with washbasin with control knob hole. This does not apply to undercounter washbasins.	3911 910300010001		295.00		
FREE-FLOW WASTE square, enamelled cover	3905 90590000xxxx		75.00	82.00	82.00
OPTIONAL: ACCESSORY ●¹			(I)	(II), (III)	(IV)
DESIGNER BOTTLE TRAP	3908 905700000999	167.00			
BUILT-IN SOAP DISPENSER more information can be found on the accessory pages	3916 910600010999	129.00			

CONO COUNTERTOP HANDBASIN

- washbasin with premium character exudes elegance and harmony
- optimally integrated enamelled waste accentuates the underlying geometry of the washbasin
- perfectly complements the CONO range
- unusually generous rim provides space for fittings or individual accessories



Similar illustration



Model		3074
External length	a_1	550 mm
Internal length	a_5	409 mm
External width	b_1	300 mm
Internal width	b_5	251 mm
Height of rim	c_4	100 mm
Distance basin surface to bottom edge of waste hole	c_{12}	102 mm
Distance rear edge to centre of waste hole	f_5	320 mm
Depth of tap deck	l_1	116 mm
Distance tap holes to edge	l_2	45 mm
Diameter of centre tap hole	l_9	Ø 35 mm
Net weight		8 kg



	Model Order No.	Dimensions mm	Colour price groups		
			Alpine White (I)	Sanitary Colours (II, III)	Coord. Colours (IV)
CONO COUNTERTOP HAND WASHBASIN with 1 x 1 tap hole tap hole optionally left or right with easy-clean finish and sound insulation enamelled on both sides without overflow	3074 9081 0601 3xxx	550 x 300 x 100	498.00	645.00	645.00
without tap hole	xxxx 0600 xxxx		without extra charge	without extra charge	without extra charge
REQUIRED: ACCESSORY ●¹			(I)	(II), (III)	(IV)
FREE-FLOW WASTE square, enamelled cover	3905 9059 0000 xxxx		75.00	82.00	82.00
OPTIONAL: ACCESSORY ●¹			(I)	(II), (III)	(IV)
DESIGNER BOTTLE TRAP	3908 9057 0000 0999	167.00			

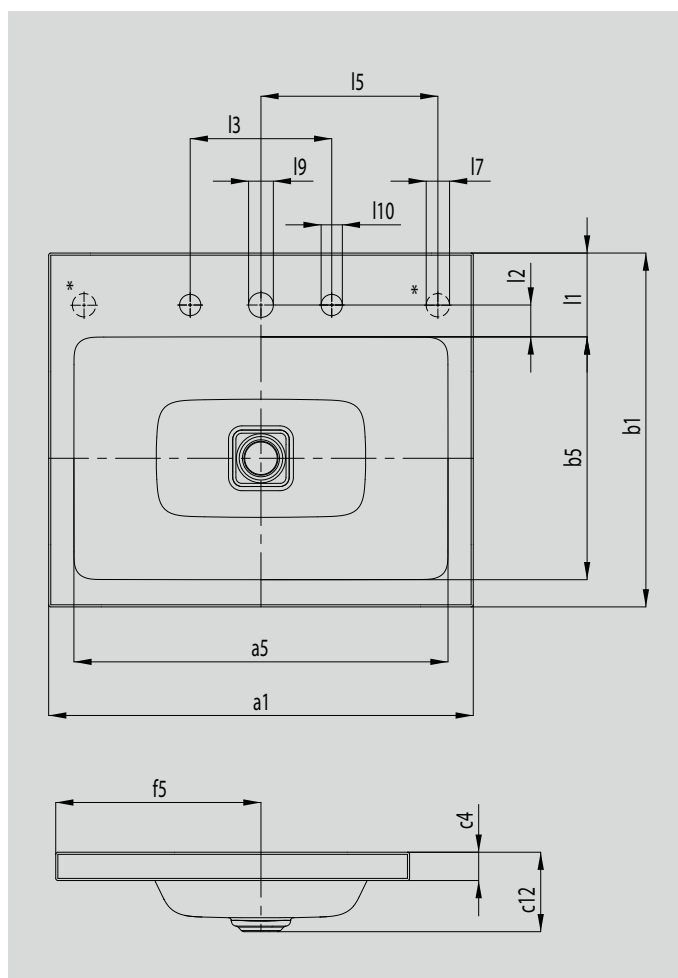


CONO INSET COUNTERTOP WASHBASIN

- washbasin with premium character exudes elegance and harmony
- optimally integrated enamelled waste accentuates the underlying geometry of the washbasin
- perfectly complements the CONO range
- unusually generous rim provides space for fittings or individual accessories



Similar illustration



* Rotary knob hole for waste and overflow valve CLOU with cable pull and rotary knob optionally on the right or left

Model		3076	3083	3084
External length	a ₁	500	600	900 mm
Internal length	a ₅	432	532	832 mm
External width	b ₁	500	500	500 mm
Internal width	b ₅	348	348	348 mm
Height of rim	c ₄	40	40	40 mm
Distance basin surface to bottom edge of waste hole	c ₁₂	112	112	112 mm
Distance rear edge to centre of waste hole	f ₅	290	290	290 mm
Depth of tap deck	l ₁	117	116	116 mm
Distance tap holes to edge	l ₂	45	45	45 mm
Distance external tap holes (for 3 tap holes)	l ₃	200	200	200 mm
Distance tap hole to centre of control knob hole	l ₅	200	225	275 mm
Diameter of control knob hole	l ₇	Ø 33	Ø 33	Ø 33 mm
Diameter of centre tap hole	l ₉	Ø 35	Ø 35	Ø 35 mm
Diameter of outside tap hole (for 3 tap holes only)	l ₁₀	Ø 30	Ø 30	Ø 30 mm
Net weight		8	10	13 kg

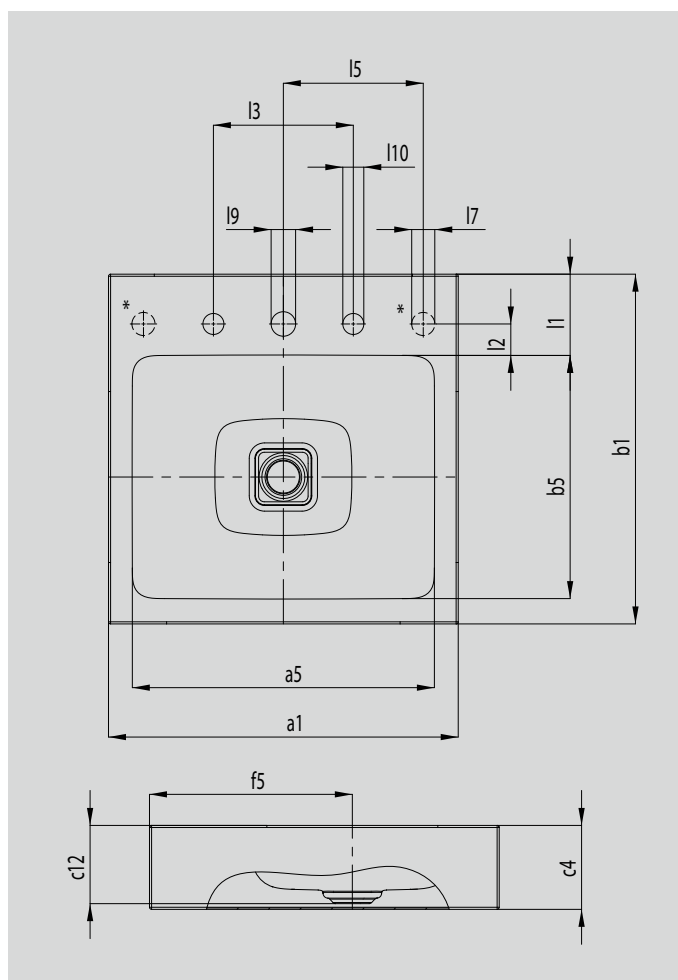
	Model Order No.	Dimensions mm	Colour price groups		
			Alpine White (I)	Sanitary Colours (II, III)	Coord. Colours (IV)
CONO INSET COUNTERTOP WASHBASIN (HEIGHT OF RIM 40 MM) with 1 x 1 tap hole with easy-clean finish and sound insulation enamelled on both sides without overflow	3076 9083 0601 3xxx	500 x 500 x 40	535.00	693.00	693.00
	3083 9019 0601 3xxx	600 x 500 x 40	675.00	876.00	876.00
	3084 9020 0601 3xxx	900 x 500 x 40	926.00	1,204.00	1,204.00
without tap hole	xxxx 0600 xxxx		without extra charge	without extra charge	without extra charge
1 x 3 tap holes	xxxx 0603 xxxx		without extra charge	without extra charge	without extra charge
inclusive of control knob hole for clou waste and overflow system with cable operated pop-up waste and deck mounted control knob	AVAILABLE ON REQUEST		without extra charge	without extra charge	without extra charge
REQUIRED: ACCESSORY ●¹			(I)	(II), (III)	(IV)
CLOU WASTE AND OVERFLOW SYSTEM FOR LEVER OPERATION POP-UP WASTE square, enamelled cover for fittings with lever operation	3901 9054 0000 xxxx		108.50	118.50	118.50
CLOU WASTE AND OVERFLOW SYSTEM WITH CABLE OPERATED POP-UP WASTE AND DECK MOUNTED CONTROL KNOB square, enamelled cover, chrome control knob includes extra charge for control knob hole; to be ordered with washbasin with control knob hole. This does not apply to undercounter washbasins.	3903 9056 0000 xxxx		255.00	280.00	280.00
CLOU WASTE AND OVERFLOW SYSTEM WITH CABLE OPERATED POP-UP WASTE AND DECK MOUNTED CONTROL KNOB with square, enamelled cover, white control knob includes extra charge for control knob hole: to be ordered with washbasin with control knob hole. This does not apply to undercounter washbasins.	3911 9103 0001 0001		295.00		
FREE-FLOW WASTE square, enamelled cover	3905 9059 0000 xxxx		75.00	82.00	82.00
OPTIONAL: ACCESSORY ●¹			(I)	(II), (III)	(IV)
DESIGNER BOTTLE TRAP	3908 9057 0000 0999	167.00			
BUILT-IN SOAP DISPENSER more information can be found on the accessory pages	3916 9106 0001 0999	129.00			

CONO INSET COUNTERTOP WASHBASIN

- washbasin with premium character exudes elegance and harmony
- optimally integrated enamelled waste accentuates the underlying geometry of the washbasin
- perfectly complements the CONO range
- unusually generous rim provides space for fittings or individual accessories



Similar illustration



* Rotary knob hole for waste and overflow valve CLOU with cable pull and rotary knob optionally on the right or left

Model		3077	3085	3086
External length	a_1	500	600	900 mm
Internal length	a_5	432	532	832 mm
External width	b_1	500	500	500 mm
Internal width	b_5	348	348	348 mm
Height of rim	c_4	120	120	120 mm
Distance basin surface to bottom edge of waste hole	c_{12}	112	112	112 mm
Distance rear edge to centre of waste hole	f_5	290	290	290 mm
Depth of tap deck	l_1	117	116	116 mm
Distance tap holes to edge	l_2	45	45	45 mm
Distance external tap holes (for 3 tap holes)	l_3	200	200	200 mm
Distance tap hole to centre of control knob hole	l_5	200	250	275 mm
Diameter of control knob hole	l_7	Ø 33	Ø 33	Ø 33 mm
Diameter of centre tap hole	l_9	Ø 35	Ø 35	Ø 35 mm
Diameter of outside tap hole (for 3 tap holes only)	l_{10}	Ø 30	Ø 30	Ø 30 mm
Net weight		12	15	18 kg

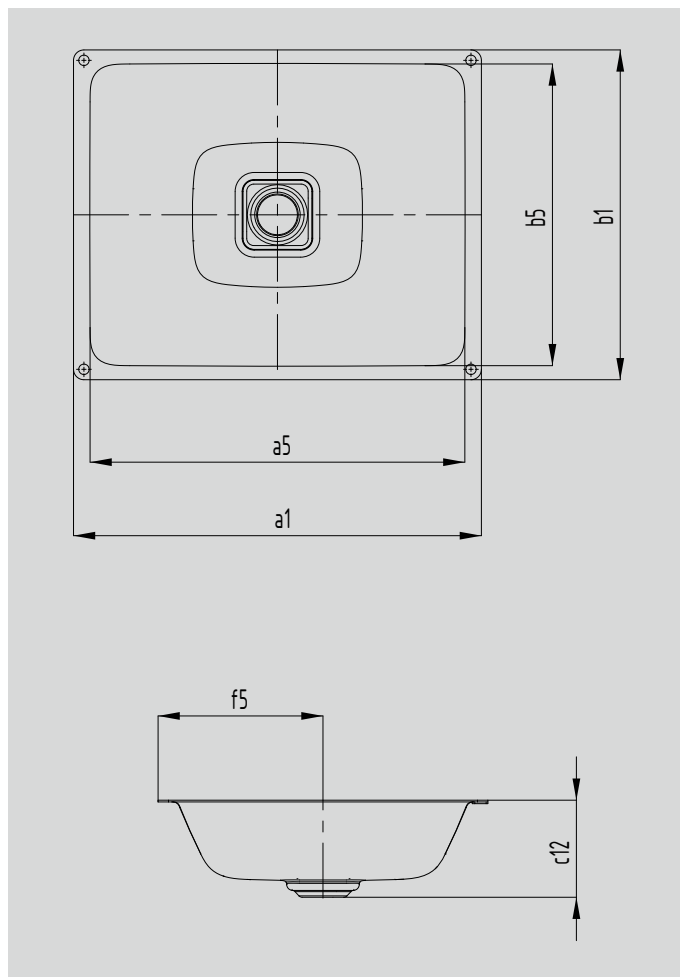
	Model Order No.	Dimensions mm	Colour price groups		
			Alpine White (I)	Sanitary Colours (II, III)	Coord. Colours (IV)
CONO COUNTERTOP WASHBASIN 120 MM with 1 x 1 tap hole with easy-clean finish and sound insulation enamelled on both sides without overflow	3077 9084 0601 3xxx	500 x 500 x 120	535.00	693.00	693.00
	3085 9021 0601 3xxx	600 x 500 x 120	675.00	876.00	876.00
	3086 9022 0601 3xxx	900 x 500 x 120	926.00	1,204.00	1,204.00
without tap hole	xxxx 0600 xxxx		without extra charge	without extra charge	without extra charge
1 x 3 tap holes	xxxx 0603 xxxx		without extra charge	without extra charge	without extra charge
inclusive of control knob hole for clou waste and overflow system with cable operated pop-up waste and deck mounted control knob	AVAILABLE ON REQUEST		without extra charge	without extra charge	without extra charge
REQUIRED: ACCESSORY ●¹			(I)	(II), (III)	(IV)
CLOU WASTE AND OVERFLOW SYSTEM FOR LEVER OPERATION POP-UP WASTE square, enamelled cover for fittings with lever operation	3901 9054 0000 xxxx		108.50	118.50	118.50
CLOU WASTE AND OVERFLOW SYSTEM WITH CABLE OPERATED POP-UP WASTE AND DECK MOUNTED CONTROL KNOB square, enamelled cover, chrome control knob includes extra charge for control knob hole; to be ordered with washbasin with control knob hole. This does not apply to undercounter washbasins.	3903 9056 0000 xxxx		255.00	280.00	280.00
CLOU WASTE AND OVERFLOW SYSTEM WITH CABLE OPERATED POP-UP WASTE AND DECK MOUNTED CONTROL KNOB with square, enamelled cover, white control knob includes extra charge for control knob hole: to be ordered with washbasin with control knob hole. This does not apply to undercounter washbasins.	3911 9103 0001 0001		295.00		
FREE-FLOW WASTE square, enamelled cover	3905 9059 0000 xxxx		75.00	82.00	82.00
OPTIONAL: ACCESSORY ●¹			(I)	(II), (III)	(IV)
DESIGNER BOTTLE TRAP	3908 9057 0000 0999	167.00			
BUILT-IN SOAP DISPENSER more information can be found on the accessory pages	3916 9106 0001 0999	129.00			

CONO UNDERCOUNTER WASHBASIN

- washbasin with premium character exudes elegance and harmony
- optimally integrated enamelled waste accentuates the underlying geometry of the washbasin
- perfectly complements the CONO range
- unusually generous rim provides space for fittings or individual accessories



Similar illustration



Model		3078	3087	3088
External length	a_1	470	569	869 mm
Internal length	a_5	432	532	832 mm
External width	b_1	381	382	382 mm
Internal width	b_5	348	348	348 mm
Distance basin surface to bottom edge of waste hole	c_{12}	112	112	112 mm
Distance rear edge to centre of waste hole	f_5	191	191	191 mm
Net weight		5	7	9 kg

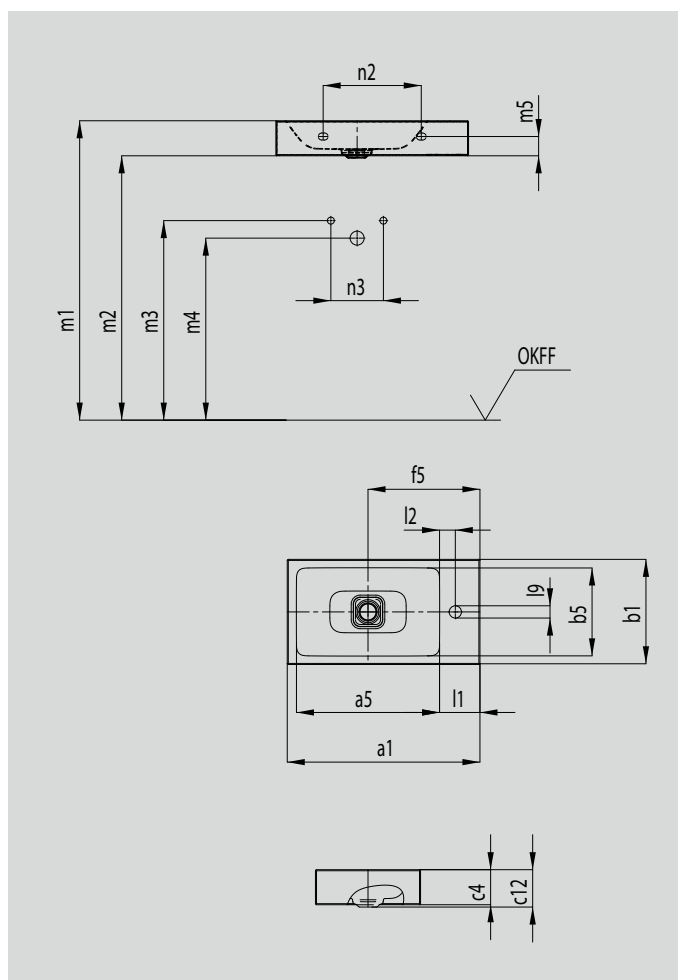
	Model Order No.	Dimensions mm	Colour price groups		
			Alpine White (I)	Sanitary Colours (II, III)	Coord. Colours (IV)
CONO UNDERCOUNTER WASHBASIN with easy-clean finish and sound insulation enamelled on both sides without overflow	3078 908506003xxx	470 x 381	507.00	658.00	658.00
	3087 902306003xxx	569 x 382	608.00	788.00	788.00
	3088 902406003xxx	869 x 382	835.00	1,087.00	1,087.00
REQUIRED: ACCESSORY ●¹			(I)	(II), (III)	(IV)
CLOU WASTE AND OVERFLOW SYSTEM FOR LEVER OPERATION POP-UP WASTE square, enamelled cover for fittings with lever operation	3901 90540000xxxx		108.50	118.50	118.50
CLOU WASTE AND OVERFLOW SYSTEM WITH CABLE OPERATED POP-UP WASTE AND DECK MOUNTED CONTROL KNOB square, enamelled cover, chrome control knob includes extra charge for control knob hole; to be ordered with washbasin with control knob hole. This does not apply to undercounter washbasins.	3903 90560000xxxx		255.00	280.00	280.00
CLOU WASTE AND OVERFLOW SYSTEM WITH CABLE OPERATED POP-UP WASTE AND DECK MOUNTED CONTROL KNOB with square, enamelled cover, white control knob includes extra charge for control knob hole: to be ordered with washbasin with control knob hole. This does not apply to undercounter washbasins.	3911 910300010001		295.00		
FREE-FLOW WASTE square, enamelled cover	3905 90590000xxxx		75.00	82.00	82.00
OPTIONAL: ACCESSORY ●¹			(I)	(II), (III)	(IV)
DESIGNER BOTTLE TRAP	3908 905700000999	167.00			

CONO WALL-HUNG HANDBASIN

- washbasin with premium character exudes elegance and harmony
- optimally integrated enamelled waste accentuates the underlying geometry of the washbasin
- perfectly complements the CONO range
- unusually generous rim provides space for fittings or individual accessories



Similar illustration



Model		3073
External length	a_1	550 mm
Internal length	a_5	408 mm
External width	b_1	300 mm
Internal width	b_5	251 mm
Height of rim	c_4	100 mm
Distance basin surface to bottom edge of waste hole	c_{12}	102 mm
Distance rear edge to centre of waste hole	f_5	320 mm
Depth of tap deck	l_1	115 mm
Distance tap holes to edge	l_2	45 mm
Diameter of centre tap hole	l_9	Ø 35 mm
Distance FF to top edge basin surface	m_1	820 - 850 mm
Distance FF to bottom edge	m_2	700 - 730 mm
Distance FF to centre of water inlet	m_3	570 - 600 mm
Distance FF to centre of waste hole wall connection	m_4	520 - 580 mm
Distance bottom edge to centre of fixing hole	m_5	65 mm
Internal distance of fixing holes	n_2	280 mm
Distance hot/cold water inlet	n_3	80 - 150 mm
Net weight		8 kg

	Model Order No.	Dimensions mm	Colour price groups		
			Alpine White (I)	Sanitary Colours (II, III)	Coord. Colours (IV)
CONO WALL-HUNG HAND WASHBASIN tap hole right with 1 x 1 tap hole with easy-clean finish, sound insulation and sound insulating tape enamelled on both sides without overflow	3073 9080 0601 3xxx	550 x 300 x 100	498.00	645.00	645.00
without tap hole	xxxx 0600 xxxx		without extra charge	without extra charge	without extra charge
tap hole ledge left, with 1 x 1 tap hole	xxxx 0639 xxxx		without extra charge	without extra charge	without extra charge
tap hole ledge left, without tap hole	xxxx 0643 xxxx		without extra charge	without extra charge	without extra charge
REQUIRED: ACCESSORY ●¹			(I)	(II), (III)	(IV)
FREE-FLOW WASTE square, enamelled cover	3905 9059 0000 xxxx		75.00	82.00	82.00
OPTIONAL: ACCESSORY ●¹			(I)	(II), (III)	(IV)
DESIGNER BOTTLE TRAP	3908 9057 0000 0999	167.00			

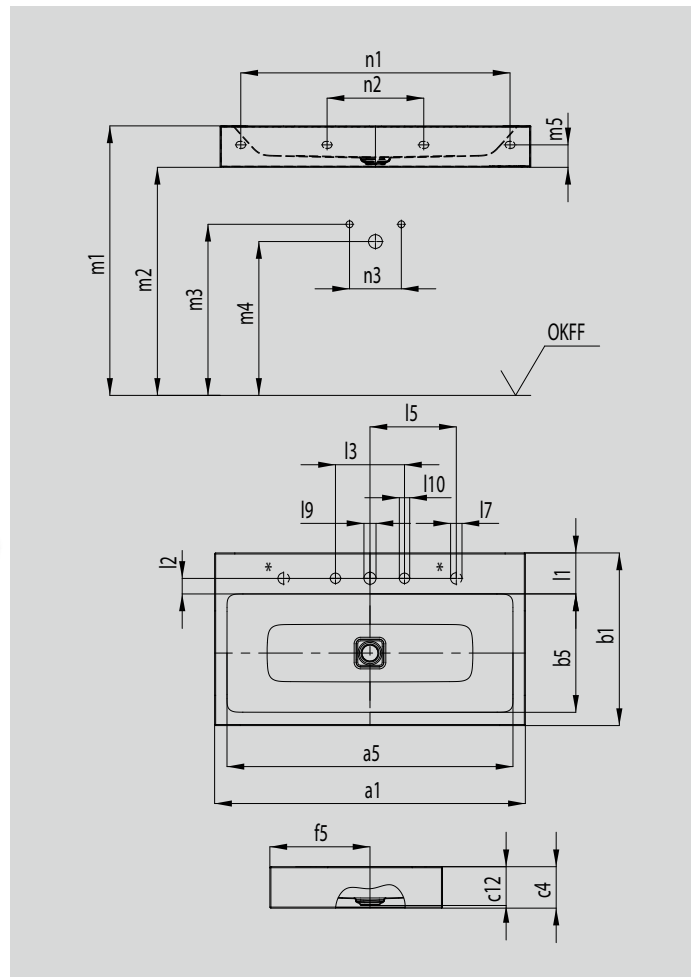


CONO WALL-HUNG WASHBASIN

- washbasin with premium character exudes elegance and harmony
- optimally integrated enamelled waste accentuates the underlying geometry of the washbasin
- perfectly complements the CONO range
- unusually generous rim provides space for fittings or individual accessories



Similar illustration



* Rotary knob hole for waste and overflow valve CLOU with cable pull and rotary knob optionally on the right or left

Model		3079	3089	3090	3091
External length	a_1	500	600	900	1200 mm
Internal length	a_5	432	532	832	1128 mm
External width	b_1	500	500	500	500 mm
Internal width	b_5	348	348	348	343 mm
Height of rim	c_4	120	120	120	120 mm
Distance basin surface to bottom edge of waste hole	c_{12}	112	112	112	112 mm
Distance rear edge to centre of waste hole	f_5	290	290	290	290 mm
Depth of tap deck	l_1	116	116	116	116 mm
Distance tap holes to edge	l_2	45	45	45	45 mm
Distance external tap holes (for 3 tap holes)	l_3	200	200	200	200 mm
Distance tap hole to centre of control knob hole	l_5	200	250	275	275 mm
Diameter of control knob hole	l_7	Ø 33	Ø 33	Ø 33	Ø 33 mm
Diameter of centre tap hole	l_9	Ø 35	Ø 35	Ø 35	Ø 35 mm
Diameter of outside tap hole (for 3 tap holes only)	l_{10}	Ø 30	Ø 30	Ø 30	Ø 30 mm
Distance FF to top edge basin surface	m_1	820 - 850	820 - 850	820 - 850	820 - 850 mm
Distance FF to bottom edge	m_2	700 - 730	700 - 730	700 - 730	700 - 730 mm
Distance FF to centre of water inlet	m_3	570 - 600	570 - 600	570 - 600	570 - 600 mm
Distance FF to centre of waste hole wall connection	m_4	520 - 580	520 - 580	520 - 580	520 - 580 mm
Distance bottom edge to centre of fixing hole	m_5	65	65	65	65 mm
External distance of fixing holes	n_1			780	1040 mm
Internal distance of fixing holes	n_2	280	280	280	280 mm
Distance hot/cold water inlet	n_3	80 - 150	80 - 150	80 - 150	80 - 150 mm
Net weight		12	13	18	23 kg

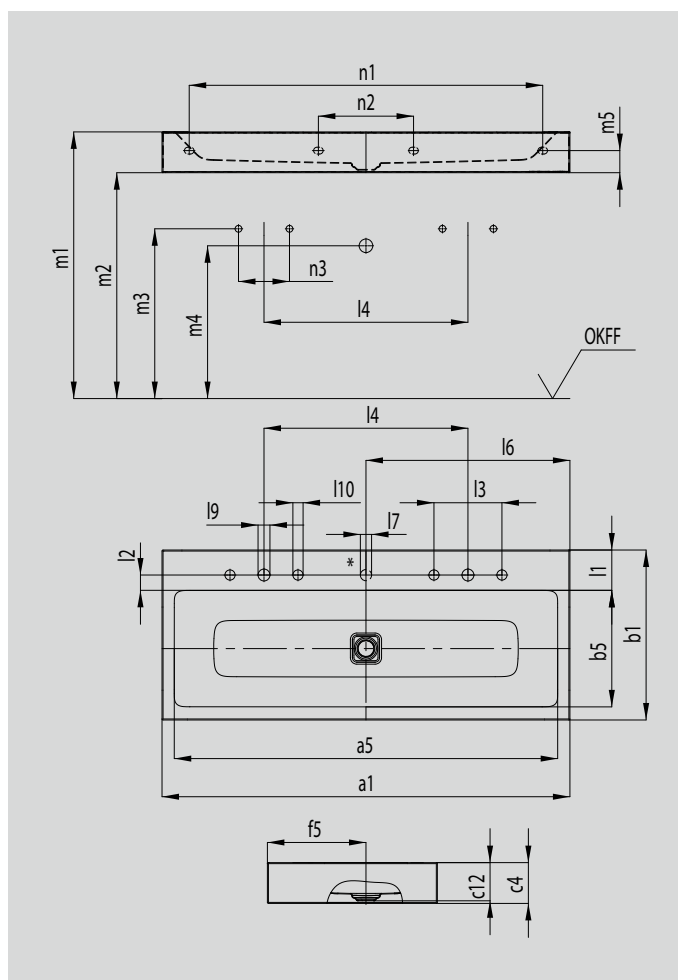
	Model Order No.	Dimensions mm	Colour price groups		
			Alpine White (I)	Sanitary Colours (II, III)	Coord. Colours (IV)
CONO WALL-HUNG WASHBASIN with 1 x 1 tap hole with easy-clean finish, sound insulation and insulation tape enamelled on both sides without overflow	3079 908606013xxx	500 x 500 x 120	535.00	693.00	693.00
	3089 902506013xxx	600 x 500 x 120	675.00	876.00	876.00
	3090 902606013xxx	900 x 500 x 120	926.00	1,204.00	1,204.00
	3091 902706013xxx	1200 x 500 x 120	1,101.00	1,431.00	1,431.00
without tap hole	xxxx0600xxxx		without extra charge	without extra charge	without extra charge
1 x 3 tap holes	xxxx0603xxxx		without extra charge	without extra charge	without extra charge
inclusive of control knob hole for clou waste and overflow system with cable operated pop-up waste and deck mounted control knob	AVAILABLE ON REQUEST		without extra charge	without extra charge	without extra charge
REQUIRED: ACCESSORY ●¹			(I)	(II), (III)	(IV)
CLOU WASTE AND OVERFLOW SYSTEM FOR LEVER OPERATION POP-UP WASTE square, enamelled cover for fittings with lever operation	3901 90540000xxxx		108.50	118.50	118.50
CLOU WASTE AND OVERFLOW SYSTEM WITH CABLE OPERATED POP-UP WASTE AND DECK MOUNTED CONTROL KNOB square, enamelled cover, chrome control knob includes extra charge for control knob hole; to be ordered with washbasin with control knob hole. This does not apply to undercounter washbasins.	3903 90560000xxxx		255.00	280.00	280.00
CLOU WASTE AND OVERFLOW SYSTEM WITH CABLE OPERATED POP-UP WASTE AND DECK MOUNTED CONTROL KNOB with square, enamelled cover, white control knob includes extra charge for control knob hole: to be ordered with washbasin with control knob hole. This does not apply to undercounter washbasins.	3911 910300010001		295.00		
FREE-FLOW WASTE square, enamelled cover	3905 90590000xxxx		75.00	82.00	82.00
OPTIONAL: ACCESSORY ●¹					
DESIGNER BOTTLE TRAP	3908 905700000999	167.00			
BUILT-IN SOAP DISPENSER more information can be found on the accessory pages	3916 910600010999	129.00			

CONO WALL-HUNG DOUBLE WASHBASIN

- washbasin with premium character exudes elegance and harmony
- optimally integrated enamelled waste accentuates the underlying geometry of the washbasin
- perfectly complements the CONO range
- unusually generous rim provides space for fittings or individual accessories



Similar illustration



* Rotary knob holes for waste and overflow valve CLOU with cable pull and rotary knob

Model		3091
External length	a ₁	1200 mm
Internal length	a ₅	1128 mm
External width	b ₁	500 mm
Internal width	b ₅	343 mm
Height of rim	c ₄	120 mm
Distance basin surface to bottom edge of waste hole	c ₁₂	112 mm
Distance rear edge to centre of waste hole	f ₅	290 mm
Depth of tap deck	l ₁	116 mm
Distance tap holes to edge	l ₂	45 mm
Distance external tap holes (for 3 tap holes)	l ₃	200 mm
Distance between tap holes	l ₄	600 mm
Distance centre of control knob hole to rear edge	l ₆	600 mm
Diameter of control knob hole	l ₇	Ø 33 mm
Diameter of centre tap hole	l ₉	Ø 35 mm
Diameter of outside tap hole (for 3 tap holes only)	l ₁₀	Ø 30 mm
Distance FF to top edge basin surface	m ₁	820 - 850 mm
Distance FF to bottom edge	m ₂	700 - 730 mm
Distance FF to centre of water inlet	m ₃	570 - 600 mm
Distance FF to centre of waste hole wall connection	m ₄	520 - 580 mm
Distance bottom edge to centre of fixing hole	m ₅	65 mm
External distance of fixing holes	n ₁	1040 mm
Internal distance of fixing holes	n ₂	280 mm
Distance hot/cold water inlet	n ₃	80 - 150 mm
Net weight		23 kg

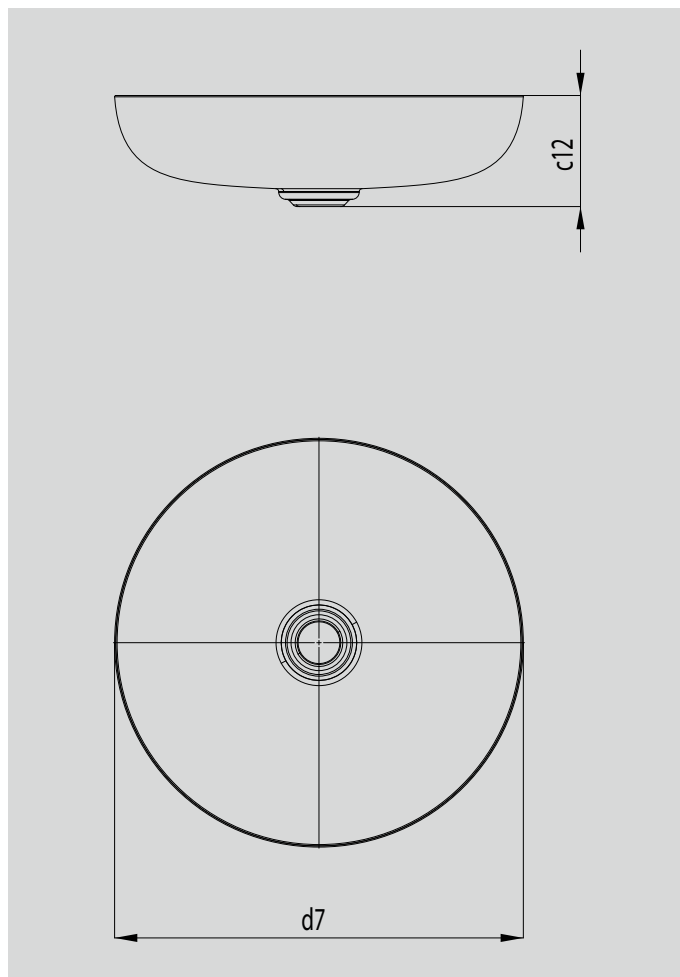
	Model Order No.	Dimensions mm	Colour price groups		
			Alpine White (I)	Sanitary Colours (II, III)	Coord. Colours (IV)
CONO WALL-HUNG DOUBLE WASHBASIN with 2 x 1 tap holes with easy-clean finish, sound insulation and sound insulation tape enamelled on both sides without overflow	3091-D 902706043xxx	1200 x 500 x 120	1,101.00	1,431.00	1,431.00
without tap hole	xxxx0600xxxx		without extra charge	without extra charge	without extra charge
2 x 3 tap holes	xxxx0605xxxx		without extra charge	without extra charge	without extra charge
inclusive of control knob hole for clou waste and overflow system with cable operated pop-up waste and deck mounted control knob	AVAILABLE ON REQUEST		without extra charge	without extra charge	without extra charge
REQUIRED: ACCESSORY ●¹			(I)	(II), (III)	(IV)
CLOU WASTE AND OVERFLOW SYSTEM WITH CABLE OPERATED POP-UP WASTE AND DECK MOUNTED CONTROL KNOB square, enamelled cover, chrome control knob includes extra charge for control knob hole; to be ordered with washbasin with control knob hole. This does not apply to undercounter washbasins.	3903 90560000xxxx		255.00	280.00	280.00
CLOU WASTE AND OVERFLOW SYSTEM WITH CABLE OPERATED POP-UP WASTE AND DECK MOUNTED CONTROL KNOB with square, enamelled cover, white control knob includes extra charge for control knob hole: to be ordered with washbasin with control knob hole. This does not apply to undercounter washbasins.	3911 910300010001		295.00		
FREE-FLOW WASTE square, enamelled cover	3905 90590000xxxx		75.00	82.00	82.00
OPTIONAL: ACCESSORY ●¹			(I)	(II), (III)	(IV)
DESIGNER BOTTLE TRAP	3908 905700000999	167.00			
BUILT-IN SOAP DISPENSER more information can be found on the accessory pages	3916 910600010999	129.00			

MIENA WASHBOWL

- Premium products redefine the concept of sophisticated minimalism
- Iconic in bathroom design: ideal for combination with elegant fittings
- Versatile combination with bathtubs and shower surfaces designed for a “perfect match”
- made of KALDEWEI steel enamel – resilient and durable material matched perfectly to the design
- designed by Anke Salomon



Similar illustration



Model		3180	3181
Distance basin surface to bottom edge of waste hole	c_{12}	122	122 mm
External diameter	d_7	450	380 mm
Net weight		7	6 kg



	Model Order No.	Dimensions mm	Colour price groups		
			Alpine White (I)	Sanitary Colours (II, III)	Coord. Colours (IV) & Trend Colours
MIENA WASHBOWL with easy-clean finish enamelled on both sides without overflow	3180 909306003xxx	Ø 450	600.00	779.00	779.00
	3181 909406003xxx	Ø 380	449.00	585.00	585.00
REQUIRED: ACCESSORY ●¹			(I)	(II), (III)	(IV)
FREE-FLOW WASTE round, enamelled cover	3904 90580000xxx		75.00	82.00	82.00
OPTIONAL: ACCESSORY ●¹			(I)	(II), (III)	(IV)
DESIGNER BOTTLE TRAP	3908 90570000999	167.00			

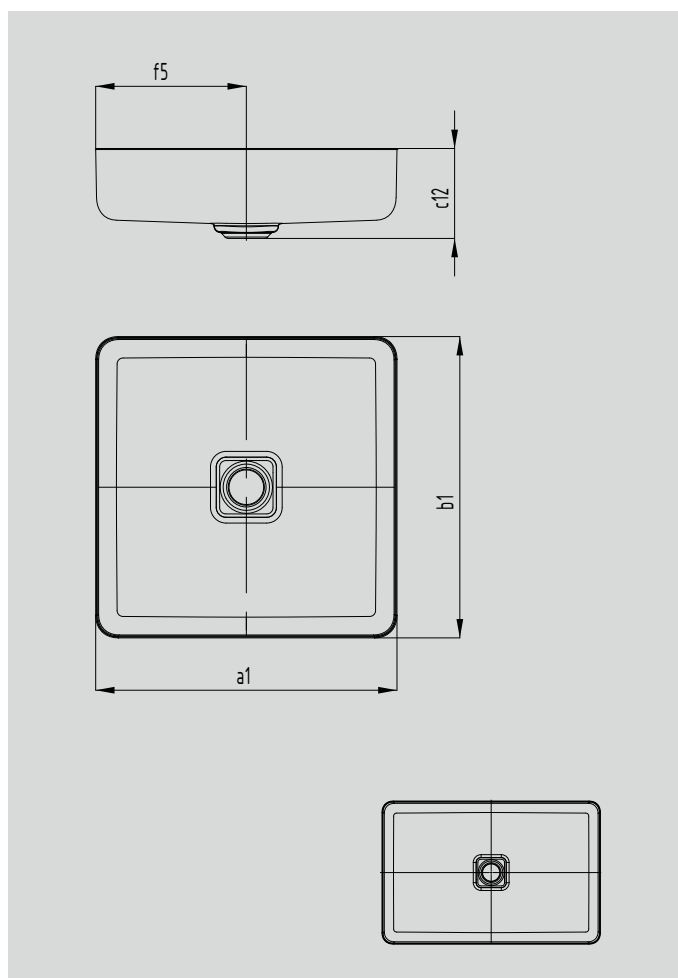


MIENA WASHBOWL

- Premium products redefine the concept of sophisticated minimalism
- Iconic in bathroom design: ideal for combination with elegant fittings
- Versatile combination with bathtubs and shower surfaces designed for a “perfect match”
- made of KALDEWEI steel enamel – resilient and durable material matched perfectly to the design
- designed by Anke Salomon



Similar illustration



Model		3184	3185
External length	a_1	400	580 mm
External width	b_1	400	380 mm
Distance basin surface to bottom edge of waste hole	c_{12}	119	119 mm
Distance rear edge to centre of waste hole	f_5	200	190 mm
Net weight		6	8 kg



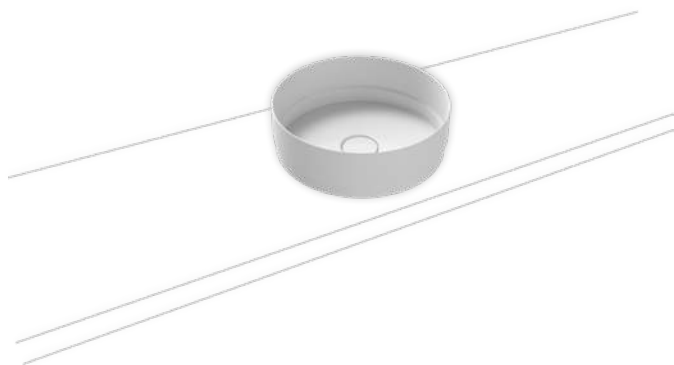
	Model Order No.	Dimensions mm	Colour price groups		
			Alpine White (I)	Sanitary Colours (II, III)	Coord. Colours (IV)
MIENA WASHBOWL with easy-clean finish enamelled on both sides without overflow	3184 9095 0600 3xxx	400 x 400	600.00	779.00	779.00
	3185 9096 0600 3xxx	580 x 380	749.00	975.00	975.00
REQUIRED: ACCESSORY ●¹			(I)	(II), (III)	(IV)
FREE-FLOW WASTE square, enamelled cover	3905 9059 0000 xxxx		75.00	82.00	82.00
OPTIONAL: ACCESSORY ●¹			(I)	(II), (III)	(IV)
DESIGNER BOTTLE TRAP	3908 9057 0000 0999	167.00			



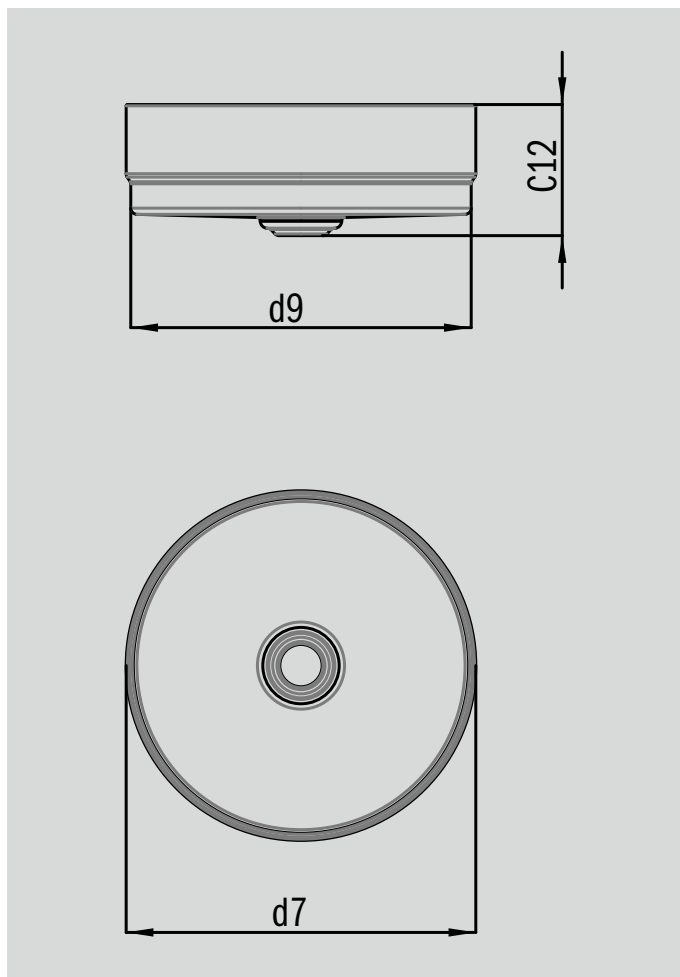
NUEVA WASHBOWL

NEW

- clear, elementary form as an antithesis to an increasingly complex world
- a concise offset in the contour predestines the washbowl to become the classic of tomorrow
- the narrow radii are accentuated in the interplay with the cubic forms in the room architecture
- made of KALDEWEI steel enamel - sustainable and long-lasting thanks to the material perfectly matched to the design
- Designed by Werner Aisslinger



Similar illustration



Model		3191
Distance basin surface to bottom edge of waste hole	c_{12}	142 mm
External diameter	d_7	380 mm
External diameter bottom	d_9	370 mm
Net weight		5 kg

Subject to technical alterations, tolerances and errors. Similar illustration.

	Model Order No.	Dimensions mm	Colour price groups			GBP
			Alpine White (I)	Sanitary Colours (II, III)	Coord. Colours (IV)	
NUEVA WASHBOWL including easy-clean finish enameled on both sides without overflow	3191 911206003xxx	Ø 380	654.00	850.00	850.00	
REQUIRED: ACCESSORY ●¹		PRICE	(I)	(II), (III)	(IV)	
FREE-FLOW WASTE round, enamelled cover	3904 90580000xxxx		75.00	82.00	82.00	
OPTIONAL: ACCESSORY ●¹		PRICE	(I)	(II), (III)	(IV)	
DESIGNER BOTTLE TRAP	3908 905700000999	167.00				

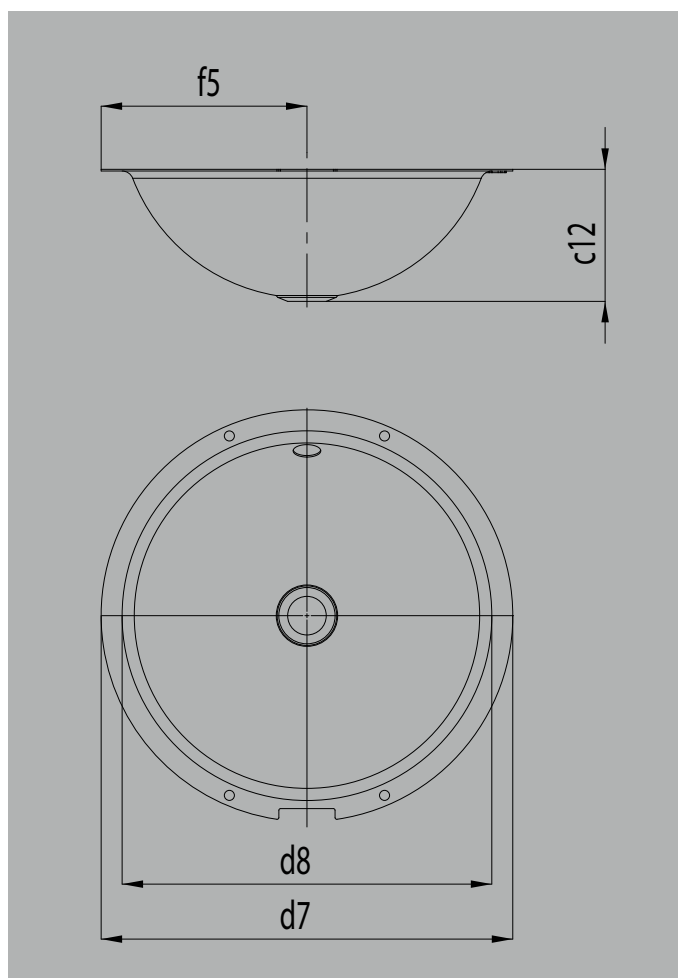


CLASSIC UNDERCOUNTER WASHBASIN

- elegant and timeless design
- flowing interior shape allows simple and effective unity with your chosen vanity unit or console
- maximised space is achieved for your bathroom accessories and fittings
- perfect match with CLASSIC range
- made of KALDEWEI steel enamel



Similar illustration



Model		3182	3183
Distance basin surface to bottom edge of waste hole	c_{12}	157	137 mm
External diameter	d_7	491	432 mm
inner diameter top	d_8	420	360 mm
Distance rear edge to centre of waste hole	f_5	246	216 mm
Net weight		7	7 kg

Subject to technical alterations, tolerances and errors. Similar illustration.



	Model	Dimensions	Colour price groups			GBP
	Order No.	mm	Alpine White (I)	Sanitary Colours (II, III)	Coord. Colours (IV)	
CLASSIC UNDERCOUNTER WASHBASIN with overflow fitting, easy-clean finish and sound insulation enamelled on both sides with overflow	3182 910006003xxx	Ø 420	401.00	520.00	520.00	
	3183 910106003xxx	Ø 360	328.00	426.00	426.00	
OPTIONAL: ACCESSORY ● ¹		PRICE	(I)	(II), (III)	(IV)	
PUSH-TO-OPEN WASTE CHROME-PLATED BRASS with chrome cover	3915 910500010999	64.50				
DESIGNER BOTTLE TRAP	3908 905700000999	167.00				

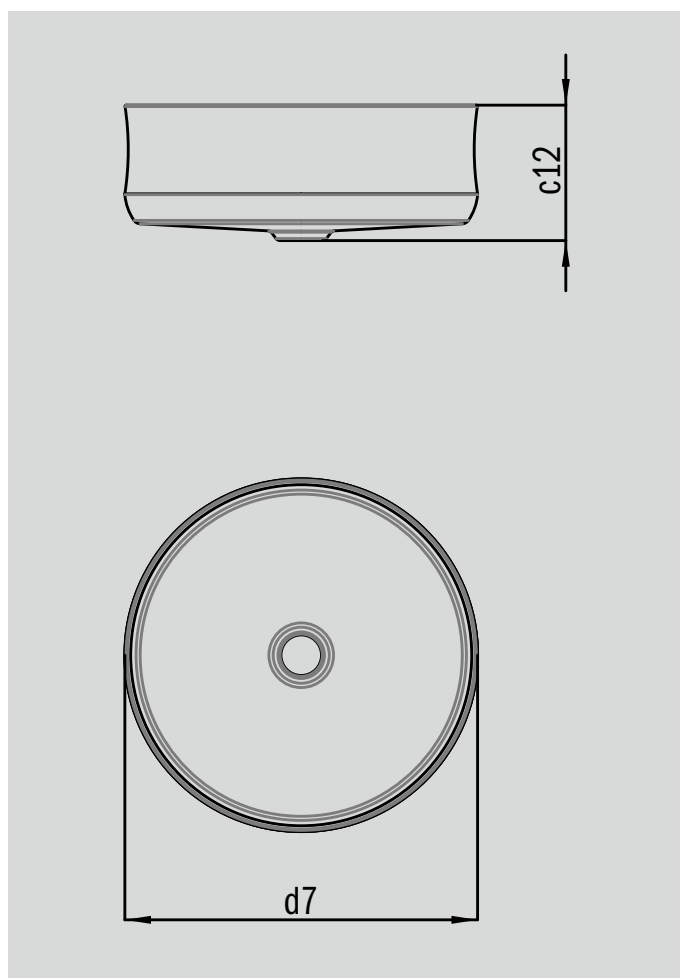


MING WASHBASIN BOWL

- Premium products redefine the concept of sophisticated minimalism
- The traditional and the modern in perfect harmony
- Iconic in bathroom design: ideal for combination with elegant fittings
- Luxurious bathroom design thanks to focus on lavish comfort
- made of KALDEWEI steel enamel



Similar illustration



Model		3186
Distance basin surface to bottom edge of waste hole	c_{12}	154 mm
External diameter	d_7	400 mm
Net weight		6 kg



	Model	Dimensions	Colour price groups			GBP
	Order No.	mm	Alpine White (I)	Sanitary Colours (II, III)	Coord. Colours (IV)	
MING WASHBASIN BOWL easy-clean finish included enamelled on both sides without overflow	3186 913306003xxx	Ø 400	611.00	794.00	794.00	
OPTIONAL: ACCESSORY ● ¹		PRICE	(I)	(II), (III)	(IV)	
CHROME-PLATED BRASS PERMANENT DRAIN VALVE with chrome cover	3917 910700010999	59.00				
DESIGNER BOTTLE TRAP	3908 905700000999	167.00				

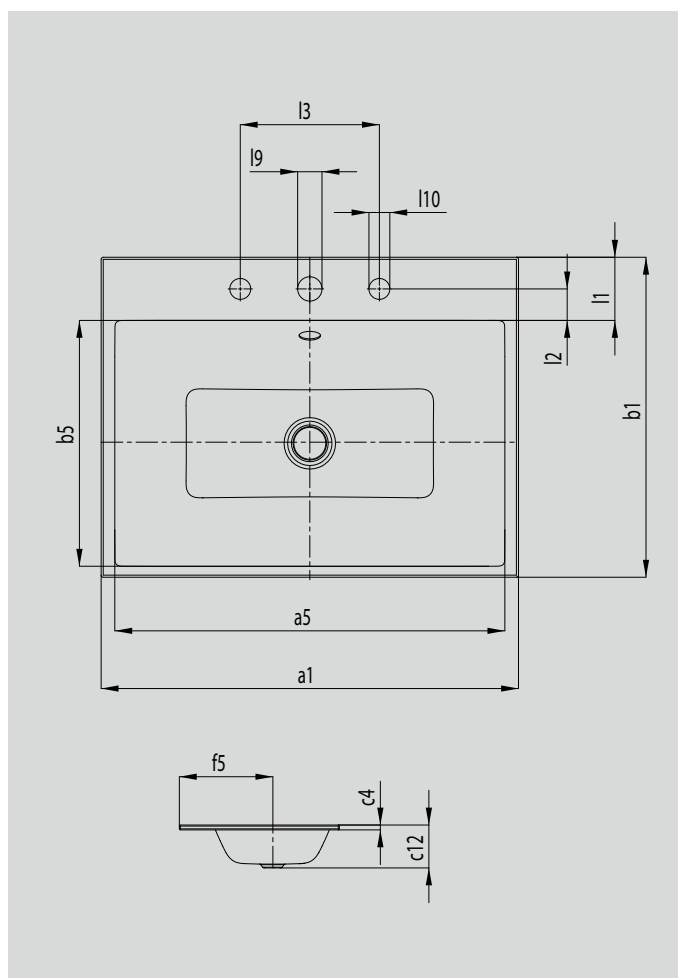


PURO BUILT-IN WASHBASIN

- elegant rectangular washbasin in a classically minimalist design
- reduced precise edges
- very generous interior dimensions
- clean and timeless lines – immortalised in long-lasting KALDEWEI steel enamel
- harmonises perfectly with the PURO bath series
- designed by Anke Salomon



Similar illustration



Model		3150	3151	3152	3169
External length	a_1	460	600	900	1200 mm
Internal length	a_5	421	561	860	1160 mm
External width	b_1	460	460	460	460 mm
Internal width	b_5	354	354	354	354 mm
Height of rim	c_4	14	14	14	14 mm
Distance basin surface to bottom edge of waste hole	c_{12}	115	125	125	125 mm
Distance rear edge to centre of waste hole	f_5	268	268	268	268 mm
Depth of tap deck	l_1	91	91	91	91 mm
Distance tap holes to edge	l_2	45	45	45	45 mm
Distance external tap holes (for 3 tap holes)	l_3	200	200	200	200 mm
Diameter of centre tap hole	l_9	Ø 35	Ø 35	Ø 35	Ø 35 mm
Diameter of outside tap hole (for 3 tap holes only)	l_{10}	Ø 30	Ø 30	Ø 30	Ø 30 mm
Net weight		6	7	10	15 kg



	Model	Dimensions	Colour price groups			GBP
	Order No.	mm	Alpine White (I)	Sanitary Colours (II, III)	Coord. Colours (IV)	
PURO BUILT-IN WASHBASIN with 1 x 1 tap hole with overflow fitting, easy-clean finish and sound insulation enamelled on both sides with overflow	3150 9000 0601 3xxx	460 x 460 x 14	346.00	449.00	449.00	
	3151 9001 0601 3xxx	600 x 460 x 14	455.00	591.00	591.00	
	3152 9002 0601 3xxx	900 x 460 x 14	656.00	852.00	852.00	
	3169 9071 0601 3xxx	1200 x 460 x 14	856.00	1,111.00	1,111.00	
without tap hole	xxxx 0600 xxxx		without extra charge	without extra charge	without extra charge	
1 x 3 tap holes	xxxx 0603 xxxx		without extra charge	without extra charge	without extra charge	
OPTIONAL: ACCESSORY ●¹		PRICE	(I)	(II), (III)	(IV)	
PUSH-TO-OPEN WASTE CHROME-PLATED BRASS with chrome cover	3915 9105 0001 0999	64.50				
DESIGNER BOTTLE TRAP	3908 9057 0000 0999	167.00				
BUILT-IN SOAP DISPENSER more information can be found on the accessory pages	3916 9106 0001 0999	129.00				

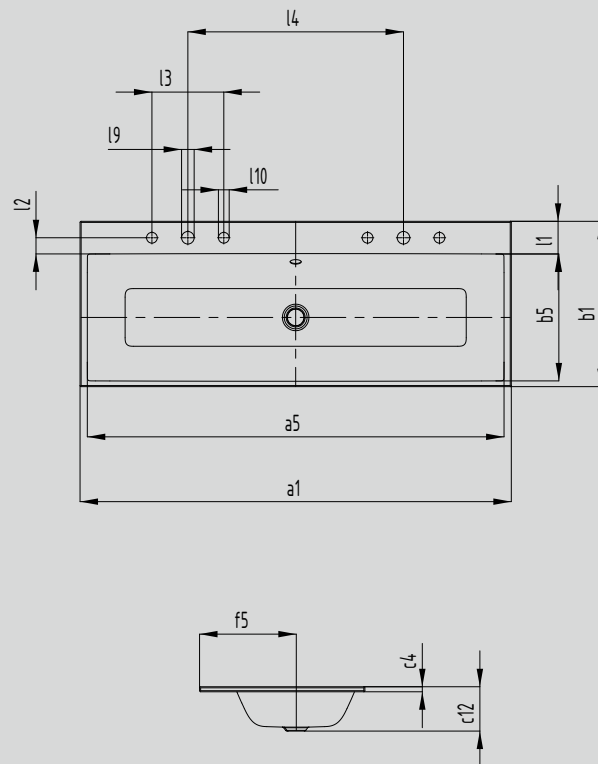


PURO BUILT-IN DOUBLE WASHBASIN

- elegant rectangular washbasin in a classically minimalist design
- reduced precise edges
- very generous interior dimensions
- clean and timeless lines – immortalised in long-lasting KALDEWEI steel enamel
- harmonises perfectly with the PURO bath series
- designed by Anke Salomon



Similar illustration



Model		3169
External length	a ₁	1200 mm
Internal length	a ₅	1160 mm
External width	b ₁	460 mm
Internal width	b ₅	354 mm
Height of rim	c ₄	14 mm
Distance basin surface to bottom edge of waste hole	c ₁₂	125 mm
Distance rear edge to centre of waste hole	f ₅	268 mm
Depth of tap deck	l ₁	91 mm
Distance tap holes to edge	l ₂	45 mm
Distance external tap holes (for 3 tap holes)	l ₃	200 mm
Distance between tap holes	l ₄	600 mm
Diameter of centre tap hole	l ₉	Ø 35 mm
Diameter of outside tap hole (for 3 tap holes only)	l ₁₀	Ø 30 mm
Net weight		15 kg



	Model	Dimensions	Colour price groups			GBP
	Order No.	mm	Alpine White (I)	Sanitary Colours (II, III)	Coord. Colours (IV)	
PURO BUILT-IN DOUBLE WASHBASIN with 2 x 1 tap holes with overflow fitting, easy-clean finish, sound insulation, enamelled on both sides with overflow	3169-D 9071 0604 3xxx	1200 x 460 x 14	856.00	1,111.00	1,111.00	
2 x 3 tap holes	xxxx 0605 xxxx		without extra charge	without extra charge	without extra charge	
OPTIONAL: ACCESSORY ●¹		PRICE	(I)	(II), (III)	(IV)	
PUSH-TO-OPEN WASTE CHROME-PLATED BRASS with chrome cover	3915 9105 0001 0999	64.50				
DESIGNER BOTTLE TRAP	3908 9057 0000 0999	167.00				
BUILT-IN SOAP DISPENSER more information can be found on the accessory pages	3916 9106 0001 0999	129.00				

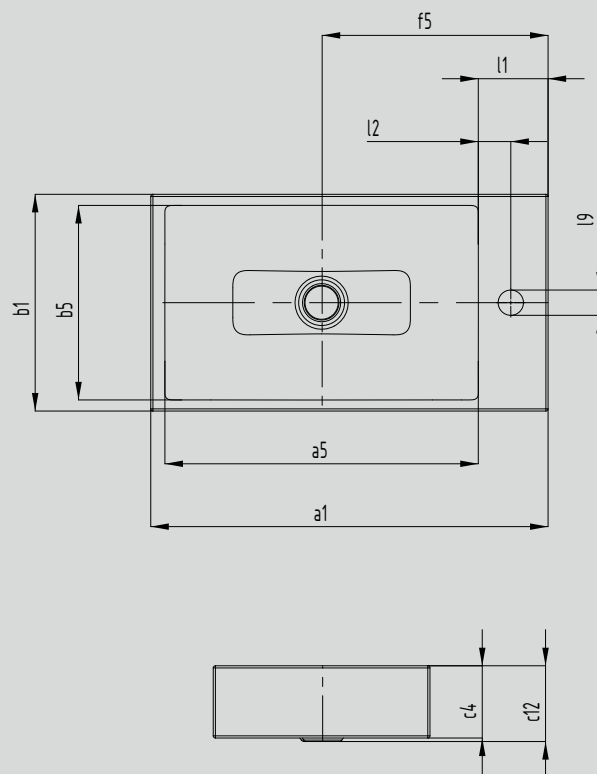


PURO COUNTERTOP HANDBASIN

- elegant rectangular washbasin in a classically minimalist design
- reduced precise edges
- very generous interior dimensions
- clean and timeless lines – immortalised in long-lasting KALDEWEI steel enamel
- harmonises perfectly with the PURO bath series
- designed by Anke Salomon



Similar illustration



Model		3166
External length	a_1	550 mm
Internal length	a_5	434 mm
External width	b_1	300 mm
Internal width	b_5	269 mm
Height of rim	c_4	100 mm
Distance basin surface to bottom edge of waste hole	c_{12}	105 mm
Distance rear edge to centre of waste hole	f_5	314 mm
Depth of tap deck	l_1	96 mm
Distance tap holes to edge	l_2	45 mm
Diameter of centre tap hole	l_9	Ø 35 mm
Net weight		8 kg

Subject to technical alterations, tolerances and errors. Similar illustration.



	Model	Dimensions	Colour price groups			GBP
	Order No.	mm	Alpine White (I)	Sanitary Colours (II, III)	Coord. Colours (IV)	
PURO COUNTERTOP HANDBASIN with 1 x 1 tap hole tap hole optionally left or right, easy-clean finish, sound insulation, enamelled on both sides with overflow	3166 9069 0601 3xxx	550 x 300 x 100	292.00	379.00	379.00	
without tap hole	xxxx 0600 xxxx		without extra charge	without extra charge	without extra charge	
OPTIONAL: ACCESSORY •¹						
CHROME-PLATED BRASS PERMANENT DRAIN VALVE with chrome cover	3917 9107 0001 0999	59.00				
DESIGNER BOTTLE TRAP	3908 9057 0000 0999	167.00				

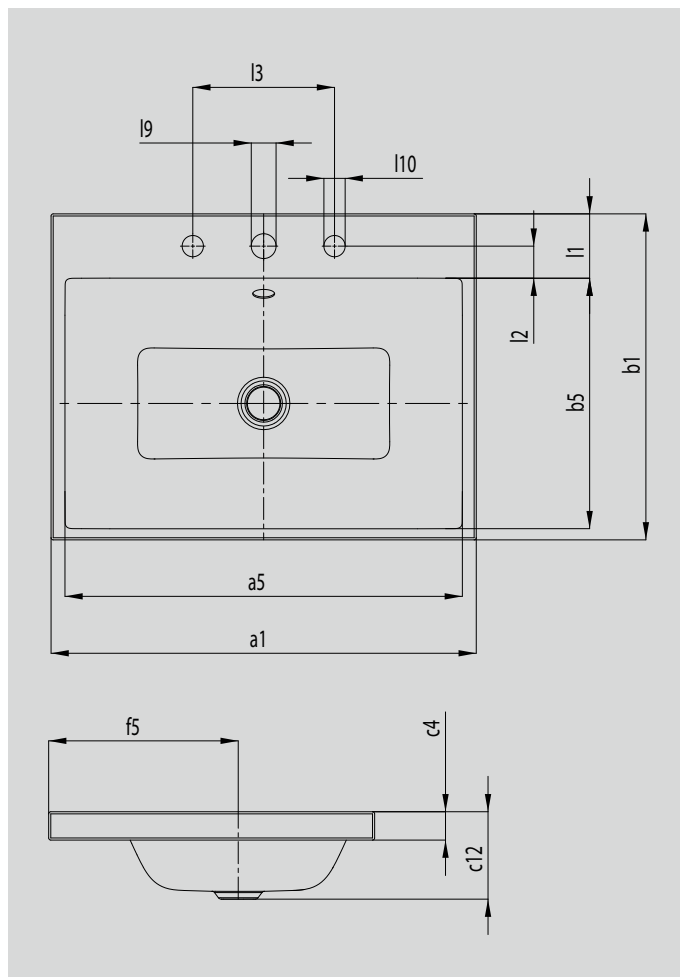


PURO INSET COUNTERTOP WASHBASIN

- elegant rectangular washbasin in a classically minimalist design
- reduced precise edges
- very generous interior dimensions
- clean and timeless lines – immortalised in long-lasting KALDEWEI steel enamel
- harmonises perfectly with the PURO bath series
- designed by Anke Salomon



Similar illustration



Model		3153	3154	3155
External length	a ₁	460	600	900 mm
Internal length	a ₅	421	561	860 mm
External width	b ₁	460	460	460 mm
Internal width	b ₅	354	354	354 mm
Height of rim	c ₄	40	40	40 mm
Distance basin surface to bottom edge of waste hole	c ₁₂	115	125	125 mm
Distance rear edge to centre of waste hole	f ₅	268	268	268 mm
Depth of tap deck	l ₁	91	91	91 mm
Distance tap holes to edge	l ₂	45	45	45 mm
Distance external tap holes (for 3 tap holes)	l ₃	200	200	200 mm
Diameter of centre tap hole	l ₉	Ø 35	Ø 35	Ø 35 mm
Diameter of outside tap hole (for 3 tap holes only)	l ₁₀	Ø 30	Ø 30	Ø 30 mm
Net weight		6	8	11 kg

Subject to technical alterations, tolerances and errors. Similar illustration.



	Model Order No.	Dimensions mm	Colour price groups			GBP
			Alpine White (I)	Sanitary Colours (II, III)	Coord. Colours (IV)	
PURO INSET COUNTERTOP WASHBASIN (HEIGHT OF RIM 40 MM) with 1 x 1 tap hole with overflow fitting, easy-clean finish and sound insulation enamelled on both sides with overflow	3153 9003 0601 3xxx	460 x 460 x 40	346.00	449.00	449.00	
	3154 9004 0601 3xxx	600 x 460 x 40	455.00	591.00	591.00	
	3155 9005 0601 3xxx	900 x 460 x 40	656.00	852.00	852.00	
without tap hole	xxxx 0600 xxxx		without extra charge	without extra charge	without extra charge	
1 x 3 tap holes	xxxx 0603 xxxx		without extra charge	without extra charge	without extra charge	
OPTIONAL: ACCESSORY ●¹		PRICE	(I)	(II), (III)	(IV)	
PUSH-TO-OPEN WASTE CHROME-PLATED BRASS with chrome cover	3915 9105 0001 0999	64.50				
DESIGNER BOTTLE TRAP	3908 9057 0000 0999	167.00				
BUILT-IN SOAP DISPENSER more information can be found on the accessory pages	3916 9106 0001 0999	129.00				



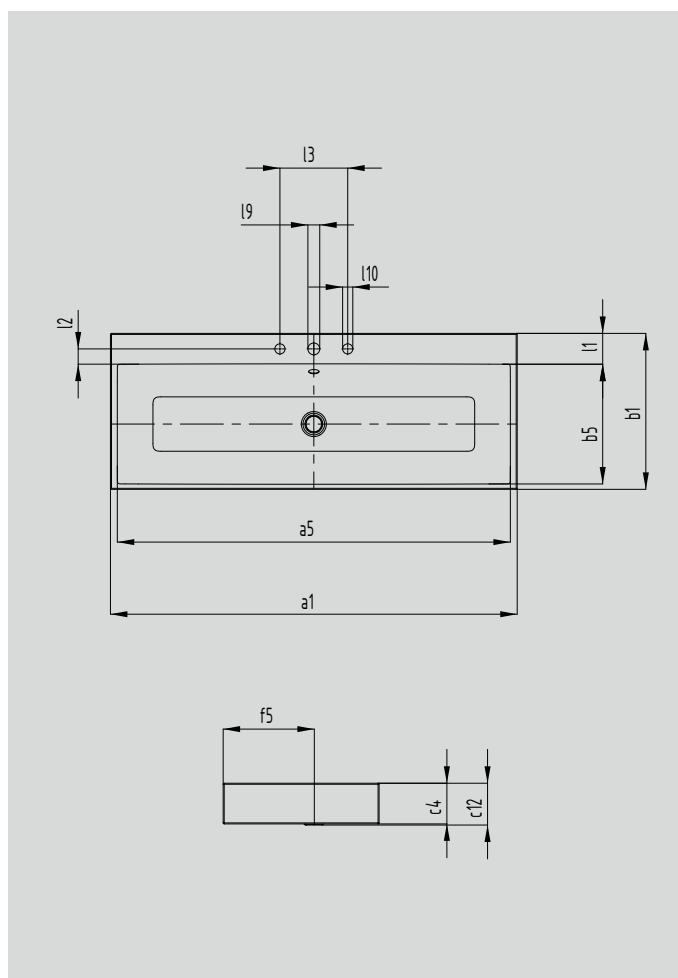
PURO INSET COUNTER-TOP WASHBASIN

(HEIGHT OF RIM 120 MM)

- elegant rectangular washbasin in a classically minimalist design
- reduced precise edges
- very generous interior dimensions
- clean and timeless lines - immortalised in long-lasting KALDEWEI steel enamel
- harmonises perfectly with the PURO bath series
- designed by Anke Salomon



Similar illustration



Model		3156	3157	3158	3168
External length	a_1	460	600	900	1200 mm
Internal length	a_5	421	561	860	1160 mm
External width	b_1	460	460	460	460 mm
Internal width	b_5	354	354	354	354 mm
Height of rim	c_4	120	120	120	120 mm
Distance basin surface to bottom edge of waste hole	c_{12}	115	125	125	125 mm
Distance rear edge to centre of waste hole	f_5	268	268	268	268 mm
Depth of tap deck	l_1	91	91	91	91 mm
Distance tap holes to edge	l_2	45	45	45	45 mm
Distance external tap holes (for 3 tap holes)	l_3	200	200	200	200 mm
Diameter of centre tap hole	l_9	Ø 35	Ø 35	Ø 35	Ø 35 mm
Diameter of outside tap hole (for 3 tap holes only)	l_{10}	Ø 30	Ø 30	Ø 30	Ø 30 mm
Net weight		11	13	17	23 kg



	Model	Dimensions	Colour price groups			GBP
	Order No.	mm	Alpine White (I)	Sanitary Colours (II, III)	Coord. Colours (IV)	
PURO COUNTERTOP WASHBASIN (RIM HEIGHT 120 MM) with 1 x 1 tap hole with overflow fitting, easy-clean finish, sound insulation enamelled on both sides with overflow	3156 9006 0601 3xxx	460 x 460 x 120	346.00	449.00	449.00	
	3157 9007 0601 3xxx	600 x 460 x 120	455.00	591.00	591.00	
	3158 9008 0601 3xxx	900 x 460 x 120	656.00	852.00	852.00	
	3168 9070 0601 3xxx	1200 x 460 x 120	856.00	1,111.00	1,111.00	
without tap hole	xxxx 0600 xxxx		without extra charge	without extra charge	without extra charge	
1 x 3 tap holes	xxxx 0603 xxxx		without extra charge	without extra charge	without extra charge	
OPTIONAL: ACCESSORY ●¹		PRICE	(I)	(II), (III)	(IV)	
PUSH-TO-OPEN WASTE CHROME-PLATED BRASS with chrome cover	3915 9105 0001 0999	64.50				
DESIGNER BOTTLE TRAP	3908 9057 0000 0999	167.00				
BUILT-IN SOAP DISPENSER more information can be found on the accessory pages	3916 9106 0001 0999	129.00				



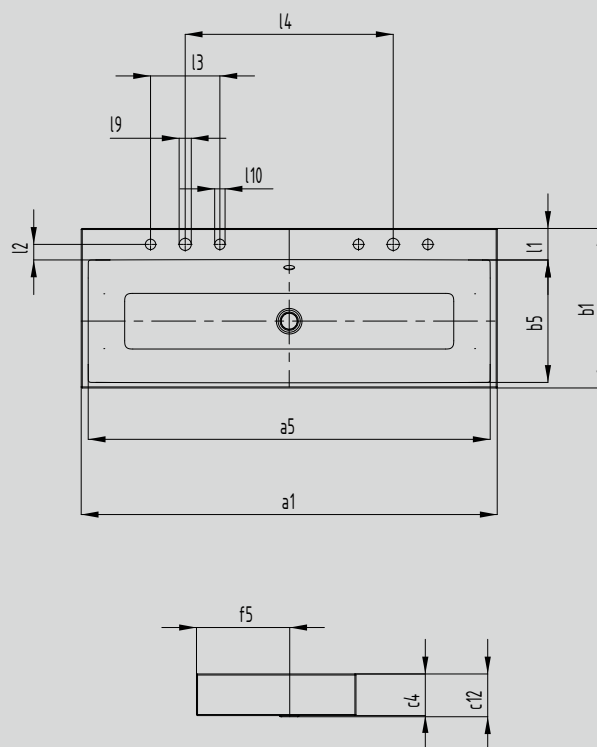
PURO COUNTERTOP DOUBLE WASHBASIN

(HEIGHT OF RIM 120 MM)

- elegant rectangular washbasin in a classically minimalist design
- reduced precise edges
- very generous interior dimensions
- clean and timeless lines - immortalised in long-lasting KALDEWEI steel enamel
- harmonises perfectly with the PURO bath series
- designed by Anke Salomon



Similar illustration



Model		3168
External length	a_1	1200 mm
Internal length	a_5	1160 mm
External width	b_1	460 mm
Internal width	b_5	354 mm
Height of rim	c_4	120 mm
Distance basin surface to bottom edge of waste hole	c_{12}	125 mm
Distance rear edge to centre of waste hole	f_5	268 mm
Depth of tap deck	l_1	91 mm
Distance tap holes to edge	l_2	45 mm
Distance external tap holes (for 3 tap holes)	l_3	200 mm
Distance between tap holes	l_4	600 mm
Diameter of centre tap hole	l_9	Ø 35 mm
Diameter of outside tap hole (for 3 tap holes only)	l_{10}	Ø 30 mm
Net weight		23 kg



	Model	Dimensions	Colour price groups			GBP
	Order No.	mm	Alpine White (I)	Sanitary Colours (II, III)	Coord. Colours (IV)	
PURO COUNTERTOP DOUBLE WASHBASIN (RIM HEIGHT 120 MM) with 2 x 1 tap hole with overflow fitting, easy-clean finish and sound insulation enamelled on both sides with overflow	3168-D 9070 0604 3xxx	1200 x 460 x 120	856.00	1,111.00	1,111.00	
2 x 3 tap holes	xxxx 0605 xxxx		without extra charge	without extra charge	without extra charge	
OPTIONAL: ACCESSORY ●¹		PRICE	(I)	(II), (III)	(IV)	
PUSH-TO-OPEN WASTE CHROME-PLATED BRASS with chrome cover	3915 9105 0001 0999	64.50				
DESIGNER BOTTLE TRAP	3908 9057 0000 0999	167.00				
BUILT-IN SOAP DISPENSER more information can be found on the accessory pages	3916 9106 0001 0999	129.00				



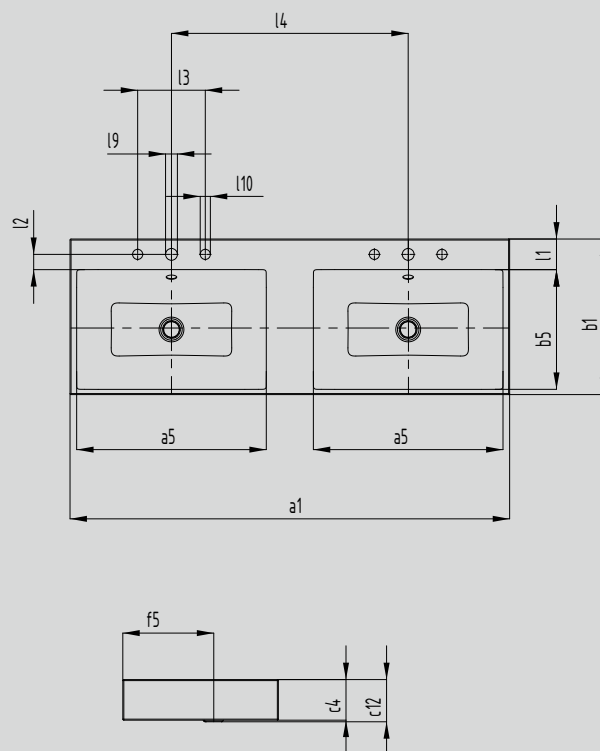
PURO COUNTERTOP DOUBLE WASHBASIN

(HEIGHT OF RIM 120 MM)

- elegant rectangular washbasin in a classically minimalist design
- reduced precise edges
- very generous interior dimensions
- clean and timeless lines - immortalised in long-lasting KALDEWEI steel enamel
- harmonises perfectly with the PURO bath series
- designed by Anke Salomon



Similar illustration



Model			3171
External length	a_1		1300 mm
Internal length	a_5		561 mm
External width	b_1		460 mm
Internal width	b_5		354 mm
Height of rim	c_4		120 mm
Distance basin surface to bottom edge of waste hole	c_{12}		125 mm
Distance rear edge to centre of waste hole	f_5		268 mm
Depth of tap deck	l_1		91 mm
Distance tap holes to edge	l_2		45 mm
Distance external tap holes (for 3 tap holes)	l_3		200 mm
Distance between tap holes	l_4		700 mm
Diameter of centre tap hole	l_9		Ø 35 mm
Diameter of outside tap hole (for 3 tap holes only)	l_{10}		Ø 30 mm
Net weight			25 kg



	Model	Dimensions	Colour price groups	GBP
	Order No.	mm		Alpine White (I)
PURO COUNTERTOP DOUBLE WASHBASIN (RIM HEIGHT 120 MM) with 2 x 1 tap hole with overflow fitting, easy-clean finish and sound insulation, enamelled on both sides with overflow	3171 9072 0604 3xxx	1300 x 460 x 120		1,001.00
without tap hole	xxxx 0600 xxxx			without extra charge
2 x 3 tap holes	xxxx 0605 xxxx			without extra charge
OPTIONAL: ACCESSORY ●¹		PRICE	(I)	
PUSH-TO-OPEN WASTE CHROME-PLATED BRASS with chrome cover	3915 9105 0001 0999		64.50	
DESIGNER BOTTLE TRAP	3908 9057 0000 0999		167.00	
BUILT-IN SOAP DISPENSER more information can be found on the accessory pages	3916 9106 0001 0999		129.00	

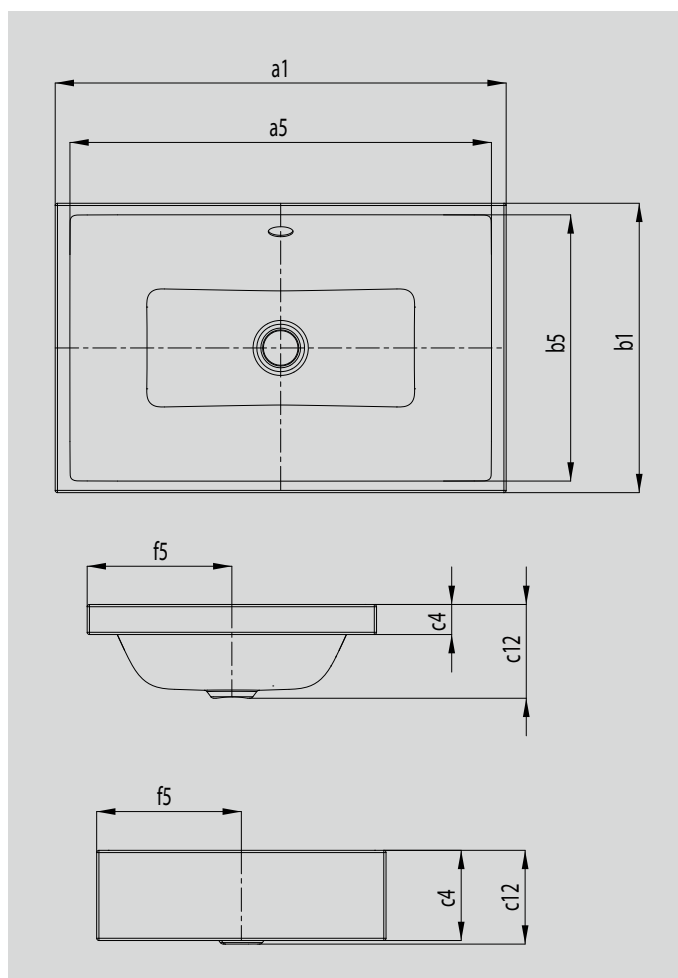


PURO S INSET COUNTERTOP WASHBASIN

- elegant rectangular washbasin in a classically minimalist design
- reduced precise edges
- very generous interior dimensions
- clean and timeless lines – immortalised in long-lasting KALDEWEI steel enamel
- harmonises perfectly with the PURO bath series
- designed by Anke Salomon



Similar illustration



Model		3173	3174
External length	a_1	600	900 mm
Internal length	a_5	561	860 mm
External width	b_1	385	385 mm
Internal width	b_5	354	354 mm
Height of rim	c_4	40	40 mm
Distance basin surface to bottom edge of waste hole	c_{12}	125	125 mm
Distance rear edge to centre of waste hole	f_5	193	193 mm
Net weight		8	12 kg



	Model Order No.	Dimensions mm	Colour price groups			GBP
			Alpine White (I)	Sanitary Colours (II, III)	Coord. Colours (IV)	
PURO S COUNTERTOP WASHBASIN (RIM HEIGHT 40 MM) with overflow fitting, easy-clean finish and sound insulation, enamelled on both sides with overflow	3173 908906003xxx	600 x 385 x 40	455.00	591.00	591.00	
	3174 909006003xxx	900 x 385 x 40	656.00	852.00	852.00	
OPTIONAL: ACCESSORY •¹		PRICE	(I)	(II), (III)	(IV)	
PUSH-TO-OPEN WASTE CHROME-PLATED BRASS with chrome cover	3915 910500010999	64.50				
DESIGNER BOTTLE TRAP	3908 905700000999	167.00				

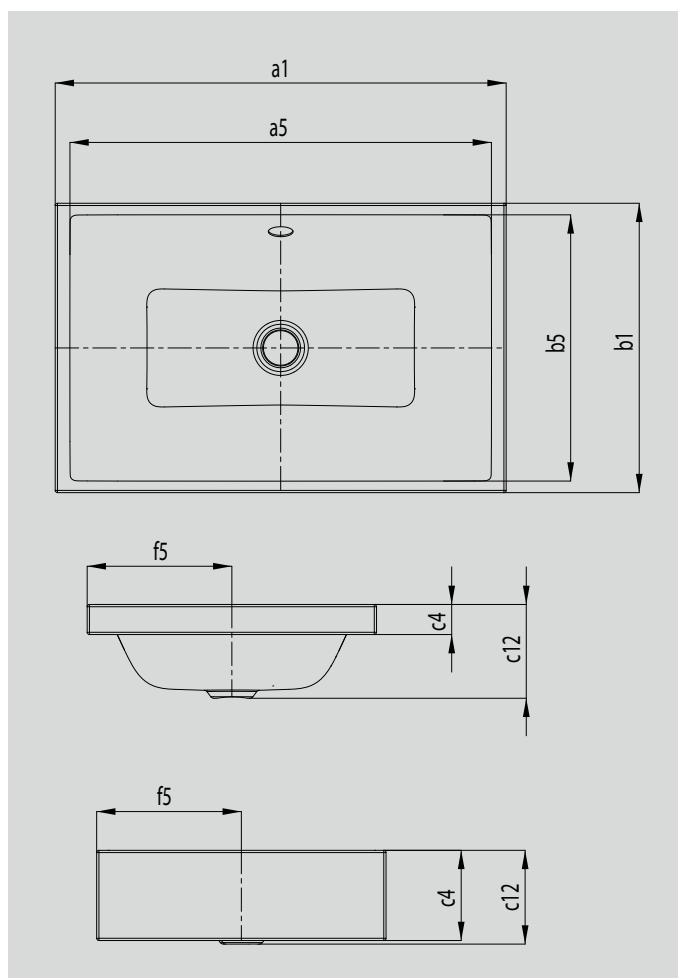


PURO S INSET COUNTERTOP WASHBASIN

- elegant rectangular washbasin in a classically minimalist design
- reduced precise edges
- very generous interior dimensions
- clean and timeless lines – immortalised in long-lasting KALDEWEI steel enamel
- harmonises perfectly with the PURO bath series
- designed by Anke Salomon



Similar illustration



Model		3175	3176
External length	a_1	600	900 mm
Internal length	a_5	561	860 mm
External width	b_1	385	385 mm
Internal width	b_5	354	354 mm
Height of rim	c_4	120	120 mm
Distance basin surface to bottom edge of waste hole	c_{12}	125	125 mm
Distance rear edge to centre of waste hole	f_5	193	193 mm
Net weight		12	16 kg



	Model Order No.	Dimensions mm	Colour price groups			GBP
			Alpine White (I)	Sanitary Colours (II, III)	Coord. Colours (IV)	
PURO S COUNTERTOP WASHBASIN (RIM HEIGHT 120 MM) with overflow fitting, easy-clean finish and sound insulation, enamelled on both sides with overflow	3175 909106003xxx	600 x 385 x 120	455.00	591.00	591.00	
	3176 909206003xxx	900 x 385 x 120	656.00	852.00	852.00	
OPTIONAL: ACCESSORY •¹		PRICE	(I)	(II), (III)	(IV)	
PUSH-TO-OPEN WASTE CHROME-PLATED BRASS with chrome cover	3915 910500010999	64.50				
DESIGNER BOTTLE TRAP	3908 905700000999	167.00				

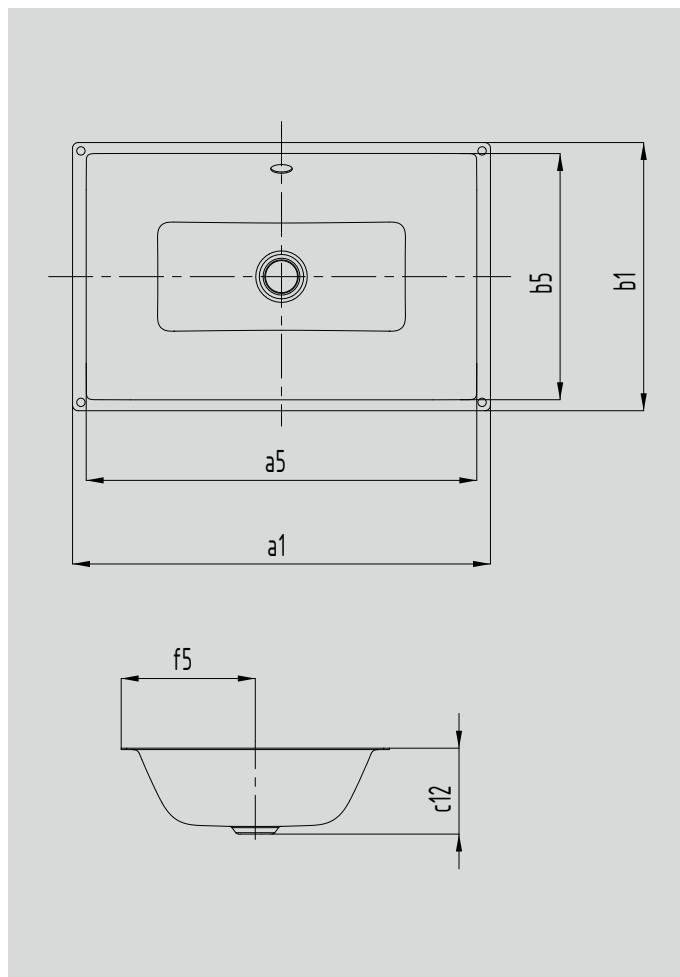


PURO UNDERCOUNTER WASHBASIN

- elegant rectangular washbasin in a classically minimalist design
- reduced precise edges
- very generous interior dimensions
- clean and timeless lines – immortalised in long-lasting KALDEWEI steel enamel
- harmonises perfectly with the PURO bath series
- designed by Anke Salomon



Similar illustration



Model		3159	3160	3161
External length	a_1	460	600	900 mm
Internal length	a_5	421	561	860 mm
External width	b_1	385	385	385 mm
Internal width	b_5	354	354	354 mm
Distance basin surface to bottom edge of waste hole	c_{12}	115	125	125 mm
Distance rear edge to centre of waste hole	f_5	193	193	193 mm
Net weight		5	6	9 kg

Subject to technical alterations, tolerances and errors. Similar illustration.



	Model	Dimensions	Colour price groups			GBP
	Order No.	mm	Alpine White (I)	Sanitary Colours (II, III)	Coord. Colours (IV)	
PURO UNDERCOUNTER WASHBASIN with overflow fitting, easy-clean finish and sound insulation enamelled on both sides with overflow	3159 9009 0600 3xxx	460 x 385	328.00	427.00	427.00	
	3160 9010 0600 3xxx	600 x 385	433.00	563.00	563.00	
	3161 9011 0600 3xxx	900 x 385	623.00	809.00	809.00	
OPTIONAL: ACCESSORY ●¹		PRICE	(I)	(II), (III)	(IV)	
PUSH-TO-OPEN WASTE CHROME-PLATED BRASS with chrome cover	3915 9105 0001 0999	64.50				
DESIGNER BOTTLE TRAP	3908 9057 0000 0999	167.00				

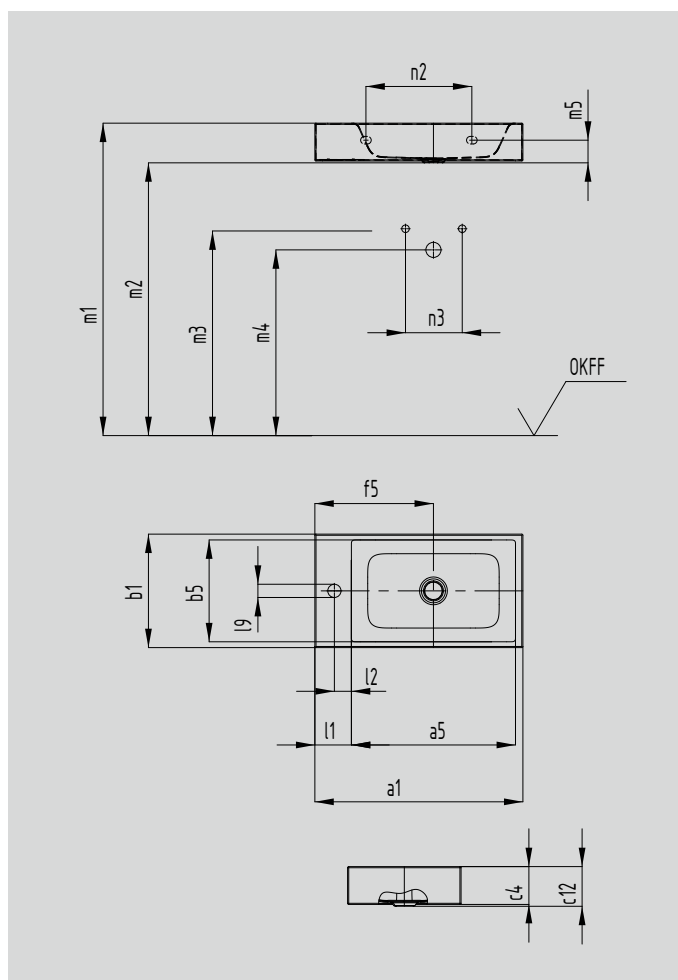


PURO WALL-HUNG HANDBASIN

- elegant rectangular washbasin in a classically minimalist design
- reduced precise edges
- very generous interior dimensions
- clean and timeless lines – immortalised in long-lasting KALDEWEI steel enamel
- harmonises perfectly with the PURO bath series
- designed by Anke Salomon



Similar illustration



Model		3162
External length	a_1	550 mm
Internal length	a_5	434 mm
External width	b_1	300 mm
Internal width	b_5	269 mm
Height of rim	c_4	100 mm
Distance basin surface to bottom edge of waste hole	c_{12}	105 mm
Distance rear edge to centre of waste hole	f_5	314 mm
Depth of tap deck	l_1	97 mm
Distance tap holes to edge	l_2	45 mm
Diameter of centre tap hole	l_9	Ø 35 mm
Distance FF to top edge basin surface	m_1	820 - 850 mm
Distance FF to bottom edge	m_2	720 - 750 mm
Distance FF to centre of water inlet	m_3	570 - 600 mm
Distance FF to centre of waste hole wall connection	m_4	520 - 580 mm
Distance bottom edge to centre of fixing hole	m_5	65 mm
Internal distance of fixing holes	n_2	280 mm
Distance hot/cold water inlet	n_3	80 - 150 mm
Net weight		8 kg



	Model	Dimensions	Colour price groups			GBP
	Order No.	mm	Alpine White (I)	Sanitary Colours (II, III)	Coord. Colours (IV)	
PURO WALL-HUNG HAND WASHBASIN tap hole right with 1 x 1 tap hole with overflow fitting, easy-clean finish, sound insulation and sound insulation tape enamelled on both sides without overflow	3162 9012 0630 3xxx	550 x 300 x 100	292.00	379.00	379.00	
without tap hole, without overflow	xxxx 0631 xxxx		without extra charge	without extra charge	without extra charge	
tap hole ledge left, with 1 x 1 tap hole	xxxx 0639 xxxx		without extra charge	without extra charge	without extra charge	
tap hole ledge left, without tap hole	xxxx 0643 xxxx		without extra charge	without extra charge	without extra charge	
OPTIONAL: ACCESSORY ●¹		PRICE	(I)	(II), (III)	(IV)	
CHROME-PLATED BRASS PERMANENT DRAIN VALVE with chrome cover	3917 9107 0001 0999	59.00				
DESIGNER BOTTLE TRAP	3908 9057 0000 0999	167.00				

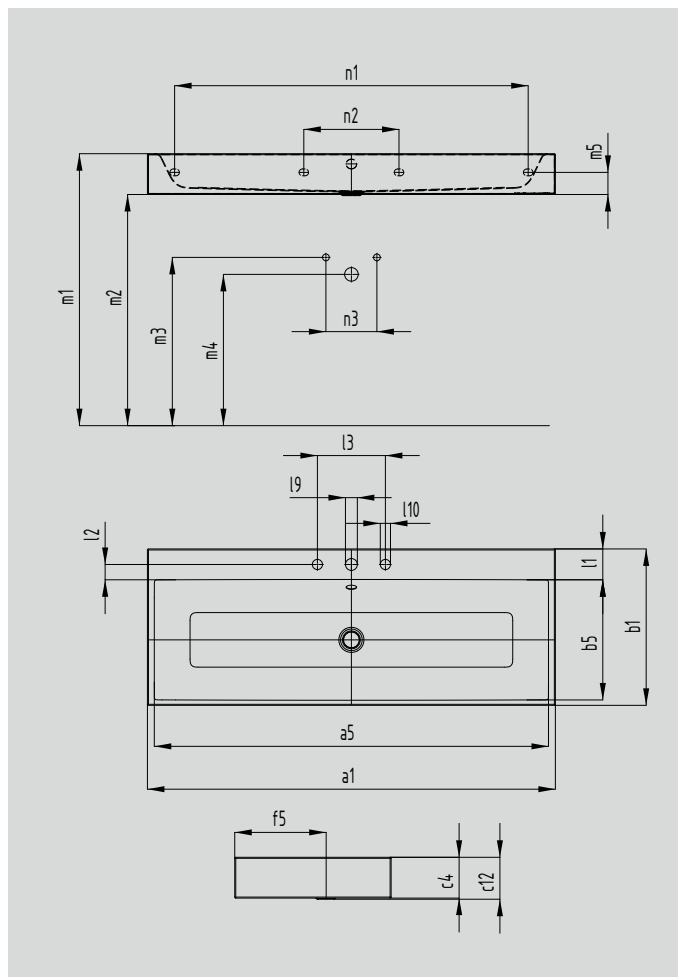


PURO WALL-HUNG WASHBASIN

- elegant rectangular washbasin in a classically minimalist design
- reduced precise edges
- very generous interior dimensions
- clean and timeless lines – immortalised in long-lasting KALDEWEI steel enamel
- harmonises perfectly with the PURO bath series
- designed by Anke Salomon



Similar illustration



Model		3163	3164	3165	3167
External length	a ₁	460	600	900	1200 mm
Internal length	a ₅	420	560	860	1160 mm
External width	b ₁	460	460	460	460 mm
Internal width	b ₅	345	345	345	354 mm
Height of rim	c ₄	120	120	120	120 mm
Distance basin surface to bottom edge of waste hole	c ₁₂	115	125	125	125 mm
Distance rear edge to centre of waste hole	f ₅	268	268	268	268 mm
Depth of tap deck	l ₁	91	91	91	91 mm
Distance tap holes to edge	l ₂	45	45	45	45 mm
Distance external tap holes (for 3 tap holes)	l ₃	200	200	200	200 mm
Diameter of centre tap hole	l ₉	Ø 35	Ø 35	Ø 35	Ø 35 mm
Diameter of outside tap hole (for 3 tap holes only)	l ₁₀	Ø 30	Ø 30	Ø 30	Ø 30 mm
Distance FF to top edge basin surface	m ₁	820 - 850	820 - 850	820 - 850	820 - 850 mm
Distance FF to bottom edge	m ₂	700 - 730	700 - 730	700 - 730	700 - 730 mm
Distance FF to centre of water inlet	m ₃	570 - 600	570 - 600	570 - 600	570 - 600 mm
Distance FF to centre of waste hole wall connection	m ₄	520 - 580	520 - 580	520 - 580	520 - 580 mm
Distance bottom edge to centre of fixing hole	m ₅	65	65	65	65 mm
External distance of fixing holes	n ₁			780	1040 mm
Internal distance of fixing holes	n ₂	280	280	280	280 mm
Distance hot/cold water inlet	n ₃	80 - 150	80 - 150	80 - 150	80 - 150 mm
Net weight		11	13	17	23 kg



	Model Order No.	Dimensions mm	Colour price groups			GBP
			Alpine White (I)	Sanitary Colours (II, III)	Coord. Colours (IV)	
PURO WALL-HUNG WASHBASIN with 1 x 1 tap hole with overflow fitting, easy-clean finish and sound insulation enamelled on both sides with overflow	3163 90130 6013 xxx	460 x 460 x 120	346.00	449.00	449.00	
	3164 90140 6013 xxx	600 x 460 x 120	455.00	591.00	591.00	
	3165 90150 6013 xxx	900 x 460 x 120	656.00	852.00	852.00	
	3167 90680 6013 xxx	1200 x 460 x 120	856.00	1,111.00	1,111.00	
without tap hole	xxxx 0600 xxxx		without extra charge	without extra charge	without extra charge	
1 x 3 tap holes	xxxx 0603 xxxx		without extra charge	without extra charge	without extra charge	
OPTIONAL: ACCESSORY ●¹		PRICE	(I)	(II), (III)	(IV)	
PUSH-TO-OPEN WASTE CHROME-PLATED BRASS with chrome cover	3915 91050 0010 999	64.50				
DESIGNER BOTTLE TRAP	3908 90570 0000 999	167.00				
BUILT-IN SOAP DISPENSER more information can be found on the accessory pages	3916 91060 0010 999	129.00				

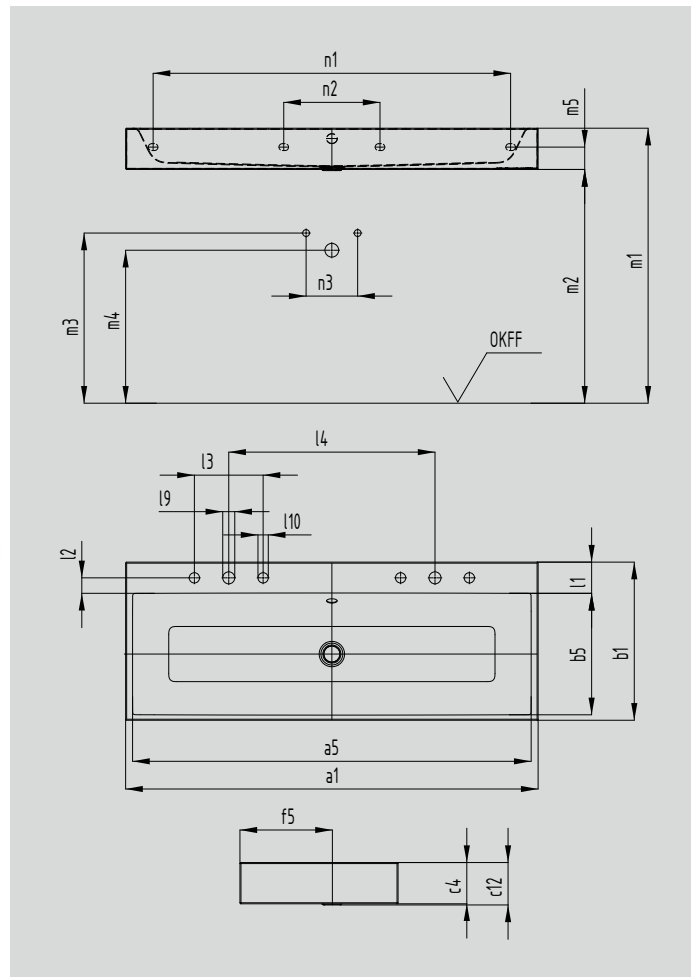


PURO WALL-HUNG DOUBLE WASHBASIN

- elegant rectangular washbasin in a classically minimalist design
- reduced precise edges
- very generous interior dimensions
- clean and timeless lines – immortalised in long-lasting KALDEWEI steel enamel
- harmonises perfectly with the PURO bath series
- designed by Anke Salomon



Similar illustration



Model		3167
External length	a_1	1200 mm
Internal length	a_5	1160 mm
External width	b_1	460 mm
Internal width	b_5	354 mm
Height of rim	c_1	120 mm
Distance basin surface to bottom edge of waste hole	c_{12}	125 mm
Distance rear edge to centre of waste hole	f_5	268 mm
Depth of tap deck	l_1	91 mm
Distance tap holes to edge	l_2	45 mm
Distance external tap holes (for 3 tap holes)	l_3	200 mm
Distance between tap holes	l_4	600 mm
Diameter of centre tap hole	l_9	Ø 35 mm
Diameter of outside tap hole (for 3 tap holes only)	l_{10}	Ø 30 mm
Distance FF to top edge basin surface	m_1	820 - 850 mm
Distance FF to bottom edge	m_2	700 - 730 mm
Distance FF to centre of water inlet	m_3	570 - 600 mm
Distance FF to centre of waste hole wall connection	m_4	520 - 580 mm
Distance bottom edge to centre of fixing hole	m_5	65 mm
External distance of fixing holes	n_1	1040 mm
Internal distance of fixing holes	n_2	280 mm
Distance hot/cold water inlet	n_3	80 - 150 mm
Net weight		23 kg



	Model	Dimensions	Colour price groups			GBP
	Order No.	mm	Alpine White (I)	Sanitary Colours (II, III)	Coord. Colours (IV)	
PURO WALL-HUNG DOUBLE WASHBASIN with 2 x 1 tap hole with easy-clean finish, sound insulation and connection sound insulation tape enamelled on both sides with overflow	3167-D 9068 06043 xxx	1200 x 460 x 120	856.00	1,111.00	1,111.00	
2 x 3 tap holes	xxxx 0605 xxxx		without extra charge	without extra charge	without extra charge	
OPTIONAL: ACCESSORY ●¹		PRICE	(I)	(II), (III)	(IV)	
PUSH-TO-OPEN WASTE CHROME-PLATED BRASS with chrome cover	3915 9105 00010 999	64.50				
DESIGNER BOTTLE TRAP	3908 9057 0000 0999	167.00				
BUILT-IN SOAP DISPENSER more information can be found on the accessory pages	3916 9106 00010 999	129.00				

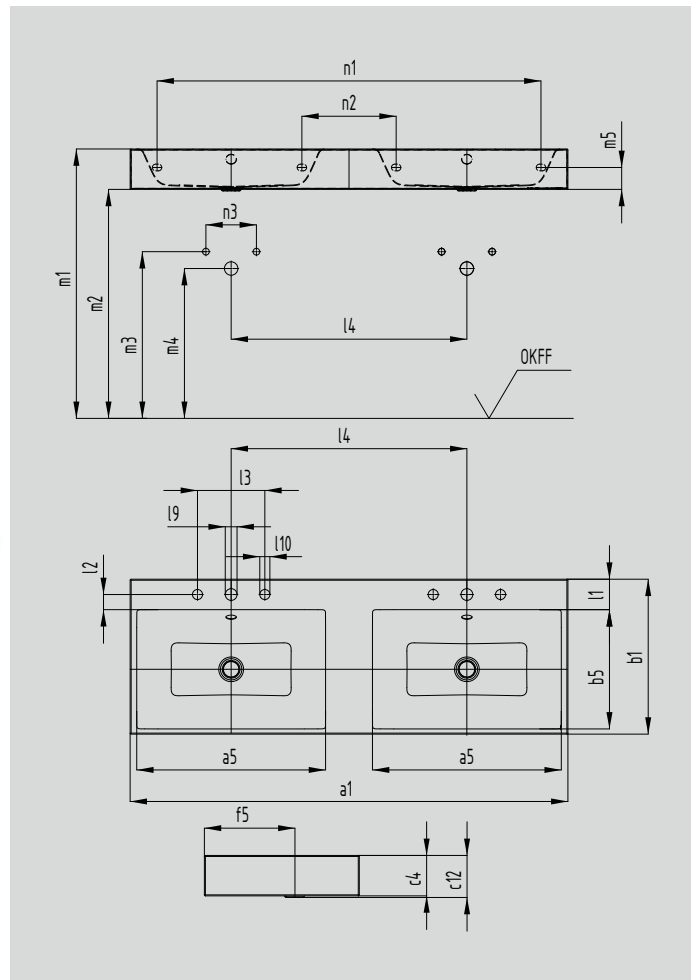


PURO WALL-HUNG DOUBLE WASHBASIN

- elegant rectangular washbasin in a classically minimalist design
- reduced precise edges
- very generous interior dimensions
- clean and timeless lines - immortalised in long-lasting KALDEWEI steel enamel
- harmonises perfectly with the PURO bath series
- designed by Anke Salomon



Similar illustration



Model		3170
External length	a_1	1300 mm
Internal length	a_5	560 mm
External width	b_1	460 mm
Internal width	b_5	354 mm
Height of rim	c_3	120 mm
Distance basin surface to bottom edge of waste hole	c_{12}	125 mm
Distance rear edge to centre of waste hole	f_5	268 mm
Depth of tap deck	l_1	91 mm
Distance tap holes to edge	l_2	45 mm
Distance external tap holes (for 3 tap holes)	l_3	200 mm
Distance between tap holes	l_4	700 mm
Diameter of centre tap hole	l_9	Ø 35 mm
Diameter of outside tap hole (for 3 tap holes only)	l_{10}	Ø 30 mm
Distance FF to top edge basin surface	m_1	820 - 850 mm
Distance FF to bottom edge	m_2	700 - 730 mm
Distance FF to centre of water inlet	m_3	570 - 600 mm
Distance FF to centre of waste hole wall connection	m_4	520 - 580 mm
Distance bottom edge to centre of fixing hole	m_5	65 mm
External distance of fixing holes	n_1	1140 mm
Internal distance of fixing holes	n_2	280 mm
Distance hot/cold water inlet	n_3	80 - 150 mm
Net weight		25 kg



	Model Order No.	Dimensions mm	Colour price groups Alpine White (I)	GBP
PURO WALL-HUNG DOUBLE WASHBASIN with 2 x 1 tap hole with easy-clean finish, sound insulation and connection sound insulation tape enamelled on both sides with overflow	3170 9067 0604 3xxx	1300 x 460 x 120		1,001.00
without tap hole	xxxx 0600 xxxx			without extra charge
2 x 3 tap holes	xxxx 0605 xxxx			without extra charge
OPTIONAL: ACCESSORY ●¹		PRICE	(I)	
PUSH-TO-OPEN WASTE CHROME-PLATED BRASS with chrome cover	3915 9105 0001 0999			64.50
DESIGNER BOTTLE TRAP	3908 9057 0000 0999			167.00
BUILT-IN SOAP DISPENSER more information can be found on the accessory pages	3916 9106 0001 0999			129.00

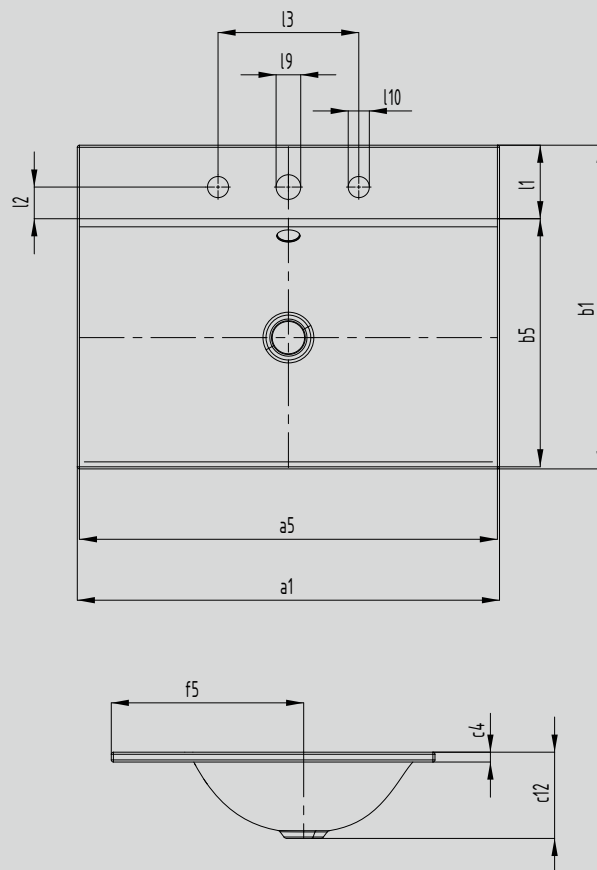


SILENIO BUILT-IN WASHBASIN

- fluid and sensually modern design all at once
- optimum comfort through generous dimensioning of the washbasin
- soft, organic interior shape
- geometry allows fittings with short spout leaving ample space for washing
- together with the SILENIO bath and SCONA shower surface, they form a perfect bathroom fitted out entirely with steel enamel
- designed by Anke Salomon



Similar illustration



Model		3037	3038	3039
External length	a_1	600	900	1200 mm
Internal length	a_5	594	894	1194 mm
External width	b_1	460	460	460 mm
Internal width	b_5	353	353	353 mm
Height of rim	c_4	14	14	14 mm
Distance basin surface to bottom edge of waste hole	c_{12}	123	123	123 mm
Distance rear edge to centre of waste hole	f_5	274	274	274 mm
Depth of tap deck	l_1	105	105	105 mm
Distance tap holes to edge	l_2	45	45	45 mm
Distance external tap holes (for 3 tap holes)	l_3	200	200	200 mm
Diameter of centre tap hole	l_9	Ø 35	Ø 35	Ø 35 mm
Diameter of outside tap hole (for 3 tap holes only)	l_{10}	Ø 30	Ø 30	Ø 30 mm
Net weight		7	10	14 kg



	Model	Dimensions	Colour price groups			GBP
	Order No.	mm	Alpine White (I)	Sanitary Colours (II, III)	Coord. Colours (IV)	
SILENIO BUILT-IN WASHBASIN with overflow with 1 x 1 tap hole with overflow fitting, easy-clean finish, sound insulation enamelled on both sides	3037 9077706013xxx	600 x 460 x 14	563.00	733.00	733.00	
	3038 907806013xxx	900 x 460 x 14	772.00	1,005.00	1,005.00	
	3039 907906013xxx	1200 x 460 x 14	915.00	1,191.00	1,191.00	
without tap hole	xxxx0600xxxx		without extra charge	without extra charge	without extra charge	
1 x 3 tap holes	xxxx0603xxxx		without extra charge	without extra charge	without extra charge	
without overflow, with 1 x 1 tap hole	xxxx0630xxxx		without extra charge	without extra charge	without extra charge	
without tap hole, without overflow	xxxx0631xxxx		without extra charge	without extra charge	without extra charge	
without overflow, with 1 x 3 tap holes	xxxx0627xxxx		without extra charge	without extra charge	without extra charge	
OPTIONAL: ACCESSORY ●¹		PRICE	(I)	(II), (III)	(IV)	
PUSH-TO-OPEN WASTE CHROME-PLATED BRASS with chrome cover	3915 910500010999	64.50				
CHROME-PLATED BRASS PERMANENT DRAIN VALVE with chrome cover	3917 910700010999	59.00				
CLOU WASTE AND OVERFLOW SYSTEM FOR LEVER OPERATED POP-UP WASTE round, with chrome cover	3909 906600000999	98.00				
DESIGNER BOTTLE TRAP	3908 905700000999	167.00				
BUILT-IN SOAP DISPENSER more information can be found on the accessory pages	3916 910600010999	129.00				

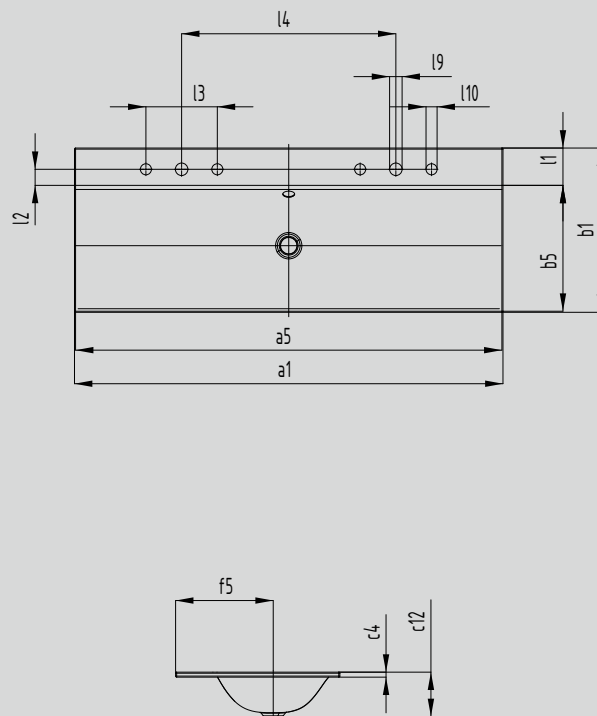


SILENIO BUILT-IN DOUBLE WASHBASIN

- fluid and sensually modern design all at once
- optimum comfort through generous dimensioning of the washbasin
- soft, organic interior shape
- geometry allows fittings with short spout leaving ample space for washing
- together with the SILENIO bath and SCONA shower surface, they form a perfect bathroom fitted out entirely with steel enamel
- designed by Anke Salomon



Similar illustration



Model		3039
External length	a_1	1200 mm
Internal length	a_5	1194 mm
External width	b_1	460 mm
Internal width	b_5	353 mm
Height of rim	c_4	14 mm
Distance basin surface to bottom edge of waste hole	c_{12}	123 mm
Distance rear edge to centre of waste hole	f_5	274 mm
Depth of tap deck	l_1	105 mm
Distance tap holes to edge	l_2	45 mm
Distance external tap holes (for 3 tap holes)	l_3	200 mm
Distance between tap holes	l_4	600 mm
Diameter of centre tap hole	l_9	Ø 35 mm
Diameter of outside tap hole (for 3 tap holes only)	l_{10}	Ø 30 mm
Net weight		14 kg



	Model	Dimensions	Colour price groups			GBP
	Order No.	mm	Alpine White (I)	Sanitary Colours (II, III)	Coord. Colours (IV)	
SILENIO BUILT-IN DOUBLE WASHBASIN with overflow with 2 x 1 tap hole with overflow fitting, easy-clean finish, sound insulation enamelled on both sides	3039-D 9079 0604 3xxx	1200 x 460 x 14	915.00	1,191.00	1,191.00	
2 x 3 tap holes	xxxx 0605 xxxx		without extra charge	without extra charge	without extra charge	
without overflow, with 2 x 1 tap hole	xxxx 0636 xxxx		without extra charge	without extra charge	without extra charge	
without overflow, with 2 x 3 tap holes	xxxx 0637 xxxx		without extra charge	without extra charge	without extra charge	
OPTIONAL: ACCESSORY •¹		PRICE	(I)	(II), (III)	(IV)	
PUSH-TO-OPEN WASTE CHROME-PLATED BRASS with chrome cover	3915 9105 0001 0999	64.50				
CHROME-PLATED BRASS PERMANENT DRAIN VALVE with chrome cover	3917 9107 0001 0999	59.00				
CLOU WASTE AND OVERFLOW SYSTEM FOR LEVER OPERATED POP-UP WASTE round, with chrome cover	3909 9066 0000 0999	98.00				
DESIGNER BOTTLE TRAP	3908 9057 0000 0999	167.00				
BUILT-IN SOAP DISPENSER more information can be found on the accessory pages	3916 9106 0001 0999	129.00				

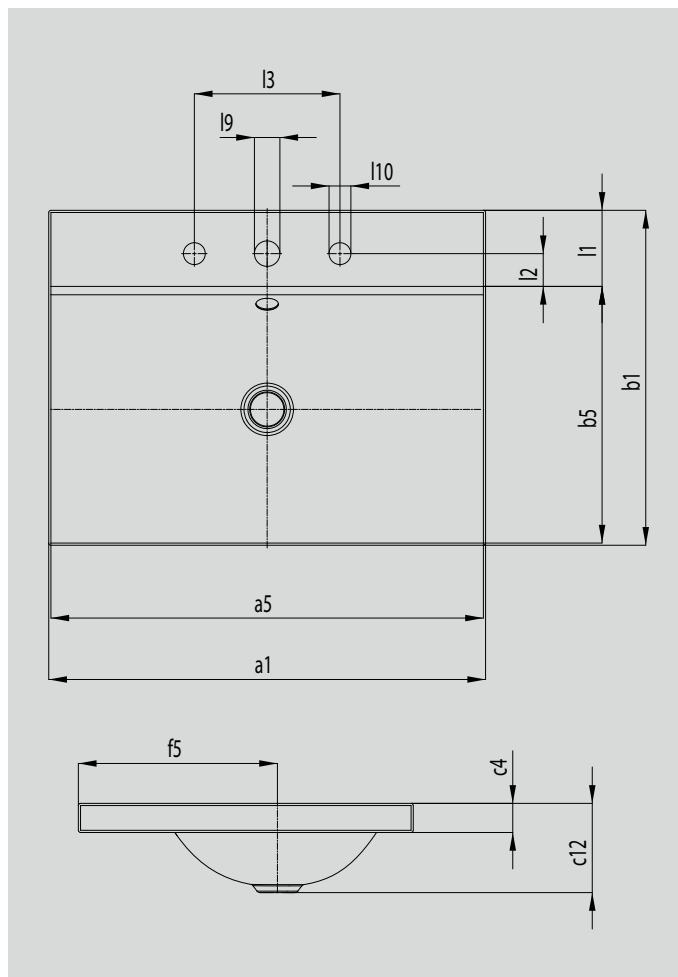


SILENIO INSET COUNTERTOP WASHBASIN

- fluid and sensually modern design all at once
- optimum comfort through generous dimensioning of the washbasin
- soft, organic interior shape
- geometry allows fittings with short spout leaving ample space for washing
- together with the SILENIO bath and SCONA shower surface, they form a perfect bathroom fitted out entirely with steel enamel
- designed by Anke Salomon



Similar illustration



Model		3040	3041
External length	a_1	600	900 mm
Internal length	a_5	594	894 mm
External width	b_1	460	460 mm
Internal width	b_5	353	353 mm
Height of rim	c_4	40	40 mm
Distance basin surface to bottom edge of waste hole	c_{12}	123	123 mm
Distance rear edge to centre of waste hole	f_5	273	273 mm
Depth of tap deck	l_1	105	105 mm
Distance tap holes to edge	l_2	45	45 mm
Distance external tap holes (for 3 tap holes)	l_3	200	200 mm
Diameter of centre tap hole	l_9	Ø 35	Ø 35 mm
Diameter of outside tap hole (for 3 tap holes only)	l_{10}	Ø 30	Ø 30 mm
Net weight		8	11 kg



	Model	Dimensions	Colour price groups			GBP
	Order No.	mm	Alpine White (I)	Sanitary Colours (II, III)	Coord. Colours (IV)	
SILENIO INSET COUNTERTOP WASHBASIN (HEIGHT OF RIM 40 MM) with overflow with 1 x 1 tap hole with overflow fitting, easy-clean finish and sound insulation enamelled on both sides	3040 9039 0601 3xxx	600 x 460 x 40	563.00	733.00	733.00	
	3041 9040 0601 3xxx	900 x 460 x 40	772.00	1,005.00	1,005.00	
without tap hole	xxxx 0600 xxxx		without extra charge	without extra charge	without extra charge	
1 x 3 tap holes	xxxx 0603 xxxx		without extra charge	without extra charge	without extra charge	
without overflow, with 1 x 1 tap hole	xxxx 0630 xxxx		without extra charge	without extra charge	without extra charge	
without tap hole, without overflow	xxxx 0631 xxxx		without extra charge	without extra charge	without extra charge	
without overflow, with 1 x 3 tap holes	xxxx 0627 xxxx		without extra charge	without extra charge	without extra charge	
OPTIONAL: ACCESSORY ●¹		PRICE	(I)	(II), (III)	(IV)	
PUSH-TO-OPEN WASTE CHROME-PLATED BRASS with chrome cover	3915 9105 0001 0999	64.50				
CHROME-PLATED BRASS PERMANENT DRAIN VALVE with chrome cover	3917 9107 0001 0999	59.00				
DESIGNER BOTTLE TRAP	3908 9057 0000 0999	167.00				
BUILT-IN SOAP DISPENSER more information can be found on the accessory pages	3916 9106 0001 0999	129.00				

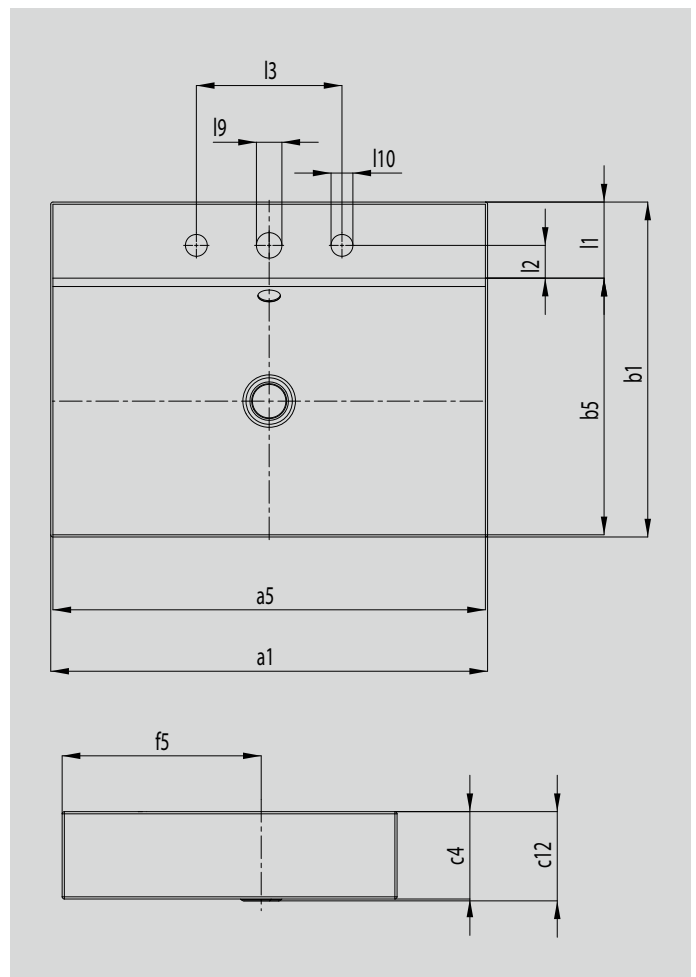


SILENIO INSET COUNTERTOP WASHBASIN

- fluid and sensually modern design all at once
- optimum comfort through generous dimensioning of the washbasin
- soft, organic interior shape
- geometry allows fittings with short spout leaving ample space for washing
- together with the SILENIO bath and SCONA shower surface, they form a perfect bathroom fitted out entirely with steel enamel
- designed by Anke Salomon



Similar illustration



Model		3042	3043	3049
External length	a_1	600	900	1200 mm
Internal length	a_5	594	894	1194 mm
External width	b_1	460	460	460 mm
Internal width	b_5	353	353	353 mm
Height of rim	c_4	120	120	120 mm
Distance basin surface to bottom edge of waste hole	c_{12}	123	123	123 mm
Distance rear edge to centre of waste hole	f_5	273	273	273 mm
Depth of tap deck	l_1	105	105	105 mm
Distance tap holes to edge	l_2	45	45	45 mm
Distance external tap holes (for 3 tap holes)	l_3	200	200	200 mm
Diameter of centre tap hole	l_9	Ø 35	Ø 35	Ø 35 mm
Diameter of outside tap hole (for 3 tap holes only)	l_{10}	Ø 30	Ø 30	Ø 30 mm
Net weight		13	17	22 kg

Subject to technical alterations, tolerances and errors. Similar illustration.

KALDEWEI



	Model	Dimensions mm	Colour price groups			GBP
	Order No.		Alpine White (I)	Sanitary Colours (II, III)	Coord. Colours (IV)	
SILENIO INSET COUNTERTOP WASHBASIN (HEIGHT OF RIM 120 MM) with overflow with 1 x 1 tap hole with easy-clean finish and sound insulation enamelled on both sides	3042 9041 0601 3xxx	600 x 460 x 120	563.00	733.00	733.00	
	3043 9042 0601 3xxx	900 x 460 x 120	772.00	1,005.00	1,005.00	
	3049 9064 0601 3xxx	1200 x 460 x 120	915.00	1,191.00	1,191.00	
without tap hole	xxxx 0600 xxxx		without extra charge	without extra charge	without extra charge	
1 x 3 tap holes	xxxx 0603 xxxx		without extra charge	without extra charge	without extra charge	
without overflow, with 1 x 1 tap hole	xxxx 0630 xxxx		without extra charge	without extra charge	without extra charge	
without tap hole, without overflow	xxxx 0631 xxxx		without extra charge	without extra charge	without extra charge	
without overflow, with 1 x 3 tap holes	xxxx 0627 xxxx		without extra charge	without extra charge	without extra charge	
OPTIONAL: ACCESSORY •¹		PRICE	(I)	(II), (III)	(IV)	
PUSH-TO-OPEN WASTE CHROME-PLATED BRASS with chrome cover	3915 9105 0001 0999	64.50				
CHROME-PLATED BRASS PERMANENT DRAIN VALVE with chrome cover	3917 9107 0001 0999	59.00				
CLOU WASTE AND OVERFLOW SYSTEM FOR LEVER OPERATED POP-UP WASTE round, with chrome cover	3909 9066 0000 0999	98.00				
DESIGNER BOTTLE TRAP	3908 9057 0000 0999	167.00				
BUILT-IN SOAP DISPENSER more information can be found on the accessory pages	3916 9106 0001 0999	129.00				



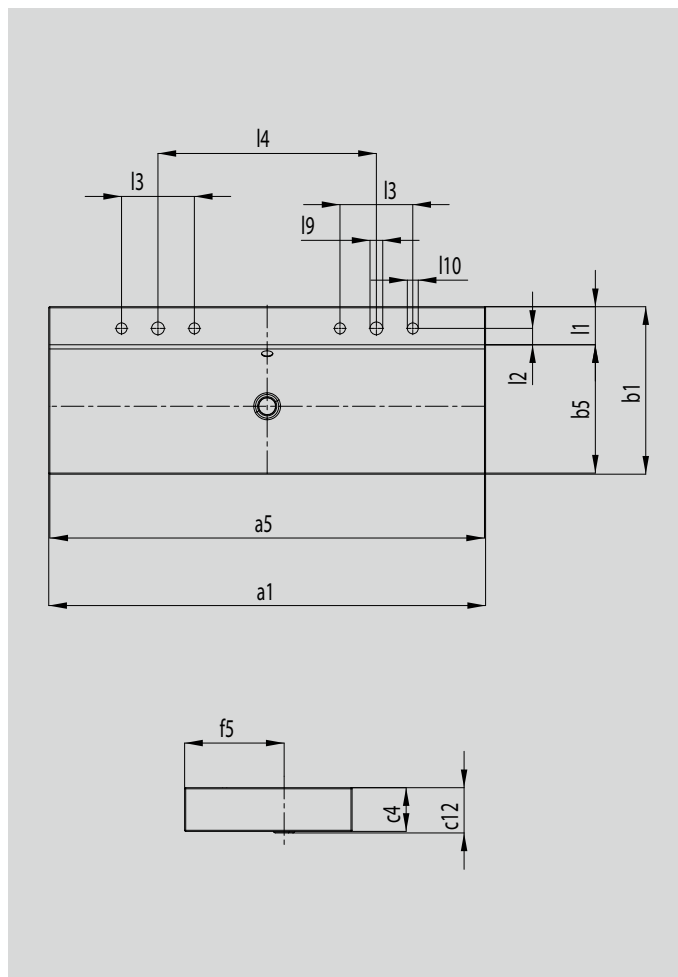
SILENIO COUNTERTOP DOUBLE WASHBASIN

(HEIGHT OF RIM 120 MM)

- fluid and sensually modern design all at once
- optimum comfort through generous dimensioning of the washbasin
- soft, organic interior shape
- geometry allows fittings with short spout leaving ample space for washing
- together with the SILENIO bath and SCONA shower surface, they form a perfect bathroom fitted out entirely with steel enamel
- designed by Anke Salomon



Similar illustration



Model		3049
External length	a_1	1200 mm
Internal length	a_5	1194 mm
External width	b_1	460 mm
Internal width	b_5	353 mm
Height of rim	c_4	120 mm
Distance basin surface to bottom edge of waste hole	c_{12}	123 mm
Distance rear edge to centre of waste hole	f_5	273 mm
Depth of tap deck	l_1	105 mm
Distance tap holes to edge	l_2	45 mm
Distance external tap holes (for 3 tap holes)	l_3	200 mm
Distance between tap holes	l_4	600 mm
Diameter of centre tap hole	l_9	Ø 35 mm
Diameter of outside tap hole (for 3 tap holes only)	l_{10}	Ø 30 mm
Net weight		22 kg



	Model	Dimensions	Colour price groups			GBP
	Order No.	mm	Alpine White (I)	Sanitary Colours (II, III)	Coord. Colours (IV)	
SILENIO COUNTERTOP DOUBLE WASHBASIN (HEIGHT OF RIM 120 MM) with overflow with 2 x 1 tap hole with overflow fitting, easy-clean finish and sound insulation enamelled on both sides	3049-D 9064 0604 3xxx	1200 x 460 x 120	915.00	1,191.00	1,191.00	
2 x 3 tap holes	xxxx 0605 xxxx		without extra charge	without extra charge	without extra charge	
without overflow, with 2 x 1 tap hole	xxxx 0636 xxxx		without extra charge	without extra charge	without extra charge	
without overflow, with 2 x 3 tap holes	xxxx 0637 xxxx		without extra charge	without extra charge	without extra charge	
OPTIONAL: ACCESSORY ●¹		PRICE	(I)	(II), (III)	(IV)	
PUSH-TO-OPEN WASTE CHROME-PLATED BRASS with chrome cover	3915 9105 0001 0999	64.50				
CHROME-PLATED BRASS PERMANENT DRAIN VALVE with chrome cover	3917 9107 0001 0999	59.00				
DESIGNER BOTTLE TRAP	3908 9057 0000 0999	167.00				
BUILT-IN SOAP DISPENSER more information can be found on the accessory pages	3916 9106 0001 0999	129.00				

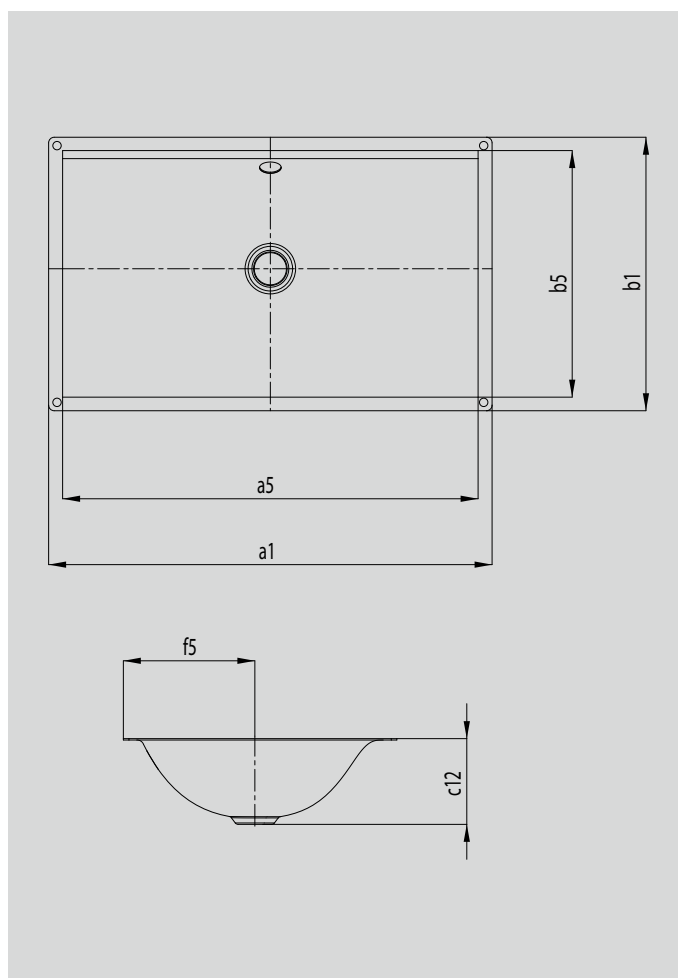


SILENIO UNDER-COUNTER WASHBASIN

- fluid and sensually modern design all at once
- optimum comfort through generous dimensioning of the washbasin
- soft, organic interior shape
- geometry allows fittings with short spout leaving ample space for washing
- together with the SILENIO bath and SCONA shower surface, they form a perfect bathroom fitted out entirely with steel enamel
- designed by Anke Salomon



Similar illustration



Model		3047	3048
External length	a_1	634	934 mm
Internal length	a_5	594	894 mm
External width	b_1	391	391 mm
Internal width	b_5	353	353 mm
Distance basin surface to bottom edge of waste hole	c_{12}	123	123 mm
Distance rear edge to centre of waste hole	f_5	188	188 mm
Net weight		5	8 kg



	Model Order No.	Dimensions mm	Colour price groups			GBP
			Alpine White (I)	Sanitary Colours (II, III)	Coord. Colours (IV)	
SILENIO UNDERCOUNTER WASHBASIN with overflow with overflow fitting, easy-clean finish and sound insulation enamelled on both sides	3047 9060 0600 3xxx	634 x 391	511.00	664.00	664.00	
	3048 9061 0600 3xxx	934 x 391	699.00	910.00	910.00	
without tap hole, without overflow	xxxx 0631 xxxx		without extra charge	without extra charge	without extra charge	
OPTIONAL: ACCESSORY ●¹		PRICE	(I)	(II), (III)	(IV)	
PUSH-TO-OPEN WASTE CHROME-PLATED BRASS with chrome cover	3915 9105 0001 0999	64.50				
CHROME-PLATED BRASS PERMANENT DRAIN VALVE with chrome cover	3917 9107 0001 0999	59.00				
CLOU WASTE AND OVERFLOW SYSTEM FOR LEVER OPERATED POP-UP WASTE round, with chrome cover	3909 9066 0000 0999	98.00				
DESIGNER BOTTLE TRAP	3908 9057 0000 0999	167.00				

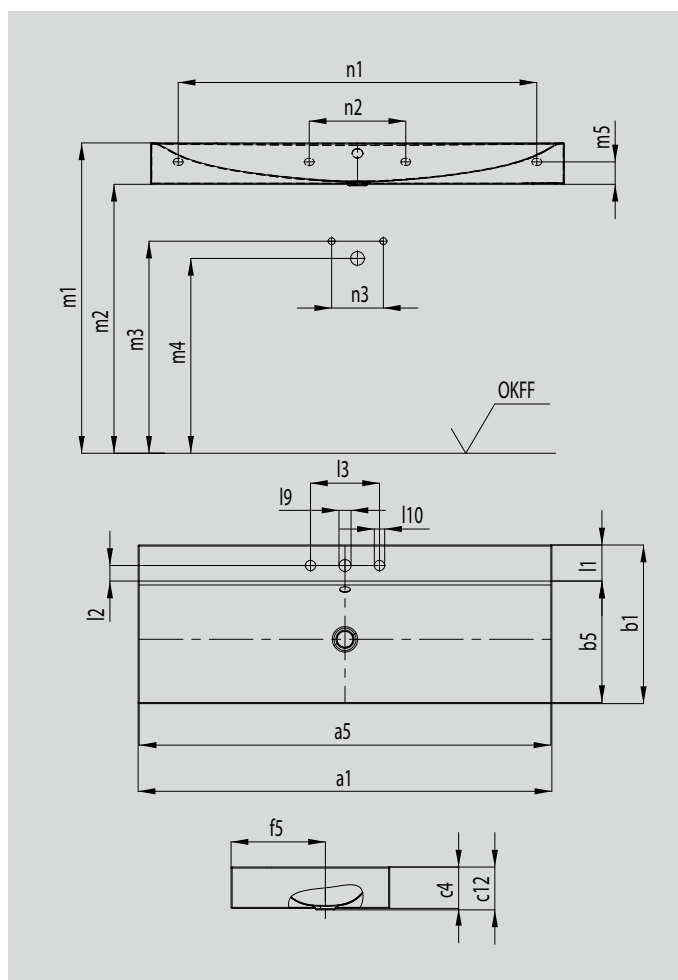


SILENIO WALL-HUNG WASHBASIN

- fluid and sensually modern design all at once
- optimum comfort through generous dimensioning of the washbasin
- soft, organic interior shape
- geometry allows fittings with short spout leaving ample space for washing
- together with the SILENIO bath and SCONA shower surface, they form a perfect bathroom fitted out entirely with steel enamel
- designed by Anke Salomon



Similar illustration



Model		3044	3045	3046
External length	a_1	600	900	1200 mm
Internal length	a_5	594	894	1194 mm
External width	b_1	460	460	460 mm
Internal width	b_5	353	353	353 mm
Height of rim	c_4	120	120	120 mm
Distance basin surface to bottom edge of waste hole	c_{12}	123	123	123 mm
Distance rear edge to centre of waste hole	f_5	273	273	273 mm
Depth of tap deck	l_1	105	105	105 mm
Distance tap holes to edge	l_2	45	45	45 mm
Distance external tap holes (for 3 tap holes)	l_3	200	200	200 mm
Diameter of centre tap hole	l_9	Ø 35	Ø 35	Ø 35 mm
Diameter of outside tap hole (for 3 tap holes only)	l_{10}	Ø 30	Ø 30	Ø 30 mm
Distance FF to top edge basin surface	m_1	820 - 850	820 - 850	820 - 850 mm
Distance FF to bottom edge	m_2	700 - 730	700 - 730	700 - 730 mm
Distance FF to centre of water inlet	m_3	570 - 600	570 - 600	570 - 600 mm
Distance FF to centre of waste hole wall connection	m_4	520 - 580	520 - 580	520 - 580 mm
Distance bottom edge to centre of fixing hole	m_5	65	65	65 mm
External distance of fixing holes	n_1		780	1040 mm
Internal distance of fixing holes	n_2	280	280	280 mm
Distance hot/cold water inlet	n_3	80 - 150	80 - 150	80 - 150 mm
Net weight		13	17	22 kg



	Model	Dimensions	Colour price groups			GBP
	Order No.	mm	Alpine White (I)	Sanitary Colours (II, III)	Coord. Colours (IV)	
SILENIO WALL-HUNG with overflow with 1 x 1 tap hole with overflow fitting, easy-clean finish, sound insulation and insulation tape, enamelled on both sides	3044 9043 0601 3xxx	600 x 460 x 120	563.00	733.00	733.00	
	3045 9044 0601 3xxx	900 x 460 x 120	772.00	1,005.00	1,005.00	
	3046 9045 0601 3xxx	1200 x 460 x 120	915.00	1,191.00	1,191.00	
without tap hole	xxxx 0600 xxxx		without extra charge	without extra charge	without extra charge	
1 x 3 tap holes	xxxx 0603 xxxx		without extra charge	without extra charge	without extra charge	
without overflow, with 1 x 1 tap hole	xxxx 0630 xxxx		without extra charge	without extra charge	without extra charge	
without tap hole, without overflow	xxxx 0631 xxxx		without extra charge	without extra charge	without extra charge	
without overflow, with 1 x 3 tap holes	xxxx 0627 xxxx		without extra charge	without extra charge	without extra charge	
OPTIONAL: ACCESSORY ●¹		PRICE	(I)	(II), (III)	(IV)	
PUSH-TO-OPEN WASTE CHROME-PLATED BRASS with chrome cover	3915 9105 0001 0999	64.50				
CHROME-PLATED BRASS PERMANENT DRAIN VALVE with chrome cover	3917 9107 0001 0999	59.00				
CLOU WASTE AND OVERFLOW SYSTEM FOR LEVER OPERATED POP-UP WASTE round, with chrome cover	3909 9066 0000 0999	98.00				
DESIGNER BOTTLE TRAP	3908 9057 0000 0999	167.00				
BUILT-IN SOAP DISPENSER more information can be found on the accessory pages	3916 9106 0001 0999	129.00				

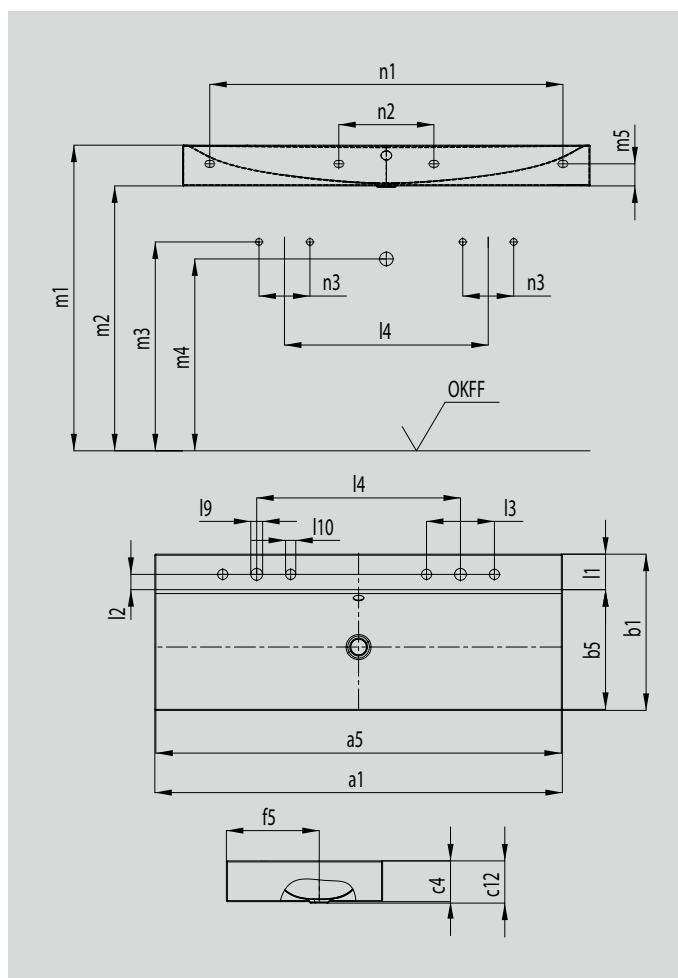


SILENIO WALL-HUNG DOUBLE WASHBASIN

- fluid and sensually modern design all at once
- optimum comfort through generous dimensioning of the washbasin
- soft, organic interior shape
- geometry allows fittings with short spout leaving ample space for washing
- together with the SILENIO bath and SCONA shower surface, they form a perfect bathroom fitted out entirely with steel enamel
- designed by Anke Salomon



Similar illustration



Model		3046
External length	a_1	1200 mm
Internal length	a_5	1194 mm
External width	b_1	460 mm
Internal width	b_5	353 mm
Height of rim	c_1	120 mm
Distance basin surface to bottom edge of waste hole	c_{12}	123 mm
Distance rear edge to centre of waste hole	f_5	273 mm
Depth of tap deck	l_1	105 mm
Distance tap holes to edge	l_2	45 mm
Distance external tap holes (for 3 tap holes)	l_3	200 mm
Distance between tap holes	l_4	600 mm
Diameter of centre tap hole	l_9	Ø 35 mm
Diameter of outside tap hole (for 3 tap holes only)	l_{10}	Ø 30 mm
Distance FF to top edge basin surface	m_1	820 - 850 mm
Distance FF to bottom edge	m_2	700 - 730 mm
Distance FF to centre of water inlet	m_3	570 - 600 mm
Distance FF to centre of waste hole wall connection	m_4	520 - 580 mm
Distance bottom edge to centre of fixing hole	m_5	65 mm
External distance of fixing holes	n_1	1040 mm
Internal distance of fixing holes	n_2	280 mm
Distance hot/cold water inlet	n_3	80 - 150 mm
Net weight		16 kg



	Model	Dimensions	Colour price groups			GBP
	Order No.	mm	Alpine White (I)	Sanitary Colours (II, III)	Coord. Colours (IV)	
SILENIO WALL-HUNG DOUBLE WASHBASIN with overflow with 2 x 1 tap holes with overflow fitting, easy-clean finish, sound insulation and insulation tape, enamelled on both sides	3046-D 9045 06043 xxx	1200 x 460 x 120	915.00	1,191.00	1,191.00	
2 x 3 tap holes	xxxx 0605 xxxx		without extra charge	without extra charge	without extra charge	
without overflow, with 2 x 1 tap hole	xxxx 0636 xxxx		without extra charge	without extra charge	without extra charge	
without overflow, with 2 x 3 tap holes	xxxx 0637 xxxx		without extra charge	without extra charge	without extra charge	
OPTIONAL: ACCESSORY ●¹		PRICE	(I)	(II), (III)	(IV)	
PUSH-TO-OPEN WASTE CHROME-PLATED BRASS with chrome cover	3915 9105 00010 999	64.50				
CHROME-PLATED BRASS PERMANENT DRAIN VALVE with chrome cover	3917 9107 00010 999	59.00				
DESIGNER BOTTLE TRAP	3908 9057 00000 999	167.00				
BUILT-IN SOAP DISPENSER more information can be found on the accessory pages	3916 9106 00010 999	129.00				

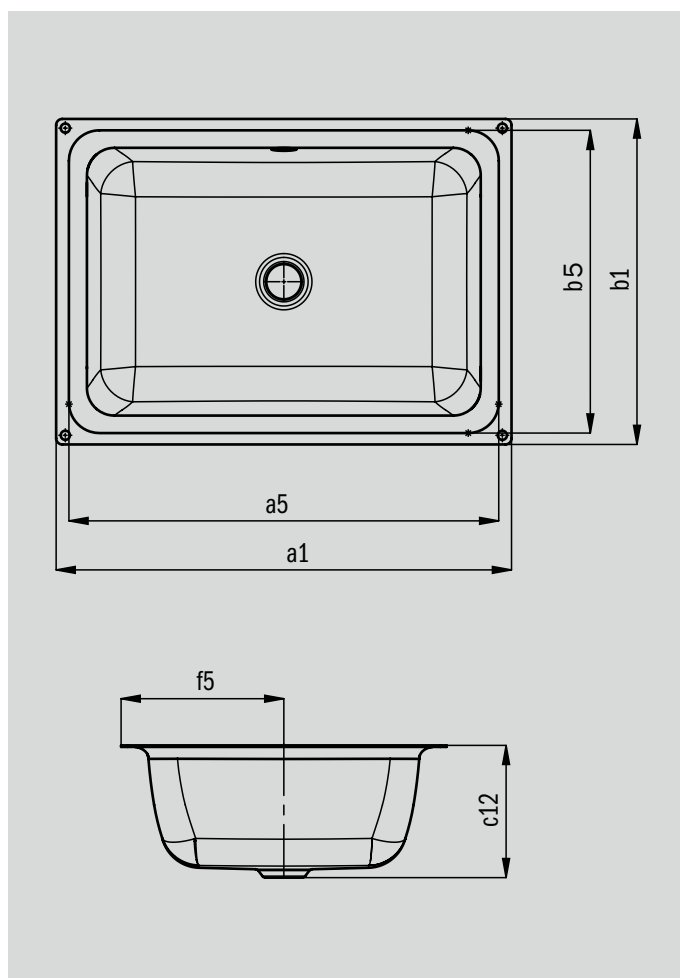


CAYONO UNDERCOUNTER WASHBASIN

- Comfortable spaciousness thanks to the generous interior depth
- Puristic design completed by softly curved surfaces
- Generous radii make cleaning particularly easy
- Elegant solution - overflow cover outside the visible area
- made of KALDEWEI steel enamel



Similar illustration



Model		3190
External length	a_1	596 mm
Internal length	a_5	562 mm
External width	b_1	426 mm
Internal width	b_5	396 mm
Distance basin surface to bottom edge of waste hole	c_{12}	173 mm
Distance rear edge to centre of waste hole	f_5	213 mm
Net weight		8 kg



	Model Order No.	Dimensions mm	Colour price groups Alpine White (I)	GBP
CAYONO UNDERCOUNTER WASHBASIN including overflow set and sound insulation enameled on one side with overflow	3190 913706000001	596 x 426		264.00
OPTIONAL: KALDEWEI PERFECTION SURFACE FINISHES		PRICE	(I)	
EXTRA CHARGE FOR EASY-CLEAN FINISH	xxxxxxx3xxx			51.50
OPTIONAL: ACCESSORY ●¹		PRICE	(I)	
PUSH-TO-OPEN WASTE CHROME-PLATED BRASS with chrome cover	3915 910500010999	64.50		
DESIGN OVERFLOW-COVER	3920 699801340000	15.00		
DESIGNER BOTTLE TRAP	3908 905700000999	167.00		
BUILT-IN SOAP DISPENSER more information can be found on the accessory pages	3916 910600010999	129.00		

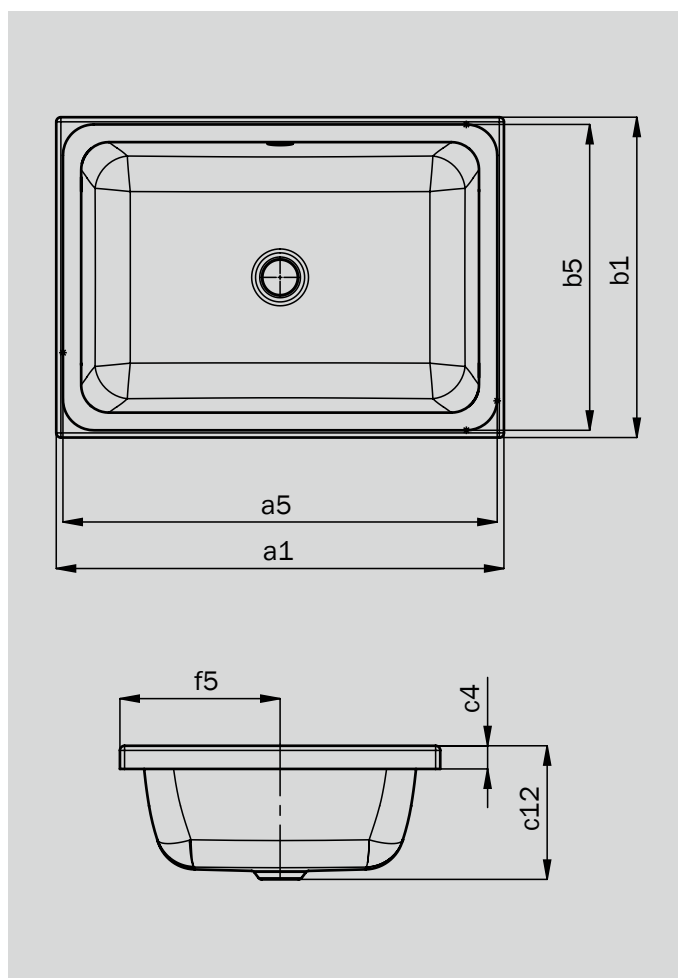


CAYONO S COUNTERTOP WASHBASIN

- Comfortable spaciousness thanks to the generous interior depth
- Puristic design completed by softly curved surfaces
- Generous radii make cleaning particularly easy
- Elegant solution - overflow cover outside the visible area
- made of KALDEWEI steel enamel



Similar illustration



Model		3189
External length	a_1	580 mm
Internal length	a_5	562 mm
External width	b_1	415 mm
Internal width	b_5	396 mm
Height of rim	c_4	30 mm
Distance basin surface to bottom edge of waste hole	c_{12}	173 mm
Distance rear edge to centre of waste hole	f_5	208 mm
Net weight		10 kg



	Model Order No.	Dimensions mm	Colour price groups Alpine White (I)	GBP
CAYONO S COUNTERTOP WASHBASIN including overflow set and sound insulation enameled on one side with overflow	3189 913606000001	580 x 415 x 30		341.00
OPTIONAL: KALDEWEI PERFECTION SURFACE FINISHES		PRICE	(I)	
EXTRA CHARGE FOR EASY-CLEAN FINISH	xxxxxxx3xxx			51.50
OPTIONAL: ZUBEHÖR ●¹		PRICE	(I)	
PUSH-TO-OPEN WASTE CHROME-PLATED BRASS with chrome cover	3915 910500010999	64.50		
DESIGN OVERFLOW-COVER	3920 699801340000	15.00		
DESIGNER BOTTLE TRAP	3908 905700000999	167.00		

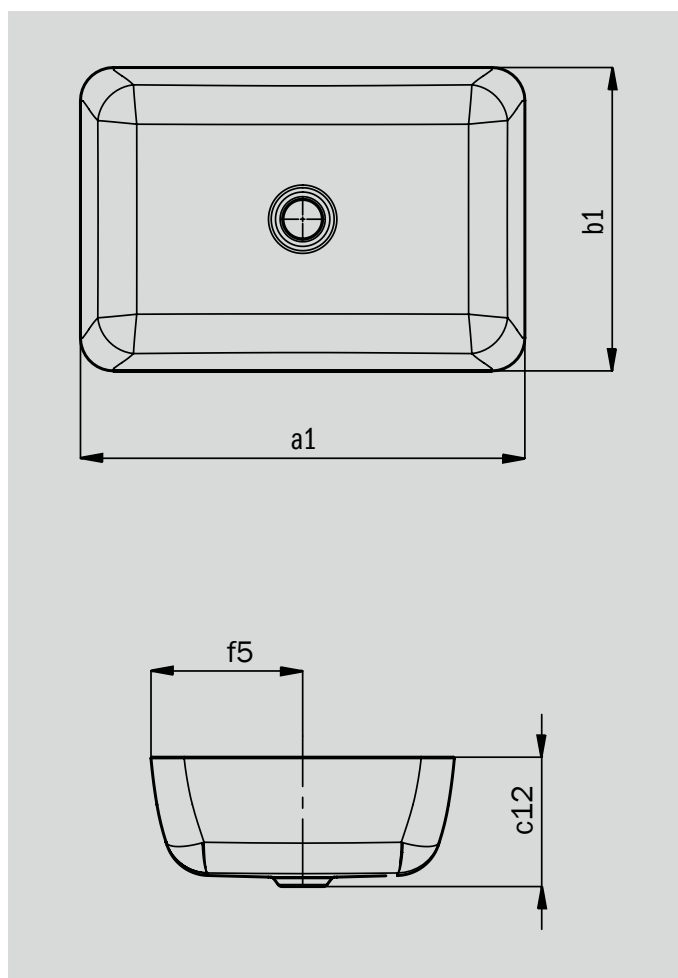


CAYONO WASHBOWL

- Comfortable spaciousness thanks to the generous interior depth
- Puristic design completed by softly curved surfaces
- Generous radii make cleaning particularly easy
- made of KALDEWEI steel enamel



Similar illustration



Model		3188
External length	a_1	520 mm
External width	b_1	355 mm
Distance basin surface to bottom edge of waste hole	c_{12}	151 mm
Distance rear edge to centre of waste hole	f_5	178 mm
Net weight		11 kg

Subject to technical alterations, tolerances and errors. Similar illustration.

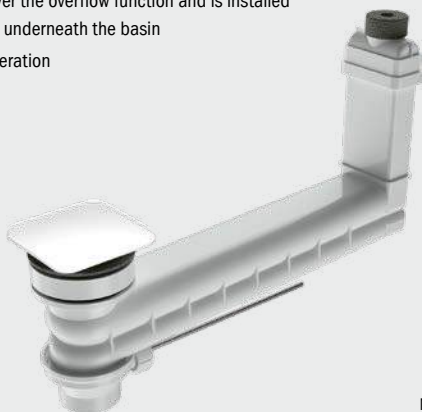
	Model Order No.	Dimensions mm	Colour price groups Alpine White (I)	GBP
CAYONO WASHBOWL Enameled on both sides without overflow	3188 913506000001	520 x 355		481.00
OPTIONAL: KALDEWEI PERFECTION SURFACE FINISHES		PRICE	(I)	
EXTRA CHARGE FOR EASY-CLEAN FINISH	xxxxxxxx3xx			51.50
OPTIONAL: ACCESSORY •¹		PRICE	(I)	
CHROME-PLATED BRASS PERMANENT DRAIN VALVE with chrome cover	3917 910700010999			59.00
DESIGNER BOTTLE TRAP	3908 905700000999			167.00



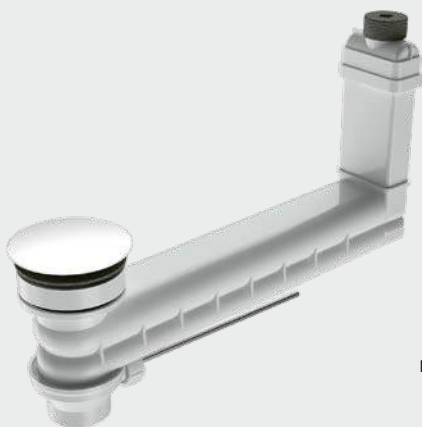
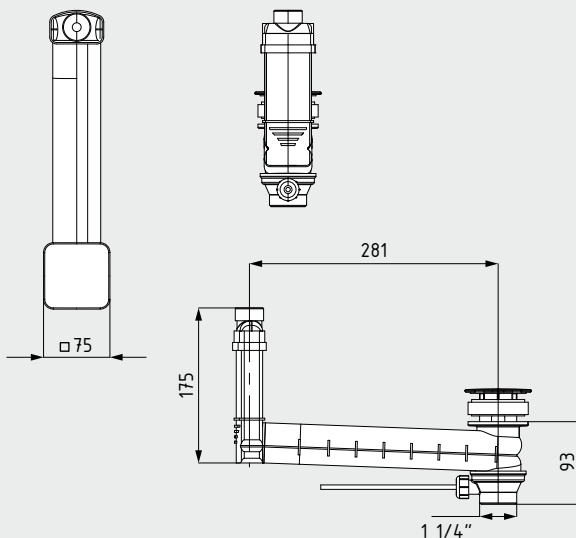
INFLOW/OUTFLOW TECHNOLOGY

CLOU WASTE AND OVERFLOW SYSTEM FOR LEVER OPERATION POP-UP WASTE

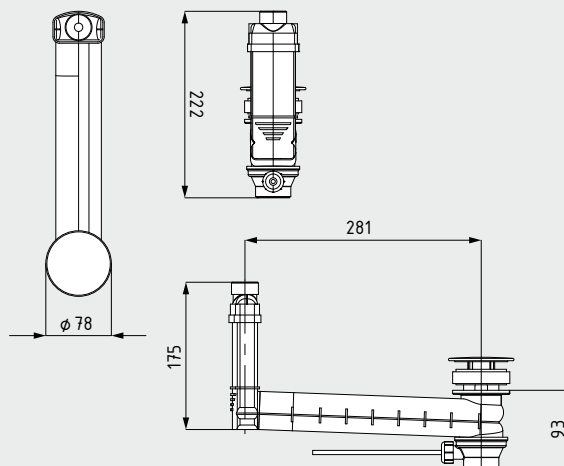
- Waste and overflow fitting for washbasins without overflow
- takes over the overflow function and is installed invisibly underneath the basin
- lever operation



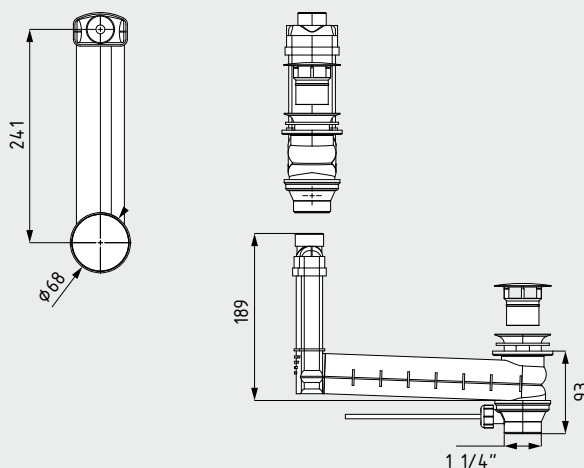
Model 3901



Model 3900



Model 3909



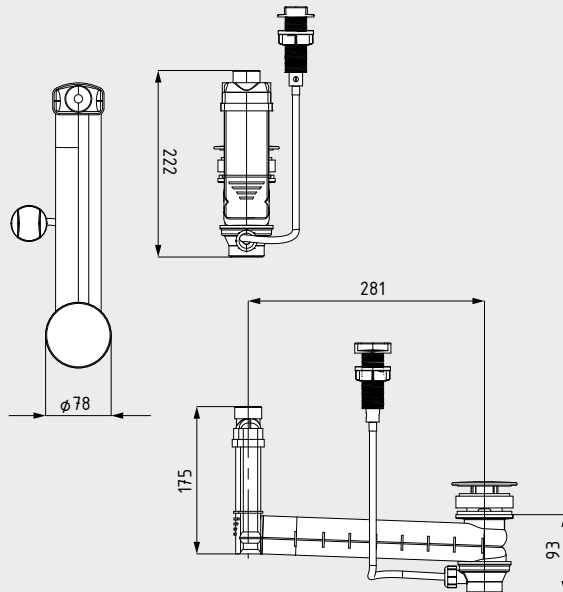
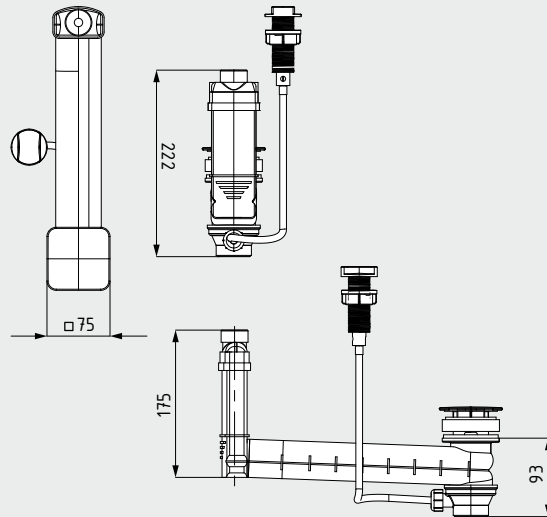
Dimensions in mm

CLOU waste and overflow system for lever operation pop-up waste enamelled cover	Model Order no.	Colour price groups		GBP
		Alpine white (I)	Sanitary Colours (II, III) / Coord. Colours (IV)*	
with square, enamelled cover suitable for CONO	3901 905400000xxx	• 108.50		• 118.50
with round, enamelled cover suitable for CENTRO washbasins	3900 905300000xxx	• 108.50		• 118.50
CLOU waste and overflow system for lever operation pop-up waste chrome cover	Model Order no.			GBP
with round cover, chrome suitable for SILENIO washbasins without overflow	3909 906600000999			• 98.00

Subject to technical alterations, tolerances and errors. • = separate accessory.

CLOU WASTE AND OVERFLOW SYSTEM WITH CABLE OPERATED POP-UP WASTE AND DECK MOUNTED CONTROL KNOB

- Waste and overflow fitting for washbasins without overflow
- takes over the overflow function and is installed invisibly underneath the basin
- cable and knob operation



Dimensions in mm

CLOU waste and overflow system with cable operated pop-up waste and deck mounted control knob	Model Order no.	Colour price groups		
		Alpine white (I)	Sanitary Colours (II, III)	Coord. Colours (IV)*
with square, enamelled cover, chrome control knob suitable for CONO washbasins	3903** 90560000xxx	• 255.00		• 280.00
with round, enamelled cover, chrome control knob suitable for CENTRO washbasins	3902** 90550000xxx	• 255.00		• 280.00
with square, enamelled cover, white control knob suitable for CONO washbasins	3911** 910300010001	• 295.00		
with round, enamelled cover, white control knob suitable for CENTRO washbasins	3910** 910200010001	• 295.00		

** includes extra charge for control knob hole; to be ordered with washbasin with control knob hole.

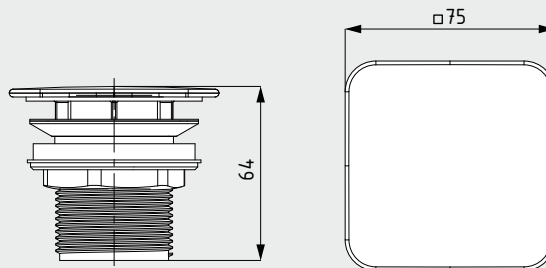
FREE-FLOW WASTE

FREE-FLOW WASTE WITH ENAMELLED COVER

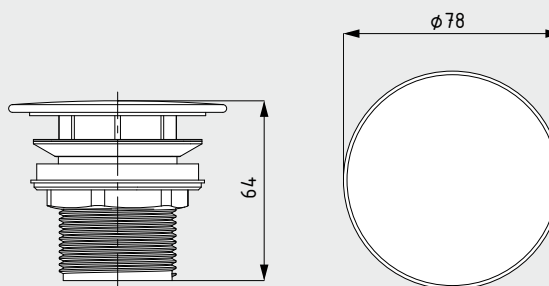
- Free-flow waste for washbasins without overflow function



Model 3905



Model 3904



Dimensions in mm

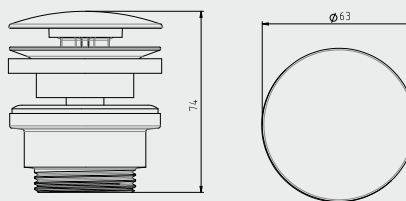
Free-flow waste	Model Order no.	Colour price groups		GBP
		Alpine white (I)	Sanitary Colours (II, III) / Coord. Colours (IV)	
with square cover suitable for CONO and the MIENA washbowl	3905 90590000xxx	• 75.00		• 82.00
with round cover suitable for CENTRO washbasins and MIENA washbowl	3904 90580000xxx	• 75.00		• 82.00

CHROME-PLATED BRASS PERMANENT WASTE VALVE

- Free-flow waste for washbasins without overflow function



Model 3917



Dimensions in mm

Free-flow waste	Model Order no.	GBP
Chrome-plated brass cover suitable for washbasins without overflow with round, chrome-plated cover	3917 910700010999	• 59.00

FREE-FLOW WASTE

HAIR CATCHER

- Hair catcher for washbasin free-flow wastes



Model 3912

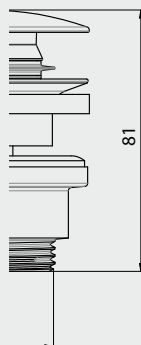
Hair catcher	Model Order No.	GBP
suitable for free-flow waste model 3904 and model 3905	3912 91040000001	• 4.10



INFLOW/OUTFLOW TECHNOLOGY

PUSH-TO-OPEN WASTE WITH CHROME COVER

- Push-to-open waste for washbasins with overflow

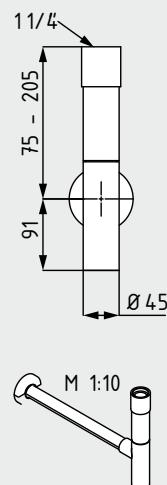
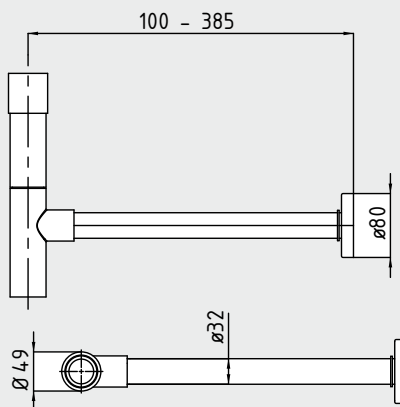


Dimensions in mm

Push-to-open waste	Model Order No.	GBP
with chrome cover	3915 91050000999	• 64.50

DESIGNER BOTTLE TRAP

Designer bottle trap, chrome plated suitable for all models

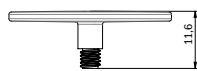
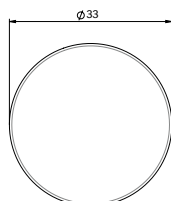


Dimensions in mm

Designer bottle trap, chrome plated	Model Order No.	GBP
Designer bottle trap, chrome plated	3908 90570000999	• 167.00

DESIGN OVERFLOW COVER

chrome-plated



Abmessungen in mm

Model
Order No.

GBP

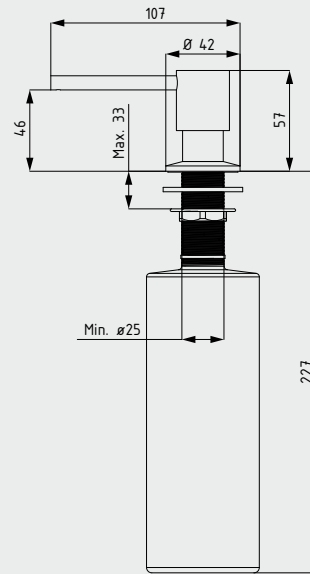
3920
699801340000

• 15.00

ACCESSOIRES

BUILT-IN SOAP DISPENSER

- Built-in soap dispenser with swivel spout
- Incl. refill bottle 500 ml
- Can be refilled from the top



Built-in soap dispenser	Model Order No.	GBP
made of brass, chrome-plated, and plastic	3916 910600010999	• 89.00

POSITIONING OPTIONS BUILT-IN SOAP DISPENSER

	Tap hole	without TH			1x1			1x3			2x1			2x3		
		left	right	centre	left	right	centre	left	right	centre	left	right	centre	left	right	centre
Model	Model No.															
CENTRO Inset Countertop	3055, 3056, 3057, 3058	✓	✓		✓	✓		✓	✓							
CENTRO Wall-Hung Washbasin	3061, 3062	✓	✓		✓	✓		✓	✓							
CONO Built-In Washbasin	3075, 3080, 3081, 3082	✓	✓		✓	✓										
CONO Built-In Double Washbasin	3082-D											✓				✓
CONO Inset Countertop Washbasin	3076, 3083, 3084, 3077, 3085, 3086	✓	✓		✓	✓										
CONO Wall-Hung Washbasin	3079, 3089, 3090, 3091	✓	✓		✓	✓										
CONO Wall-Hung Double Washbasin	3091-D											✓				✓
PURO Built-In Washbasin	3150, 3151, 3152, 3169	✓	✓		✓	✓										
PURO Built-In Double Washbasin	3169-D											✓				✓
PURO Inset Countertop Washbasin	3153, 3154, 3155, 3156, 3157, 3158, 3168	✓	✓		✓	✓										
PURO Countertop Double Washbasin	3168-D											✓				✓
	3171	✓	✓	✓							✓	✓	✓			✓
PURO Wall-Hung Washbasin	3163, 3164, 3165, 3167	✓	✓		✓	✓										
PURO Wall-Hung Double Washbasin	3167-D											✓				✓
	3170	✓	✓	✓							✓	✓	✓			✓
SILENIO Built-In Washbasin	3037, 3038, 3039	✓	✓		✓	✓		✓	✓							
SILENIO Built-In Double Washbasin	3039-D											✓				✓
SILENIO Inset Countertop Washbasin	3040, 3041, 3042, 3043, 3049	✓	✓		✓	✓		✓	✓							
SILENIO Countertop Double Washbasin	3049-D											✓				✓
SILENIO Wall-Hung Washbasin	3044, 3045, 3046	✓	✓		✓	✓		✓	✓							
SILENIO Wall-Hung Double Washbasin	3046-D											✓				✓

ADDITIONAL CHARGE FOR REQUESTED BORE HOLES (REGARDLESS OF THE QUANTITY)

		GBP
No tap holes possible for MIENA, MING, NUEVA, CAYONO-washbasins range and undercounter washbasins. All other drill holes on enquiry. Dimensioned sketch required. The surcharge applies regardless of the number of holes.		89.00

GENERAL TERMS AND CONDITIONS FOR DELIVERY AND PAYMENT

KALDEWEI UK LIMITED

The customer's attention is drawn in particular to the provisions of clause 9.

1. INTERPRETATION

1.1 Definitions:

Business Day: a day (other than a Saturday, Sunday or public holiday) when banks in London are open for business. Conditions: the terms and conditions set out in this document as amended from time to time in accordance with clause 11.4.

Contract: the contract between the Supplier and the Customer for the sale and purchase of the Goods in accordance with these Conditions.

Customer: the person or firm who purchases the Goods from the Supplier.

Force Majeure Event: an event or circumstance beyond a party's reasonable control.

Goods: the goods (or any part of them) set out in the Order.

Order: the Customer's order for the Goods, as set out in the Customer's purchase order form, the Customer's written acceptance of either the Supplier's quotation or in a manner agreed by the Supplier, as the case may be.

Specification: any specification for the Goods as provided by the Supplier.

Supplier: KALDEWEI UK LIMITED registered in England and Wales with company number 04291052.

1.2 Interpretation:

(a) a reference to a statute or statutory provision is a reference to such statute or provision as amended or re-enacted. A reference to a statute or statutory provision includes any subordinate legislation made under that statute or statutory provision, as amended or re-enacted.

(b) any phrase introduced by the terms including, include, in particular or any similar expression shall be construed as illustrative and shall not limit the sense of the words preceding those terms.

(c) a reference to writing or written includes emails.

2. BASIS OF CONTRACT

2.1 These Conditions apply to the Contract to the exclusion of any other terms that the Customer seeks to impose or incorporate, or which are implied by trade, custom, practice or course of dealing.

2.2 The Order constitutes an offer by the Customer to purchase the Goods in accordance with these Conditions. The Customer is responsible for ensuring that the terms of the Order and any applicable Specification submitted by the Customer are complete and accurate.

2.3 The Order shall only be deemed to be accepted when the Supplier issues a written acceptance of the Order, at which point the Contract shall come into existence.

2.4 The Customer waives any right it might otherwise have to rely on any term endorsed upon, delivered with or contained in any documents of the Customer that is inconsistent with these Conditions.

2.5 Any samples, drawings, descriptive matter or advertising produced by the Supplier and any descriptions or illustrations contained in the Supplier's catalogues or brochures are produced for the sole purpose of giving an approximate idea of the Goods referred to in them. They shall not form part of the Contract nor have any contractual force.

2.6 A quotation for the Goods given by the Supplier shall not constitute an offer. A quotation shall only be valid for a period set out in the quotation or otherwise 20 Business Days from its date of issue.

3. GOODS

3.1 The Goods are as described in the Specification.

3.2 The Supplier reserves the right to amend the specification of the Goods if required by any applicable statutory or regulatory requirements.

4. DELIVERY

4.1 The Supplier shall deliver the Goods to the location set out in the Contract or such other location as the parties may agree (Delivery Location) at any time after the Supplier notifies the Customer that the Goods are ready.

4.2 Delivery is completed on the completion of unloading of the Goods at the Delivery Location.

4.3 Delivery will be arranged within a reasonable time from the date of the Contract and any dates quoted for delivery are approximate only and will be subject to availability, and the time of delivery is not of the essence. The Supplier shall not be liable for any delay in delivery of the Goods that is caused by a Force Majeure Event or the Customer's failure to provide the Supplier with adequate delivery instructions or any other instructions that are relevant to the supply of the Goods.

4.4 If the Supplier fails to deliver the Goods, its liability shall be limited to the costs and expenses incurred by the Customer in obtaining replacement goods of similar description and quality in the cheapest market available, less the price of the Goods.

4.5 The Supplier shall have no liability for any failure to deliver the Goods to the extent that such failure is caused by a Force Majeure Event or the Customer's failure to provide the Supplier with adequate delivery instructions or any other instructions that are relevant to the supply of the Goods.

4.6 If the Customer fails to take delivery of the Goods then, except where such failure or delay is caused by a Force Majeure Event or the Supplier's failure to comply with its obligations under the Contract:

(a) delivery of the Goods shall be deemed to have been completed at 9.00 am on the day of delivery; and

(b) the Supplier shall store the Goods until delivery takes place, and charge the Customer for all related costs and expenses (including insurance).

4.7 If the specified date for which the Supplier notified the Customer that the Goods were ready for delivery has passed and the Customer has not accepted delivery of the Goods, any risk in the Goods shall pass to the Customer, the Supplier may resell or otherwise dispose of part or all of the Goods and, after deducting reasonable storage and selling costs, account to the Customer for any excess over the price of the Goods or charge the Customer for any shortfall below the price of the Goods.

4.8 If the Supplier delivers up to and including 5% more or less than the quantity of Goods ordered the Customer may not reject them, but on receipt of notice from the Customer that the wrong quantity of Goods was delivered, a pro rata adjustment shall be made to the Order invoice.

4.9 The Supplier may deliver the Goods by instalments, which shall be invoiced and paid for separately. Any delay in delivery or defect in an instalment shall not entitle the Customer to cancel any other instalment.

5. QUALITY

5.1 The Supplier warrants that on delivery, and for a period of 24 months from the date of delivery (warranty period), the Goods shall:

(a) conform in all material respects with their description and any applicable Specification; and

(b) be free from material defects in design, material and workmanship; and

(c) be of satisfactory quality (within the meaning of the Sale of Goods Act 1979); and

5.2 Subject to clause 5.4, the Customer may reject any Products delivered to it that do not comply with Clause 5.1 and the Supplier shall, at its option, repair or replace the defective Goods, or refund the price of the defective Goods in full, provided that:

(a) notice of rejection is given to the Supplier: and

(i) in the case of a defect that is apparent on normal visual inspection, within five Business Days of Delivery; OR

(ii) in the case of a latent defect, within five Business Days of the latent defect having become apparent;

(b) the Supplier is given a reasonable opportunity of examining such Goods; and

(c) the Customer (if asked to do so by the Supplier) returns such Goods to the Supplier's place of business at the Customer's cost,

(d) none of the events listed in Clause 5.4 apply.

5.3 If the Customer fails to give notice of rejection in accordance with Clause 5.2 it shall be deemed to have accepted these Products.

5.4 The Supplier shall not be liable for a Products' failure to comply with the warranty set out in Clause 5.1 in any of the following events:

(a) the Customer makes any further use of those Products after giving notice in accordance with Clause 5.3;

(b) the defect arises because the Customer failed to follow the Supplier's oral or written instructions for the storage, commissioning, installation, use and maintenance of the Products or (if there are none) good trade practice regarding the same;

(c) the defect arises as a result of the Supplier following any drawing, design or Specification supplied by the Customer;

(d) the Customer alters or repairs those Products without the written consent of the Supplier;

(e) the defect arises as a result of fair wear and tear, wilful damage, negligence, or abnormal storage or working conditions; or

(f) the Products differ from their description or the Specification as a result of changes made to ensure they comply with applicable statutory or regulatory requirements.

5.5 Once the Supplier has complied with the Customer's request, it shall have no further liability to the Customer for the rejected Products' failure to comply with Clause 5.1 and except as provided in this clause 5, the Supplier shall have no liability to the Customer in respect of the Goods' failure to comply with the warranty set out in clause 5.1.

5.6 The terms implied by sections 13 to 15 of the Sale of Goods Act 1979 are, to the fullest extent permitted by law, excluded from the Contract.

5.7 These Conditions shall apply to any repaired or replacement Goods supplied by the Supplier.

6. TITLE AND RISK

6.1 The risk in the Goods shall pass to the Customer on the loading of the Goods by the Supplier prior to Delivery.

6.2 Title to the Goods shall not pass to the Customer until the:

(a) the Supplier receives payment in full (in cash or cleared funds) for the Goods, in which case title to the Goods shall pass at the time of payment; and

6.3 Until title to the Goods has passed to the Customer, the Customer shall:

(a) store the Goods separately from all other goods held by the Customer so that they remain readily identifiable as the Supplier's property;

(b) not remove, deface or obscure any identifying mark or packaging on or relating to the Goods;

(c) maintain the Goods in satisfactory condition and keep them insured against all risks for their full price from the date of delivery;

(d) notify the Supplier immediately if it becomes subject to any of the events listed in clause 8.1; and

(e) give the Supplier such information relating to the Goods as the Supplier may require from time to time.

6.4 Subject to clause 6.5, the Customer may resell or use the Goods in the ordinary course of its business (but not otherwise) before the Supplier receives payment for the Goods. However, if the Customer resells the Goods before that time:

(a) it does so as principal and not as the Supplier's agent; and

(b) title to the Goods shall pass from the Supplier to the Customer immediately before the time at which resale by the Customer occurs.

6.5 If before title to the Goods passes to the Customer the Customer becomes subject to any of the events listed in clause 8.1, then, without limiting any other right or remedy the Supplier may have:

(a) the Customer's right to resell the Goods or use them in the ordinary course of its business ceases immediately; and

(b) the Supplier may at any time:

(i) require the Customer to deliver up all Goods in its possession that have not been resold, or irrevocably incorporated into another product; and

(ii) if the Customer fails to do so promptly, enter any premises of the Customer or of any third party where the Goods are stored in order to recover them.

7. PRICE AND PAYMENT

7.1 The price of the Goods shall be the price set out in the Order, or, if no price is quoted, the price set out in the Supplier's published price list in force as at the date of delivery.

7.2 The Supplier may, by giving notice to the Customer at any time before delivery, increase the price of the Goods to reflect any increase in the cost of the Goods that is due to:

(a) any factor beyond the Supplier's control (including foreign exchange fluctuations, increases in taxes and duties, and increases in labour, materials and other manufacturing costs);

(b) any request by the Customer to change the delivery date(s), quantities or types of Goods ordered, or the Specification; or

(c) any delay caused by any instructions of the Customer or failure of the Customer to give the Supplier adequate or accurate information or instructions.

7.3 The price of the Goods:

(a) excludes amounts in respect of value added tax (VAT), which the Customer shall additionally be liable to pay to the Supplier at the prevailing rate, subject to the receipt of a valid VAT invoice; and

(b) excludes the costs and charges of packaging, insurance and transport of the Goods, which shall be invoiced to the Customer.

7.4 The Supplier may invoice the Customer for the Goods on or at any time after the completion of delivery.

7.5 The Customer shall pay the invoice in full and in cleared funds within 30 of the date of the invoice. Payment shall be made both in sterling and to the bank account nominated in writing by the Supplier. Time for payment is of the essence.

7.6 If the Customer fails to make any payment due to the Supplier under the Contract by the due date for payment, then the Customer shall pay interest on the overdue amount at the rate of 1.5% per annum above the Bank of England's base rate from time to time. Such interest shall accrue on a daily basis from the due date until actual payment of the overdue amount, whether before or after judgment. The Customer shall pay the interest together with the overdue amount.

7.7 The Customer shall pay all amounts due under the Contract in full without any set-off, counterclaim, deduction or withholding (except for any deduction or withholding required by law). The Supplier may at any time, without limiting any other rights or

remedies it may have, set off any amount owing to it by the Customer against any amount payable by the Supplier to the Customer.

- 7.8 The Customer shall indemnify the Supplier against all costs and expenses suffered or incurred by Supplier arising out of or in connection with the enforcement of these terms.

8. TERMINATION

- 8.1 Without limiting its other rights or remedies, the Supplier may terminate this Contract with immediate effect by giving written notice to the Customer if:
- (a) the Customer commits a material breach of any term of the Contract and (if such a breach is remediable) fails to remedy that breach within 7 days of that party being notified in writing to do so;
 - (b) the Customer takes any step or action in connection with its entering administration, provisional liquidation or any composition or arrangement with its creditors (other than in relation to a solvent restructuring), being wound up (whether voluntarily or by order of the court, unless for the purpose of a solvent restructuring), having a receiver appointed to any of its assets or ceasing to carry on business or, if the step or action is taken in another jurisdiction, in connection with any analogous procedure in the relevant jurisdiction;
 - (c) the Customer suspends, threatens to suspend, ceases or threatens to cease to carry on all or a substantial part of its business; or
 - (d) the Customer's financial position deteriorates to such an extent that in the Supplier's opinion the Customer's capability to adequately fulfil its obligations under the Contract has been placed in jeopardy.
- 8.2 Without limiting its other rights or remedies, the Supplier may suspend provision of the Goods under the Contract or any other contract between the Customer and the Supplier if the Customer becomes subject to any of the events listed in clause 8.1(a) to clause 8.1(d), or the Supplier reasonably believes that the Customer is about to become subject to any of them, or if the Customer fails to pay any amount due under this Contract on the due date for payment.
- 8.3 Without limiting its other rights or remedies, the Supplier may terminate the Contract with immediate effect by giving written notice to the Customer if the Customer fails to pay any amount due under the Contract on the due date for payment.
- 8.4 On termination of the Contract for any reason the Customer shall immediately pay to the Supplier all of the Supplier's outstanding unpaid invoices and interest.
- 8.5 Termination of the Contract shall not affect any of the parties' rights and remedies that have accrued as at termination, including the right to claim damages in respect of any breach of this Contract that existed at or before the date of termination.
- 8.6 Any provision of the Contract that expressly or by implication is intended to come into or continue in force on or after termination shall remain in full force and effect.

9. LIMITATION OF LIABILITY

WARNING TO CUSTOMERS: you are strongly advised to read the drafting note commentary on this clause.

- 9.1 Nothing in these Conditions shall limit or exclude the Supplier's liability for:

- (a) death or personal injury caused by its negligence, or the negligence of its employees, agents or subcontractors (as applicable);
- (b) fraud or fraudulent misrepresentation;
- (c) breach of the terms implied by section 12 of the Sale of Goods Act 1979; or
- (d) defective products under the Consumer Protection Act 1987.

- 9.2 Subject to clause 9.1:

- (a) the Supplier shall under no circumstances whatsoever be liable to the Customer, whether in contract, tort (including negligence), breach of statutory duty, or otherwise, for any loss of profit, or any indirect or consequential loss arising under or in connection with the Contract including but not limited to both the fitness for purposes of the Goods and/or any technical information given by the Supplier; and (b) the Supplier's total liability to the Customer in respect of all other losses arising under or in connection with the Contract, whether in contract, tort (including negligence), breach of statutory duty, or otherwise, shall in no circumstances exceed the price of the Goods.

10. FORCE MAJEURE

Neither party shall be in breach of this Contract nor liable for delay in performing, or failure to perform, any of its obligations under this Contract if such delay or failure result from a Force Majeure Event.

11. GENERAL

- 11.1 Assignment and other dealings.

- (a) The Supplier may at any time assign, transfer, mortgage, charge, subcontract or deal in any other manner with all or any of its rights or obligations under the Contract.
- (b) The Customer may not assign, transfer, mortgage, charge, subcontract, declare a trust over or deal in any other manner with any or all of its rights or obligations under the Contract without the prior written consent of the Supplier.

- 11.2 Confidentiality.

- (a) Each party undertakes that it shall not at any disclose to any person any confidential information concerning the business, affairs, customers, clients or suppliers of the other party, except as permitted by clause 11.2(b).
- (b) Each party may disclose the other party's confidential information:
 - (i) to its employees, officers, representatives or advisers who need to know such information for the purposes of exercising the party's rights or carrying out its obligations under or in connection with this agreement. Each party shall ensure that its employees, officers, representatives or advisers to whom it discloses the other party's confidential information comply with this clause 11.2; and
 - (ii) as may be required by law, a court of competent jurisdiction or any governmental or regulatory authority.
- (c) No party shall use any other party's confidential information for any purpose other than to exercise its rights and perform its obligations under or in connection with this agreement.

- 11.3 Entire agreement.

(a) This Contract constitutes the entire agreement between the parties and supersedes and extinguishes all previous agreements, promises, assurances, warranties, representations and understandings between them, whether written or oral, relating to its subject matter.

(b) Each party agrees that it shall have no remedies in respect of any statement, representation, assurance or warranty (whether made innocently or negligently) that is not set out in this agreement. Each party agrees that it shall have no claim for innocent or negligent misrepresentation (or negligent misstatement) based on any statement in this agreement.

- 11.4 Variation: No variation of this Contract shall be effective unless it is in writing and signed by the parties (or their authorised representatives).

- 11.5 Waiver: No failure or delay by a party to exercise any right or remedy provided under the Contract or by law shall constitute a waiver of that or any other right or remedy, nor shall it prevent or restrict the further exercise of that or any other right or remedy. No single or partial exercise of such right or remedy shall prevent or restrict the further exercise of that or any other right or remedy.

- 11.6 Severance: If any provision or part-provision of the Contract is or becomes invalid, illegal or unenforceable, it shall be deemed modified to the minimum extent necessary to make it valid, legal and enforceable. If such modification is not possible, the relevant provision or part-provision shall be deemed deleted. Any modification to or deletion of a provision or part-provision under this clause shall not affect the validity and enforceability of the rest of the Contract.

- 11.7 Notices.

(a) Any notice or other communication given to a party under or in connection with the Contract shall be in writing, addressed to that party at its registered office (if it is a company) or its principal place of business (in any other case) or such other address as that party may have specified to the other party in writing in accordance with this clause, and shall be delivered personally, sent by pre-paid first class post or other next working day delivery service.

(b) A notice or other communication shall be deemed to have been received: if delivered personally, when left at the address referred to in clause 11.7(a); if sent by pre-paid first class post or other next working day delivery service, at 9.00 am on the second Business Day after posting; if delivered by commercial courier, on the date and at the time that the courier's delivery receipt is signed.

(c) The provisions of this clause shall not apply to the service of any proceedings or other documents in any legal action.

- 11.8 Third party rights: No one other than a party to this Contract shall have any right to enforce any of its terms.

- 11.9 Governing law: The Contract, and any dispute or claim (including non-contractual disputes or claims) arising out of or in connection with it or its subject matter or formation, shall be governed by and construed in accordance with the law of England and Wales.

- 11.10 Jurisdiction: Each party irrevocably agrees that the courts of England and Wales shall have exclusive jurisdiction to settle any dispute or claim (including non-contractual disputes or claims) arising out of or in connection with this Contract or its subject matter or formation.

GENERAL TERMS AND CONDITIONS FOR DELIVERY AND PAYMENT

FRANZ KALDEWEI GMBH & CO. KG

I. General Terms and Conditions

- All KALDEWEI deliveries and services, including consultancy services and future deliveries and services, are made solely on the basis of these Terms and Conditions for Delivery and Payment. The buyer's Terms of Business will not apply even if KALDEWEI has not expressed explicit objection to these terms. KALDEWEI's terms and conditions are deemed to have been acknowledged by the time the goods supplied by KALDEWEI are accepted. The definitive document is KALDEWEI's Terms and Conditions for Delivery and Payment in the valid version in each instance.
- Offers from KALDEWEI are made without obligation. Contractual and other agreements become binding when confirmed in writing by KALDEWEI. The wording of the confirmation alone is decisive. KALDEWEI will not be bound by any supplementary agreements made verbally.
- The information on the subject matter of the delivery or performance as well as the representation of the same (e.g. drawings and illustrations) are only approximate. They do not represent any quality guarantee, but descriptions or identifications of the delivery or performance. Customary variations and those that are effected on the basis of statutory regulations or that represent technical improvements are admissible insofar as they do not impair use for the contractually intended purpose.

II. Scope of delivery, delivery times

- Delivery periods and dates are only ever approximate. They relate to the time of dispatch and are compiled with once notification of readiness for dispatch has been given.
- Delivery periods are extended without prejudice to KALDEWEI's rights arising from delay in fulfilment by the buyer, by the period during which the buyer fails to fulfil his obligations towards KALDEWEI. This applies accordingly to delivery dates.
- Reasonable part deliveries are permitted.
- In the event of Acts of God or other disruptive events which cannot be foreseen at the time of conclusion of the contract (e.g. stoppages of all kinds, transport delays, strikes, lawful lockouts, measures taken by authorities, difficulties in procuring materials or energy, unfavourable weather conditions, or the failure to supply, incorrect or delayed supply by KALDEWEI's suppliers) for which KALDEWEI is not responsible and which make it significantly more difficult or impossible to perform the delivery or service, KALDEWEI will be entitled to withdraw from the contract provided the obstacle is permanent. For obstacles of a temporary nature, the delivery periods for goods or services will be extended or the delivery dates for goods or services put back by the period during which the obstacle is in place with the addition of an appropriate re-start period. Insofar as the buyer cannot be expected to accept the delivery or service as a result of the delay, the buyer will be entitled to withdraw from the contract by immediately informing KALDEWEI in writing of the intent to do so. No claims for compensation for damages will be accepted in these instances.
- Cancellation of orders at customers' request
The following cancellation fees are charged for an order cancellation: Unless otherwise stated in the order confirmation, an order can be cancelled free of charge within one week. After this time, a handling fee of 50 % of the order value is charged.

III. Dispatch and transfer of risk

- Risk passes to the buyer with the transfer of the goods to the haulier or freight carrier, even if carriage paid delivery has been agreed, and at the latest at the point where the goods leave KALDEWEI's plant or warehouse. Where dispatch is delayed for reasons which are not KALDEWEI's responsibility, then the transfer of risk occurs at the time when the notice of readiness for dispatch is issued. Warehousing costs following the transfer of risk are borne by the buyer.
- The form of dispatch and choice of packaging is as KALDEWEI sees fit. If the packaging is returned in perfect condition, with charges prepaid by the sender, this will be credited in full.
- The shipment will be insured against damage in transit and other risks only at the express wish and at the expense of the buyer.

IV. Prices and Terms and Conditions for Payment

- Our prices apply for the scope of delivery and performance contained in our acknowledgements of order. Unless otherwise agreed, prices are in euro ex works or ex warehouse, packaging and incidental charges not included, plus value added tax.
- Unless otherwise agreed, net payment is to be made within 30 days of the date of the invoice; a 3% cash discount will be given on payments made within 8 days of the date of the invoice. The sum to which the discount applies is calculated after deduction of freight and any other costs. This discount is not available to buyers who are in arrears with earlier invoices. Discountable bills of exchange will be accepted only if explicitly agreed, without guarantee for protest, and only in order to secure payment. Discount charges, bank charges and tax on drafts and bills of exchange will be borne by the buyer. Bills of exchange and cheques are deemed paid when cashed.
- Retention of payments because of, or offsetting of payments by, counter-claims by the buyer will only be permitted if the counter-claims are uncontested or have been determined in law.
- If after conclusion of the contract KALDEWEI becomes aware of circumstances, irrespective of whether these circumstances were apparent at the time of concluding the contract or not, which serve to diminish the creditworthiness of the buyer, KALDEWEI will be entitled to execute outstanding deliveries from this and other business only against advance payment or offer of security. If the buyer is unable to meet the request

for advance payment or offer of security, then KALDEWEI will, after an appropriate additional period, be entitled to withdraw from the contract or to demand compensation for damages for non-fulfilment.

V. Reservation of ownership

- KALDEWEI reserves ownership of all goods supplied by the company (reserved goods) until the buyer has settled all obligations arising from the business relationship including any that arise at a future date. In the event of conduct on the part of the buyer that is in violation of the contract, specifically in respect of default in payment, KALDEWEI will be entitled to take back the reserved goods. This does not constitute withdrawal from the contract unless KALDEWEI expressly declares this to be the case. KALDEWEI is entitled to realise the value of the goods once they have been taken back, in which case the proceeds will be credited against the obligations of the buyer, with the deduction of appropriate realisation costs.
 - The buyer is entitled to process the reserved goods in the normal course of business so long as the buyer is not in default in payment. The processing or transformation of the reserved goods is carried out for KALDEWEI as manufacturer in the sense of Article 950 of the German Civil Code (Bürgerliches Gesetzbuch or BGB) with no obligation on KALDEWEI. The processed or transformed goods are deemed to be reserved goods in the sense of Figure 1.
 - Where the buyer processes, joins or mixes the reserved goods with other items which do not belong to KALDEWEI, KALDEWEI is entitled to joint ownership of the new item in the proportion of the invoiced value of the reserved goods to the sum of the invoiced values of the other items used.
 - For the new items produced in accordance with letter a) and for the share in joint ownership arising in accordance with letter b), the conditions relating to reserved goods apply accordingly.
 - The buyer is only entitled to resell the reserved goods in the context of normal conduct of business (e.g. not in a so-called check and bill of exchange procedure). Specifically, the following will apply:
 - Where the buyer allows deferred payment of the purchase price to his purchasers, the buyer reserves right of ownership on the sold goods in respect of his purchasers under the same conditions as KALDEWEI has applied in reserving ownership when supplying the reserved goods. Unless this reservation of ownership is exercised, the buyer is not empowered to resell the reserved goods.
 - The buyer hereby transfers to KALDEWEI the accounts receivable for the purchase price or other claims for payment to which he is entitled as a result of the resale or other retail transaction. They serve as security to the same extent as the reserved goods. The buyer is only entitled and empowered to resell or to make other use of the reserved goods if it has been ensured that the accounts receivable arising therefrom are transferred to KALDEWEI.
 - If the reserved goods are sold on by the buyer together other goods not supplied by KALDEWEI, then settlement of the account receivable arising from the sale will be restricted to the amount of the invoiced value of the reserved goods which have been sold in each instance. Where goods are sold to which KALDEWEI has a share in joint rights of ownership in accordance with Figure 2. b), the account receivable will be settled to the amount of this share in joint rights of ownership.
 - If the transferred account receivable is absorbed into an open account, then the buyer hereby transfers a part of the account balance whose amount corresponds to this account receivable from the open account to KALDEWEI. If interim account balances are drawn out and carry forward has been agreed, then the account receivable due to KALDEWEI under the above regulation arising from the interim account balance will be treated as transferred to KALDEWEI for the next account balance.
 - Until revoked by KALDEWEI, the buyer is empowered to collect the accounts receivable which have been transferred to KALDEWEI. KALDEWEI may not exercise this right to revoke as long as the buyer fulfils his payment obligations under the business relationship with KALDEWEI, does not default in payment, and KALDEWEI are not made aware of any circumstances which serve to considerably diminish the creditworthiness of the buyer. If there are grounds for rescinding revocation, then KALDEWEI may insist that the buyer inform KALDEWEI of the accounts receivable transferred and the debtors cessi, provides KALDEWEI with all necessary information to collect these accounts receivable, passes on the relevant documentation and notifies the debtors of the transfer. In this case, KALDEWEI will also be entitled to notify the debtors of the transfer itself.
 - If the realisable value of the securities which KALDEWEI holds exceeds the secured accounts receivable in total by more than 20%, then KALDEWEI is obliged, at the buyer's request, to release securities of KALDEWEI's choosing to that extent.
 - The buyer must provide information as to the whereabouts of the reserved goods and of the accounts receivable arising from resale at any time requested by KALDEWEI to do so.
 - The rights enjoyed by KALDEWEI according to this Section V. will apply up to and including the complete release from contingent liabilities which KALDEWEI has entered into in the interests of the buyer.
 - The buyer is obliged to insure the reserved goods, adequately and to the reinstatement value, against fire damage, water damage and theft, at his own expense, and to show proof of this to KALDEWEI when requested, specifically by presentation of the insurance policies.

VI. Technical advice

Insofar as KALDEWEI provides technical information or acts to provide advice in the context of its business dealings, this is without legal consideration and excludes any liability.

VII. Warranty

- The product supplied by KALDEWEI is to be carefully inspected on delivery to the buyer. Any visible defects are to be confirmed by the freight carrier. The goods are deemed to be accepted if no notification of defect has been received by KALDEWEI in writing within 5 working days following delivery of the goods or, if the defects were not identifiable via an immediate and careful inspection, within 5 working days following discovery of the defect.
- In the event of defects in the goods supplied by us, we are obliged to subsequently perform our obligations, that is, to remedy the defect or to supply goods free of defects, at our discretion. If such subsequent performance should fail, i.e. in the event of impossibility of performance, unacceptability, refusal or unreasonable delay in rectification of the substitute delivery, the customer may demand a reduction in the purchase price or withdraw from the contract, at his discretion.
- We are only liable for claims for damages due to or in connection with defects in accordance with Section VIII.
- This does not affect claims by the customer insofar as we have provided a guarantee for the quality or durability of the goods supplied. The content of the guarantee undertaking is authoritative for the scope of liability.
- Claims arising from the Product Liability Law and from personal injury are not affected either.

VIII. Liability for compensation for damages on account of fault

- Liability on our part for damages – for whatever legal reason, in particular for reasons of unlawful acts – cannot be accepted, or is restricted, insofar as it is based on fault, in accordance with the following provisions.
 - In the event of slight negligence on the part of KALDEWEI's legal representatives, management staff and persons employed in performing an obligation, KALDEWEI will not be liable insofar as the matter does not involve a breach of essential contractual obligations;
 - In the event of gross negligence on the part of KALDEWEI's non-management staff or other persons employed in performing an obligation, KALDEWEI will not be liable insofar as the matter does not involve the breach of essential contractual obligations;
 - In all other instances KALDEWEI will be liable insofar as KALDEWEI assumes liability for the fault.
- Insofar as KALDEWEI is fundamentally liable according to Figure 1 for compensation for damages, this liability is excluded
 - for damages which are remote in time;
 - for damages which are not foreseeable and not typical for the contract;
 - for damages which can be resolved by the buyer.However, the exclusion of liability does not apply insofar as KALDEWEI is liable for intent. In addition, KALDEWEI's liability is limited to 10 times the consideration for the company's delivery and service.
- Insofar as the risk giving cause for the damage which has occurred is usually insured by the buyer within his sector of activity, liability on the part of KALDEWEI is excluded even in instances of gross fault, but not if there is intent on the part of officers or management staff.
- The above exclusions to and restrictions on liability apply in the same scope to the advantage of KALDEWEI's legal representatives, other organs, management and non-management staff and other persons employed in performing an obligation.
- Insofar as KALDEWEI negligently breaches an essential contractual obligation, the obligation upon KALDEWEI to pay compensation for material or personal damages is limited to the sum insured under its product liability insurance or its third-party liability insurance. KALDEWEI is prepared to allow the person placing the order or contract to view the relevant policy.

IX. Final provisions

- The place of fulfilment is Ahlen/Westphalia (Germany) unless otherwise agreed. The place of jurisdiction is Ahlen/Westphalia or the buyer's company headquarters, as KALDEWEI sees fit. For actions against KALDEWEI, Ahlen/Westphalia is the sole place of jurisdiction.
- Relations between KALDEWEI and the buyer are exclusively subject to the law of the Federal Republic of Germany. The UN Convention on the International Purchase of Goods dated 1.4.1980 does not apply.
- If individual conditions of these Terms and Conditions for Delivery and Payment or of the delivery contract are or become invalid, this will not affect the validity of the other conditions.

D-59206 Ahlen, (Germany) 01. 11. 2009, Franz Kaldewei GmbH & Co. KG

KALDEWEI

KALDEWEI

Franz Kaldewei GmbH & Co. KG
Beckumer Straße 33-35
59229 Ahlen
Deutschland
Tel. +49 2382 785 777
Fax +49 2382 785 200
Internet: www.kaldewei.com

Kaldewei UK Ltd.
Kings Hall, St Ives Business Park
Parsons Green
St Ives
Cambridgeshire PE27 4WY
United Kingdom
freephone 0800 840 9770
international +44 1480 498053
fax +44 1480 493046
email: sales-uk@kaldewei.com